



Sustainable **Cold Solutions**

CO₂ transcritical racks

> **EXTENDED CONFIGURATION UP TO 4 COMPRESSOR MT/IT AND UP TO 3 LT**



BEIJER REF

We know the art of achieving
a perfect temperature.

Eng



STD EQUIPMENT

Inverter on MT leading compressor

Maintenance free high efficiency oil separator

Oil reservoir with minimum level switch

Replaceable oil filter strainer

Electronic oil level regulator for each compressor

High pressure and Medium pressure valve Danfoss CCMTS

Vertical liquid receiver with min, operation, high level sign glass and low level switch

Liquid Injection

Danfoss controller

Common discharge manifold for PRV

Full factory tested and programmed

Design pressure: 120 / 60 / 52 / 30 bar

The lean line is a range of CO₂ units in configuration as MT only or in booster MT/LT featuring the following:

- Easy access to components from one side (possibility to install the unit against a wall);
- Available in indoor or «plug'n cool» version with integrated gas cooler

OPTIONS

2 x Heat recovery (TW & HR)

Gas cooler bypass

Ejector HP/LE and LP

IT-Parallel compressor with Varistep or Inverter

Varistep on MT compressor

Inverter on LT

Inverter on IT

LSPM Motors

AC load (flooded evaporator)

Larger liquid receiver volumes available

Liquid level control (4-20mA)

LT suction accumulator

Suction filter strainer MT-LT installed

LTGC with 3 way bypass valve

Outdoor enclosure (reach in)

Low noise outdoor enclosure (reach in)

PNC outdoor version

Back up HP/MP valves

Back up controller

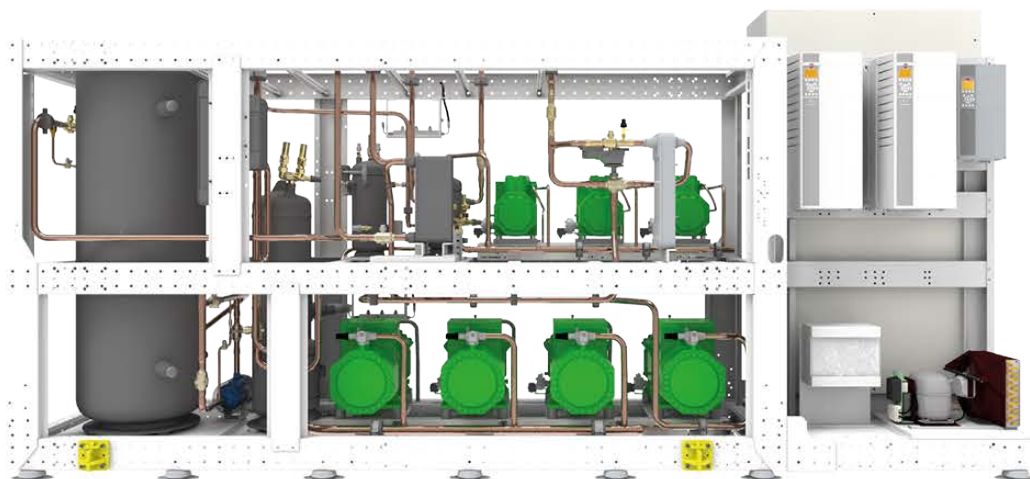
Energy meter

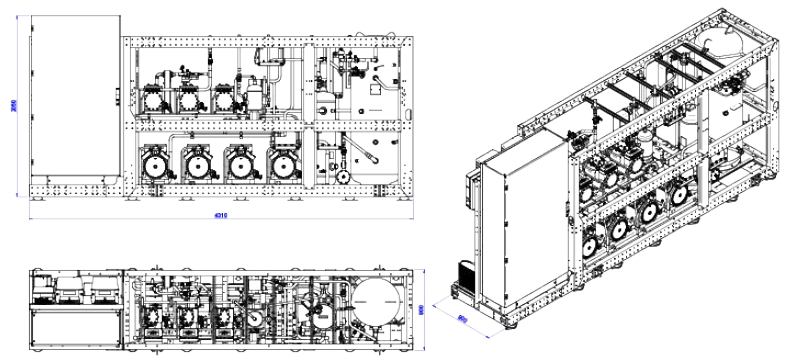
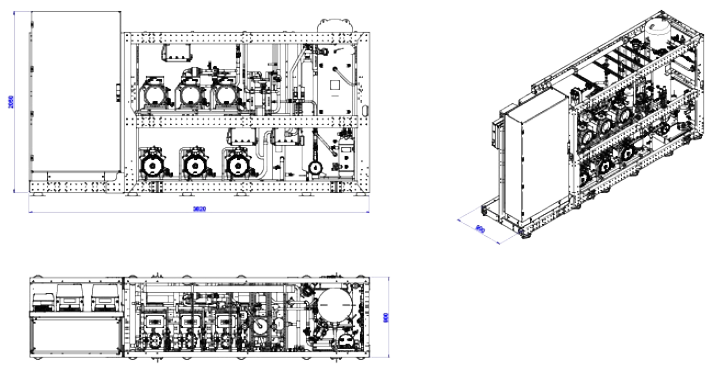
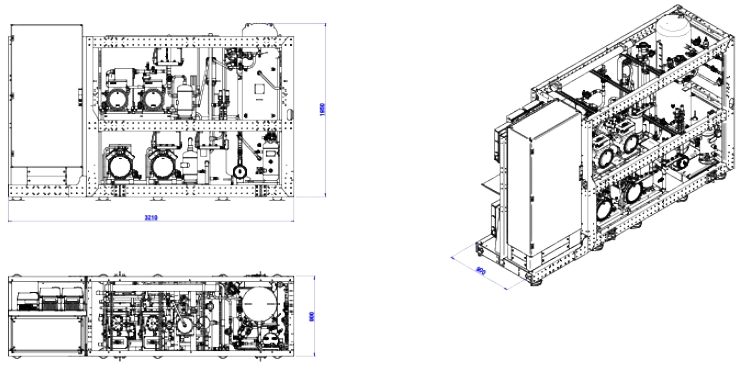
Electrical cabinet remote (demontable with extra cable)

130 bar HP / 80 bar MP / 60 bar suction MT and LT

	MWL MTDX	MWL MTDX + BT
Numero of Compressors MT(IT) / LT	4 (2)	4 (1)/3 (2 if Ejector LE installed)
Max cooling capacity MT kW	170	150
Max cooling capacity LT kW		50
Max AC load KW	30	30
Liquid receiver volume [litres]		70-124-170-170AC 240AC - 300
Sunction line connection MT [inch]	1"3/8 - 1"5/8	1"3/8 - 1"5/8
Sunction line connection LT [inch]	-	7/8" - 1"1/8
Liquid line connection [inch]	7/8" - 1"3/8	7/8" - 1"3/8
Frenquency Inverter MT [Hz]	25-70	25-70
Frenquency Inverter LT (option) [Hz]	30-70	30-70
Electrical supply compressors / mainline [V/ph/Hz]	400/3+N/50	400/3+N/50
Max dimensions LxWxH (mm)		
2+2	3210x900x1950	3210x900x1950
3+3	3820x900x2050	3820x900x2050
4+3	4310x900x2050	4310x900x2050

PRELIMINARY DATA





Products / Applications Range

Commercial Refrigeration

- Small Shops
- Restaurants
- Catering
- Petrol Stations

- Convenience stores
- Express supermarkets

- Supermarkets
- Coldrooms for food storing

Industrial Refrigeration

- Food processes
- Hypermarkets
- Logistic Centers

BOOSTER - MWT

LEAN BOOSTER - MWL

SMART BOOSTER - MWS