

FREDDOX VACUOMETER FD-VG90



The Freddox FD-VG90 is your solution for precise vacuum measurement within your circuits, ensuring moisture-free and optimal conditions before charging. This tool offers a high-quality sensor that guarantees accurate results.

The Freddox Vacuum Meter achieves measurements with remarkable precision, accurate to 0.1 microns. Its built-in target alert function notifies you promptly once the desired vacuum level has been achieved.

Designed with portability in mind, the FD-VG90 features a compact form and offers an extended battery life. It includes an automatic power-off function, making it an indispensable companion for your day-to-day operations.

Features

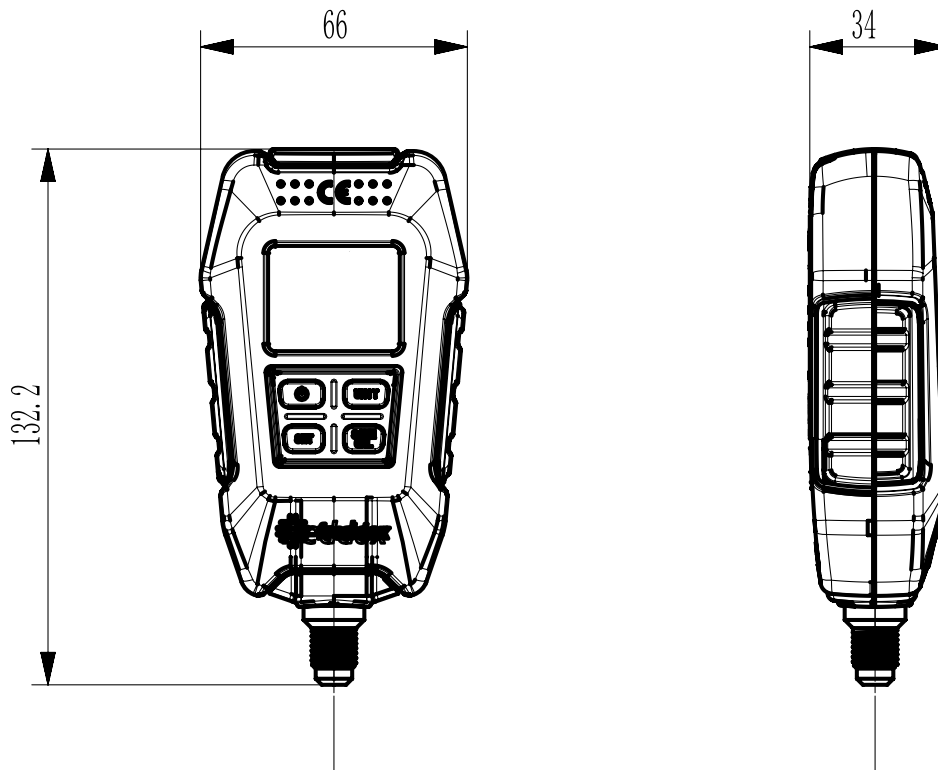
- Range 99 999Pa – 0.1Pa
- Target vacuum alarm function
- System vacuum leak detection
- Identify advantage/disadvantage of vacuum degree
- Automatic shut-down
- LCD display with Backlight resolution 0.1Pa
- Battery power display
- 3 modes of calibration (atmosphere, ultimate, custom)
- Vacuum unit : Pa, mbar, mmHg, micron
- Including transport bag, connector



TECHNICAL DATA

Freddox Vacuumeter

Model	FD-VD90
BRIC Code	4401-FDVG90
Range	99999a~0.Pa, 740000~0.7 Micron
Accuracy	0.1Pa~1000Pa; Reading \pm 5% (at 20°C)
Resolution	0.1Pa (<10Pa); 1Pa(<100P); 10Pa(<1000Pa)
Unit	Pa, mBar, mmHg, mTorr, InHg, Microns
Battery Life	40 Hours (3 x AA Battery)
Maximum Overload Pressure	0.5 Mpa/72 Psi
Operating Temperature	-5 ~5°C (-23 ~122°F)
Buzzer Alarm	90db, shut down after 10 seconds
Inlet Port	7/16" ~20UNF (1/4" SAE)



Manufacturer reserves the right to change any product specifications without notice.: BeijerRefAB_Vacuometer_Freddox_23_EN