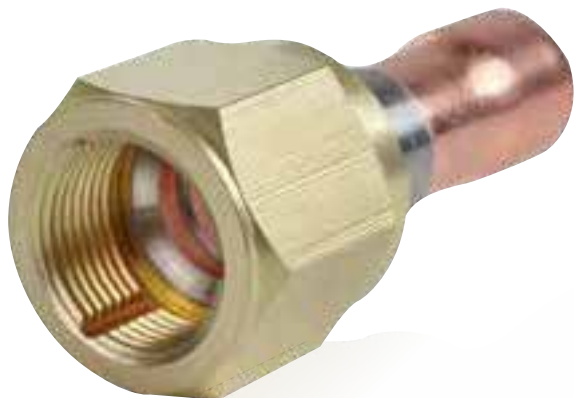


ADAPTER FLARE SAE - TUBE FITTINGS

FA / FAS



Freddox FA and FAS fittings is a patented solution for easy and quick replacement of refrigeration circuit components fitted with SAE screw fittings in refrigeration and air conditioning installations.

The flared cone of a traditional pipe/nut connection is replaced by a copper shoulder cone which serves as a gasket. The copper gasket is fully contained within the nut body and is guided into the SAE seat by a stainless-steel core therefore ensuring that there are no deformations or cracks in the seal, providing a leak proof connection.

FA and FAS Freddox fittings are constructed to eliminate weak points of traditional flaring and copper pipe connections mitigating refrigerant leaks.

FA models: Flare SAE – ODF with copper/copper brazing using low silver content.

FAS models: Flare SAE – ODS especially designed for copper/copper press fitting permanent joint.

Features

- Quick and easy replacement of line components
- Leakproof connection with high level of sealing to avoid refrigerant leaks
- Brass nut with anti-freeze grooves for use in humid environments
- Maximum working pressure: 48 bar
- Conformity to 2014/68/EU (PED)- Art 4§3
- Supplied with copper gasket.



TECHNICAL DATA

Flare SAE - ODF to Braze

	Model	BRIC	Diam SAE	Diam Tube	L (mm)	I (mm)	S (mm)	Mounting Torque (Nm)
Inch	FA-2	4401-310020	1/4"	1/4"	45	5	17	20
	FA-3	4401-310030	3/8"	3/8"	45	8	22	30
	FA-4	4401-310040	1/2"	1/2"	54	9	24	60
	FA-5	4401-310050	5/8"	5/8"	57	11	27	100
	FA-6	4401-310060	3/4"	3/4"	68	13	36	200
	FA-7	4401-310070	7/8"	7/8"	87	14	41	300
	Metric	FA-2M	4401-311022	1/4"	6	45	6	17
FA-3M		4401-311032	3/8"	10	45	9	22	30
FA-4M		4401-311042	1/2"	12	54	10	24	60
FA-5M		4401-311052	5/8"	16	68	13	27	100
FA-6M		4401-311062	3/4"	18	68	15	36	200
FA-7M		4401-311072	7/8"	22	87	17	41	300

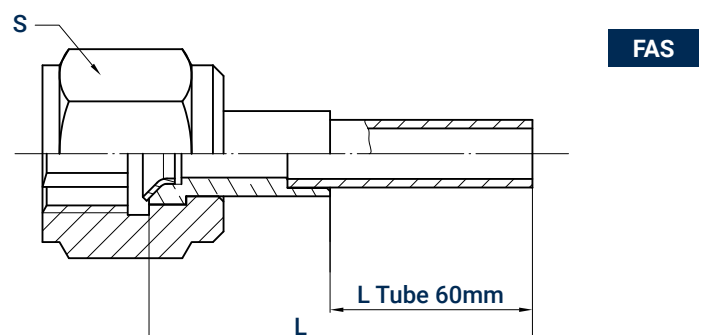
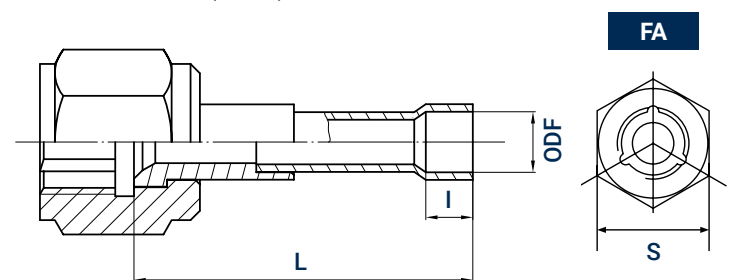
Flare SAE - Tube 60mm for press fittings

Model	BRIC	Diam SAE	Diam Tube	L (mm)	L Tube (mm)	S (mm)	Mounting Torque (Nm)
FAS-2	4401-315020	1/4"	1/4"	78.50	60	17	20
FAS-3	4401-315030	3/8"	3/8"	80	60	22	30
FAS-4	4401-315040	1/2"	1/2"	85.50	60	24	60
FAS-5	4401-315050	5/8"	5/8"	88.50	60	27	100
FAS-6	4401-315060	3/4"	3/4"	93	60	36	200
FAS-7	4401-315070	7/8"	7/8"	98.50	60	41	300

Gasket

Model	BRIC	Diam SAE
TR-2	4401-317020	1/4"
TR-3	4401-317030	3/8"
TR-4	4401-317040	1/2"
TR-5	4401-317050	5/8"
TR-6	4401-317060	3/4"
TR-7	4401-317070	7/8"

Dimensions (mm)



Manufacturer reserves the right to change any product specifications without notice.: BeijerRefAB_FA&FASFittings_Freddox_23_EN