

SPIDER 39 T

TRACKED AERIAL WORKING PLATFORMS

EN



PL  **TFORM**
B A S K E T

RAISING THE STANDARD

Made in Italy



SERIES SPIDER 39 T

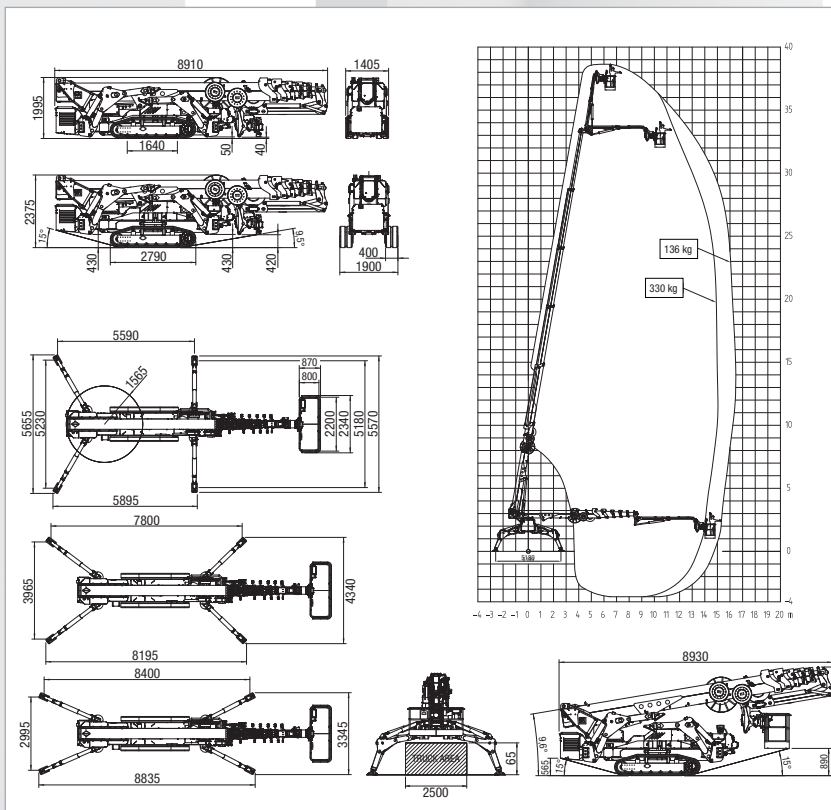
Stability at high altitude

- Automatic stabilization and automatic storage device
- Bi energy Diesel+ Lithium Ion batteries available on demand
- Radio remote control, with a selector fast/slow for the drive
- Easy maintenance
- Simple and intuitive on-board equipment
- Diagnostics with display installed on board

- Reduced overall dimensions
- Double telescopic articulated boom for an increased velocity while working at height



campbellair.com 43722



TECHNICAL SPECIFICATIONS		STD	ED
Maximum working height	m	38,64	
Floor height	m	36,54	
Maximum side outreach	m	16,68	
Rotation angle of the tower (endless)	°	360	
Aluminium basket dimensions	m	2,34x0,87	
Basket rotation angle	°	90+90	
Maximum capacity of basket	Kg	330	
Length closed	m	8,91	
Minimum width closed	m	1,41	
Minimum height closed	m	1,99	
Overall dimensions	Wide	5,23 x 5,59	
Stabilization	Narrow	3,96 x 7,80	
Maximum horizontal inclination	degrees/%	15° (27%)	
Maximum side inclination	degrees/%	17° (31%)	
Maximum speed	Km/h	1,5	1,5
WEIGHTS		STD	ED
Weight in work conditions*	Kg	11900*	11970*
Ground pressure stowed machine	KN/m ²	5,60	5,63
Ground pressure when on stabilizers	KN/m ²	3,99	4,02
Max point load on one stabilizer	KN	93,6	94,2
POWER		STD	ED
D1803 Kubota diesel engine	HP/rpm	37/2700	37/2700
Electric motor 380 Vac	kW	11	-
Electric Motor 48 Vdc	kW	-	5
Traction battery capacity	48Vdc Lithium Ion	Ah	200
Battery charger	lead acid lithium ion	Ah	- 100/50

* Subject to change depending on configuration.