

AXOLIFT: Offering smart and safe alternatives to ladders

Manulift 200

Up to 4 meters in total safety

www.axolift.com

MANULIFT 200: A completely eco-friendly and zero-emission machine!



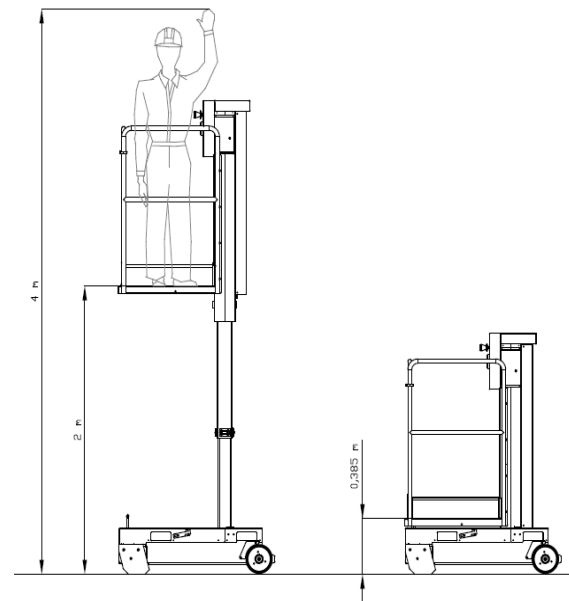
- Without batteries.
- No power consumption or need to be recharged.
- Without CO2 emission or gas leakage.
- No hydraulic system therefore no risk of leakage.
- Maintenance is virtually non-existent so the costs are reduced.
- Possible use 24h/24 7d/7.

MANULIFT 200 platform is a non-motorized vertical mast platform that allows you to work in complete safety up to a working height maximum of 4.00 m. With its mini dimensions, light weight and pivoting front wheel, the MANULIFT 200 platform is easily maneuverable by one person only.

Access to the MANULIFT 200 basket is easy: a simple 30 cm step. to cross. The self-locking "saloon" type doors with total opening and in stainless steel are the guarantor of increased longevity even in use Once mounted in the platform, simply turn the handle to intensive up or down (the movement is assisted and therefore effortless).

SAFETY:

- Emergency drop-down bar.
- Automatic locking of rear wheels in high position.
- Self-locking INOX access door.
- Foot brake on front wheel.
- Spirit level for horizontal control.



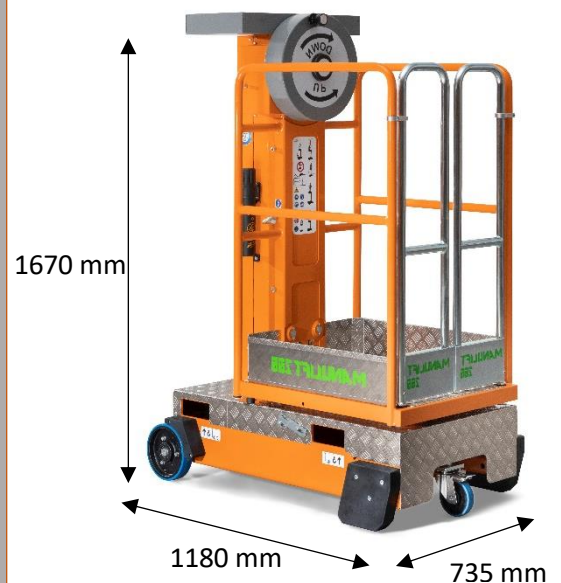
MANULIFT 200 technical data

Operating dimensions:

| | |
|--|---------------------|
| Max. Working Height: | 4,00 m |
| Max. Height Of The Base: | 2,00 m |
| Max. Height Of The Tablet: | 3,35 m |
| Max. Load Capacity On The Platform: | 125kg / 1 pers. |
| Max. Load Capacity On The Tablet: | 20 kg |
| Max. Lateral Load: | 200 N |
| Maximum Force To Be Exerted On The Handle: | -5 daN |
| Allowable Cant: | 0°- Internal Use |
| Allowable Wind: | 0km/h- Internal Use |
| Front Wheel: | 185,1 mm |
| Rear Wheel: | 98 mm |
| Ground Clearance: | 390 mm |
| High resistance paint Orange RAL 2000 | |
| Marking and conformity CE- Compliance with the standard EN 280 | |

Dimensions and Weight:

| | |
|------------------------------------|--------------------|
| Dimensions Of The Machine: | 1180 x735 x1670 mm |
| Dimensions Of The Platform: | 740 x645 mm |
| Dimensions Of The Tablet: | 580 x300 mm |
| Weight Of The Machine: | 275 kg |
| Weight Of The Machine With Charge: | 400 kg |



AXOLIFT BY GROMET

Via San Francesco, 10, 36020, Pove del Grappa, VI,
Italy

+39 0424 58 0783

➤ info@axolift.com
➤ www.axolift.com