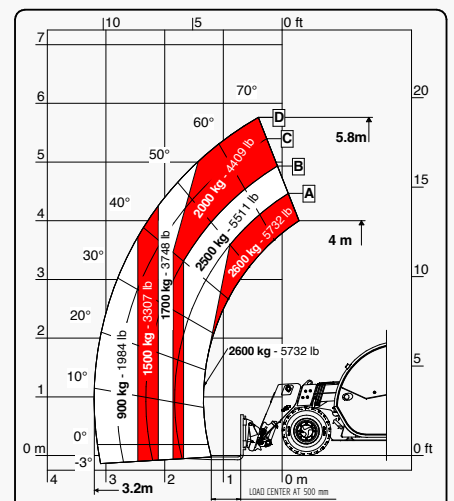
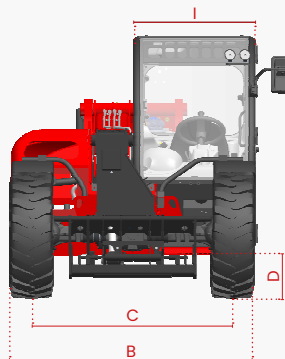
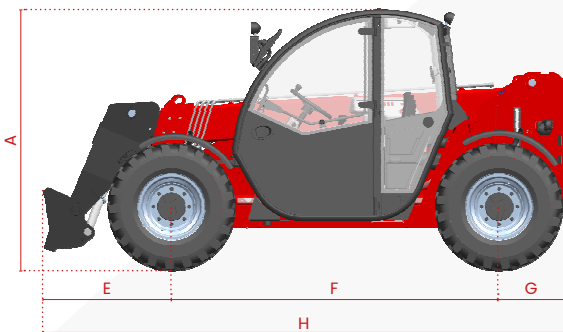


# 6.26 SMALL RANGE



It brings to the attention of all potential customers, all recipients, and to the maximum extent possible, external interlocutors, that Faresin Industries S.p.A. adopts a general Disclaimer regarding the description of the technical and functional characteristics of its machineries, as well as the manner of their use, also with regard to their safety. The Disclaimer must be understood as having a general scope, and therefore Faresin Industries s.p.a. invites to know it, also by accessing the website: [www.faresindustries.com](http://www.faresindustries.com)



**FARESIN.COM**



# 6.26 SMALL RANGE

## TECHNICAL FEATURES

MODELS		6.26
<b>DIMENSIONS</b>		
[A] Height	mm	1935
[B] Width	mm	1890
[C] Gauge	mm	1550
[D] Ground clearance	mm	220
[E] Front overhang	mm	990
[F] Pitch	mm	2525
[G] Rear overhang	mm	520
[H] Length without tow hitch	mm	4035
[I] Cabin width	mm	960
<b>WEIGHT</b>		
Classic 52	kg	4700
<b>DETAILS</b>		
Number of extracting sections	nr	1
Max capacity	kg	2600
Max lifting height	m	5,9
Max horizontal boom extension	m	3,2
Boom extension at max height	m	0,3
Swinging Angle	°	155
<b>TANK CAPACITY</b>		
Hydraulic oil tank	l	80
Diesel tank	l	70
<b>CONNECTION FOR EQUIPMENT</b>		
FH		●
EURO		○

NOTE: All dimensions defined on model with wheels 12-16,5

● Standard    ○ Optional    - Not available



CONFIGURATION		CLASSIC 52
<b>TRANSMISSION</b>		
Hydrostatic		single gear
Speed	km/h	30
<b>ENGINE STAGE V</b>		
Builder		Yanmar
Power	kw/hp	51,7/69,3
Aftertreatment system		DOC + DPF
Drawbar pull	daN	3530
<b>HYDRAULIC</b>		
Pump type		gears pump
Hydraulic capacity	l/bar	80/230
<b>TYRES</b>		
12-16,5		●
12,5-18		○
435/50 19.5		○
Turning radius	m	3,25
<b>OTHER</b>		
Joystick		mechanical-electro proportional
Quick coupling		○
Electro-proportional double acting rear hydraulic connection		○
Front and rear LED lights		○
Rear trailer lights socket		○
6 t fixed tow hook		○
Engine water pre-heating		○
Air conditioning		○
Floating boom		○
Boom suspension		○
Manual 6-way diverter		○
PEB (Boom Electric Socket)		○
Creeper		○
Front constant flow		○
Bucket mode		●

