



How does an electric water vapor fireplace work?

It is the subtle blend of three components, namely ultra-fine water vapor, the light from colored LEDs and the creation of different air pressures that allow real colored flames to be obtained with so much realism.

Produced by a “transducer” (or mist maker), the ultrasounds are mechanical waves that will vibrate water (inaudible) turning it into ultra-fine water vapor. This water vapour is propelled in several ways without the use of convection heating (AFIRE patents) into specially adapted ducts. It is then dissipated into the ambient air and illuminated by different kinds of LEDs (AFIRE patents).

It should be noted that ultra-fine water vapor (only a few microns) is immediately absorbed by the ambient air. **The water vapor does not condense and does not produce moisture on adjacent walls.** This is often referred to as dry water vapour. This technical system produces cold flames that are so realistic that it is impossible to tell them apart from traditional flames!





What are the advantages of an electric water vapor fireplace insert?

How does an electric water vapor fireplace work? Now, we understand the technical principle of operation, but what are its advantages compared to other appliances?

1- 100% safety

First of all, **we can say that the safety of the 3D water vapor fireplace is total.** The flames, in fact, are cold and therefore present no danger. It is also the preferred fireplace of places receiving the public (fireplace for hotels, restaurants, businesses etc.). It is also the ideal fireplace for apartments in buildings that do not allow any hot flames in their safety regulations. But it is also the ideal fireplace for families with children that do not wish to take any risk with fire.

2- Modern fireplace without constraints

Secondly, we need to mention the **simplicity of installation, operation and maintenance** of a 3D insert. This steam fireplace is without constraints and consumes only tap water. This is a very important advantage when one thinks about the difficulties of supplying fossil fuels. On the other hand, it is a modern fireplace with high-tech controls: remote control, an app, buttons on the device, deported control (dry contact for home-automation applications), etc.

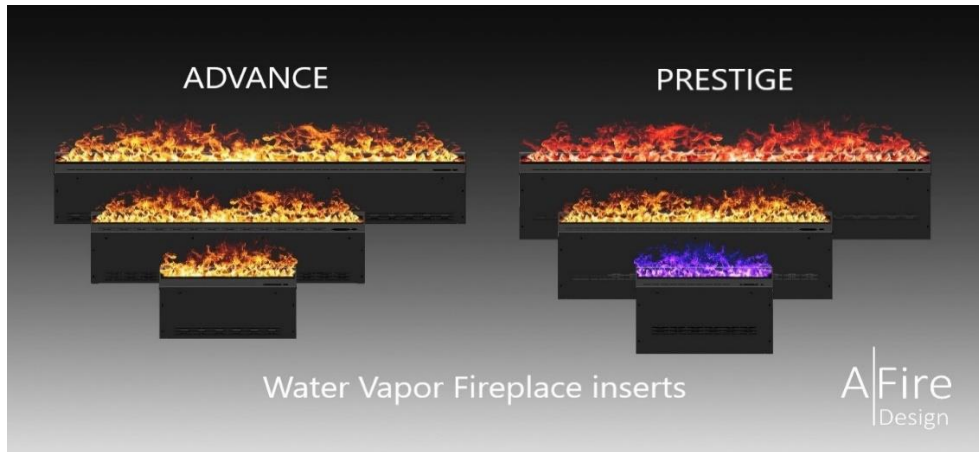
3- Eco-friendly fireplace

We can really talk about an **eco-friendly fireplace** in every sense of the term. Firstly, because it only uses water. And then because a 3D fireplace does not produce any harmful combustion gases. It gives off no unpleasant odours (aromatic compounds related to combustion), carbon monoxide or other polluting combustion residues. The water vapour fireplace insert also has a slightly humidifying effect that is beneficial to comfortable breathing when rooms are rendered too dry by the heating.

4- Economical fireplace

Of course, the purchase price of a water vapor fireplace remains comparable to traditional fireplaces. It is important to realize that its cost of operation is practically equal to zero. This is a huge difference and one that makes the **steam fireplace the most economical appliance** in terms of its annual cost. We do not hesitate to light a fire produced by tap water.

1. AFIRE WATER ADVANCE
2. AFIRE WATER PRESTIGE



1. AFIRE WATER ADVANCE AWA



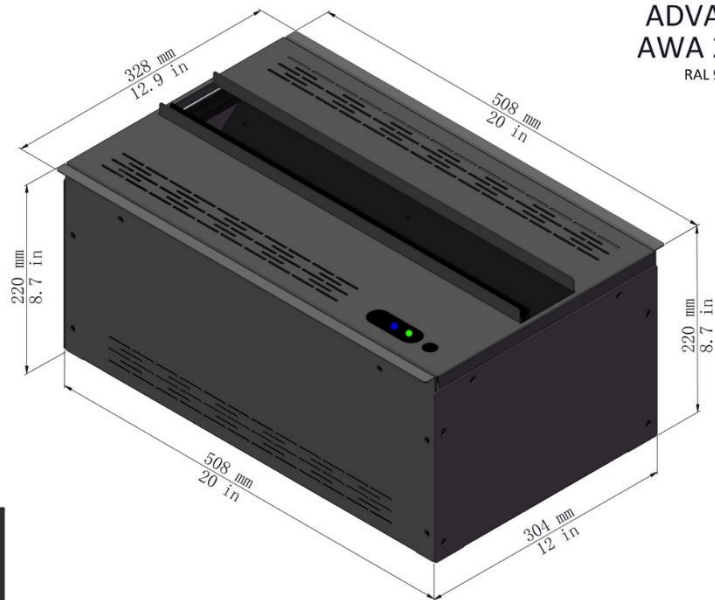
Technical specifications

- Satin black insert (RAL 9005)
- Remote control – button on the device
- Contact for smart-home applications (dry contact)
- Adjust flame height and speed
- UVC air and water disinfection
- Manual filling (no water supply line)
- Automatic filling via integrated pump (no water supply line)
- Manual draining (no water supply line)
- Natural orange flames
- By 50 cm segments | 20 in
- 50-100-150-200-250-300-350-400-450-500 centimeters and more
- 20-40-60-80-100-120-140-160-180-200 inches and more



TECHNICAL DATA AFIRE WATER ADVANCE & PRESTIGE

ADVANCE - AWA 20-50 50 cm



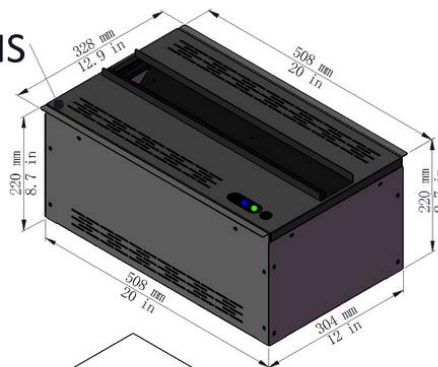
ADVANCE
AWA 20-50
RAL 9005

4



HOUSING

PRODUCT DIMENSIONS



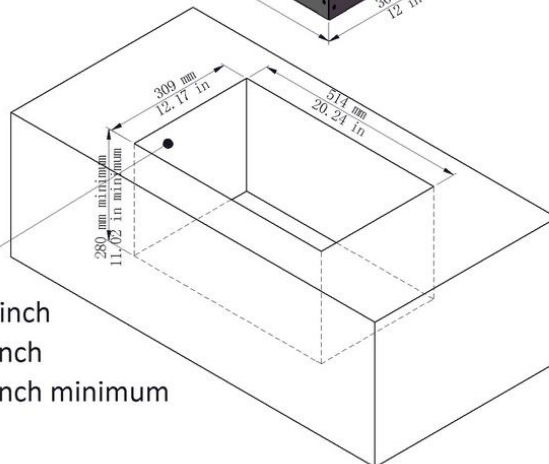
ADVANCE
AWA 20-50
RAL 9005



24V Adapter

HOUSING

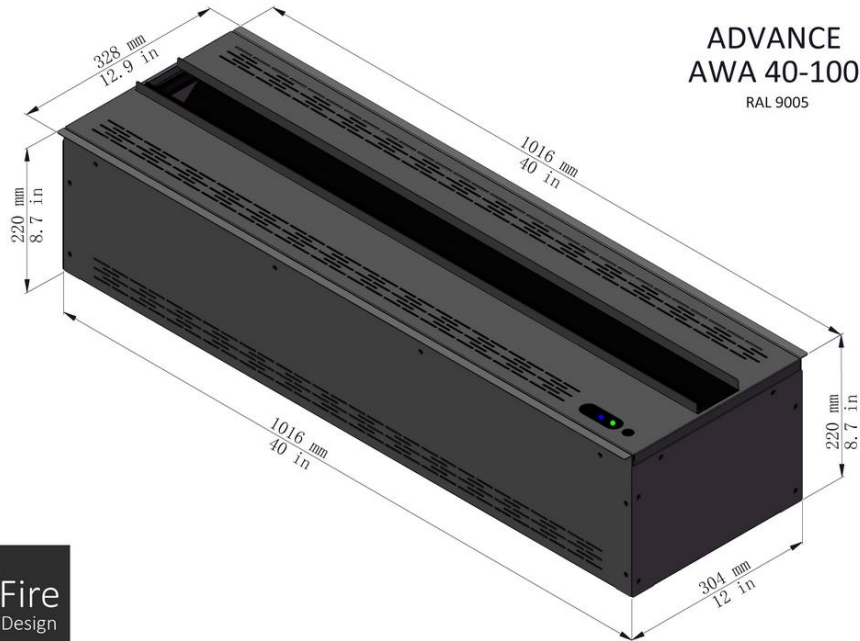
Length: 514 mm /20.24 inch
Width: 309 mm /12.17 inch
Depth: 280 mm /11.02 inch minimum



Tank capacity: 2 L - Run time: 20 h – Power: 40 W – Weight : 12kg

TECHNICAL DATA AFIRE WATER ADVANCE & PRESTIGE

ADVANCE - AWA 40-100 100 cm

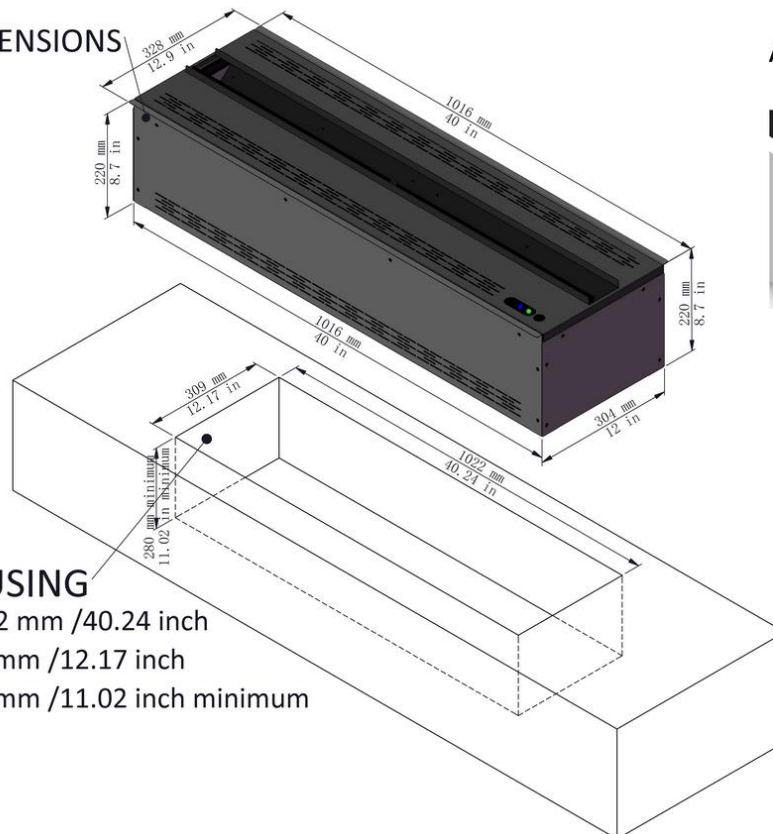


5



HOUSING

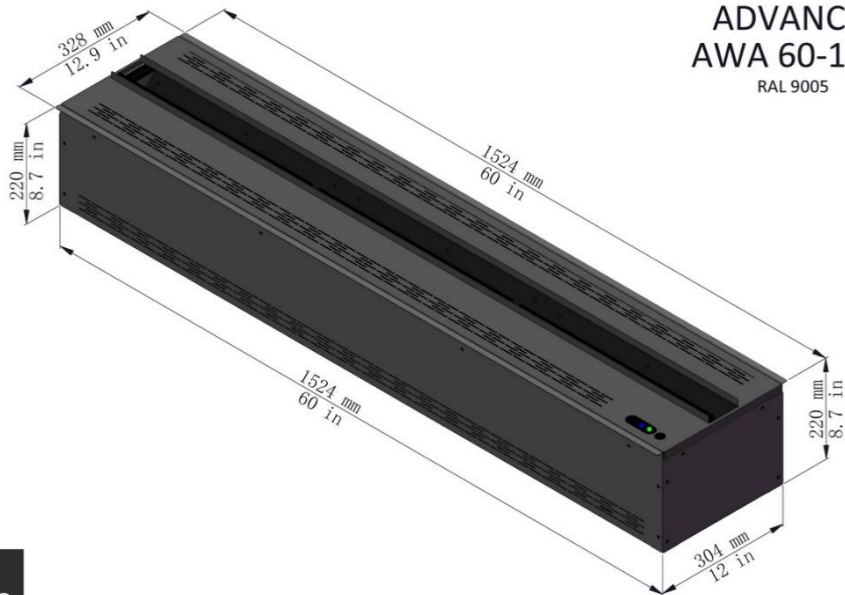
PRODUCT DIMENSIONS



Tank capacity: 4 L - Run time: 20 h – Power: 87 W - Weight: 22 kg

TECHNICAL DATA AFIRE WATER ADVANCE & PRESTIGE

ADVANCE - AWA 60-150

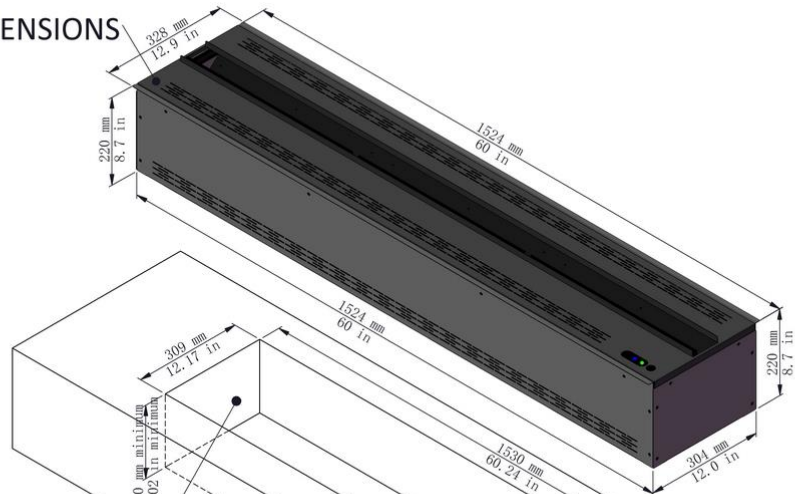


ADVANCE
AWA 60-150
RAL 9005



HOUSING

PRODUCT DIMENSIONS



ADVANCE
AWA 60-150
RAL 9005



24V Adapter

HOUSING

Length: 1530 mm /60.24 inch
Width: 309 mm /12.17 inch
Depth: 280 mm /11.02 inch minimum



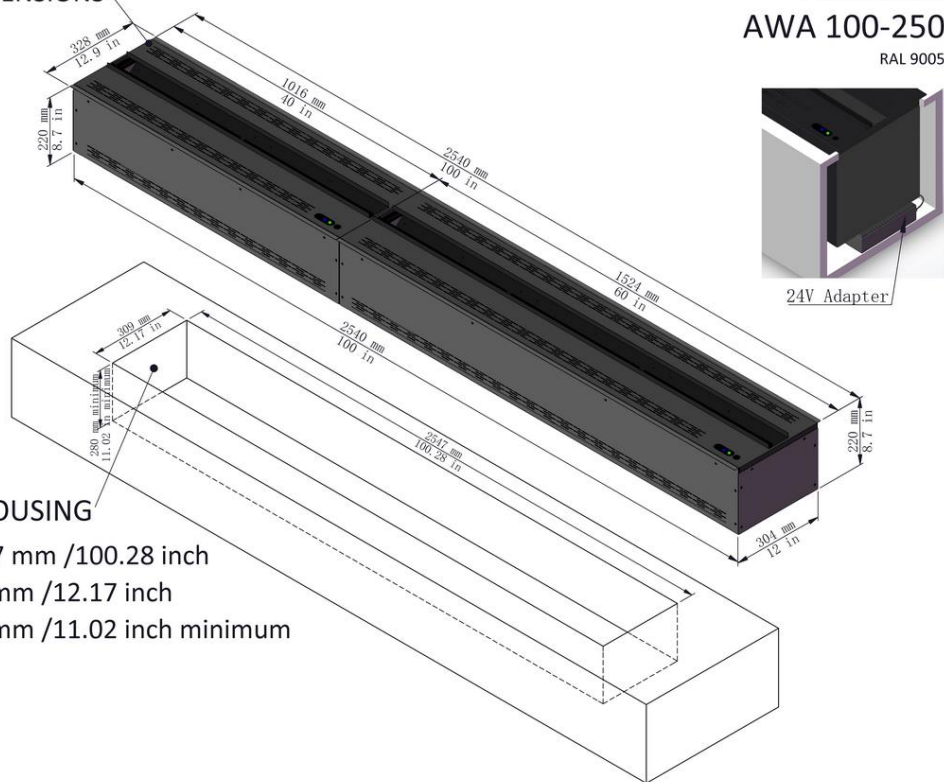
Tank capacity: 6 L – Run time: 20 h – Power: 125 W - Weight: 32 kg

AWA ADVANCE continuous lines of fire

Modules: 200 – 250 – 300 – 350 – 400 – 450 – 500 – 550 – 600 centimeters and more
 Modules : 80-100-120-140-160-180-200-220-240 inches and more

To install an XXL fireplace, just assemble the modular water vapor inserts from the AFIREWATER ADVANCE line. You can then create **a continuous line of fire**. Since it meets the strictest safety standards, 3D cold water vapor fire can be installed anywhere: in large rooms, in spaces that are open to the public, in hotels, restaurants, bars, businesses, saunas, etc.

PRODUCT DIMENSIONS



Installation

Connect the 24V charger provided and install the device (comes with the standard plug for your country)

Fill the tank manually

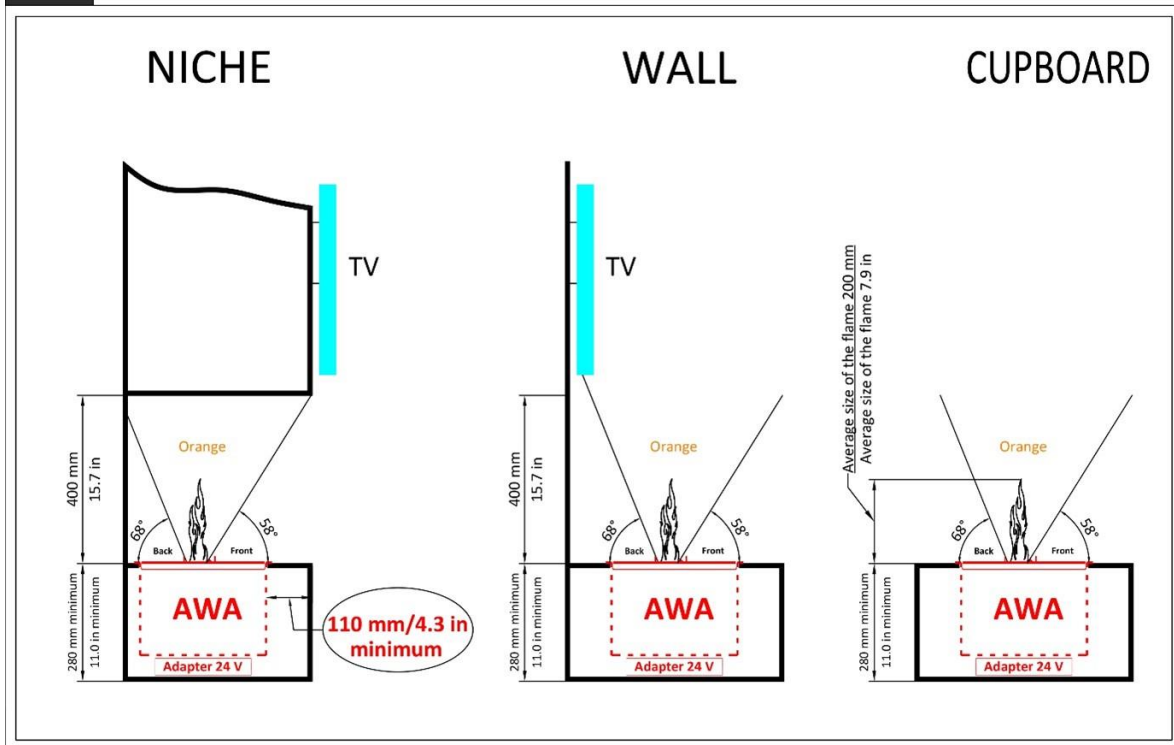
You can fill the tank with tap water. If your tap water is very hard, you should use a water softener or bottled mineral water.

Manual filling: With AFIREWATER ADVANCE, just connect the hose provided to the device and immerse it in a bottle or container of water. Just press the fill button to automatically engage the pump, which will stop once the tank is full (no water supply line).

No need to buy fuel!

Installation methods

MOUNTING - AWA ADVANCE



Controls





2. AFIRE WATER PRESTIGE AWPR

Technical specifications

Satin black insert (RAL 9005) - Remote control - Button on the device

Contact for smart-home applications (dry contact)

Adjust flame height and speed

UVC air and water disinfection

Smartphone app

Manual filling (no water supply line)

Automatic filling via integrated pump (no water supply line)

Direct plumbing option (water supply line)

Automatic draining via integrated pump (no water supply line)

Adjust colors – natural orange flames + 15 colors + Light effects

By 50 cm segments | 20 in : 50-100-150-200-250-300-350-400-450-500 centimeters and more

20-40-60-80-100-120-140-160-180-200 inches and more

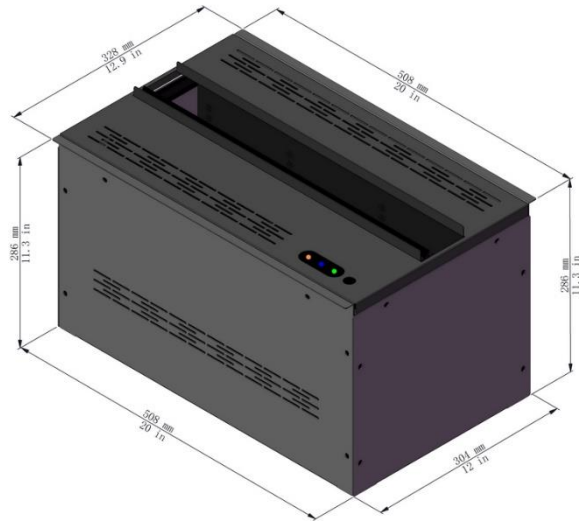


TECHNICAL DATA

AFIRE WATER ADVANCE & PRESTIGE

PRESTIGE - AWPR 20-50

PRESTIGE
AWPR 20-50
RAL 9005

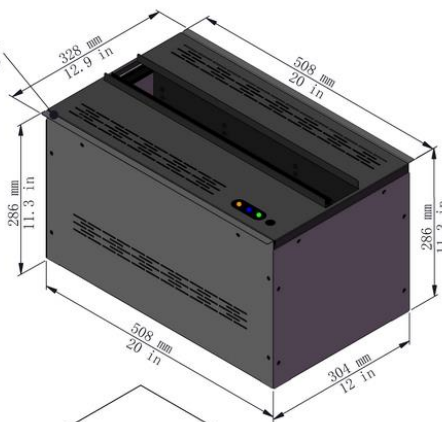


10



HOUSING

PRODUCT DIMENSIONS



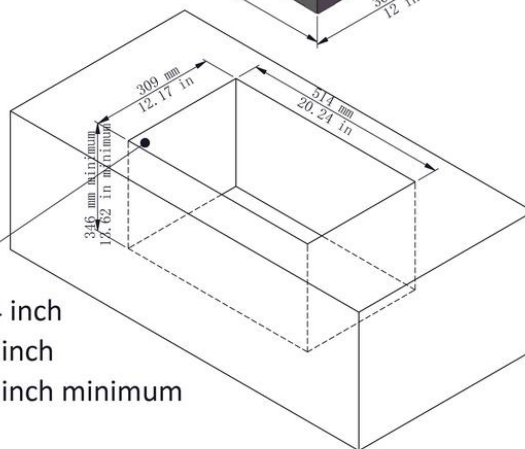
PRESTIGE
AWPR 20-50
RAL 9005



24V Adapter

HOUSING

Length: 514 mm /20.24 inch
Width: 309 mm /12.17 inch
Depth: 346 mm /13.62 inch minimum



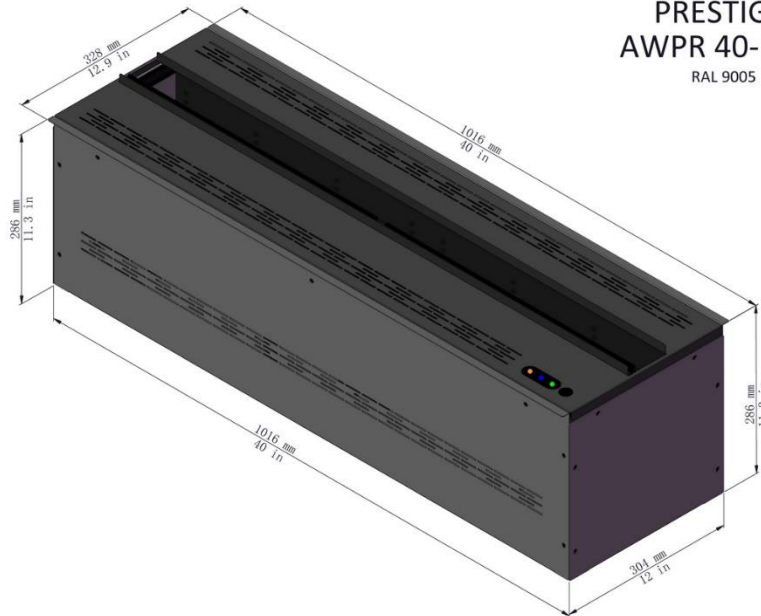
Tank capacity: 2 L - Run time: 20 h – Power: 65 W - Weight: 16 kg

TECHNICAL DATA

AFIRE WATER ADVANCE & PRESTIGE

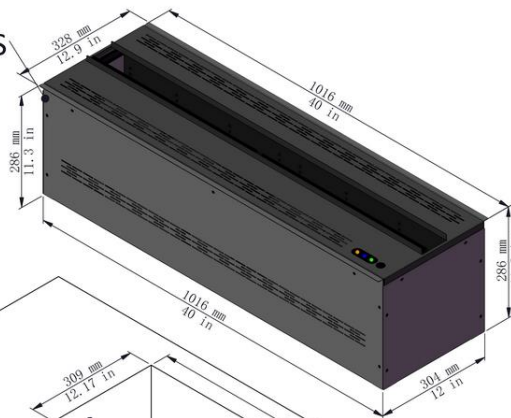
PRESTIGE - AWPR 40-100

PRESTIGE
AWPR 40-100
RAL 9005



HOUSING

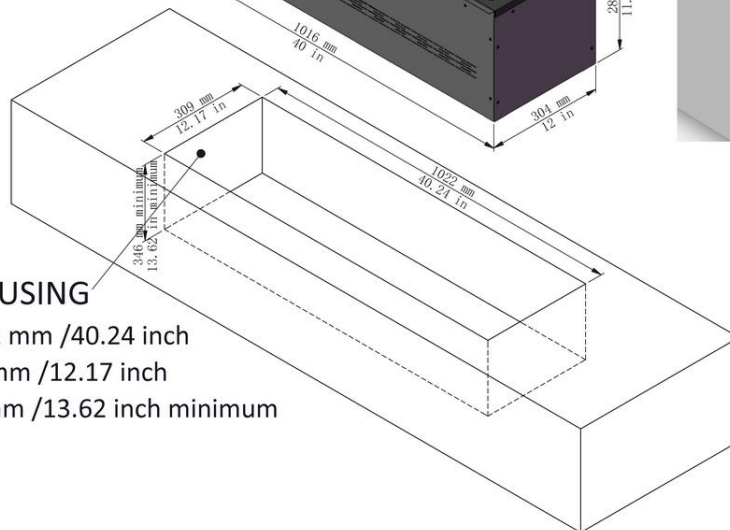
PRODUCT DIMENSIONS



PRESTIGE
AWPR 40-100
RAL 9005



24V Adapter



HOUSING

Length: 1022 mm /40.24 inch
Width: 309 mm /12.17 inch
Depth: 346 mm /13.62 inch minimum



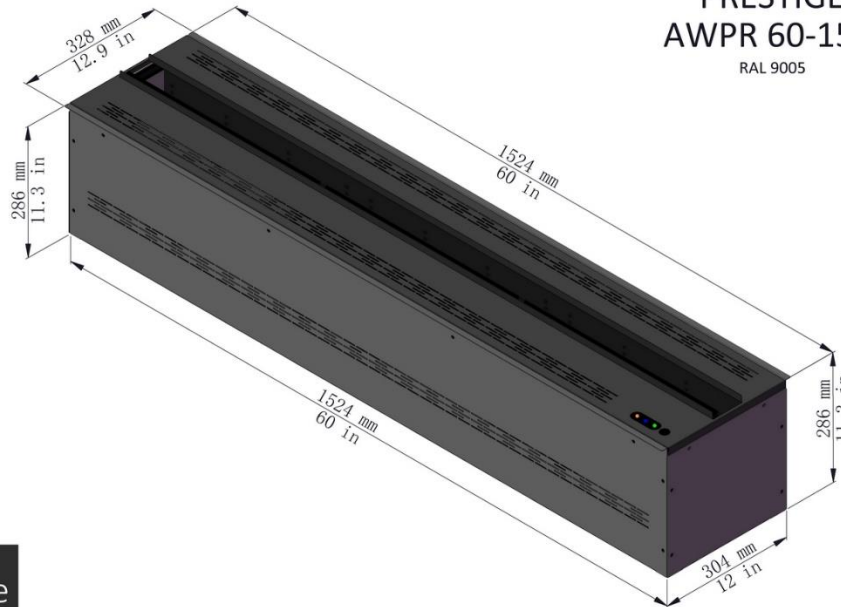
Tank capacity: 4 L - Run time: 20 h – Power: 130 W - Weight: 27 kg

TECHNICAL DATA AFIRE WATER ADVANCE & PRESTIGE

PRESTIGE - AWPR 60-150

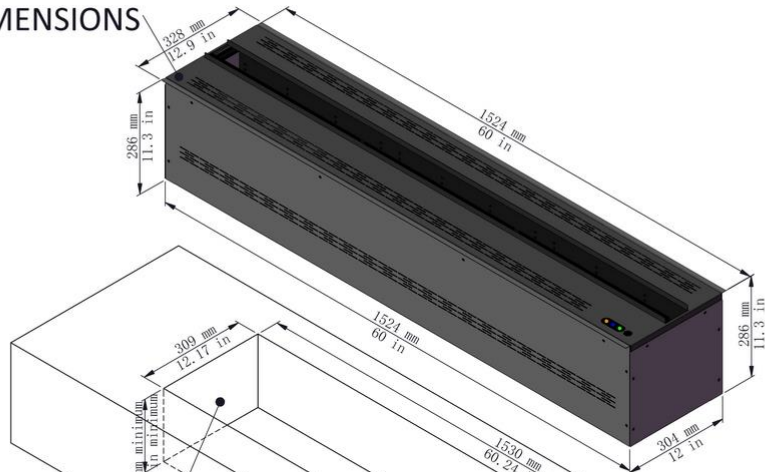
PRESTIGE
AWPR 60-150

RAL 9005



HOUSING

PRODUCT DIMENSIONS



PRESTIGE
AWPR 60-150

RAL 9005



24V Adapter

HOUSING

Length: 1530 mm /60.24 inch
Width: 309 mm /12.17 inch
Depth: 346 mm /13.62 inch minimum



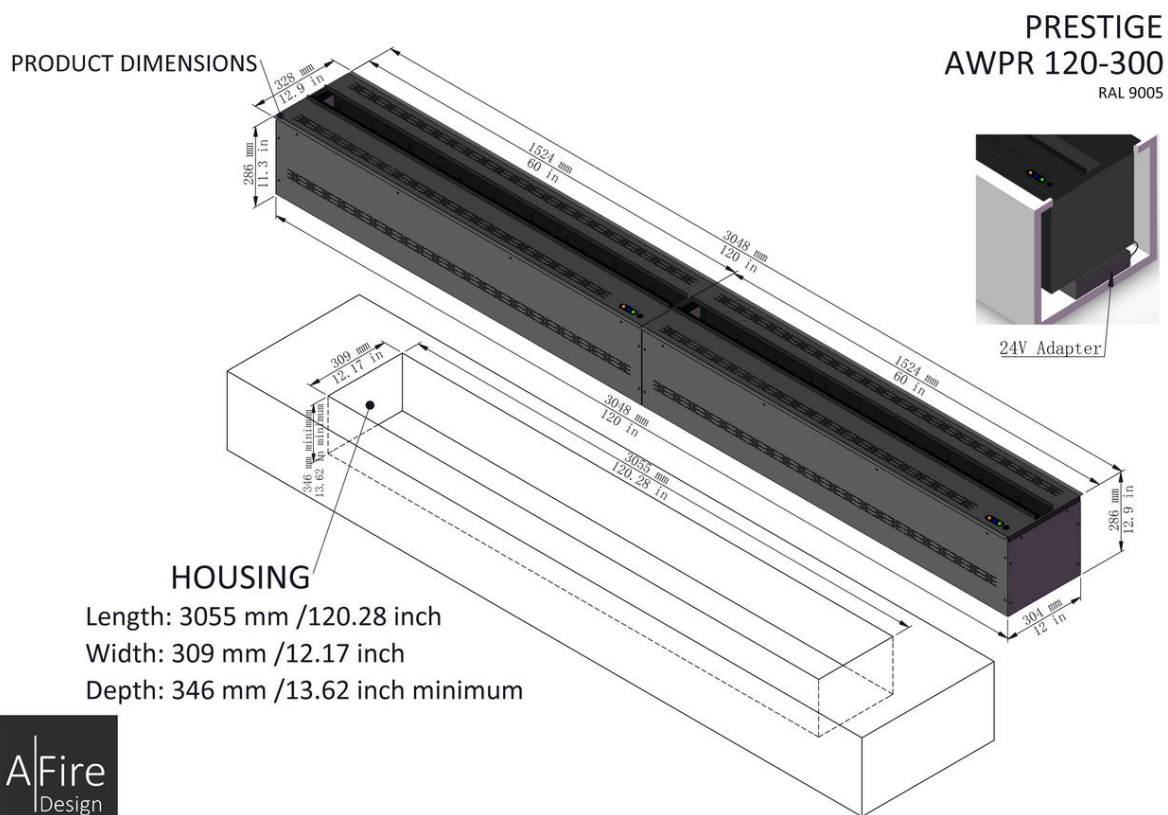
Tank capacity: 6 L - Run time: 20 h – Power: 195 W - Weight: 39 kg

AWPR PRESTIGE continuous lines of fire

Modules: 200 – 250 – 300 – 350 – 400 – 450 – 500 – 550 – 600 centimeters and more
 Modules : 80-100-120-140-160-180-200-220-240 inches and more

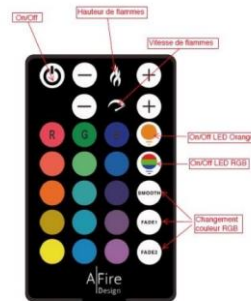
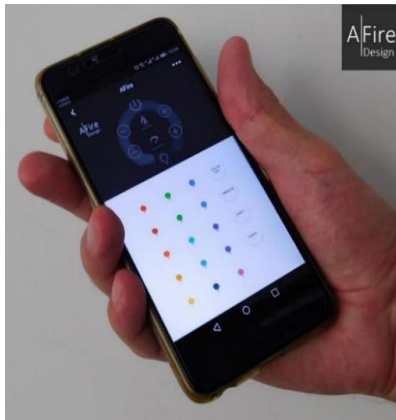
To install an XXL fireplace, just assemble the modular water vapor inserts from the AFIREWATER PRESTIGE line. You can then create a **continuous line of fire**. Since it meets the strictest safety standards, 3D cold water vapor fire can be installed anywhere: in large rooms, in spaces that are open to the public, in hotels, restaurants, bars, businesses, saunas, etc.

The 3D fireplace is the perfect solution. The flames are cold and don't emit any exhaust gas. You can adjust their height, speed, and color. You can create traditional golden flames as well as blue, green, red, purple, etc. and even play with the device's light effects.



TECHNICAL DATA AFIRE WATER ADVANCE & PRESTIGE

Controls



Installation

Connect the 24V charger provided and install the device (comes with the standard plug for your country)

Fill the tank manually or automatically

You can fill the tank with tap water. If your tap water is very hard, you should use a water softener or bottled mineral water.

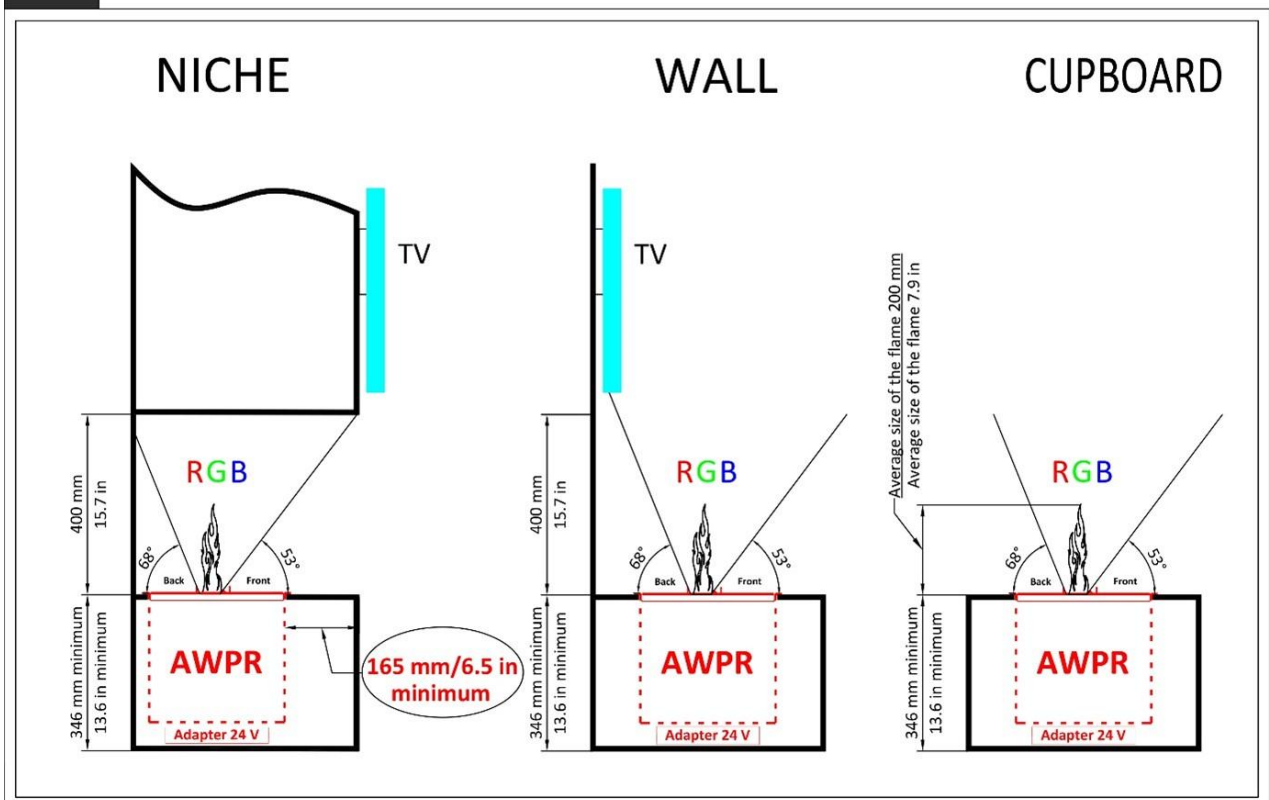
Manual filling: With AFIREWATER PRESTIGE, just connect the hose provided to the device and immerse it in a bottle or container of water. Just press the fill button to automatically engage the pump, which will stop once the tank is full (no water supply line).

Water supply line: Note that it is possible to connect models directly to the water supply network. You can do this yourself or hire a plumber. Connecting the device would make it fully automated.

No need to buy fuel!

Installation methods

MOUNTING - AWPR PRESTIGE



Water Vapor Fireplace Inserts with Germicidal UVC Lamps Viricidal & Bactericidal

All our water vapor fireplace models are now equipped with UVC Lamps that protect and disinfect our air and water tanks, as well as the water vapor produced (patents pending). Ultraviolet C (UVC) radiation inactivates and kills viruses (coronavirus and others), bacteria, spores, microorganisms, and pathogens while the unit is in use. The UVC Lamps are installed in the air and water tanks and therefore not visible to the naked eye. We can now really talk about a 3D pure water vapor fireplace that gets rid of up to 99.99% of dangerous germs.

The power of UV Disinfection

UV Disinfection is a technology that uses Ultra-Violet light in the germicidal wavelength to inactivate bacteria, viruses, spores and other pathogens. There is no microorganism known to be immune to UV-C light.

780 nm wavelength (nm)
UV-C Radiation used for disinfection is most effective at a wave length of 264nm

Peak Germicidal Efficiency 264 nm

UV-C Light

X-rays Ultraviolet Visible Light Infrared

100 200 280 315 400 780

Vacuum-UV UV-C UV-B UV-A

AFire Design

AFIRE WATER VAPOR FIREPLACE INSERTS

Wikipedia: Sterilization by ultraviolet radiation is a sterilization method that relies on the sensitivity of microorganisms to exposure to short-wavelength ultraviolet light. This method is used in research laboratories to prepare sterile work surfaces, for food preservation, and for air and water purification. UV light has been known for its mutagenic properties since the beginning of the 20th century and Niels Finsen’s Nobel Prize for Medicine.

