

Transformers / Rail mounted devices

»Don't underestimate due to size«



Transformers / Rail mounted devices

Optimum performance and all conventional voltages!

In all matters pertaining to environmental compatibility and safety GROTHE transformers are setting trends. The transformers protected by patent law are not only the core of a reliable bell system, but also, because of the high standards involved, also represent an ideal solution for the industrial sector.



- Installation in current distribution board
- Compact dimensions
- Comply with the highest environmental protection regulations



Inspection stations:

Nr.	Name	Country	Nr.	Name	Country
01	AENOR	Spain	15	DEMKO	Denmark
02	CEBEC	Belgium	(F) 16	FIMKO	Finland
03	IMQ	Italy	(N) 17	NEMKO	Norway
04	IPQ	Portugal	18	MEEI	Hungary
(KEMA) 05	KEMA	Netherlands	19	BEAB	UK
06	NSAI	Ireland	20	ASTA	UK
07	SEE	Luxembourg	21	EZU	Czech Republ.
08	UTE	France			
09	ELOT	Greece			
(D'E) 10	VDE	Germany			
(ÖVE) 11	ÖVE	Austria			
12	BSI	UK			
13	SEV	Switzerland			
(S) 14	SEMKO	Sweden			

Grothe transformers “Made in Germany” bell transformers are optimised for short term use in residential applications such as doorbells, gongs, alarm bells, door openers and safety transformers in continuous use.

Grothe bell and safety transformers are protected with a PTC, which switches the transformer off on short circuit and overload on the primary side. On switching of the PTC through overload or short circuit, the transformer needs to be taken off the load for at least 1 minute in order for it to be put back into service.

All transformers comply with the highest environmental protection regulations, are checked according to EN61558 and are certified according to VDE and KEMA (with ENEC mark for use in Europe).

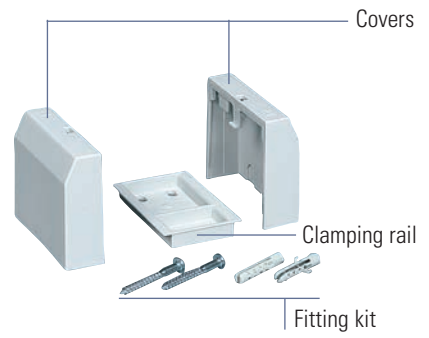
GROTHE Bell transformers

For short term load
 Tested according to EN 61558-2-6:2011
 Short circuit proof through PTC (except GT50810)



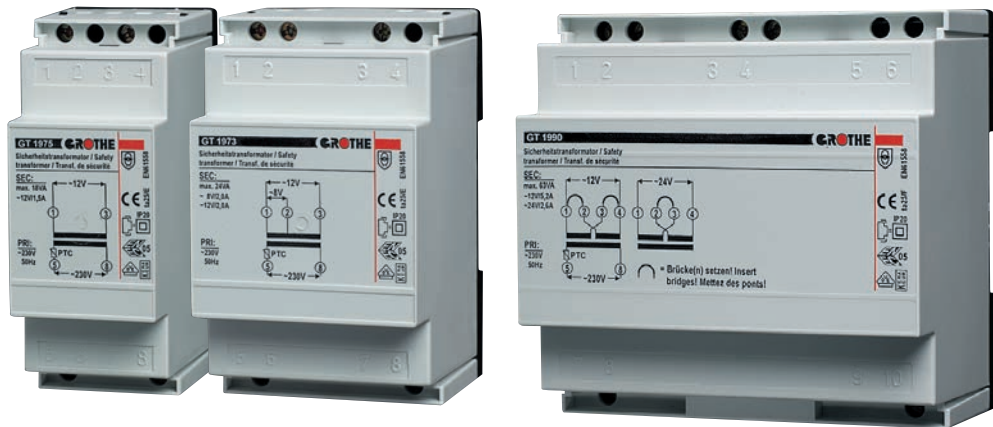
S-version with unipolar line switch

Surface-mounted




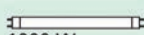


GROTHE Safety transformers

Suitable for permanent load
 Tested according to EN 61558-2-6:2010
 Short circuit proof through PTC



GROTHE Stair case light timer

Timer setting: continuously adjustable to up to 12 min.

- Switching capacity:**
-  2000 W
 -  1000 W
 -  500 W
 -  max. 100 mA

- For 3 or 4 wire circuits
- Switch-off advance warning according to DIN



Standard bell transformers



up to 18 VA

Model	Order no.	Description
GT 3148	14201	Bell transformer <ul style="list-style-type: none"> Primary: 230-240V AC (50 Hz) 8V AC (1,0A) 90 x 36 x 55 mm (corresponds to 2 subunits)
GT 3139	14039	Bell transformer function as above, but <ul style="list-style-type: none"> 8/12V AC (1,5/1,0A)
GT 3158	14058	Bell transformer function as above, but <ul style="list-style-type: none"> 12V AC (1,0A)
GT 3173	14073	Bell transformer function as above, but <ul style="list-style-type: none"> 4/8/12V AC (2,0/2,0/1,5A)
GT 3182	14082	Bell transformer function as above, but <ul style="list-style-type: none"> 8/12/24V AC (2,0/1,3/0,6A)
GT 50810	14207	Bell transformer Fail-safe <ul style="list-style-type: none"> in case of wrong use permanent damage possible 8V AC (1,0A)
GT 36 AP	14936	Surface-mount installation set

up to 24 VA

Model	Order no.	Description
GT 3174	14074	Bell transformer <ul style="list-style-type: none"> Primary: 230-240V AC (50 Hz) 4/8/12V~ (3,0/2,0/2,0A) 90 x 54 x 55 mm (corresponds to 3 subunits)
GT 54 AP	14954	Surface-mount installation set

with power switch

Model	Order no.	Description
GT 3148 S	14211	Bell transformer <ul style="list-style-type: none"> Primary: 230-240V AC (50 Hz) 8V AC (1,0A) 90 x 36 x 55 mm (corresponds to 2 subunits)
GT 3139 S	14049	Bell transformer function as above, but <ul style="list-style-type: none"> 8/12V AC (1,5/1,0A)
GT 3173 S	14083	Bell transformer function as above, but <ul style="list-style-type: none"> 4/8/12V AC (2,0/2,0/1,5A)
GT 36 AP	14936	Surface-mount installation set

Safety transformers



up to 18 VA

Model	Order no.	Description
GT 1965	14102	Safety transformer <ul style="list-style-type: none"> Primary: 230-240V AC (50 Hz) 8V AC (2,0A) 90 x 36 x 55 mm (corresponds to 2 subunits)
GT 1975	14101	Safety transformer function as above, but <ul style="list-style-type: none"> 12V AC (1,5A)
GT 36 AP	14936	Surface-mount installation set

up to 25 VA

Model	Order no.	Description
GT 1973	14034	Safety transformer <ul style="list-style-type: none"> Primary: 230-240V AC (50 Hz) 8/12V AC (2,0/2,0A) 90 x 54 x 55 mm (corresponds to 3 subunits)
GT 54 AP	14954	Surface-mount installation set

up to 63 VA

Model	Order no.	Description
GT 1980	14140	Safety transformer • Primary: 230-240V AC (50 Hz) • 12/16/24/32V AC (3,3/2,5/1,6/1,2A) • 90 x 90 x 55 mm (corresponds to 5 subunits)
GT 1990	14160	Safety transformer function as above, but • 12/24 V AC (5,2/2,6 A)
GT 90 AP	14990	Surface-mount installation set
NG AL12/5A	39340	Power supply unit • Power supply unit with replaceable primary fuse • Din rail use / on wall use • Primary 230 V AC, 50 HZ • Secondary 12 V DC, max. 5 A • for CCTV cameras prim. 12 V DC • Size 123 x 100 x 68 mm • LED indication for mains voltage • (corresponds to 2 subunits) • weight: 340 g
NG AL12/2A	39342	Power supply unit • Power supply unit with potentiometer • Din rail use / on wall use • Primary 100–240 V AC, 50 HZ • Secondary 12 V DC, max. 2 A • for CCTV-cameras prim. 12 V DC • Size 94 x 36 x 69 mm • LED indication for mains voltage • 2 subunits • weight: 135 g
NG AL24/1A	39343	Power supply unit • Power supply unit with replaceable primary fuse • Din rail use / on wall use • Primary 100–240 V AC, 50 HZ • Secondary 12 V DC, max. 1 A • for closed circuit door opener • Size 94 x 36 x 69 mm • LED indication for mains voltage • 2 subunits • weight: 135 g



Staircase light time switch

Description

- Electronic control
- Time setting: Continuously variable up to 12 min
- 3/4-lead circuits delayed switching capacity/switching time extension (3-lead circuit for unit replacement in existing installations only)
- Installation in electrical distributor (standard rail)
- Switch-off advance warning in accordance with DIN 18015-2, 1996-08 (approx. 30 seconds before time expiry; flickers several times)
- Switch-off advance warning can be disabled
- Adjustable continuous light function on the light switch or on the staircase light time switch

Technical data

- Operating voltage (230 V AC/50 Hz)
- Contact load: 16 A, (one normally open contact)
- Control voltage: 8–230 V AC/DC and 230 V AC
- Max. load capacity: Filament bulbs 2000 W, energy-saving bulbs 1000 W, fluorescent tubes 750/1000 W (compensated/uncompensated).
- Temperature range -25°C to +55°C
- 82 x 18 x 58 mm (1 module width)
- Staircase light controlled via light switch (230 V AC):
 - Press light switch repeatedly for < 1 sec: Extension of the lighting period by set time (additive)
 - Press light switch for switch for > 1 sec: Continuous „On“/ Continuous „Off“ (Auto „Off“ after 1 hr)



Model	Order no.	Description
TA 220d	94022	Staircase light time switch

Staircase light time switch

Function overview

