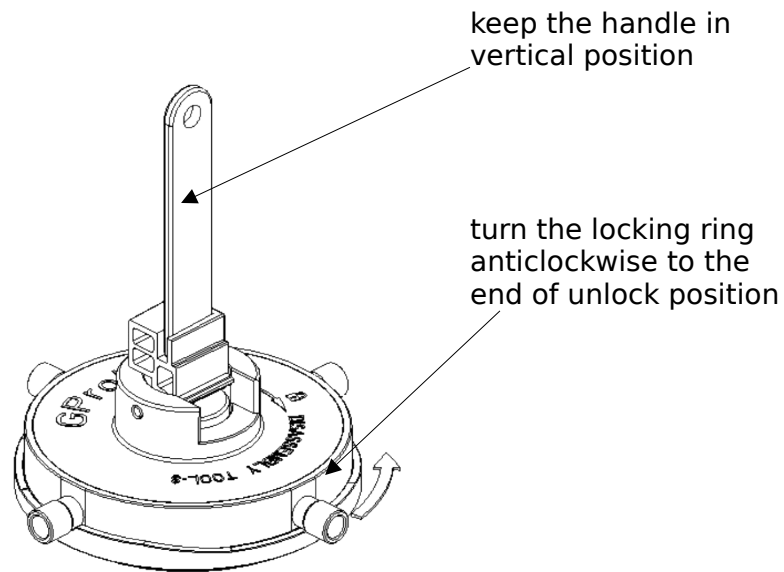
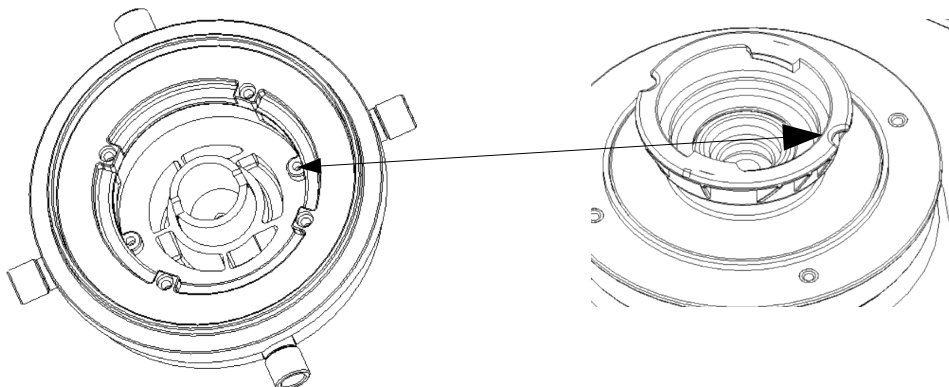
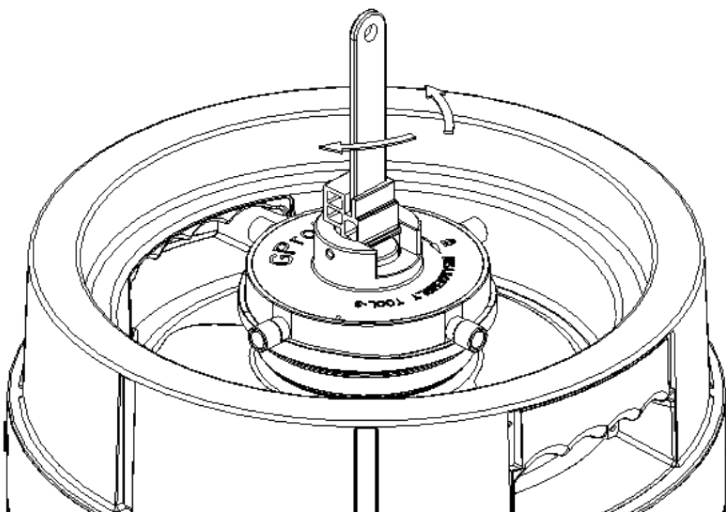


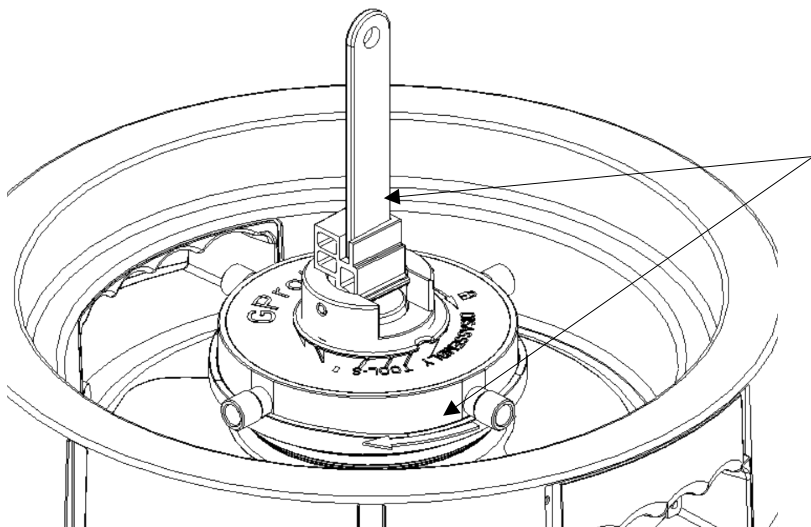
1. turn the locking ring on unlock position



2. hold the handle of tool, put the tool on spear, keep the handle on vertical position, turn the tool till the lock pin in the tool align with the hole on the spear

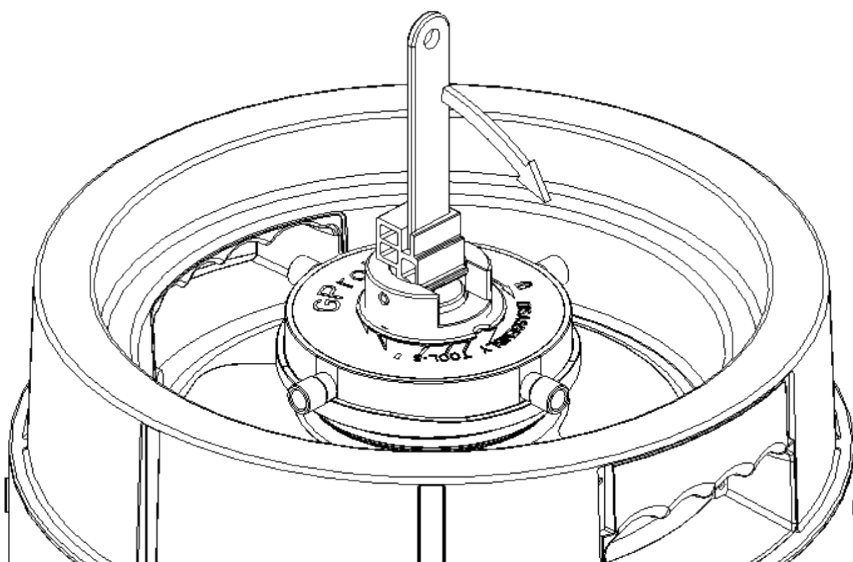


- hold the handle of the tool and keep it on vertical position, turn the locking ring clockwise to the end till the tool completely locked on the spear



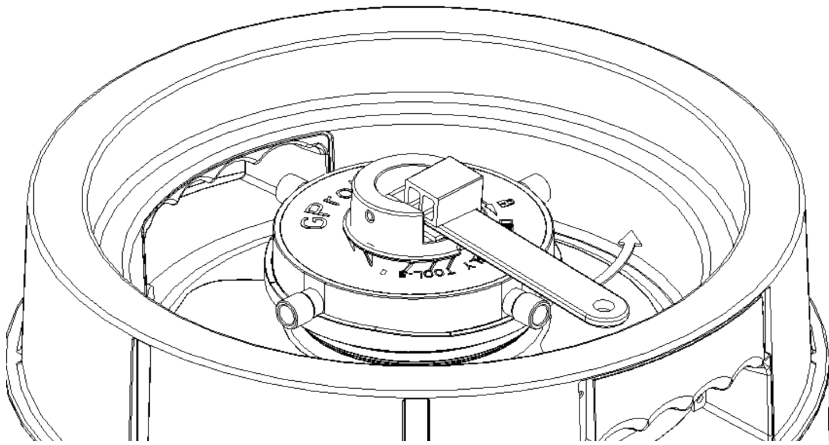
hold the handle of tool, keep the handle on vertical position, turn the locking ring clockwise till the end to lock the tool on the spear

- turn and pull down the handle of the tool for 90 degrees, release the pressure from the keg till no gas comes out from the keg



## Manual disassembly instruction of spear - reusable kegs

5. hold the handle of tool, turn the tool and spear anticlockwise till the spear disassembled from the keg

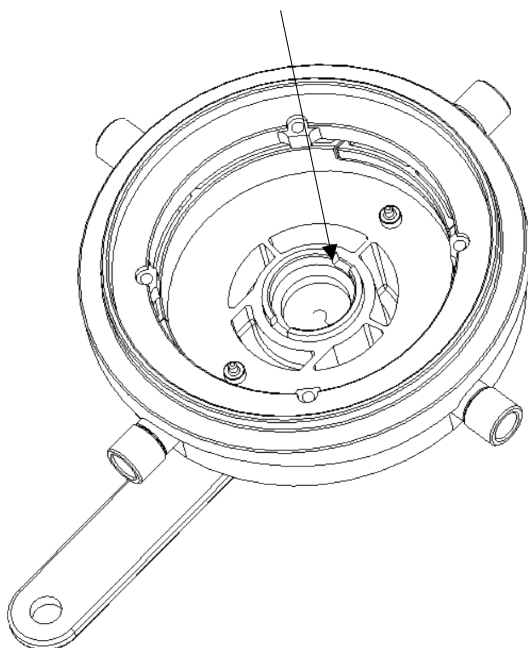


6. turn the locking ring of the tool anticlockwise till the end, to unlock the tool and take the tool off from the spear; pull the beer bag out from the keg, and then insert/assemble a new spear into the keg.

### Remarks:

- a) for S & D coupler spear, the disassembly and assembly tool is same.
- b) for A coupler spear, the assembly and disassembly tool is different, need to use separated tool for spear assembly and disassembly

A coupler disassembly tool  
with pressure release block



A coupler assembly tool  
without pressure release block

