

TOOLS



Electric drill
Tape-measure
Spirit level



Cordless screwdriver
Light hammer
Magnetic bits and drill sockets
Drill Ø 6 - Drill Ø 13

MATERIAL



Screws



The right angle is achieved by bending the clamps to fit the hole securely.



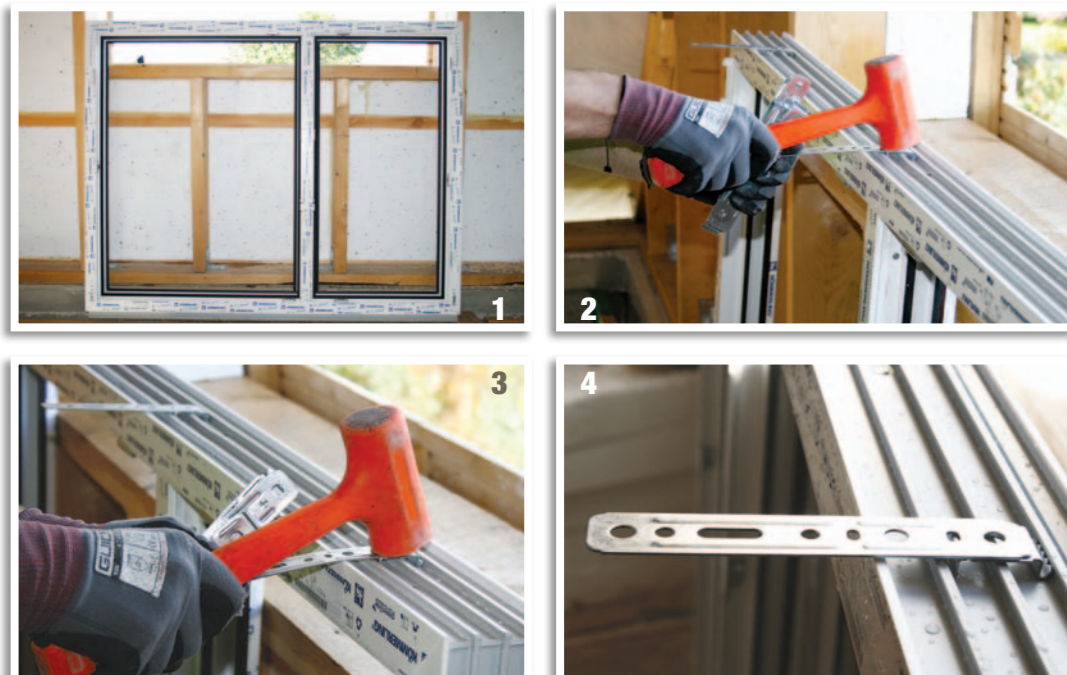
STEP 2

Prepare the window hole for the installation process. Place construction wedges to the bottom of a prepared window hole.



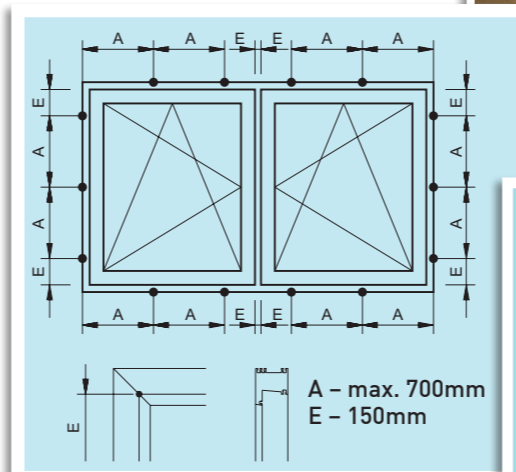
STEP 1

Start the mounting process by placing all the window clamps to their right position. Do it always before placing window in it's hole.

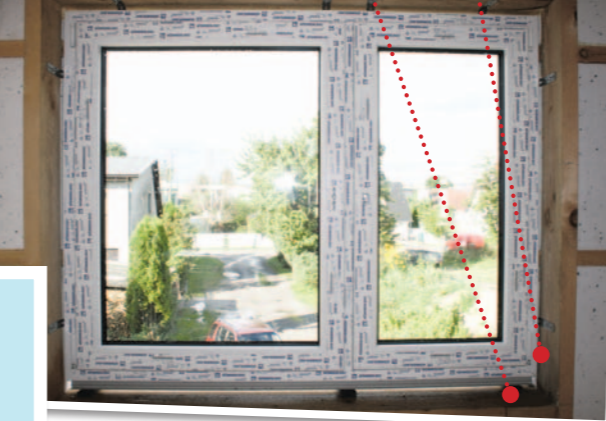


STEP 3

See image for correct distance between the clamps, installation and assembly process.



Wedges
Bearing pads



STEP 4

Make sure the window is plumbed perfectly from each side, top and bottom.



STEP 5

Set the clamp screw as close to the frame as possible.



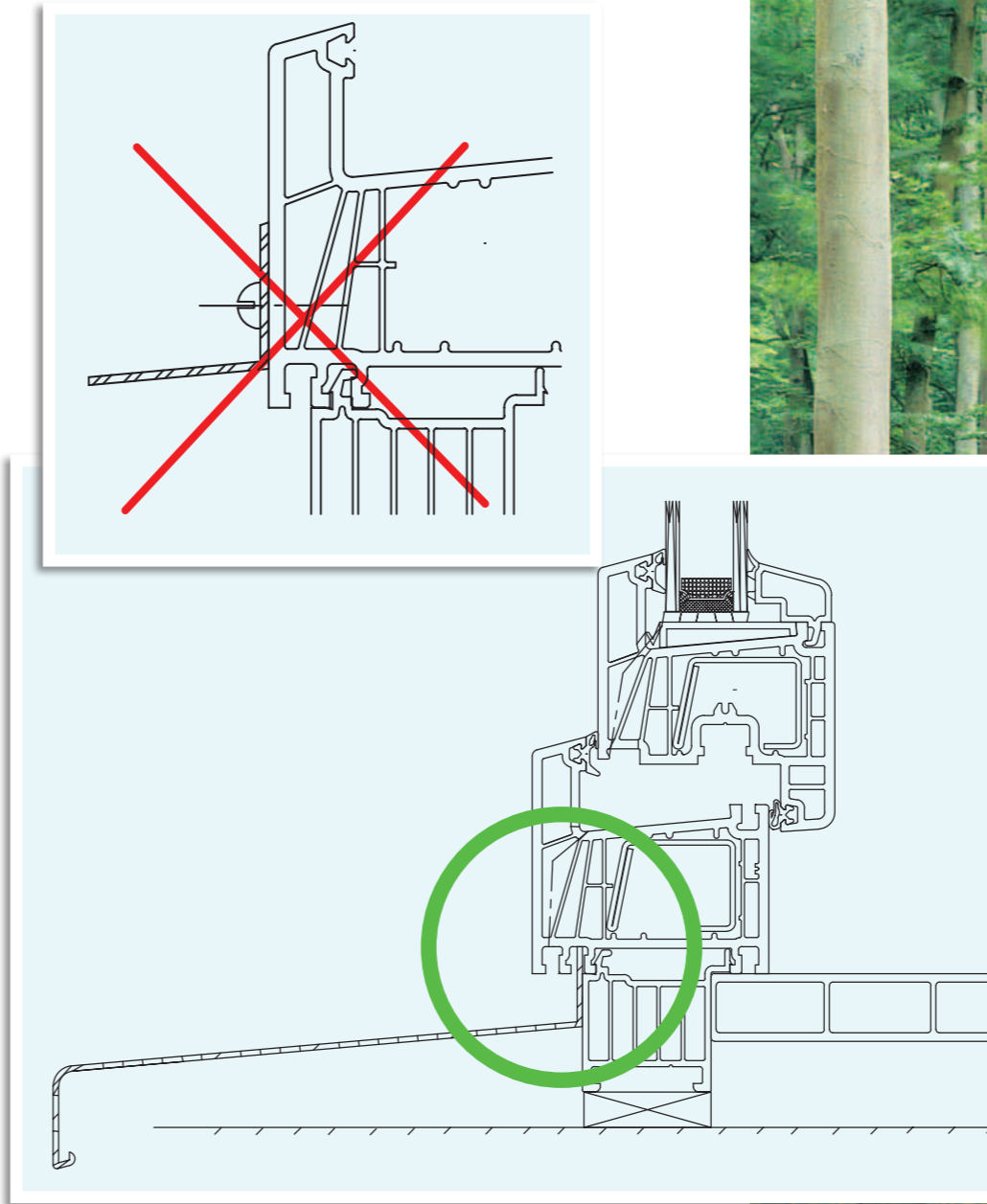
STEP 6

Install the window frame and the seal all the gaps with mounting foam. congratulations - the window is now installed!



STEP 7

Installation of exterior window sill.



 **PLASTO**[®]
A K N A D • U K S E D



INSTALLATION GUIDE