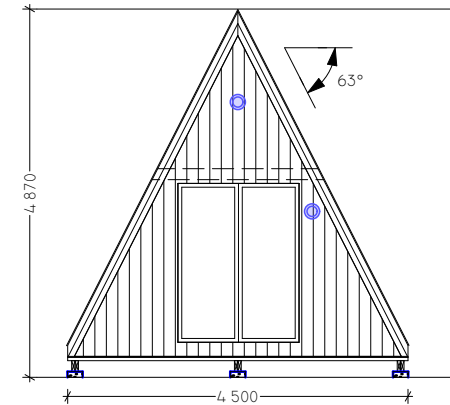
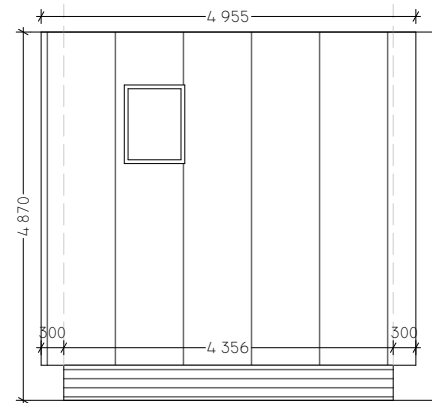
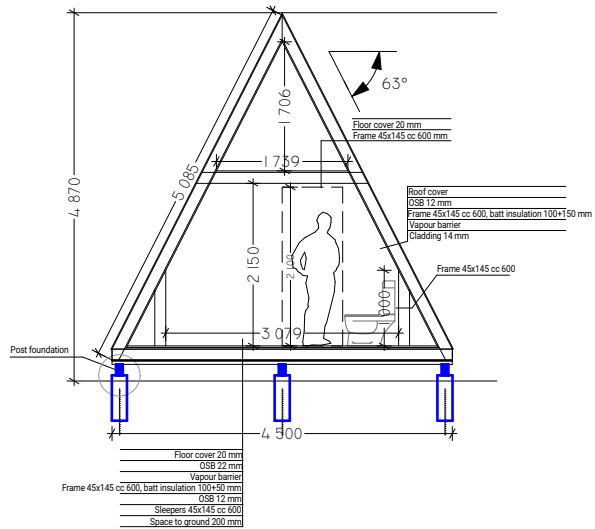
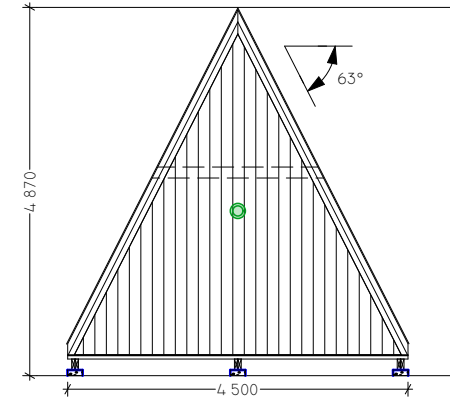
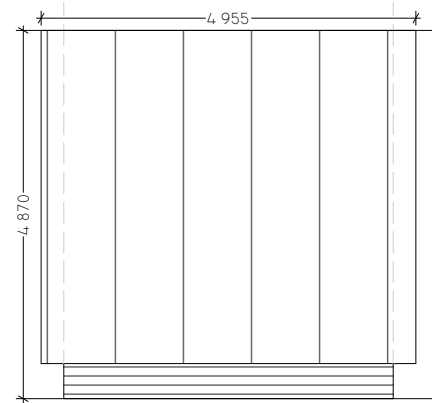
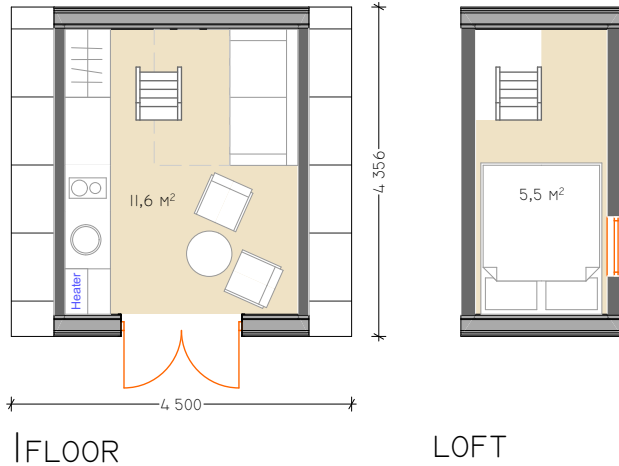



FLOOR AREA 17,1 M²
 BUILDING AREA 19,4 M²
 HEATING VOLUME 35 M³
 HEATING (FIREPLACE) 3KW



Date	Sheet	Drawing	Project ID	
14.01.2022	1:100 A4	Plans	SOLO+42	