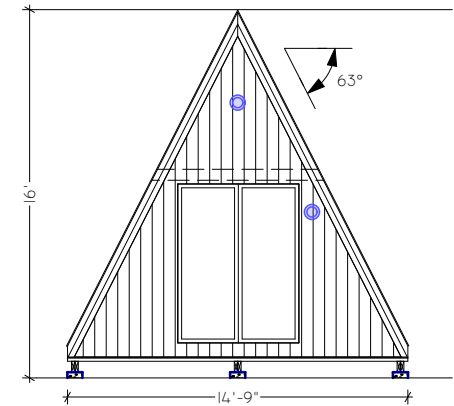
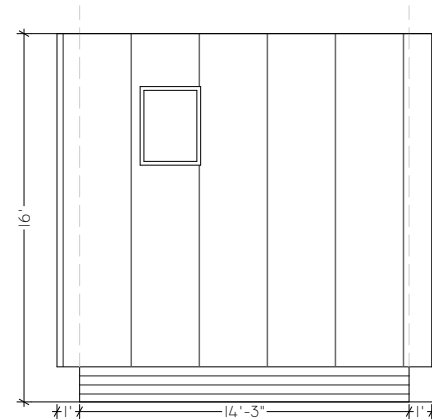
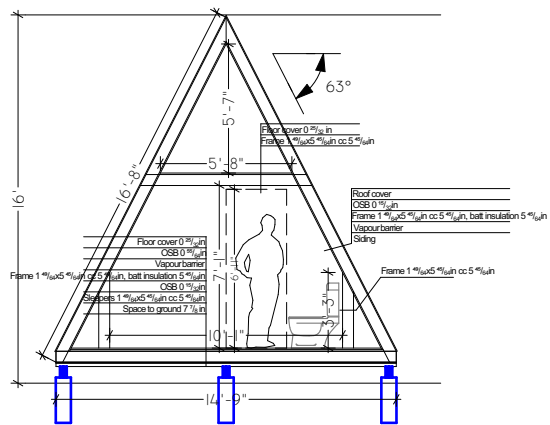
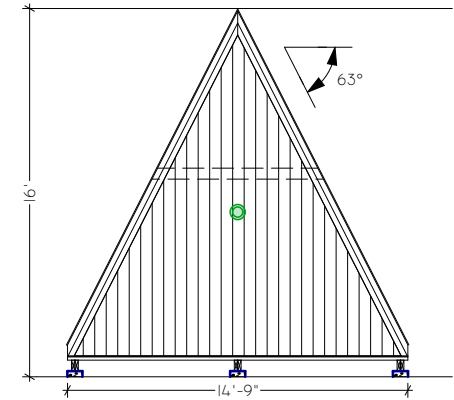
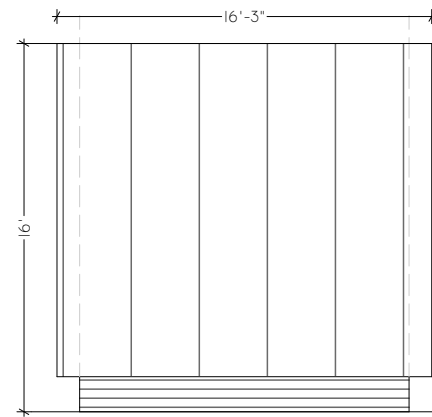
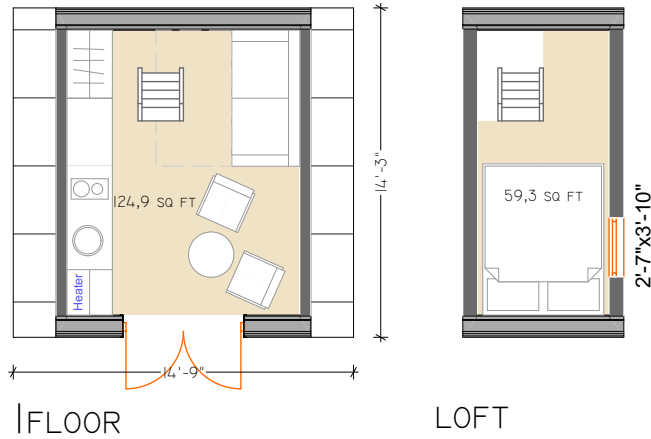



FLOOR AREA 184FT²
 BUILDING AREA 208FT²
 HEATING VOLUME 1236FT³
 HEATING (FIREPLACE) 3KW



Date	Sheet	Drawing	Project ID	
21.01.2022	1:100 A4	Plans	SOLO+42	