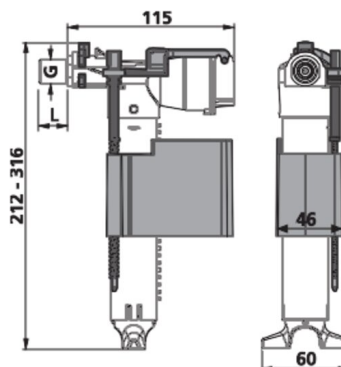
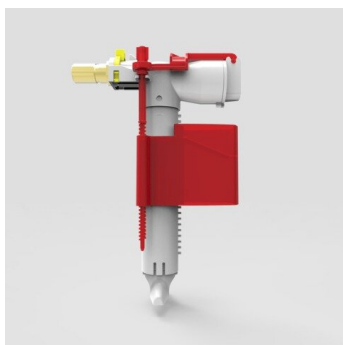


25.001.00..0000

## SANIT Universal fill valve 510 (multiflow) G3/8x30



### Item number

25.001.00..0000

### Product description

Universal fill valve 510 (multiflow)

size: G 3/8 x 30

small, compact construction, rapid filling rate of 3.6 l/min at 0.5 bar flow pressure, quick closing, extremely quiet, only 13 dB(A)(Noise Class I), easy to install and maintain due to simple snap and plug connections, brass connection, adjustable flush water volume controlled by an continuously variable float, with telescopic pipe, for universal application in plastic and ceramic exposed cisterns and concealed cisterns, packed in a box

tested to DIN EN 14124, KIWA, SVGW, NF