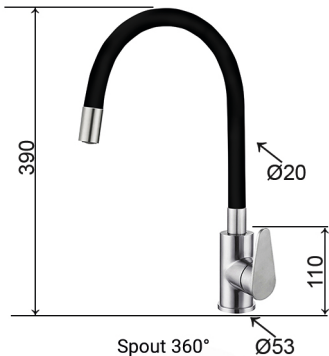


AQUALINE STEEL

TECHNICAL FEATURES

Art. Cod. 24RV017



Materials

Stainless Steel

ABS

Silicone

Verification to: Standard EN817:2008