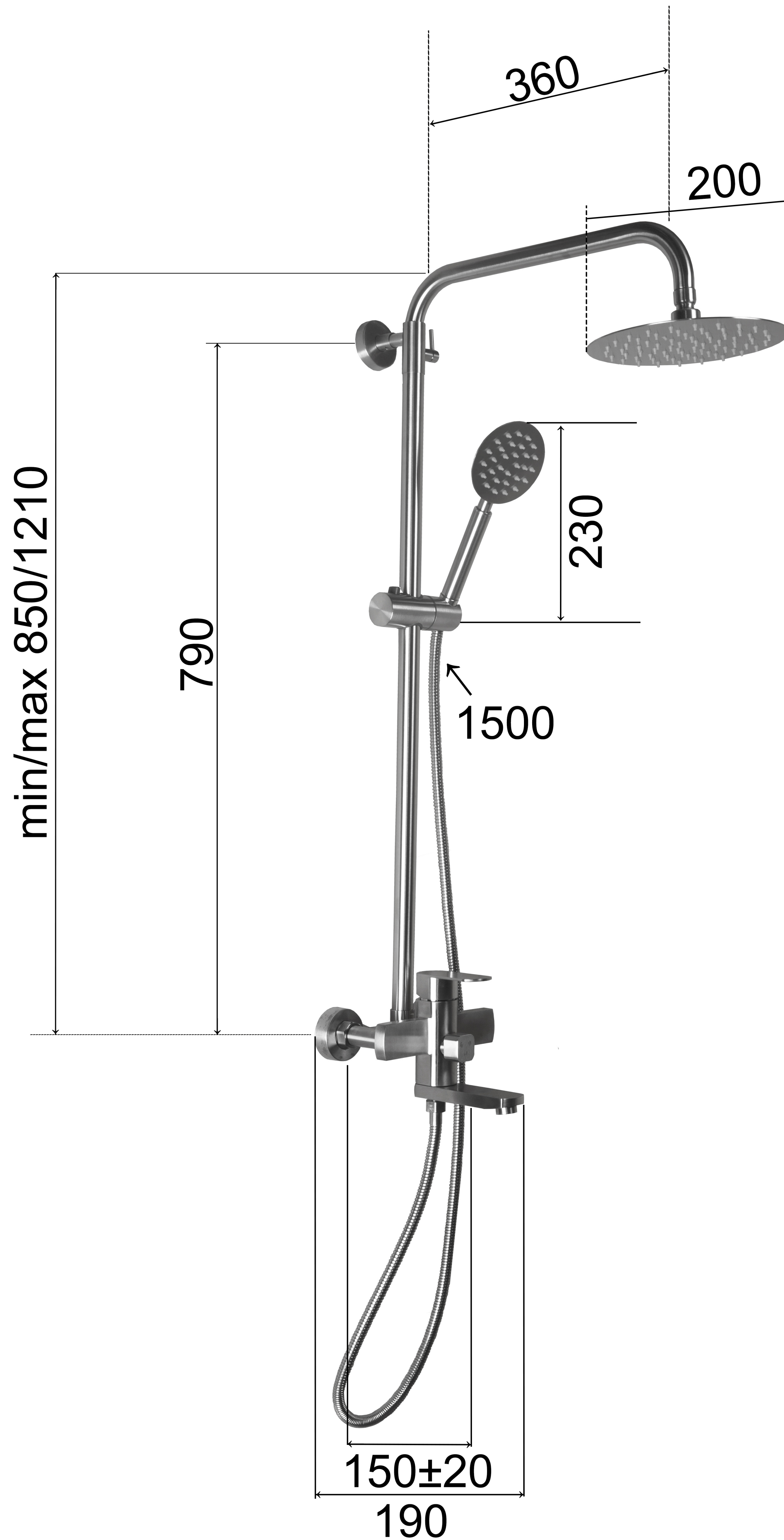


AQUALINE STEEL

TECHNICAL FEATURES
ART.COD. 247RV002



Materials
Stainless steel