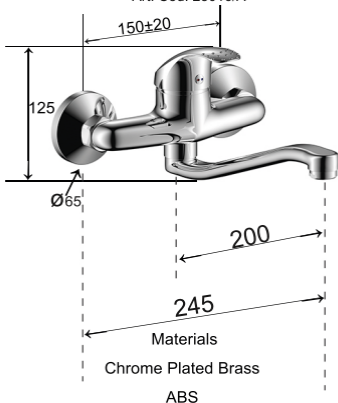


AQUALINE
premium

TECHNICAL FEATURES

Art. Cod. 23016/A



Verification to: Standard EN817:2008