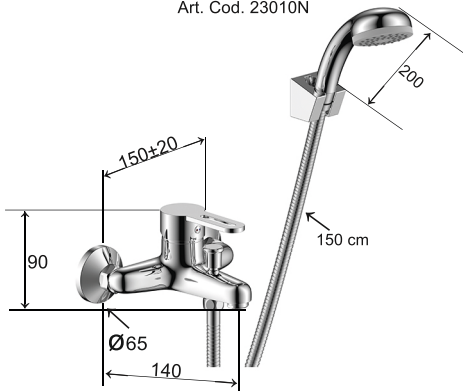


AQUALINE
premium

TECHNICAL FEATURES

Art. Cod. 23010N



Materials

Chrome Plated Brass

ABS

Verification to: Standard EN817:2008