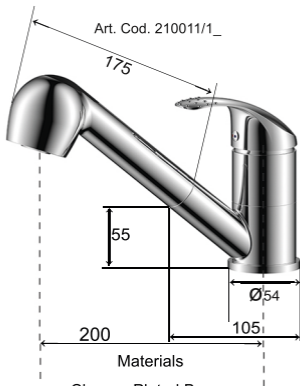


AQUALINE
premium

TECHNICAL FEATURES



Verification to: Standard EN817:2008