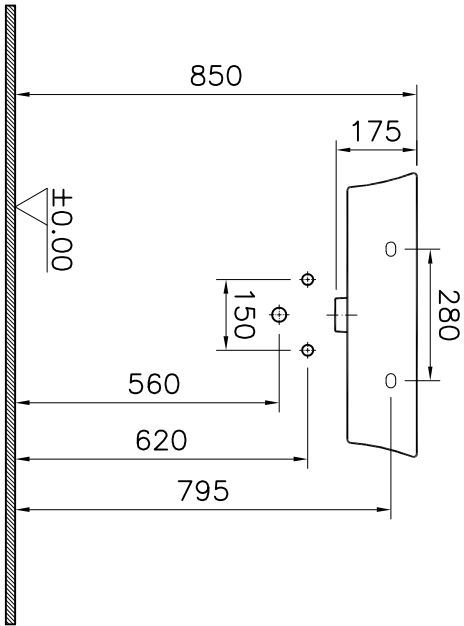
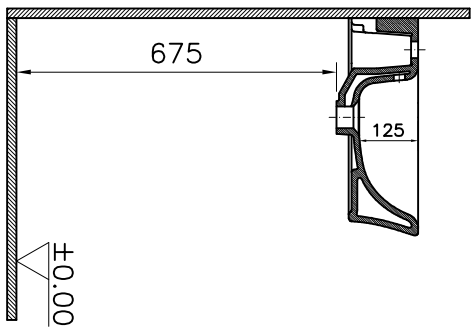
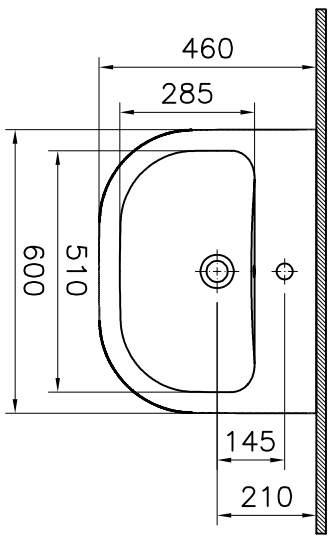


Theoretic Mass(kg)	Revision
Surface Area(dm <sup>2</sup> )	<b>A4</b>

Thread	Hole	Shaft
--------	------	-------



**PROTOTYPE  
DRAWING**

Item	Quantity	Part Name	Series	Material	Drawing No	Material	Material Class
1	1	Washbasin		Ceramic	7478-0001	Ceramic	
		This drawing can only be used for the intended process. Unauthorised copying is strictly prohibited.		Washbasin			

Drawn By	Controlled By	Approved By	Date	Drawing No	Scale
T.TAYAR	N.BALTACI	S.V.SARIKOL	17.06.2021	7478	
Description					
Date					
NAME					

RS					
Description					
Date					
NAME					

