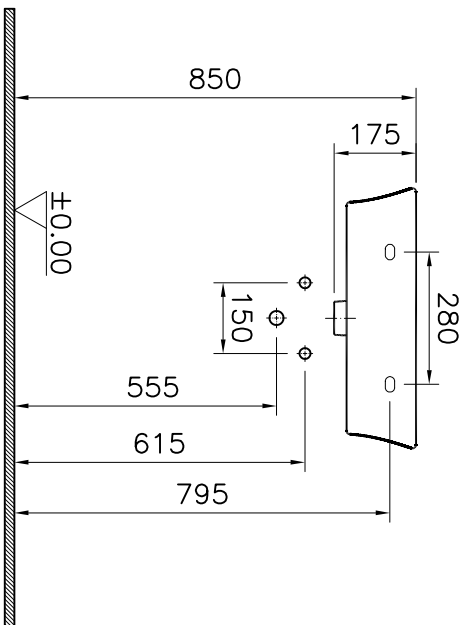
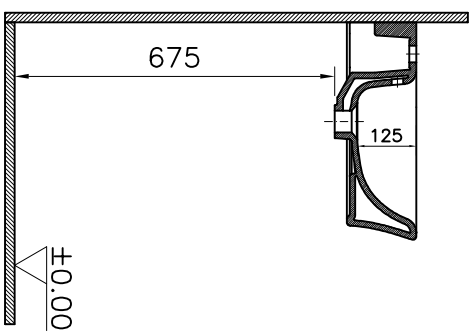
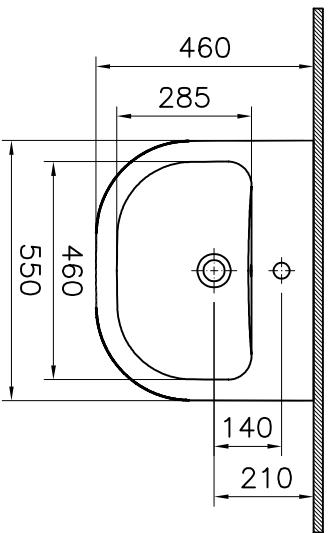


Theoretic Mass(kg)	Revision
Surface Area(dm ²)	A4

Thread	Hole	Shaft
--------	------	-------



**PROTOTYPE
DRAWING**

Item	Quantity	Part Name	Series	Material	Drawing No	Material	Material Class
1	1	Washbasin		Ceramic	7477-0001	Ceramic	
		This drawing can only be used for the intended process. Unauthorised copying is strictly prohibited.					

Drawn By	Controlled By	Approved By	Date	Drawing No	Scale
T.TAYAR	G.KODAESKI	N.BALTAOI	21.06.2021	7477	
Description					
Date					
NAME					

RS					
Description					
Date					
NAME					

VITRA® | ARTEMIS®