

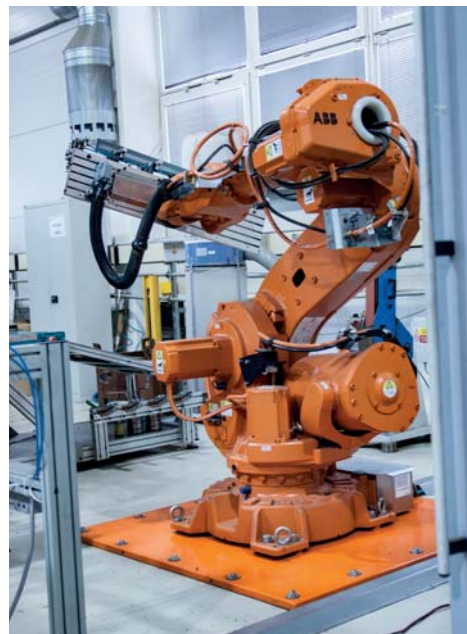
Alca PLAST®

Product catalogue 2021

SANITARY SYSTEMS

 **EY Entrepreneur Of The Year
in the Czech Republic**
2018 Award Winner

 **CZECH
PRODUCT**



Content

PRE-WALL INSTALLATION SYSTEMS _____	9	FLOOR DRAINS _____	131
Pre-wall installation systems _____	12	Stainless steel floor drains _____	132
Sanitary ware _____	24	Floor drains with design grids _____	133
Pre-wall installation systems – accessories _____	24	Floor drains with stainless steel grids _____	134
Insulation boards _____	27	Floor drains with plastic grids _____	137
Mounting frames for plumbing fixtures _____	30	Floor drains – accessories _____	139
		Waterproofing foil _____	140
FLUSH PLATES AND SENSORS _____	37	WASTES AND TRAPS _____	143
Flush plates for pre-wall installation systems _____	42	Bath wastes and traps _____	144
Sensor program _____	44	Shower wastes and traps _____	153
Remote flushing _____	45	Wash-basin wastes and traps _____	158
		Metal program _____	160
VALVES _____	49	Sink wastes and traps _____	168
Fill valves _____	52	Wash-basin and sink wastes and traps – accessories _____	173
Flush valves _____	53	Urinal and bidet traps _____	176
Plastic WC cisterns _____	54	Traps for dripping condensation _____	177
Fill and flush kits _____	55	Washing machine traps _____	178
Valves – accessories _____	57	Washing machine traps – accessories _____	178
		FLEXI PIPES _____	181
WC SEATS _____	59	Flexi pipes PREMIUM _____	182
WC seats Antibacterial _____	66	Flexi pipes – accessories _____	183
WC seats Basic Antibacterial _____	66		
WC seats Duroplast _____	67	WC ACCESSORIES _____	185
WC seats SOFTCLOSE _____	68	WC flexi connectors _____	186
WC seats SLIM _____	69	WC connectors _____	186
WC seats – hinges _____	70	Air admittance heads _____	188
		Bath access doors _____	189
LINEAR DRAINS _____	73	PRODUCT LINES _____	190
Linear shower drains _____	74	Program INDIVIDUAL _____	190
Waste systems _____	86	Black-matt program _____	192
Corner shower drain _____	87	White-polished program _____	194
Linear shower drains Antivandal _____	88	Bronze-antic program _____	195
Linear shower drains – accessories _____	89		
Plastic linear shower drains _____	90	PRODUCT NEWS 2021 _____	196
Stainless steel strips for sloped floor _____	94	INDEX _____	210
TAILOR MADE STAINLESS STEEL PRODUCTS _____	97		
Point drains _____	98		
Box drains _____	99		
Slotted drains _____	104		
Drainage channels _____	106		
Swimming pool grates _____	110		
OUTDOOR DRAINAGE SYSTEM _____	113		
Outdoor drain channels _____	116		
Outdoor drain channels – accessories _____	125		
Universal rain drums _____	127		
Universal rain drums – accessories _____	127		

N New	EXTER For outdoor use	Ø50 Hole diameter in shower tray	WOOD For wooden construction houses
ECOLOGY Flushing system 2/4 I	INTER For interior use	ANTI BACTERIAL Material with antibacterial properties	TOP Top actuation
15 Extended guarantee	INTER EXTER For use indoors and outdoors	CLICK SYSTEM Simple WC seat removal system	1.5 t Maximum load up to 1.5 t
START STOP One-button START/STOP flushing system	EXTER System with connector for extraction fan	SOFT CLOSE WC seat slow-closing safety system	5 t Maximum load up to 5 t
DUAL 3 I/6 I Two-button DUAL 3 I/6 I flushing system	SMART Combined odour trap SMART	A15 Load class	

Czech tradition and world design together with us create Alcaplast



COMPANY FOUNDATION

Alcaplast company was founded in 1998 by husband and wife Radka Prokopová and František Fabiřovic. Since they have started manufacturing of the first inlet and outlet valves in Břeclov, they expanded and upgraded its portfolio of products significantly. Currently Alcaplast with its wide range of products fits into the role of market leader indicating trends on the field of sanitary systems in Central and Eastern Europe, with expansion into many other countries.

ALCAPLAST INTERNATIONAL

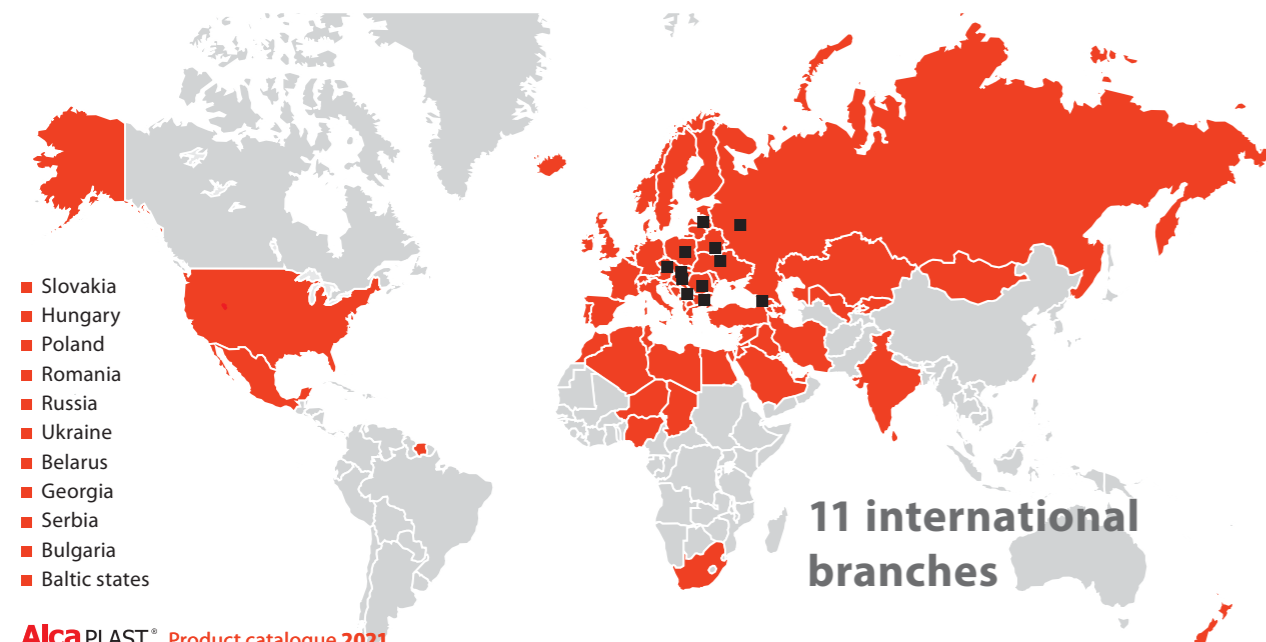
We design our products so that they can simplify life across many countries. They are universal and they meet demanding international standards. Alcaplast distribution warehouses and sales teams in countries outside of the Czech Republic provide flexible communication and service to our customers.

CZECH PRODUCTS FROM CZECH ENGINEERS

Quality, technical solutions, innovation, design – these are the primary characteristics of Alcaplast products. High level of professionalism and skill of our Czech technicians is based on the historical tradition of Czech industry, which is over 100 years old, and renowned worldwide for its top quality products that are modern and extremely reliable.

ALCA – A PREMIUM BRAND

Premium brand ALCA represents a number of design products thoroughly elaborated with high utility value. Alcaplast is the creator of the new trends in sanitary technology. Our cooperation with leading Czech designers in creating new product lines has won us several prestigious awards.



Alca PLAST®



FLUSH PLATES NIGHT LIGHT AND FLAT – WORLD DESIGN

Alcaplast is a trendsetter in the world of design. This is confirmed by two awards, which the company received in recent years. Prestigious iF Design Award 2018 evaluated the novelty – touch-free flush plate NIGHT LIGHT – the winner in the Product category of the Bathrooms section. Their predecessor, the collection of flush plates FLAT, was rewarded by the jury at the Red Dot Award product design competition in 2014.

ECOLOGICAL PRODUCTION

Alcaplast company is a long-term investor into ecologically friendly production. The reduction of the negative impact of its production on the environment is one of the company's top priorities. That is why the production processes are designed in ways that prevent waste creation and any waste that may be produced can be re-used in production. The residual production heat is also recycled and used to heat buildings or, once it is transformed into cooling through the process of trigeneration, is used to cool machinery. The continual modernisation of the production process reduces the company's demands on electrical energy consumption. Furthermore, part of this electrical energy consumption is produced from renewable resources emanating from the production process.



BEST 100 CZECH COMPANIES

Alcaplast has defended its position amongst the top one hundred most successful Czech companies for the fourth year running. It occupied an excellent 26th place in 2020.

EY ENTREPRENEUR OF THE YEAR 2018

Alcaplast owners won the national round of the prestigious competition EY Entrepreneur of the Year 2018.

TOP CZECH WOMEN 2020

The Executive Director, Radka Prokopova, has defended her previous year's victory in the businesswoman category of the prestigious 'Top women of the Czech Republic' survey. The judges evaluated the influence, performance and the business story, as well as the social contribution.

We have been making your life easier and more stylish for over 23 years

Alca PLAST®

1999
First inlet fill valve CH11



2000

2001
New production facilities



Alca
Introduction of premium product range ALCA

Alca PLAST Academy
SKOLICI STREDISKO TRAINING CENTRE

2009



Alcaplast Academy was established to support education of customers



reddot award 2014
winner

We have been rewarded Red Dot Award 2014 for collection of flush plates FLAT

2018 Opening of Hall C



We opened the largest production hall in history of the company with an area of 20 000 m²

60 000 m²
PRODUCTION AREA



DESIGN AWARD 2018

We have been rewarded iF Design Award 2018 for flush plates NIGHT LIGHT



2017-2020

CZECH 100 BEST

The success in the Best 100 Czech companies competition regularly confirms Alcaplast's exceptional position in the economic system of the Czech Republic

1999
Bath pop-up waste



2003
Launch of production of pre-wall installation systems

2009



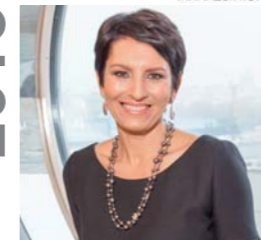
Launch of production of stainless steel shower drains ALCA

2015



Opening of production Hall D

2016



Victory of our Executive Director Radka Prokopová in the most prestigious managerial competition in the Czech Republic "Manager of the Year 2015"

2019



EY Entrepreneur Of The Year in the Czech Republic
2018 Award Winner

2020

Opening of a hall in Romania

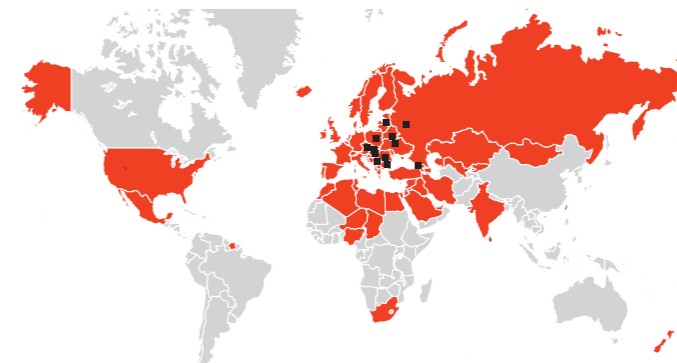


A new hall with an area of 1500 m² is opened in Sibiu, Romania

2012



Opening of production Hall B



ELEVEN INTERNATIONAL BRANCHES ALCAPLAST EXPORT TO MORE THAN 70 COUNTRIES WORLDWIDE



Pre-wall installation systems

Pre-wall installation systems	12
Pre-wall installation systems ECOLOGY	16
Pre-wall installation systems with ventilation	18
Pre-wall installation systems with top or front actuation	19
Pre-wall installation systems for wooden construction houses	21
Pre-wall installation systems for people with reduced mobility	22
Pre-wall installation systems Slim	23
Sanitary ware	24
Pre-wall installation systems – accessories	24
Insulation boards	27
Mounting frames for plumbing fixtures	30

Innovation in the pre-wall installation systems ALCA 2021

INNOVATION IN ATTACHMENT OF AN ANGLE VALVE TO THE CISTERN

Easier and faster installation to the water supply

Innovated cistern with a new all-in-one angle valve Shell.

INSTALLATION HOLES

Universal installation options

Thanks to the holes in the mounting frames, the installation system can be easily mounted in to plasterboard constructions, portable cabins or wooden constructions.

THREADED ROD WITH GROOVES

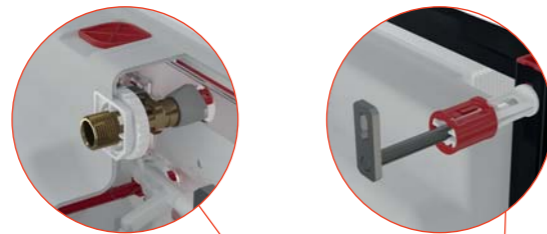
More convenient installation of WC bowl

The threaded rods newly include a groove for a speedier installation.

NEW RELIABLE FILL VALVE

Silent, fast, exceptionally durable

Specially developed for the pressure range of 0.05–1.6 MPa (0.5–16 bar). Exceptionally resistant to impurities in water.



EASY LOCK – A SET FOR WALL MOUNTING

Faster and easier installation

New construction solution allows an easy mount of the frame to a wall in half the time.

Exact setting

Optional additional adjustment to an optimal position using an allen key accessed via the front of the frame.

NEW CISTERN HANGING CLIPS WITH TWO-COMPONENT INSULATION

Anti-noise solution/insulation

Thanks to the two-component material, the transmission of vibrations from the attachment between the cistern and the frame is isolated.

Convenient installation

The tilting of the cistern forward allows the installation in to a plasterboard construction, portable cabins and wooden constructions.

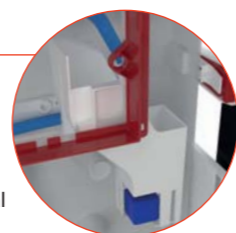
WC TABLETS DISPENSER

Perfect hygiene of the WC bowl

Discreet hygienic solution for all types of ceramic WC bowls. Also ideal for rimless WC bowls.

100% compatibility

It is compatible with all standard ALCA modules (with the exception of Slim and WOOD), inclusive of older WC systems.



Dispenser for inserting of WC tablets

- Included with each innovated WC system ALCA *
- Discreet toilet freshener
- Hygienic cleanliness of WC bowl – the ideal solution for rimflow WC bowls
- Easy operation
- Suitable for all types of WC cistern tablets
- Compatible with all ALCA pre-wall installation systems inclusive of older types *



*(with the exception of the Slim and WOOD systems)

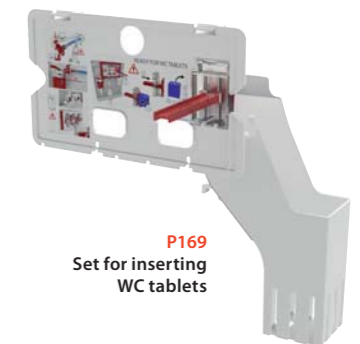


INCLUDED IN THE INNOVATED WC SYSTEMS

Dispenser of WC tablets is included with all innovated ALCA WC systems (with the exception of the Slim and WOOD systems) and is included in the price. (with the exception of the Slim and WOOD systems).

SEPARATE WC TABLETS DISPENSER

It is possible to add a WC tablets dispenser to older, already existing built-in types of ALCA systems (with the exception of Slim and WOOD) using the order code P169.



TILTING MECHANISM FOR EASIER INSERTION OF WC TABLETS

- Compatible with flush plates THIN, FUN, TURN and AIR in all surface finishes



M770-M778



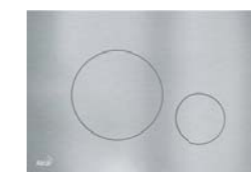
M670-M678



M570-M578



FUN



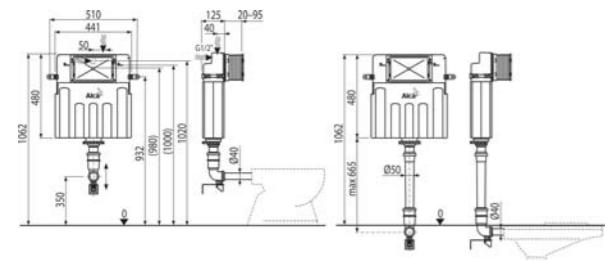
TURN



AIR



AM112 Basicmodul
Wall concealed WC cistern

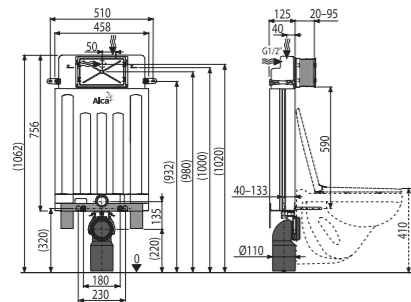


Quantity (packing)	1 pc
Quantity (pallet)	20 pcs
Dimensions (piece)	1050x480x140 mm
Weight (piece)	4,5453 kg
Small/big flush	2,5-3,5 l/6-9 l
Installation height	1062 mm



15
YEAR GUARANTEE

AM100/1000 Alcamodul
Pre-wall installation system for building into solid walls

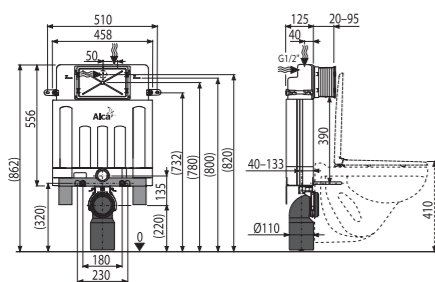


Quantity (packing)	1 pc
Quantity (pallet)	20 pcs
Dimensions (piece)	1045x140x475 mm
Weight (piece)	7,48 kg
Small/big flush	2,5-3,5 l/6-9 l
Installation height	1062 mm



15
YEAR GUARANTEE

AM100/850 Alcamodul
Pre-wall installation system for building into solid walls

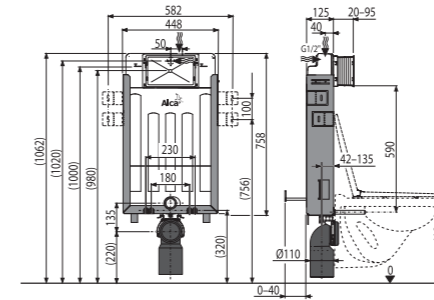


Quantity (packing)	1 pc
Quantity (pallet)	20 pcs
Dimensions (piece)	1045x140x475 mm
Weight (piece)	7,0327 kg
Small/big flush	2,5-3,5 l/6-9 l
Installation height	862 mm



15
YEAR GUARANTEE

AM115/1000 Renovmodul
Pre-wall installation system for building into solid walls

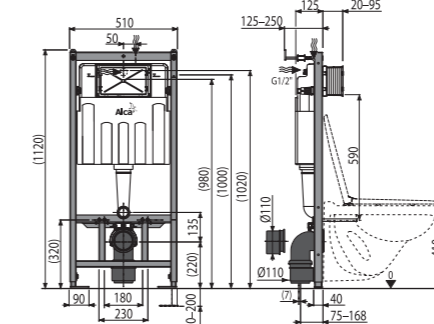


Quantity (packing)	1 pc
Quantity (pallet)	20 pcs
Dimensions (piece)	1045x140x475 mm
Weight (piece)	9,7968 kg
Small/big flush	2,5-3,5 l/6-9 l
Installation height	1062 mm



15
YEAR GUARANTEE

AM101/1120 Sádromodul
Pre-wall installation system for dry build up (plasterboard)

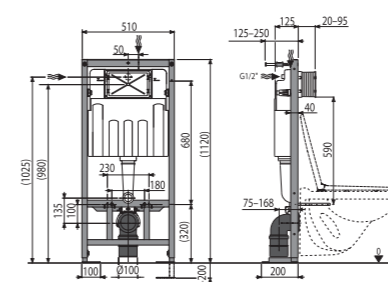


Quantity (packing)	1 pc
Quantity (pallet)	20 pcs
Dimensions (piece)	1130x145x520 mm
Weight (piece)	13,8879 kg
Small/big flush	2,5-3,5 l/6-9 l
Installation height	1120 mm



15
YEAR GUARANTEE

AM101/1120F Sádromodul
Pre-wall installation system for dry build up (plasterboard)



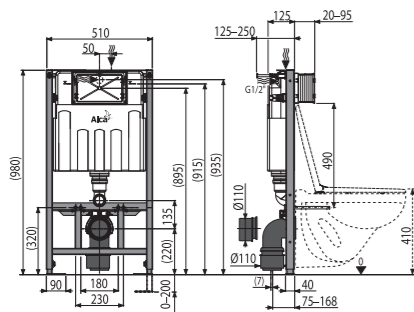
Quantity (packing)	1 pc
Quantity (pallet)	20 pcs
Dimensions (piece)	1130x145x520 mm
Weight (piece)	13,8879 kg
Small/big flush	2,5-3,5 l/6-9 l
Installation height	1120 mm



15
YEAR GUARANTEE

AM101/1000 Sádromodul

Pre-wall installation system for dry build up (plasterboard)

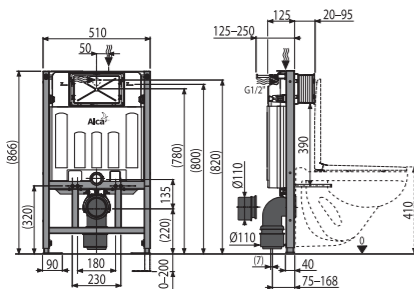


Quantity (packing)	1 pc
Quantity (pallet)	15 pcs
Dimensions (piece)	1130x145x520 mm
Weight (piece)	13,3652 kg
Small/big flush	2,5-3,5 l/6-9 l
Installation height	1062 mm



AM101/850 Sádromodul

Pre-wall installation system for dry build up (plasterboard)

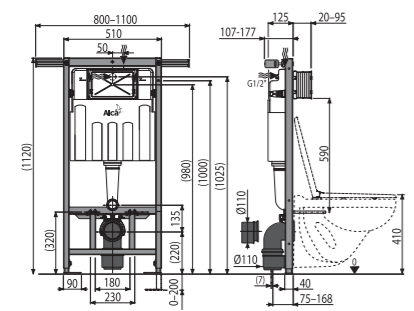


Quantity (packing)	1 pc
Quantity (pallet)	15 pcs
Dimensions (piece)	1130x145x520 mm
Weight (piece)	13,0316 kg
Small/big flush	2,5-3,5 l/6-9 l
Installation height	866 mm



AM102/1120 Jádromodul

Pre-wall installation system for dry build up (especially for renovation of concrete panel housing units)

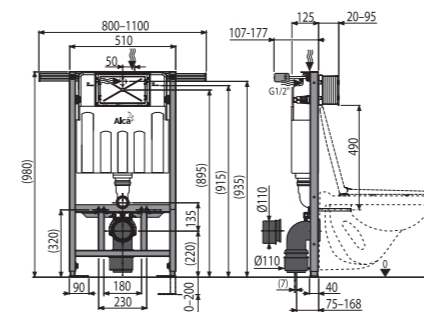


Quantity (packing)	1 pc
Quantity (pallet)	15 pcs
Dimensions (piece)	1130x145x520 mm
Weight (piece)	16,3248 kg
Small/big flush	2,5-3,5 l/6-9 l
Installation height	1120 mm



AM102/1000 Jádromodul

Pre-wall installation system for dry build up (especially for renovation of concrete panel housing units)

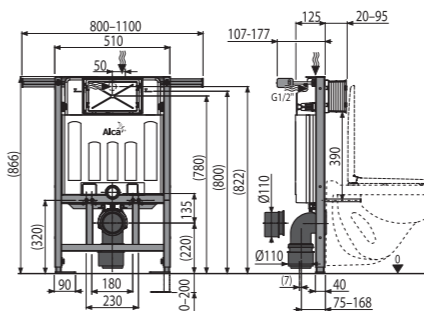


Quantity (packing)	1 pc
Quantity (pallet)	15 pcs
Dimensions (piece)	1130x145x520 mm
Weight (piece)	15,9829 kg
Small/big flush	2,5-3,5 l/6-9 l
Installation height	980 mm



AM102/850 Jádromodul

Pre-wall installation system for dry build up (especially for renovation of concrete panel housing units)

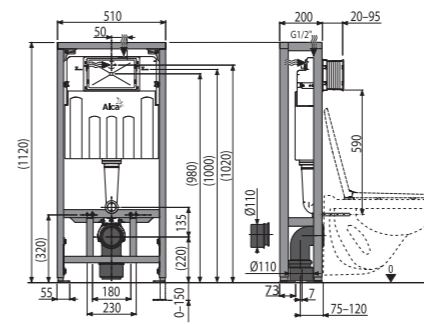


Quantity (packing)	1 pc
Quantity (pallet)	15 pcs
Dimensions (piece)	1130x145x520 mm
Weight (piece)	15,6493 kg
Small/big flush	2,5-3,5 l/6-9 l
Installation height	866 mm



AM116/1120 Solomodul

Pre-wall installation system for dry build up (self-supporting)

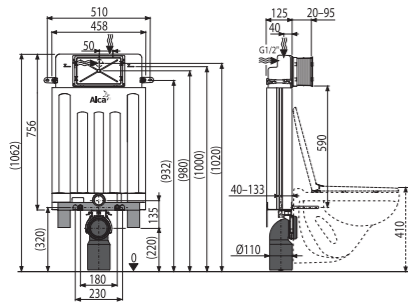


Quantity (packing)	1 pc
Quantity (pallet)	12 pcs
Dimensions (piece)	1195x220x525 mm
Weight (piece)	20,5019 kg
Small/big flush	2,5-3,5 l/6-9 l
Installation height	1120 mm



AM100/1000E Alcamodul

Pre-wall installation system ECOLOGY for building into solid walls

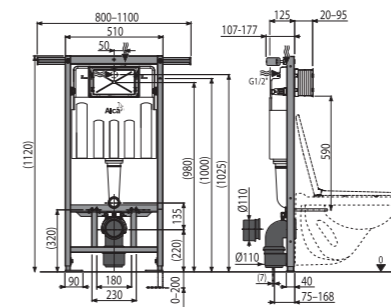


Quantity (packing)	1 pc
Quantity (pallet)	20 pcs
Dimensions (piece)	1045x140x475 mm
Weight (piece)	7,2856 kg
Small/big flush	2-4 l/3,5-6 l
Installation height	1062 mm



AM102/1120E Jádromodul

Pre-wall installation system ECOLOGY for dry build up (especially for renovation of concrete panel housing units)

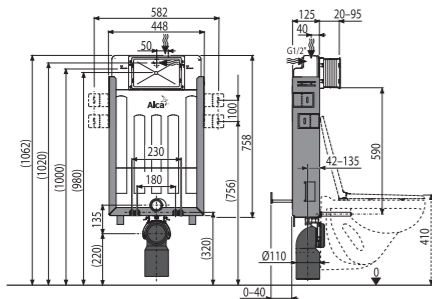


Quantity (packing)	1 pc
Quantity (pallet)	15 pcs
Dimensions (piece)	1130x145x520 mm
Weight (piece)	16,2582 kg
Small/big flush	2-4 l/3,5-6 l
Installation height	1120 mm



AM115/1000E Renovmodul

Pre-wall installation system ECOLOGY for building into solid walls

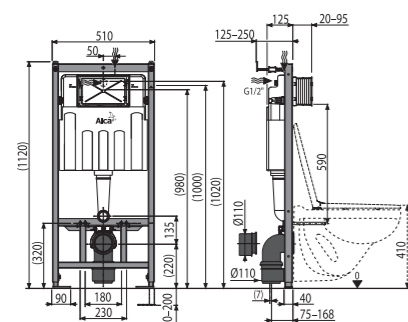


Quantity (packing)	1 pc
Quantity (pallet)	20 pcs
Dimensions (piece)	1045x140x475 mm
Weight (piece)	9,8327 kg
Small/big flush	2-4 l/3,5-6 l
Installation height	1062 mm



AM101/1120E Sádromodul

Pre-wall installation system ECOLOGY for dry build up (plasterboard)

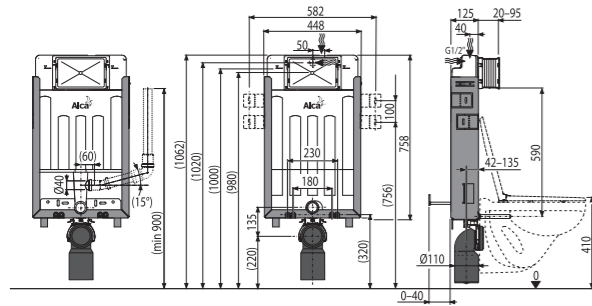


Quantity (packing)	1 pc
Quantity (pallet)	15 pcs
Dimensions (piece)	1130x145x520 mm
Weight (piece)	13,6405 kg
Small/big flush	2-4 l/3,5-6 l
Installation height	1120 mm



AM115/1000V Renovmodul

Pre-wall installation system with ventilation for building into solid walls

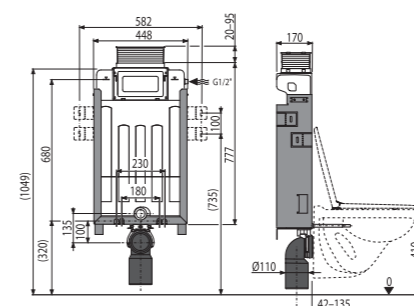


Quantity (packing)	1 pc
Quantity (pallet)	20 pcs
Dimensions (piece)	1045x140x475 mm
Weight (piece)	9,9458 kg
Small/big flush	2,5-3,5 l/6-9 l
Installation height	1062 mm



AM119/1000 Renovmodul

Pre-wall installation system for building into solid walls with top or front actuation

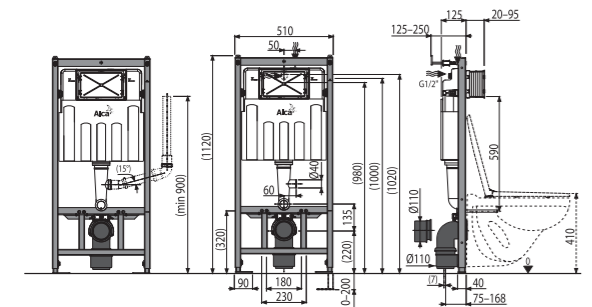


Quantity (packing)	1 pc
Quantity (pallet)	16 pcs
Dimensions (piece)	1040x465x180 mm
Weight (piece)	9,2355 kg
Small/big flush	2,5-3,5 l/6-9 l
Installation height	1062 mm



AM101/1120V Sádromodul

Pre-wall installation system with ventilation for dry build up (plasterboard)

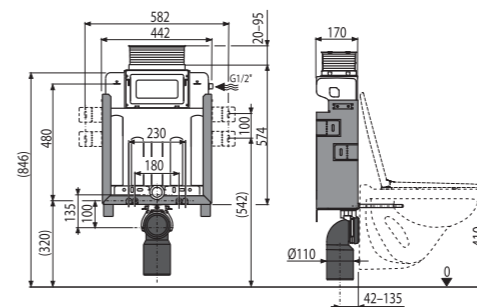


Quantity (packing)	1 pc
Quantity (pallet)	20 pcs
Dimensions (piece)	1130x145x520 mm
Weight (piece)	13,6676 kg
Small/big flush	2,5-3,5 l/6-9 l
Installation height	1120 mm



AM119/850 Renovmodul

Pre-wall installation system for building into solid walls with top or front actuation

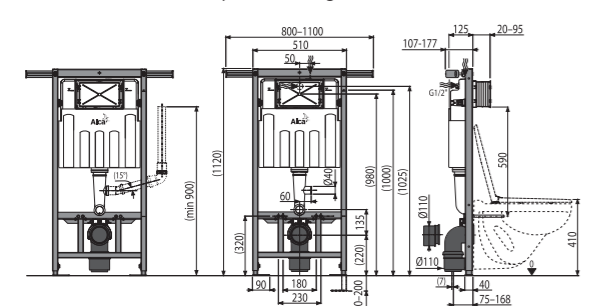


Quantity (packing)	1 pc
Quantity (pallet)	16 pcs
Dimensions (piece)	1040x465x180 mm
Weight (piece)	9,0889 kg
Small/big flush	2,5-3,5 l/6-9 l
Installation height	862 mm



AM102/1120V Jádromodul

Pre-wall installation system with ventilation for dry build up (especially for renovation of concrete panel housing units)

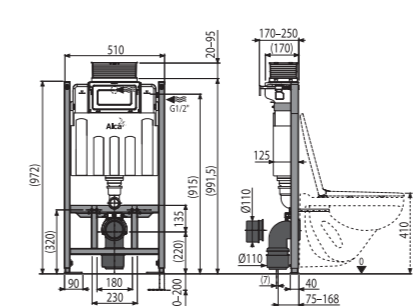


Quantity (packing)	1 pc
Quantity (pallet)	15 pcs
Dimensions (piece)	1130x145x520 mm
Weight (piece)	16,3556 kg
Small/big flush	2,5-3,5 l/6-9 l
Installation height	1120 mm



AM118/1000 Sádromodul

Pre-wall installation system for dry build up (plasterboard) with top or front actuation

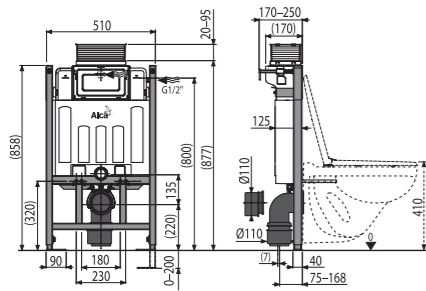


Quantity (packing)	1 pc
Quantity (pallet)	16 pcs
Dimensions (piece)	998x526x178 mm
Weight (piece)	12,2668 kg
Small/big flush	2,5-3,5 l/6-9 l
Installation height	978 mm



AM118/850 Sádromodul

Pre-wall installation system for dry build up (plasterboard) with top or front actuation

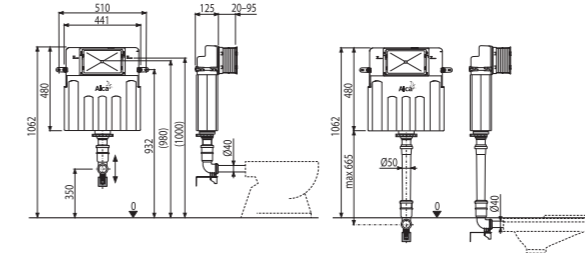


Quantity (packing)	1 pc
Quantity (pallet)	16 pcs
Dimensions (piece)	998x526x178 mm
Weight (piece)	12,012 kg
Small/big flush	2,5-3,5 I/6-9 I
Installation height	858 mm



AM112W Basicmodul

Wall concealed WC cistern

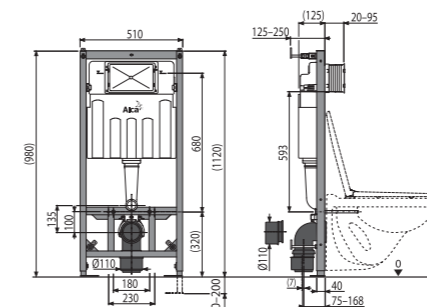


Quantity (packing)	1 pc
Quantity (pallet)	20 pcs
Dimensions (piece)	1050x480x140 mm
Weight (piece)	4,8454 kg
Small/big flush	2,5-3,5 I/6-9 I
Installation height	1062 mm



AM101/1120W Sádromodul

Pre-wall installation system for dry build up (plasterboard)

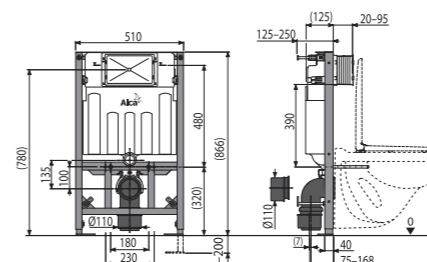


Quantity (packing)	1 pc
Quantity (pallet)	15 pcs
Dimensions (piece)	1130x145x520 mm
Weight (piece)	14,3208 kg
Small/big flush	2,5-3,5 I/6-9 I
Installation height	1120 mm



AM101/850W Sádromodul

Pre-wall installation system for dry build up (plasterboard)

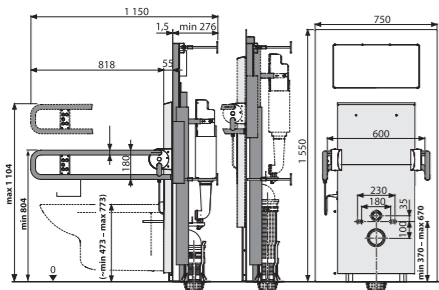


Quantity (packing)	1 pc
Quantity (pallet)	15 pcs
Dimensions (piece)	1130x145x520 mm
Weight (piece)	14,0995 kg
Small/big flush	2,5-3,5 I/6-9 I
Installation height	866 mm



AM101/1500L Medic Assistant

Pre-wall installation system for dry build up, height adjustable – for people with reduced mobility



Quantity (packing)	1 pc
Quantity (pallet)	1 pcs
Dimensions (piece)	1686×835×654 mm
Weight (piece)	105,802 kg
Small/big flush	2-9 l/2-9 l
Installation height	1550 mm

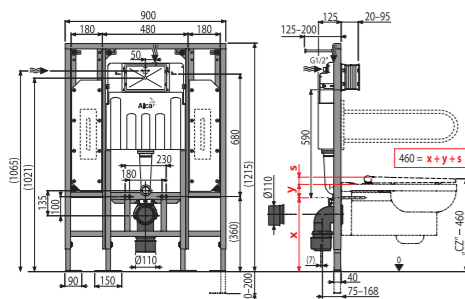


15
YEAR GUARANTEE

Toilet bowl not included

AM101/1300H Sádromodul

Pre-wall installation system for dry build up (plasterboard) – for people with reduced mobility



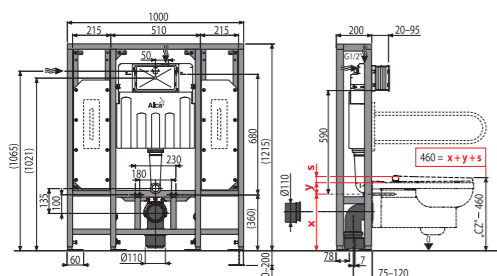
Quantity (packing)	1 pc
Quantity (pallet)	10 pcs
Dimensions (piece)	1195×145×520 mm
Weight (piece)	30,9555 kg
Small/big flush	2,5-3,5 l/6-9 l
Installation height	1274 mm



15
YEAR GUARANTEE

AM116/1300H Solomodul

Pre-wall installation system for dry build up (self-supporting) – for people with reduced mobility



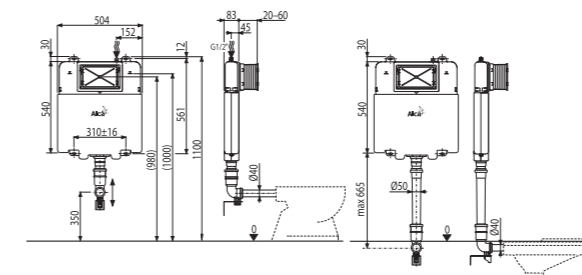
Quantity (packing)	1 pc
Quantity (pallet)	5 pcs
Dimensions (piece)	1010×1285×210 mm
Weight (piece)	46,0403 kg
Small/big flush	2,5-3,5 l/6-9 l
Installation height	1274 mm



15
YEAR GUARANTEE

AM1112 Basicmodul Slim

Wall concealed WC cistern



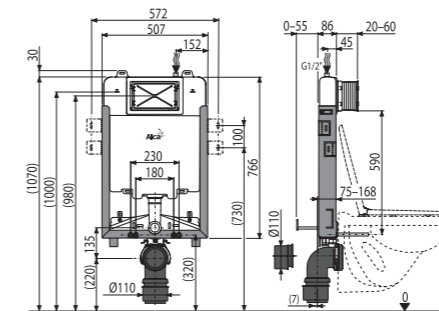
Quantity (packing)	1 pc
Quantity (pallet)	20 pcs
Dimensions (piece)	965×515×110 mm
Weight (piece)	5,2697 kg
Small/big flush	3 l/6 l
Installation height	1100 mm



15
YEAR GUARANTEE

AM1115/1000 Renovmodul Slim

Pre-wall installation system for building into solid walls



Quantity (packing)	1 pc
Quantity (pallet)	20 pcs
Dimensions (piece)	1086×528×145 mm
Weight (piece)	9,8337 kg
Small/big flush	3 l/6 l
Installation height	1070 mm

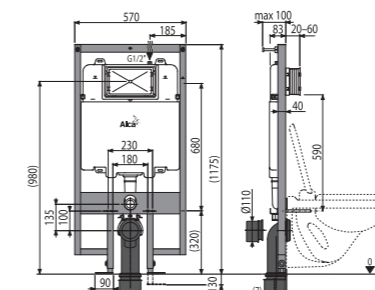


15
YEAR GUARANTEE

AM1101/1200 Sádromodul Slim

Pre-wall installation system for dry build up (plasterboard)

N FROM II. Q.



Quantity (packing)	1 pc
Quantity (pallet)	15 pcs
Dimensions (piece)	1210×140×590 mm
Weight (piece)	16,4478 kg
Small/big flush	3 l/6 l
Installation height	1175 mm



15
YEAR GUARANTEE

WC ALCA
Wall-hung WC



Quantity (packing)	1 pc
Quantity (pallet)	12 pcs
Material	ceramics

WS ALCA
Waste sink with cover grid



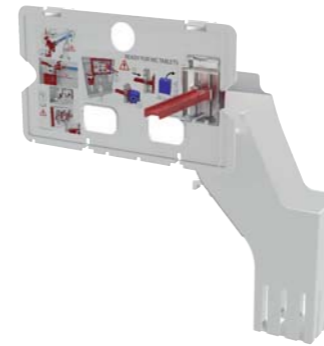
Quantity (packing)	1 pc
Quantity (pallet)	12 pcs
Material	ceramics

WC Alca MEDIC
Wall-hung WC for people with reduced mobility



Quantity (packing)	1 pc
Quantity (pallet)	6 pcs
Material	ceramics

P169
Set for inserting WC tablets



Quantity (packing)	24 pcs
Quantity (pallet)	672 pcs
Material	plastic

N

M906
Elbow waste connector set DN90/110



Quantity (packing)	20 pcs
Quantity (pallet)	320 pcs
Material	polyethylene

M908
Elbow waste connector set DN90/90



Quantity (packing)	20 pcs
Quantity (pallet)	320 pcs
Material	polyethylene

WC RIMFLOW
Wall-hung WC



Quantity (packing)	1 pc
Quantity (pallet)	12 pcs
Material	ceramics

AC01
Bidet TREND



Quantity (packing)	1 pc
Quantity (pallet)	6 pcs
Material	ceramics

P128
Extraction fan for pre-wall installation systems with ventilation



Quantity (packing)	7 pcs
Quantity (pallet)	112 pcs
Material	plastic

M907
Reduction set DN90/110



Quantity (packing)	60 pcs
Quantity (pallet)	960 pcs
Material	polyethylene

M909
Double elbow 90° with sealing



Quantity (packing)	10 pcs
Quantity (pallet)	160 pcs
Material	polyethylene

M968
Elbow waste connector set DN90 Slim

N FROM II. Q



Quantity (packing)	20 pcs
Quantity (pallet)	320 pcs
Material	polyethylene

P115
Water flow speed regulator



Quantity (packing)	100 pcs
Quantity (pallet)	3200 pcs
Material	polypropylene

M9006
Elbow waste connector DN90/110 flexi



Quantity (packing)	25 pcs
Quantity (pallet)	400 pcs
Material	polypropylene

P103
Water supply console G1/2"



Quantity (packing)	1 pcs
Quantity (pallet)	- pcs
Material	brass, powder-coated metal

MS906
Elbow waste connector set DN90/110 Slim



Quantity (packing)	10 pcs
Quantity (pallet)	160 pcs
Material	PVC

M900
Accessories set



Quantity (packing)	15 pcs
Quantity (pallet)	240 pcs
Material	polypropylene, galvanized metal

M9000
Complete extended accessories to be used with WC for handicapped



Quantity (packing)	10 pcs
Quantity (pallet)	160 pcs
Material	polypropylene, galvanized metal

M901

Inlet seal + outlet + wrapping seal 45x58x25



Quantity (packing)	50 pcs
Quantity (pallet)	800 pcs
Material	polypropylene

M147

Extended connector to be used with WC for handicapped



Quantity (packing)	75 pcs
Quantity (pallet)	2100 pcs
Material	polypropylene

M902

Drainage seal + connector + connector seal



Quantity (packing)	20 pcs
Quantity (pallet)	320 pcs
Material	polypropylene

M91

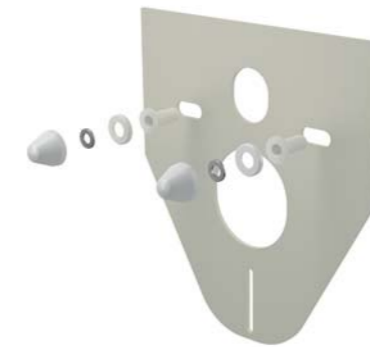
Noise insulation for wall-hung WC toilets and bidets



Quantity (packing)	150 pcs
Quantity (pallet)	600 pcs
Material	XPLE

M910

Noise insulation for wall-hung WC toilets and bidets with accessories including cover cap (white)



Quantity (packing)	50 pcs
Quantity (pallet)	800 pcs
Material	XPLE

M910CR

Noise insulation for wall-hung WC toilets and bidets with accessories including cover cap (chrome)



Quantity (packing)	50 pcs
Quantity (pallet)	800 pcs
Material	XPLE

M148

Complete extended accessories to be used with WC for handicapped



Quantity (packing)	15 pcs
Quantity (pallet)	240 pcs
Material	polypropylene

M90

Legs for pre-wall installation systems



Quantity (packing)	1 pcs
Quantity (pallet)	- pcs
Material	powder-coated metal

P118

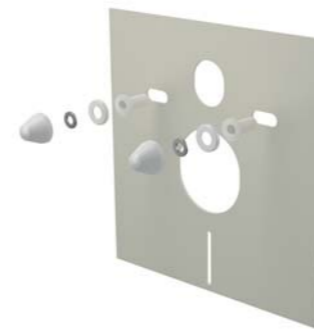
Prolonged legs for pre-wall installation systems



Quantity (packing)	1 pcs
Quantity (pallet)	- pcs
Material	powder-coated metal

M930

Noise insulation for wall-hung WC toilets and bidets with accessories including cover cap (white)



Quantity (packing)	50 pcs
Quantity (pallet)	800 pcs
Material	XPLE

M930CR

Noise insulation for wall-hung WC toilets and bidets with accessories including cover cap (chrome)



Quantity (packing)	50 pcs
Quantity (pallet)	800 pcs
Material	XPLE

M920

Noise insulation for floor standing WC toilets and bidets



Quantity (packing)	150 pcs
Quantity (pallet)	600 pcs
Material	XPLE

M918

Adapter for corner installations



Quantity (packing)	40 pcs
Quantity (pallet)	1120 pcs
Material	plastic, galvanized metal, stainless steel

M940

Noise insulation for wall-hung wash-basins



Quantity (packing)	100 pcs
Quantity (pallet)	600 pcs
Material	XPLE






M950

Noise insulation for wall-hung urinals



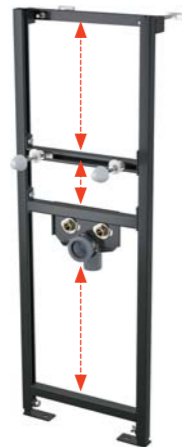
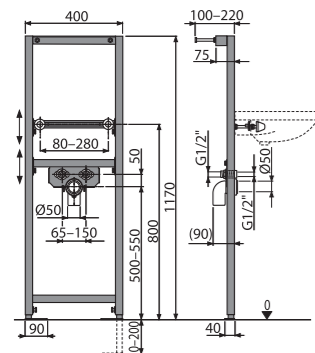
Quantity (packing)	60 pcs
Quantity (pallet)	240 pcs
Material	XPLE

PRE-WALL INSTALLATION SYSTEMS CHARACTERISTICS

Code	For building into solid walls	For dry build up	For wooden construction houses 	ECOLOGY 	With ventilation 	Slim	Top actuation 	For people with reduced mobility	Self-supporting/ In front of supporting wall	WC tablets dispenser 
Wall concealed WC cistern										
AM112	■			■						■
AM112W			■	■						
AM1112	■			■		■				
Alcamodul										
AM100/1000	■			■						■
AM100/1000E	■			■						■
AM100/850	■									■
Sádromodul										
AM101/1000	□	■		■						■
AM101/1000E	□	■		■						■
AM101/1120	□	■		■						■
AM101/1120E	□	■		■						■
AM101/1120F	□	■		■						■
AM101/1120V	□	■		■	■					■
AM101/1120W			■	■						
AM101/1300H	□	■		■				■		■
AM101/850	□	■								■
AM1101/1200	□	■				■				
AM118/1000	□	■		■			■			■
AM118/850	□	■					■			■
AM101/850W			■	■						
Jádromodul										
AM102/1000	□	■		■						■
AM102/1120	□	■		■						■
AM102/1120E	□	■		■						■
AM102/1120V	□	■		■	■					■
AM102/850	□	■								■
Renovmodul										
AM115/1000	■			■						■
AM115/1000E	■			■						■
AM115/1000V	■			■	■					■
AM115/1000	■			■		■				
AM119/1000	■			■			■			■
AM119/850	■						■			■
Solomodul										
AM116/1120	□	■		■					■	■
AM116/1300H	□	■		■				■	■	■
Medic Assistant										
AM101/1500L								■	■	

- basic characteristic
- it can also be built into solid walls
- it can be easily converted to ECOLOGY module by replacing for A06E flush valve

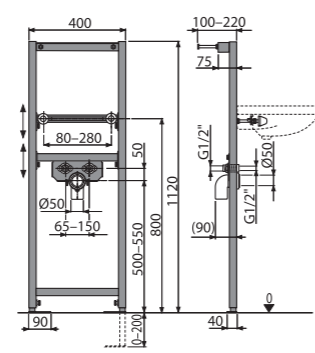
A104/1200
Mounting frame for wash-basin



15
YEAR GUARANTEE

Quantity (packing)	1 pc
Quantity (pallet)	30 pcs
Dimensions (piece)	1195x410x82 mm
Weight (piece)	9,3358 kg
Installation height	1170 mm

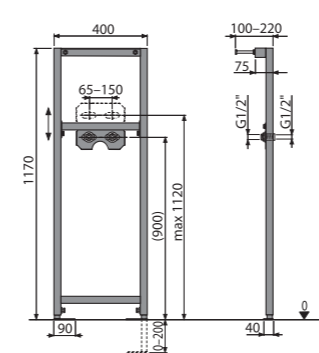
A104/1120
Mounting frame for wash-basin



15
YEAR GUARANTEE

Quantity (packing)	1 pc
Quantity (pallet)	30 pcs
Dimensions (piece)	1195x82x410 mm
Weight (piece)	8,342 kg
Installation height	1120 mm

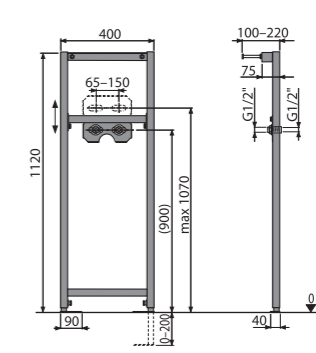
A104B/1200
Mounting frame for faucet



15
YEAR GUARANTEE

Quantity (packing)	1 pc
Quantity (pallet)	30 pcs
Dimensions (piece)	1195x410x82 mm
Weight (piece)	8,2785 kg
Installation height	1170 mm

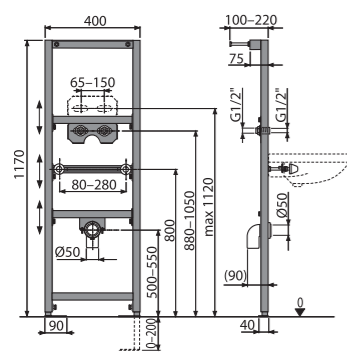
A104B/1120
Mounting frame for faucet



15
YEAR GUARANTEE

Quantity (packing)	1 pc
Quantity (pallet)	30 pcs
Dimensions (piece)	1195x82x410 mm
Weight (piece)	7,2847 kg
Installation height	1120 mm

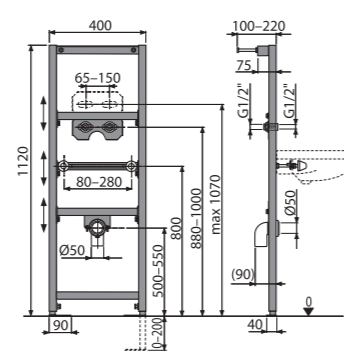
A104A/1200
Mounting frame for wash-basin and faucet



15
YEAR GUARANTEE

Quantity (packing)	1 pc
Quantity (pallet)	30 pcs
Dimensions (piece)	1195x410x82 mm
Weight (piece)	10,1397 kg
Installation height	1170 mm

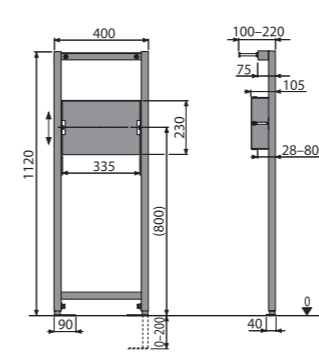
A104A/1120
Mounting frame for wash-basin and tap



15
YEAR GUARANTEE

Quantity (packing)	1 pc
Quantity (pallet)	30 pcs
Dimensions (piece)	1195x82x410 mm
Weight (piece)	9,1422 kg
Installation height	1120 mm

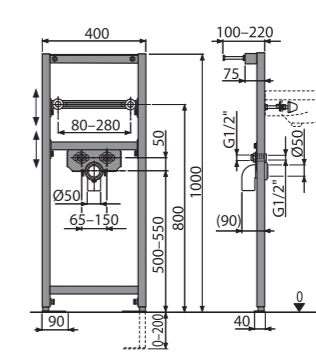
A104PB/1120
Mounting frame for built-in mixer



15
YEAR GUARANTEE

Quantity (packing)	1 pc
Quantity (pallet)	30 pcs
Dimensions (piece)	1195x410x82 mm
Weight (piece)	7,2847 kg
Installation height	1120 mm

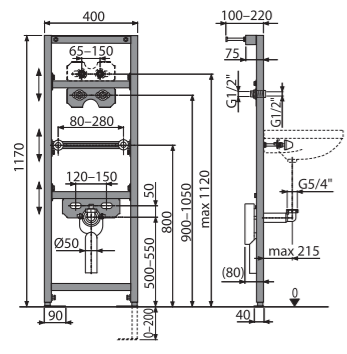
A104/1000
Mounting frame for wash-basin



15
YEAR GUARANTEE

Quantity (packing)	1 pc
Quantity (pallet)	30 pcs
Dimensions (piece)	1195x410x82 mm
Weight (piece)	7,8799 kg
Installation height	1000 mm

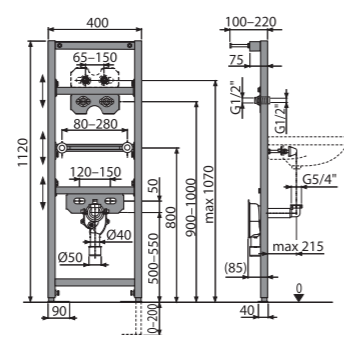
A104AVS/1200
Mounting frame for wash-basin and faucet with built-in trap



15
YEAR GUARANTEE

Quantity (packing)	1 pc
Quantity (pallet)	30 pcs
Dimensions (piece)	1195x410x82 mm
Weight (piece)	9,503 kg
Installation height	1170 mm

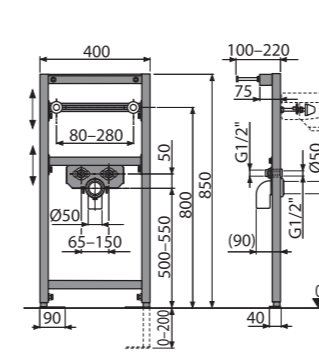
A104AVS/1120
Mounting frame for wash-basin and tap with built-in trap



15
YEAR GUARANTEE

Quantity (packing)	1 pc
Quantity (pallet)	30 pcs
Dimensions (piece)	1195x82x410 mm
Weight (piece)	6,614 kg
Installation height	1120 mm

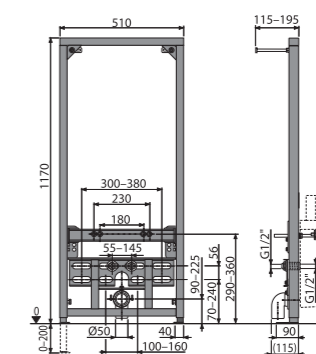
A104/850
Mounting frame for wash-basin



15
YEAR GUARANTEE

Quantity (packing)	1 pc
Quantity (pallet)	30 pcs
Dimensions (piece)	1195x410x82 mm
Weight (piece)	7,4637 kg
Installation height	850 mm

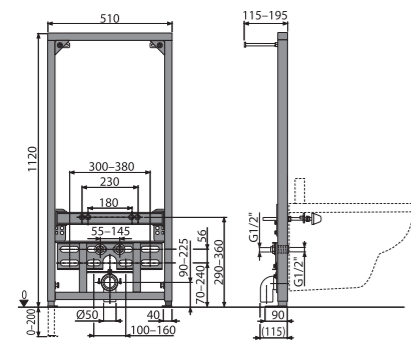
A105/1200
Mounting frame for bidet



15
YEAR GUARANTEE

Quantity (packing)	1 pc
Quantity (pallet)	20 pcs
Dimensions (piece)	1190x523x90 mm
Weight (piece)	11,7195 kg
Installation height	1170 mm

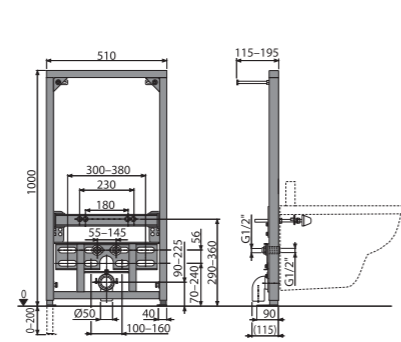
A105/1120
Mounting frame for bidet



Quantity (packing)	1 pc
Quantity (pallet)	18 pcs
Dimensions (piece)	1190x90x523 mm
Weight (piece)	11,8373 kg
Installation height	1120 mm



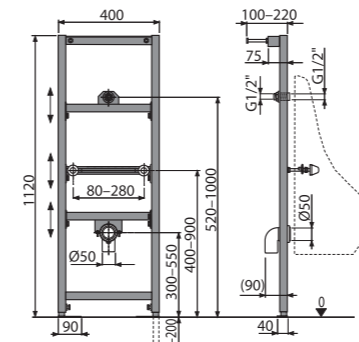
A105/1000
Mounting frame for bidet



Quantity (packing)	1 pc
Quantity (pallet)	20 pcs
Dimensions (piece)	1190x523x90 mm
Weight (piece)	10,9313 kg
Installation height	1000 mm



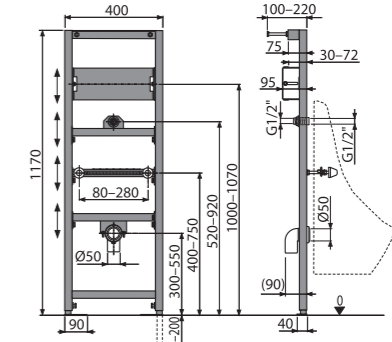
A107/1120
Mounting frame for urinal



Quantity (packing)	1 pc
Quantity (pallet)	30 pcs
Dimensions (piece)	1195x82x410 mm
Weight (piece)	8,7871 kg
Installation height	1120 mm



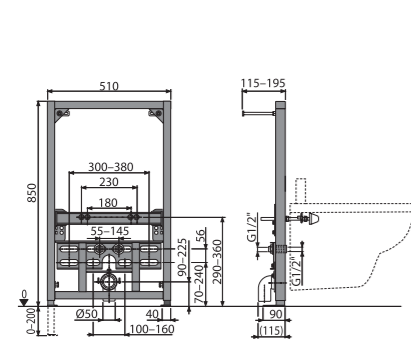
A107S/1200
Mounting frame for urinal and sensor



Quantity (packing)	1 pc
Quantity (pallet)	30 pcs
Dimensions (piece)	1195x410x82 mm
Weight (piece)	9,9233 kg
Installation height	1170 mm



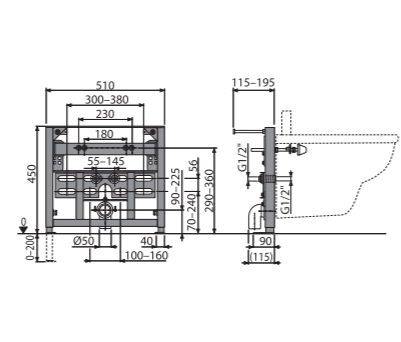
A105/850
Mounting frame for bidet



Quantity (packing)	1 pc
Quantity (pallet)	20 pcs
Dimensions (piece)	1190x523x90 mm
Weight (piece)	10,4653 kg
Installation height	850 mm



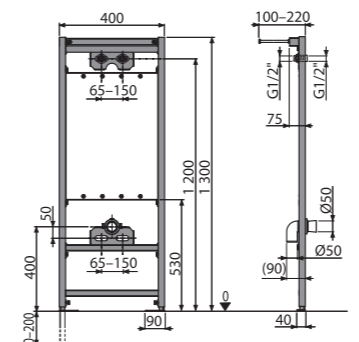
A105/450
Mounting frame for bidet



Quantity (packing)	1 pc
Quantity (pallet)	20 pcs
Dimensions (piece)	520x450x90 mm
Weight (piece)	8,724 kg
Installation height	450 mm



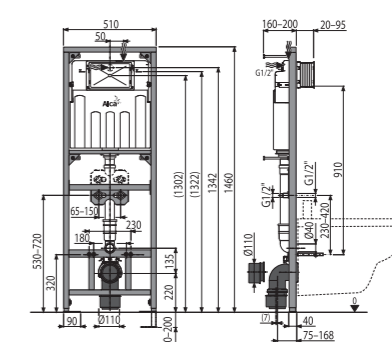
A108/1300
Mounting frame for waste sink and faucet



Quantity (packing)	1 pc
Quantity (pallet)	30 pcs
Dimensions (piece)	1195x510x82 mm
Weight (piece)	12,8705 kg
Installation height	1300 mm



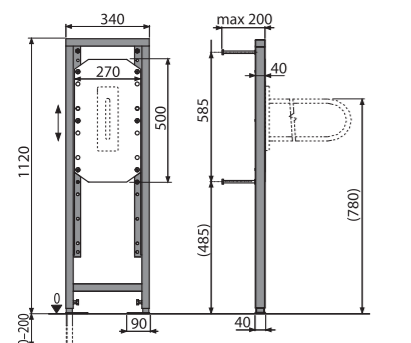
A108F/1500
Mounting frame with cistern for a waste sink with waste connection DN90/110 and faucet



Quantity (packing)	1 pc
Quantity (pallet)	10 pcs
Dimensions (piece)	1460x155x530 mm
Weight (piece)	17,3481 kg
Installation height	1460 mm



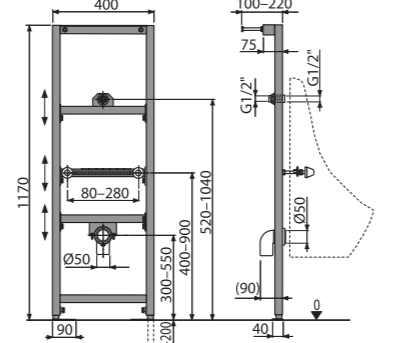
A106/1120
Mounting frame for handle



Quantity (packing)	1 pc
Quantity (pallet)	30 pcs
Dimensions (piece)	1195x410x82 mm
Weight (piece)	11,2151 kg
Installation height	1120 mm



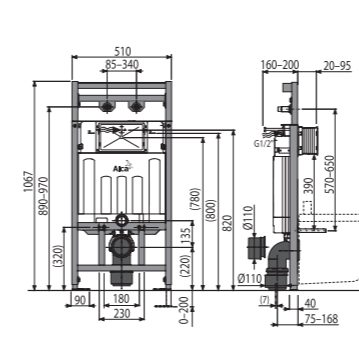
A107/1200
Mounting frame for urinal



Quantity (packing)	1 pc
Quantity (pallet)	30 pcs
Dimensions (piece)	1195x410x82 mm
Weight (piece)	9,7809 kg
Installation height	1170 mm



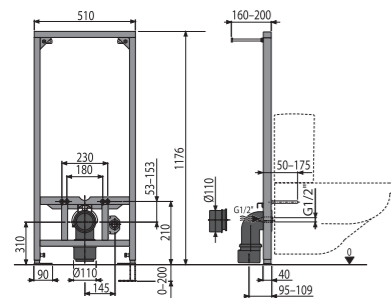
A108F/1100
Mounting frame with cistern for a waste sink with waste connection DN90/110 and faucet



Quantity (packing)	1 pc
Quantity (pallet)	15 pcs
Dimensions (piece)	1195x145x530 mm
Weight (piece)	15,8606 kg
Installation height	1067 mm



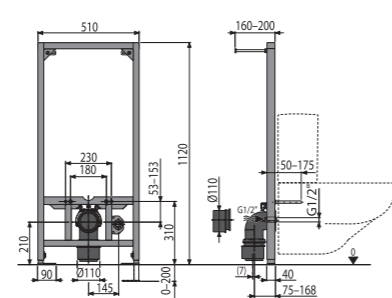
A113/1200
Mounting frame for wall-hung WC combi



Quantity (packing)	1 pc
Quantity (pallet)	15 pcs
Dimensions (piece)	1195x530x145 mm
Weight (piece)	11,2567 kg
Installation height	1176 mm



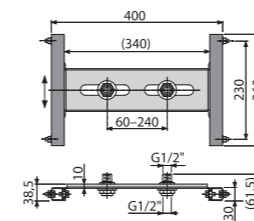
A113/1120
Mounting frame for wall-hung WC combi



Quantity (packing)	1 pc
Quantity (pallet)	15 pcs
Dimensions (piece)	1195x145x530 mm
Weight (piece)	11,1765 kg
Installation height	1120 mm



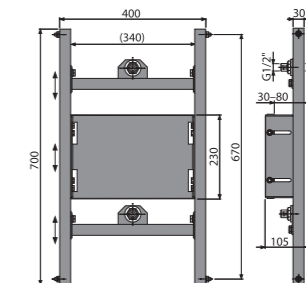
A117B
Mounting frame for faucet in plasterboard structure



Quantity (packing)	20 pcs
Quantity (pallet)	160 pcs
Dimensions (piece)	370x80x140 mm
Weight (piece)	1,9108 kg
Installation height	- mm



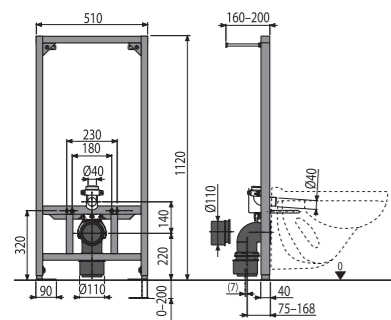
A117PB
Mounting frame for built-in mixer in plasterboard structure



Quantity (packing)	1 pc
Quantity (pallet)	40 pcs
Dimensions (piece)	800x133x470 mm
Weight (piece)	6,3274 kg
Installation height	- mm



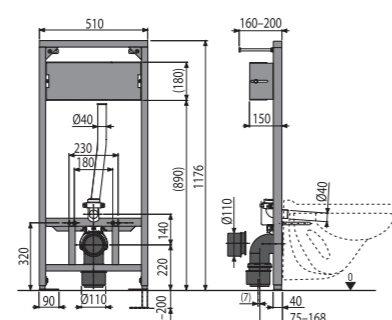
A114/1120
Mounting frame for wall-hung WC



Quantity (packing)	1 pc
Quantity (pallet)	15 pcs
Dimensions (piece)	1195x145x530 mm
Weight (piece)	11,3765 kg
Installation height	1120 mm



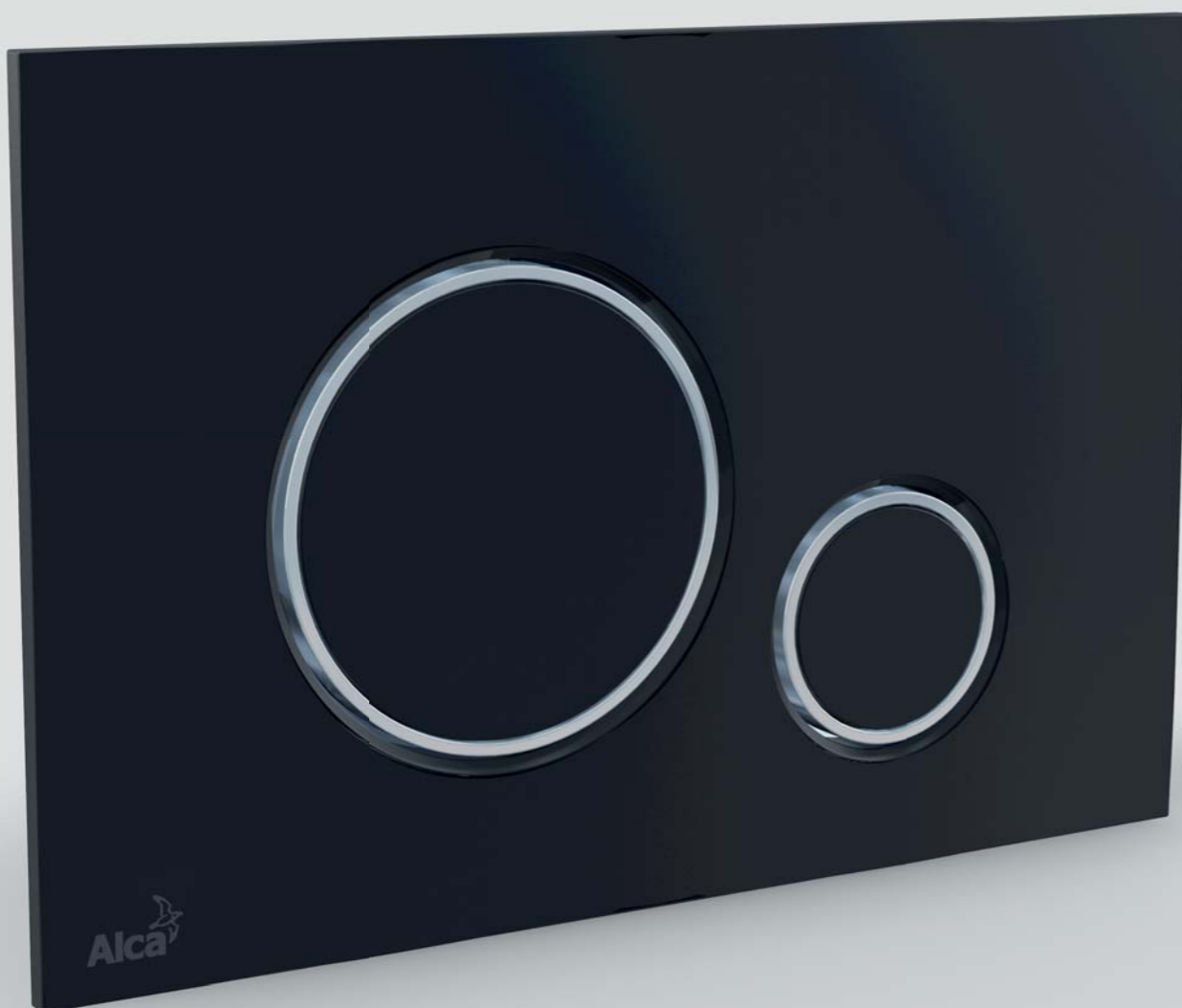
A114S/1200
Mounting frame for wall-hung WC and sensor



Quantity (packing)	1 pc
Quantity (pallet)	15 pcs
Dimensions (piece)	1195x530x145 mm
Weight (piece)	13,2026 kg
Installation height	1176 mm



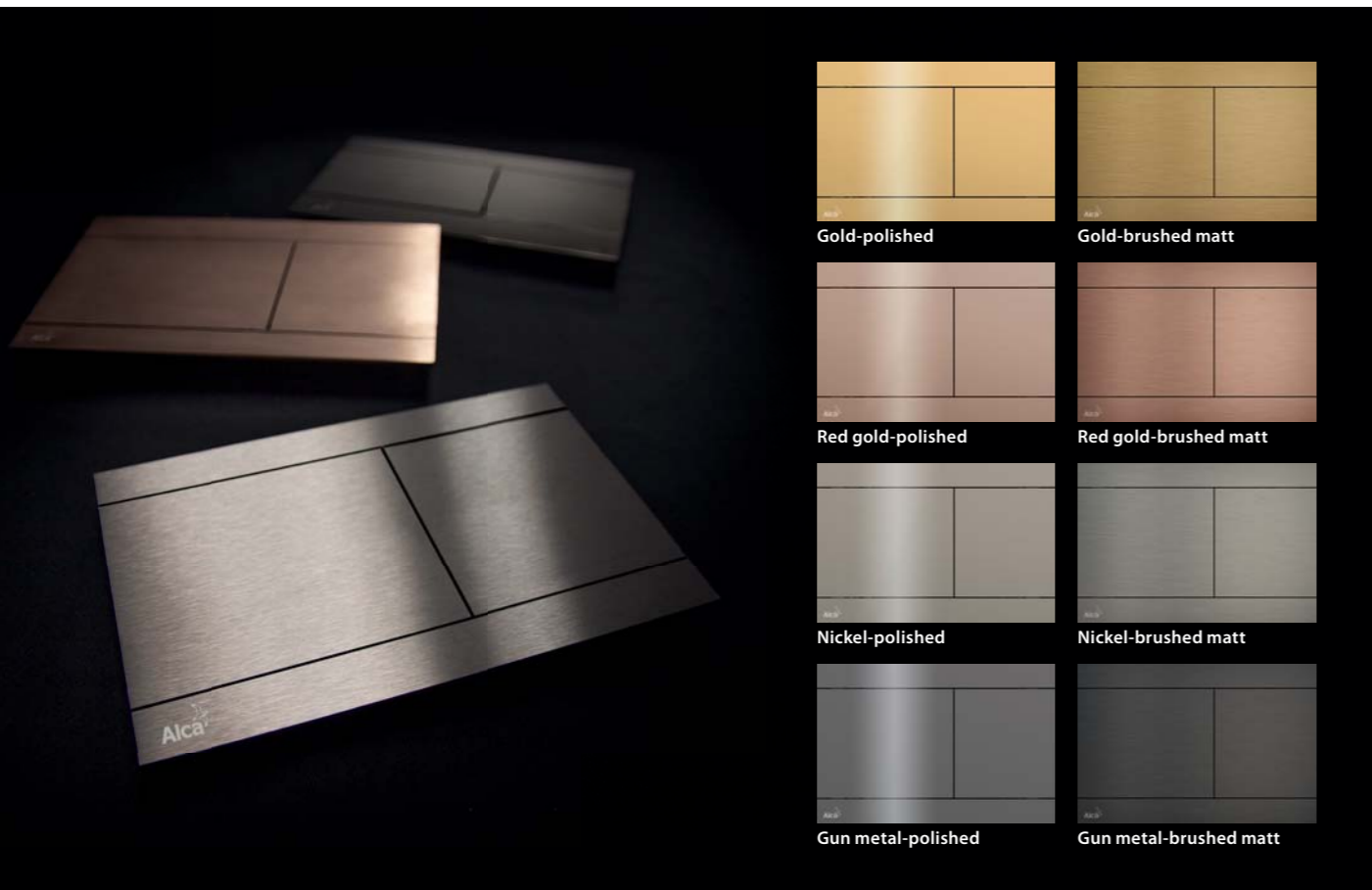
Flush plates and sensors



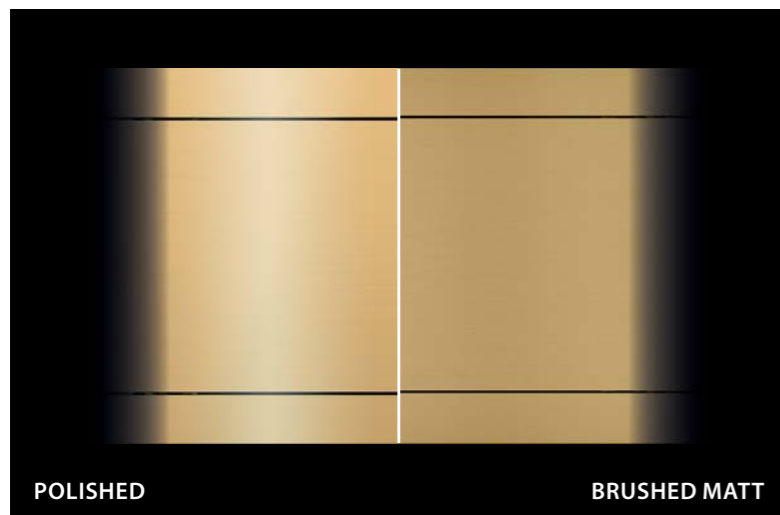
Flush plates for pre-wall installation systems	42
Flush plates THIN	42
Basic flush plates	42
Flush plates FLAT	43
Flush plates FLAT ALUNOX	43
Flush plates FLAT INOX	43
Flush plates FLAT COLOUR	43
Flush plates FLAT GLASS	43
Flush plates INDIVIDUAL	43
Flush plates FLAT BRONZE-ANTIC	43
Flush plates FLAT ALUNOX illuminated	43
Touch-free flush plates	43
Antivandal flush plates	44
Sensor program	44
Flush plates with sensor	44
Automatic WC flushing systems	44
Automatic flushing systems for urinals	44
Remote flushing	45
Sensor program power supply units	46

Flush plates INDIVIDUAL

The individuality of each person brings with it individual demands from interior design. That is why we are introducing to the market flush plates that combine attractive colours with extremely resistant surfaces. Thus creating a luxury product in the highest possible quality, resistant to any abrasion or scratching. The flush plates design can be matched not only to the premium water taps of leading manufactures, but also to other bathroom accessories available in the INDIVIDUAL range.



	
Gold-polished	Gold-brushed matt
	
Red gold-polished	Red gold-brushed matt
	
Nickel-polished	Nickel-brushed matt
	
Gun metal-polished	Gun metal-brushed matt



POLISHED

BRUSHED MATT

Four colours in two finishes

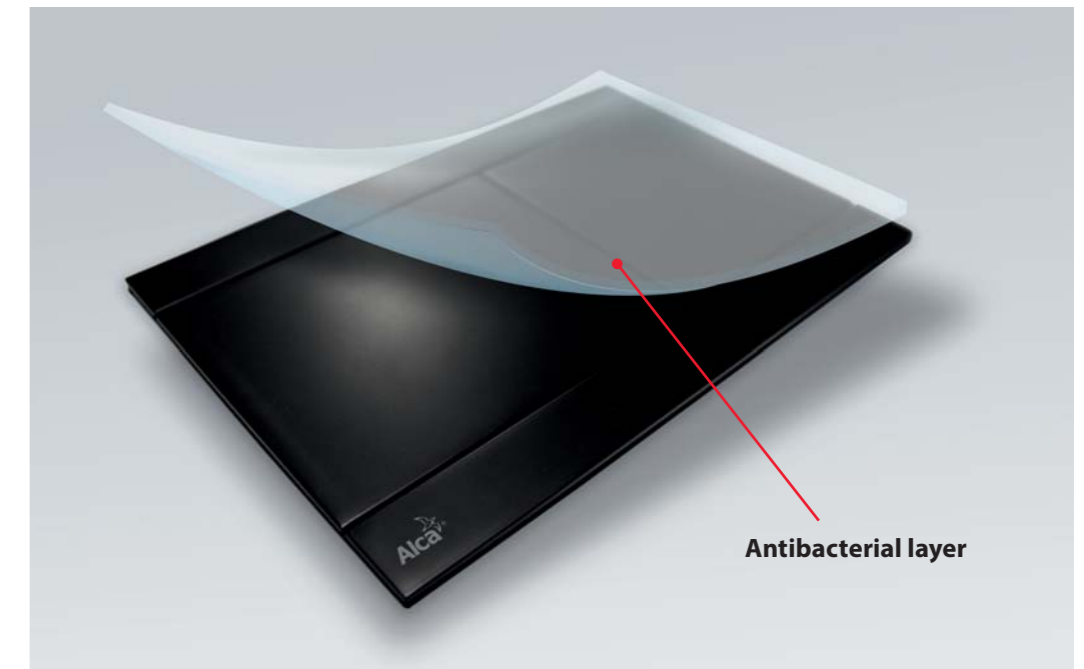
The best-selling flush plate FLAT FUN, the holder of the Red Dot 2014 design award, is newly offered in GOLD, RED GOLD, NICKEL and GUN METAL colours in either polished or brushed stainless steel finish. Whether you opt for the elegant finish in red gold, the dazzling gold, the subtle nickel or the modern gun metal colour, all surface finishes of the FLAT INDIVIDUAL flush plates guarantee the ultimate colour fastness and an extreme scratch resistance.

The complete INDIVIDUAL range can be found on page 190.

Flush plates ANTIBACTERIAL



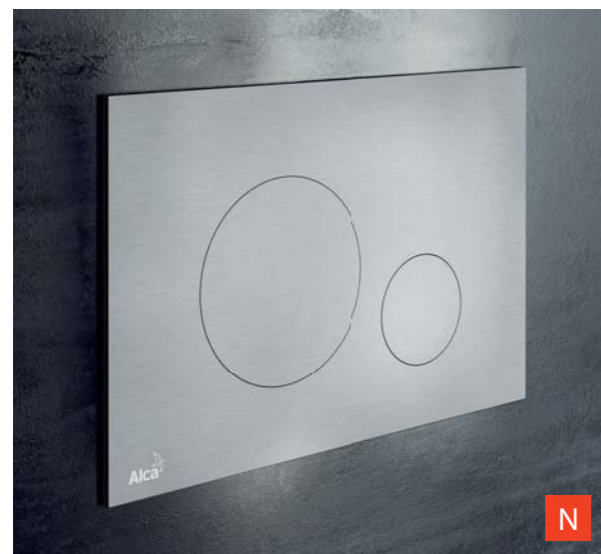
Selected flush plates in black-matt and white-matt finishes come with a new antibacterial surface treatment. The upper transparent varnish contains silver nanoparticles which have antibacterial properties and prevent the spread of unwanted micro-organisms on the surface of the flush plate. When you combine them with antibacterial toilet seats you can prevent the spread of bacteria in your bathroom more efficiently.



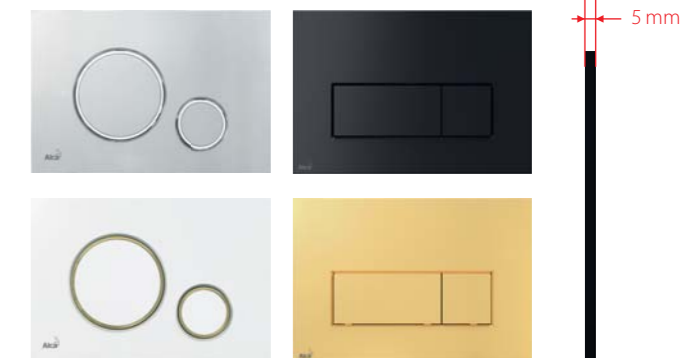
Safe environment without bacteria

The cleanliness of the toilet area is still a very important criteria when judging how people feel within it. Our unique technology in the surface treatment of selected flush plates ALCA creates an impeccable film which prevents the spread of bacteria. Because of their easy maintenance, they are ideal for the use in public areas where these specially treated surfaces are desirable (hospitals, restaurants, schools).

Flush plates FLAT



Flush plates THIN



The new flush plates THIN thanks to its flat profile stand out only five millimeters above the tiles. They are available in 3 designs and 6 surface finishes – white-polished, white-matt, chrome-polished, chrome-matt, black-matt and gold-polished.



New design of flush plate TURN

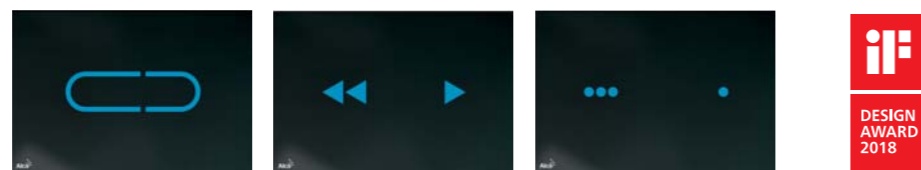
What is beautiful can be even more beautiful. The iconic flush plate TURN is introduced to the market in a new design. Its perfectly clean lines are not just beautiful to look at but bring with them a higher user comfort. The control mechanism of all the FLAT flush plates remains integrated into the wall and barely rises out from the tiling.

The plate itself is made of brushed metal, on which fingerprints are not visible. Furthermore, the FLAT flush plates are fully compatible with all our ALCA pre-wall installation systems. Flush plates FLAT won in a prestigious product-design competition Red Dot Award 2014.



Touch-free flush plates

We introduce our new touch-free flush plates NIGHT LIGHT, the winner of the international competition iF Design Award 2018 in the Product category of the Bathrooms section. Three design variants and sophisticated system of backlight settings and other parameters enables a unique look to any bathroom or toilet.



Barbora Škorpilová

Architect, designer and the creator of the FLAT flush plates, NIGHT LIGHT and M370 for Alcaplast, Barbora is today known for her association with the MIMOLIMIT studio which she founded in 2001.

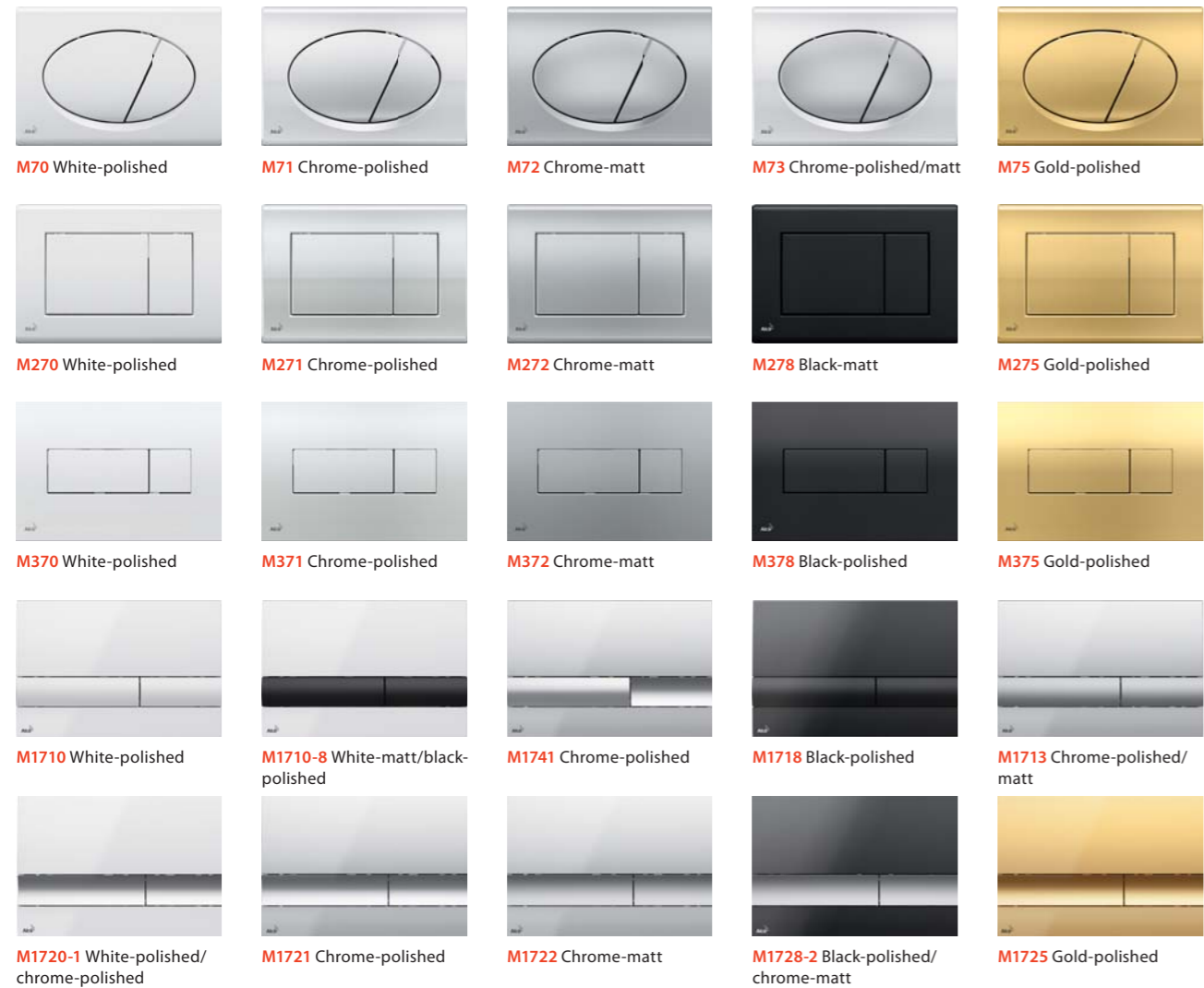


New antibacterial surface treatment of matt flush plates

The popular flush plates THIN in white-matt and black-matt finish have a new antibacterial treatment. The upper transparent varnish contains silver nanoparticles, which have antibacterial properties and prevent the spread of unwanted micro-organisms on the surface of the flush plate.



BASIC



THIN (THICKNESS 5 MM)



Quantity (packing) 25 pcs
 Quantity (pallet) 700 pcs
 THIN material, BASIC plastic

FLAT ALUNOX (ALUMINUM) / FLAT INOX (STAINLESS STEEL)



FLAT COLOUR (COLOUR HIGH GLOSS)



FLAT GLASS (GLASS)



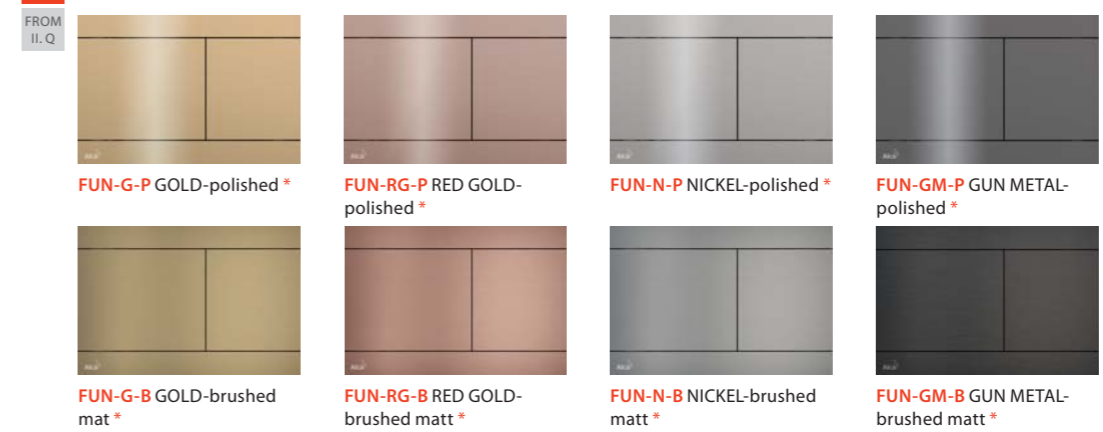
FLAT



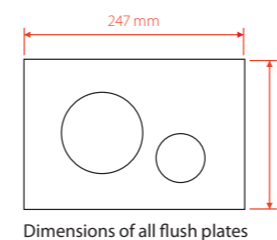
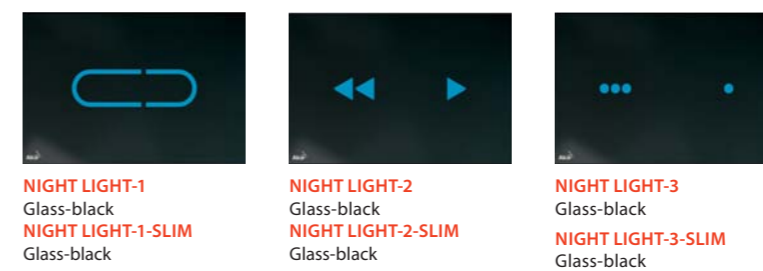
AIR LIGHT (ALUMINUM WITH ILLUMINATION)



INDIVIDUAL



TOUCH-FREE (GLASS)



Quantity (packing)	10 pcs
Quantity (pallet)	280 pcs
FLAT ALUNOX material	anodized aluminum, stainless steel
FLAT COLOUR material	stainless steel, painted colour finish
FLAT GLASS material	stainless steel, glass
AIR LIGHT material	anodized aluminum, stainless steel
FLAT BRONZE-ANTIC material	brass with bronze-antic finish
FUN-BRASS material	brass
INDIVIDUAL material	stainless steel with PVD finish

Quantity (packing)	6 pcs
Quantity (pallet)	96 pcs
NIGHT LIGHT material	glass

FLUSH PLATES AND SENSORS

ANTIVANDAL



M279 Metal

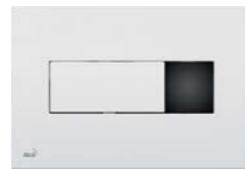


M279S Metal (AC power supply)

M279SB Metal (DC battery operated)

M279S-SLIM Metal (AC power supply)

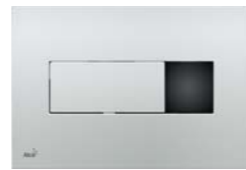
WITH SENSOR



M370S White (AC power supply)

M370SB White (DC battery operated)

M370S-SLIM White (AC power supply)



M371S Chrome-polished (AC power supply)

M371SB Chrome-polished (DC battery operated)

M371S-SLIM Chrome-polished (AC power supply)

Quantity (packing)	10 pcs
Quantity (pallet)	280 pcs
Material	stainless steel

Quantity (packing)	10 pcs
Quantity (pallet)	160 pcs
Material	plastic

ASP3

Automatic WC flushing system, chrome, 12 V (AC power supply)

ASP3-B

Automatic WC flushing system, chrome, 6 V (DC battery operated)



Quantity (packing)	12 pcs
Quantity (pallet)	192 pcs
Material	stainless steel, chrome-plated plastic

ASP3-K

Automatic WC flushing system, metal, 12 V (AC power supply)

ASP3-KB

Automatic WC flushing system, metal, 6 V (DC battery operated)



Quantity (packing)	12 pcs
Quantity (pallet)	192 pcs
Material	stainless steel

ASP3-KT

Automatic WC flushing system, metal, manual, 12 V (AC power supply)

ASP3-KBT

Automatic WC flushing system, metal, manual, 6 V (DC battery operated)



Quantity (packing)	12 pcs
Quantity (pallet)	192 pcs
Material	stainless steel

ASP4

Automatic flushing system for urinal, chrome, 12 V (AC power supply)

ASP4-B

Automatic flushing system for urinal, chrome, 6 V (DC battery operated)



Quantity (packing)	16 pcs
Quantity (pallet)	256 pcs
Material	stainless steel, chrome-plated plastic

ASP4-K

Automatic flushing system for urinal, metal, 12 V (AC power supply)

ASP4-KB

Automatic flushing system for urinal, metal, 6 V (DC battery supply)



Quantity (packing)	16 pcs
Quantity (pallet)	256 pcs
Material	stainless steel

ASP4-KT

Automatic flushing system for urinal, metal, manual, 12 V (AC power supply)



Quantity (packing)	16 pcs
Quantity (pallet)	256 pcs
Material	stainless steel

MPO10

Remote pneumatic flush for hand operation, white, installation: into the wall



Quantity (packing)	10 pcs
Quantity (pallet)	160 pcs
Material	ABS, polypropylene

MPO11

Remote pneumatic flush for hand operation, chrome-polished, installation: into the wall



Quantity (packing)	10 pcs
Quantity (pallet)	160 pcs
Material	chrome-plated plastic

MPO12

Remote pneumatic flush for foot operation, metal, installation: into the floor



Quantity (packing)	10 pcs
Quantity (pallet)	160 pcs
Material	stainless steel, ABS, polypropylene

MPO13

Remote pneumatic flush for foot operation, metal, installation: onto the wall



Quantity (packing)	10 pcs
Quantity (pallet)	160 pcs
Material	stainless steel, ABS, polypropylene

P120

Cover plate for pre-wall installation systems, alunox-matt



Quantity (packing)	25 pcs
Quantity (pallet)	700 pcs
Material	anodized aluminum

AEZ310

Power supply 230 V AC/12 V DC/12 W, IP20



Quantity (packing) 1 pc
Quantity (pallet) – pcs

AEZ311

Power supply 230 V AC/12 V DC/24 W, IP20



Quantity (packing) 1 pc
Quantity (pallet) – pcs

AEZ320

Power supply 230 V AC/12 V DC/18 W, IP67



Quantity (packing) 1 pc
Quantity (pallet) – pcs

POWER SUPPLY UNITS OVERVIEW

Code	Recommended power supply unit
APZ5 Spa backlight	
AEZ120	AEZ320
AEZ121	AEZ320
AEZ122	AEZ320
AEZ123	AEZ320
AEZ124	AEZ320
Illumination of flush plate AIR LIGHT	
AIR LIGHT	AEZ310
AIR LIGHT R	AEZ310
Automatic flushing systems for WC and urinals	
ASP3	AEZ310
ASP3-B	battery box 4x AA included in packaging
ASP3-K	AEZ310
ASP3-KB	battery box 4x AA included in packaging
ASP3-KBT	battery box 4x AA included in packaging
ASP3-KT	AEZ310
ASP4	AEZ310
ASP4-B	battery box 4x AA included in packaging
ASP4-K	AEZ310
ASP4-KB	battery box 4x AA included in packaging
ASP4-KT	AEZ310
ASP5-KB	battery box 4x AA included in packaging
Sensory flush plates	
M279S	AEZ310
M279SB	battery box 4x AA included in packaging
M370S	AEZ310
M370SB	battery box 4x AA included in packaging
M371S	AEZ310
M371SB	battery box 4x AA included in packaging
M372S	AEZ310
M279S-SLIM	AEZ310
M370S-SLIM	AEZ310
M371S-SLIM	AEZ310
Touch-free flush plates	
NIGHT LIGHT-1	power source unit included in packaging
NIGHT LIGHT-2	power source unit included in packaging
NIGHT LIGHT-3	power source unit included in packaging
NIGHT LIGHT-1-SLIM	power source unit included in packaging
NIGHT LIGHT-2-SLIM	power source unit included in packaging
NIGHT LIGHT-3-SLIM	power source unit included in packaging
Accessories for pre-wall installation systems with ventilation	
P128	power supply 230 V



Valves

Fill valves	52
Flush valves	53
Plastic WC cisterns	54
Fill and flush kits	55
Valves – accessories	57

New side fill valves 2021

We have designed the brand new range of fill valves primarily to be fast, exceptionally resistant to impurities contained in water and to perfectly withstand a wide range of pressures 0.05–1.6 MPa (0.5–16 bar) in various countries around the world.

EASY MAINTENANCE AND FAST SERVICE
Cleaning the filter using **CLICK system** without a need of dismantling the tube

INCREASED DURABILITY AGAINST IMPURITIES
Secured by a **conical shape of the filter**

EXTRA FAST FILLING
Twice as fast filling without the use of a water flow regulator

SILENT FILLING
With a **regulator** of the water flow

MAXIMUM RELIABILITY
The new membrane works even within the water pressure fluctuations of **0.05–1.6 MPa (0.5–16 bar)**

NO RECOIL
Thanks to the smooth closing of the valve

LONGER LIFETIME
The fill valve is made of a material which is **more resistant against limescale**

UNIVERSAL
Designed for plastic and ceramic **WC cisterns and pre-wall installation systems**

ALWAYS THE SAME WATER LEVEL
Regardless of the water pressure in the pipes

OVERVIEW OF SIDE FILL VALVES

Alcaplast is introducing new fill valves which will completely replace older versions.



Old code	New code	Same price	Water connection	Thread material	Application	
A15-1/2"	A150-1/2"	same price	1/2"	plastic	ceramic cisterns	
A15-3/8"	A150-3/8"	same price	3/8"	plastic	ceramic cisterns	
A15P-1/2"	A150P-1/2"	same price	1/2"	plastic		plastic WC cisterns
A15P-3/8"	A150P-3/8"	same price	3/8"	plastic		plastic WC cisterns
A16-1/2"	A160-1/2"	same price	1/2"	metal*	ceramic cisterns	
A16-3/8"	A160-3/8"	same price	3/8"	metal**	ceramic cisterns	
A16P-3/8"	A160P-3/8"	same price	3/8"	metal**		plastic WC cisterns WC systems
N	A150UNI		1/2", 3/8"	plastic	ceramic cisterns	plastic WC cisterns WC systems
N	A160UNI		1/2", 3/8"	metal	ceramic cisterns	plastic WC cisterns WC systems

* increase of the weight of the packing box from 15.8 kg to 17.4 kg
** increase of the weight of the packing box from 14.5 kg to 15 kg

ONE PRODUCT FOR ALL OPTIONS 7 thread variants + 2 universal packages

A150 1/2" **A160 1/2"**

A150 3/8" **A160 3/8"**

A150P 1/2" **A160P 3/8"**

A150P 3/8"

A150UNI **A160UNI**

2 IN 1 **2 IN 1**

INNOVATION

NEW PRODUCTS

A150-1/2"
Side inlet fill valve for ceramic WC cisterns

N FROM II. Q



Quantity (packing)	70 pcs
Quantity (pallet)	1120 pcs
Material	POM

A150-3/8"
Side inlet fill valve for ceramic WC cisterns

N FROM II. Q



Quantity (packing)	70 pcs
Quantity (pallet)	1120 pcs
Material	POM

A150P-1/2"
Side inlet fill valve for plastic WC cisterns

N FROM II. Q



Quantity (packing)	70 pcs
Quantity (pallet)	1120 pcs
Material	POM

A17-1/2"
Bottom inlet fill valve



Quantity (packing)	50 pcs
Quantity (pallet)	800 pcs
Material	ABS

A17-3/8"
Bottom inlet fill valve



Quantity (packing)	50 pcs
Quantity (pallet)	800 pcs
Material	ABS

A18-1/2"
Bottom inlet fill valve metal thread



Quantity (packing)	50 pcs
Quantity (pallet)	800 pcs
Material	ABS

A150P-3/8"
Side inlet fill valve for plastic WC cisterns

N FROM II. Q



Quantity (packing)	70 pcs
Quantity (pallet)	1120 pcs
Material	POM

A160-1/2"
Side inlet fill valve metal thread for ceramic WC cisterns

N FROM II. Q



Quantity (packing)	70 pcs
Quantity (pallet)	1120 pcs
Material	POM

A160-3/8"
Side inlet fill valve metal thread for ceramic WC cisterns

N FROM II. Q



Quantity (packing)	70 pcs
Quantity (pallet)	1120 pcs
Material	POM

A18-3/8"
Bottom inlet fill valve metal thread



Quantity (packing)	50 pcs
Quantity (pallet)	800 pcs
Material	ABS

A2000-CHROM
Flush valve with STOP button



Quantity (packing)	25 pcs
Quantity (pallet)	400 pcs
Material	ABS

A05-CHROM
Flush valve with raised STOP button



Quantity (packing)	25 pcs
Quantity (pallet)	400 pcs
Material	ABS

A160P-3/8"
Side inlet fill valve metal thread for plastic WC cisterns

N FROM II. Q



Quantity (packing)	70 pcs
Quantity (pallet)	1120 pcs
Material	POM

A150UNI
Side inlet fill valve, universal

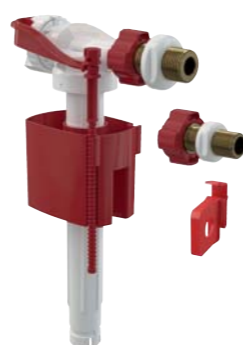
N FROM II. Q



Quantity (packing)	70 pcs
Quantity (pallet)	1120 pcs
Material	POM

A160UNI
Side inlet fill valve metal thread, universal

N FROM II. Q



Quantity (packing)	36 pcs
Quantity (pallet)	576 pcs
Material	POM

A08A
Flush valve with DUAL control button



Quantity (packing)	16 pcs
Quantity (pallet)	256 pcs
Material	ABS

A02
Flush valve for low level cistern



Quantity (packing)	25 pcs
Quantity (pallet)	400 pcs
Material	ABS

A03
Flush valve for high level cistern



Quantity (packing)	25 pcs
Quantity (pallet)	400 pcs
Material	ABS

A03A

Flush valve for high level cistern



Quantity (packing)	35 pcs
Quantity (pallet)	560 pcs
Material	ABS

A06

Flush valve for pre-wall installation systems



Quantity (packing)	25 pcs
Quantity (pallet)	400 pcs
Material	ABS

A06E

Flush valve ECOLOGY for pre-wall installation systems



Quantity (packing)	25 pcs
Quantity (pallet)	400 pcs
Material	ABS

A95

Flush pipe DN32 in two parts + wrapping seal



Quantity (packing)	1 pc
Quantity (pallet)	- pcs

A950

Flush pipe set DN35



Quantity (packing)	1 pc
Quantity (pallet)	- pcs

A06-850

Flush valve for reduced pre-wall installation systems with 850 mm height



Quantity (packing)	25 pcs
Quantity (pallet)	400 pcs
Material	ABS

A07

Flush valve for cistern A93



Quantity (packing)	25 pcs
Quantity (pallet)	400 pcs
Material	ABS

A09A

Flush valve for Slimmodul



Quantity (packing)	20 pcs
Quantity (pallet)	256 pcs
Material	ABS

SA2000 1/2" CHROM

Fill and flush kit with STOP button
Package content: A150-1/2", A2000, blind plug, screws, gaskets



Quantity (packing)	20 pcs
Quantity (pallet)	320 pcs

SA2000 3/8" CHROM

Fill and flush kit with STOP button
Package content: A150-3/8", A2000, blind plug, screws, gaskets



Quantity (packing)	20 pcs
Quantity (pallet)	320 pcs

SA2000K 1/2" CHROM

Fill and flush kit with STOP button
Package content: A160-1/2", A2000, blind plug, screws, gaskets



Quantity (packing)	20 pcs
Quantity (pallet)	320 pcs

A09B

Flush valve for Slimmodul



Quantity (packing)	50 pcs
Quantity (pallet)	800 pcs
Material	ABS

A93-1/2"

Universal WC cistern ALCA UNI DUAL

A93-3/8"

Universal WC cistern ALCA UNI DUAL



Quantity (packing)	1 pc
Quantity (pallet)	58 pcs

A94-1/2"

Universal WC cistern ALCA UNI START/STOP

A94-3/8"

Universal WC cistern ALCA UNI START/STOP



Quantity (packing)	1 pc
Quantity (pallet)	58 pcs

SA2000K 3/8" CHROM

Fill and flush kit with STOP button
Package content: A160-3/8", A2000, blind plug, screws, gaskets



Quantity (packing)	20 pcs
Quantity (pallet)	320 pcs

SA2000S 1/2" CHROM

Fill and flush kit with STOP button
Package content: A17-1/2", A2000, screws, gaskets



Quantity (packing)	20 pcs
Quantity (pallet)	320 pcs

SA2000S 3/8" CHROM

Fill and flush kit with STOP button
Package content: A17-3/8", A2000, screws, gaskets



Quantity (packing)	20 pcs
Quantity (pallet)	320 pcs

SA2000SK 1/2" CHROM

Fill and flush kit with STOP button
Package content: A18-1/2", A2000, screws, gaskets



Quantity (packing) 20 pcs
Quantity (pallet) 320 pcs

SA2000SK 3/8" CHROM

Fill and flush kit with STOP button
Package content: A18-3/8", A2000, screws, gaskets



Quantity (packing) 20 pcs
Quantity (pallet) 320 pcs

SA08A 1/2" CHROM

Fill and flush kit with DUAL control button
Package content: A150-1/2", A08A, blind plug, screws, gaskets



Quantity (packing) 16 pcs
Quantity (pallet) 256 pcs

SA08ASK 3/8" CHROM

Fill and flush kit with DUAL control button
Package content: A18-3/8", A08A, screws, gaskets



Quantity (packing) 16 pcs
Quantity (pallet) 256 pcs

V0018-ND

Button cover (A2000)



Quantity (packing) 1 pcs
Quantity (pallet) – pcs

P0014-ND

Button complete set chrome (A05)



Quantity (packing) 1 pcs
Quantity (pallet) – pcs

SA08A 3/8" CHROM

Fill and flush kit with DUAL control button
Package content: A150-3/8", A08A, blind plug, screws, gaskets



Quantity (packing) 16 pcs
Quantity (pallet) 256 pcs

SA08AK 1/2" CHROM

Fill and flush kit with DUAL control button
Package content: A160-1/2", A08A, blind plug, screws, gaskets



Quantity (packing) 16 pcs
Quantity (pallet) 256 pcs

SA08AK 3/8" CHROM

Fill and flush kit with DUAL control button
Package content: A160-3/8", A08A, blind plug, screws, gaskets



Quantity (packing) 16 pcs
Quantity (pallet) 256 pcs

V0011-ND

Button complete set chrome (A2000)



Quantity (packing) 1 pcs
Quantity (pallet) – pcs

V0296-ND

Button complete set chrome (A08A)



Quantity (packing) 1 pcs
Quantity (pallet) – pcs

V0015-ND

Seal 64x30x2



Quantity (packing) 1 pcs
Quantity (pallet) – pcs

SA08AS 1/2" CHROM

Fill and flush kit with DUAL control button
Package content: A17-1/2", A08A, screws, gaskets



Quantity (packing) 16 pcs
Quantity (pallet) 256 pcs

SA08AS 3/8" CHROM

Fill and flush kit with DUAL control button
Package content: A17-3/8", A08A, screws, gaskets



Quantity (packing) 16 pcs
Quantity (pallet) 256 pcs

SA08ASK 1/2" CHROM

Fill and flush kit with DUAL control button
Package content: A18-1/2", A08A, screws, gaskets



Quantity (packing) 16 pcs
Quantity (pallet) 256 pcs

N0020-ND

End cap chrome



Quantity (packing) 1 pcs
Quantity (pallet) – pcs

WC seats

WC seats Antibacterial	66
WC seats Basic Antibacterial	66
WC seats Duroplast	67
WC seats SOFTCLOSE	68
WC seats SLIM	69
WC seats – hinges	70



WC seats



SOFTCLOSE system – Slow closing WC seat cover

The SOFTCLOSE system is characterised by its slow seat closing action. The mechanism within the hinges of the WC seat ensure a smooth and quiet closure onto the ceramics. A big advantage of this system is to protect the WC pan from damage caused by accidental dropping of the seat. It also ensures greater safety and comfort for the user when handling the seat. It is particularly suitable for public areas and for families with children.



Antibacterial

The majority of ALCA toilet seats have antibacterial properties. The Antibacterial properties are achieved by the Silver compounds within the material. Testing has proven that the bacterial density on the WC seat surface is reduced.

Duroplast

Toilet seats made of high-quality Duroplast material will satisfy even the most demanding Customers. Duroplast material greatly reduces discomfort of sitting on a cold surface of a WC seat.



CLICK system for easy cleaning

CLICK system on WC seat hinges allows for easier and faster cleaning of the WC pan and seat itself. The seat is released from the pan by pressing the two buttons on the inner side of the seat hinges, allowing it to be lifted clear for cleaning. The seat is easily and quickly returned to its original position by pressing it back onto the hinges.



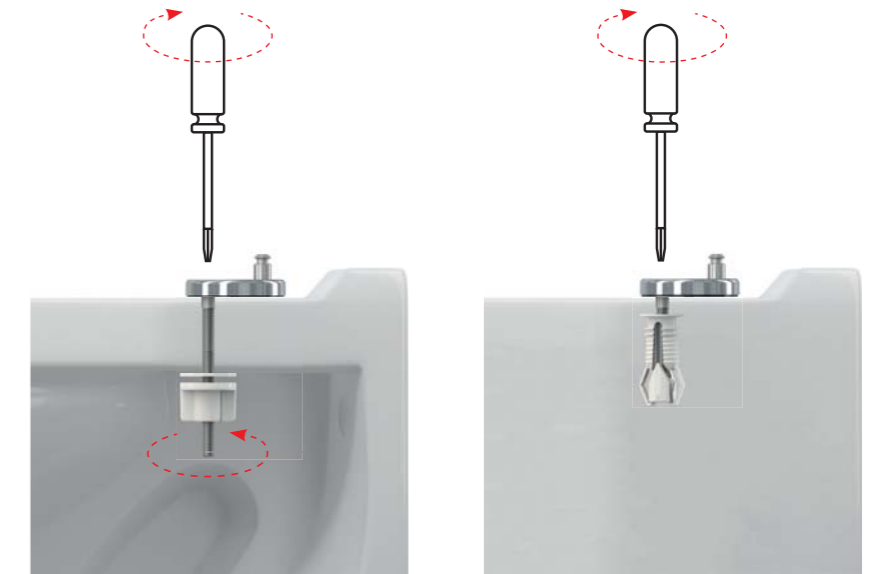
Setting of hinges for perfect compatibility

Easy mounting of ALCA seats onto the WC pan is guaranteed thanks to the large range of possible adjustment of the seat hinges. This together with the shape of the WC seats enable them to be fitted to many types of ceramics. The hinges are made of stainless steel and are white powder paint coated to blend them into the ceramic surface, this also ensures long life and durability.



Comfortable top mounting

For Duroplast seats with CLICK system we offer an alternative to the classic bottom mounting hinges. Designed for toilet bowls with limited access the hinge system can be mounted and tightened from the top surface only, eliminating the need to gain access from below.



The integrated seat insert with magnetic holder

Duroplast seats A603 and A606 are equipped with a fully integrated infant potty seat insert. It is attached to the hinge pins and can be easily removed. The insert is made of lightweight polypropylene material so that a child can safely and simply manipulate the seat. When not use the potty seat insert is retained magnetically by the seat cover allowing normal adult use.



Coloured seats and seats with printing

Duroplast seats A601 and A604 come as standard in four colours – white, bahama, pergamon and pistachio. We also offer WC seats with colour printing in three themes – flower, shell and zen.



A60 – COMPATIBILITY CHART

Manufacturer	Type	Type
ALCAPLAST	Alca, Rimflow, Grand (C)	
CERSANIT	President (C), Terra	Solari (C)
IDEAL STANDARD	Eurovit (Ecco) (C), Eurovit (Ecco), Simplicity, Simplicity (C), Vidima SevaMix (C), Ulysse 2 (C)	
JIKA	Mio, Lyra (C), Lyra Plus (C), Dino, Easy / Olymp, Olymp (C), Zeta (C), Zeta Plus (C), Roman (C), Lukas, Norma (C), Euroline (C), Deep New Handicap	
KOLO	Style, Nova top, Napoli (C), Rekord (C), Rekord	Primo, Piano (C)
SANITEC / KERAMAG		Renova Nr. 1
VITRA	Concept 100 (Ptáček), SeaBay (C), Pera	
VILLEROY & BOCH	Omnia, Omnia Pro, Omnia Compact	

A3553 – COMPATIBILITY CHART

Manufacturer	Type	Type
ALCAPLAST		Alca
CERSANIT	Kompakt 393, Kompakt Kaskada	Delfi
IDEAL STANDARD	Vidima SevaMix (C), Ulysse 2 (C)	Simplicity, Simplicity (C), Eurovit (C), Eurovit
JIKA	Dino Rimless	Lyra Plus, Tigo, Tigo (C), Zeta
KOLO		Piano (C), Piano
PTÁČEK		Easy, Concept
RICHTER + FRENZEL	Optiline Europa	
WINKIEL		Lecico (C)

A6550 – COMPATIBILITY CHART

Manufacturer	Type	Type
ALCAPLAST		Alca, Grand (C)
CERSANIT	Kompakt 393, Kompakt Kaskada	Delfi, Iryda (C), Koral (C), WC Kompakt President (C)
GUSTAVSBERG		Saval
IDEAL STANDARD	Vidima SevaMix (C), Ulysse 2 (C)	Simplicity, Simplicity (C), Eurovit (C), Eurovit
JIKA	Dino Rimless	Lyra Plus, Tigo, Tigo (C), Zeta, Dino, Mio, Lukas, Rigo, Norma, Pluto, Neo (C), Roman
KOLO		Piano (C), Piano, Primo, Idol Simple, Nova Rimfree
LECICO		Lecico (C)
PTÁČEK		Easy, Concept
RICHTER + FRENZEL	Optiline Europa	
TRIKER		EP 63 (C)

A6551 – COMPATIBILITY CHART

Manufacturer	Type	Type
ALCAPLAST	Grand (C)	
JIKA	Lyra Plus (C), Lyra (C)	
MITO	Kompakt 373	
PTÁČEK	Easy (C), Concept (C)	

A601 – COMPATIBILITY CHART

Manufacturer	Type	Type
ALCAPLAST	Alca, Rimflow	
CERSANIT	Terra, President (C)	Delfi
FAYANS	Neo	
GUSTAVSBERG	Saval	Nautic
IDEAL STANDARD	Eurovit, Simplicity (C), Simplicity	Eurovit (C), Ulysse 2 (C), Vidima SevaMix
JIKA	Easy / Olymp, Zeta Plus (C), Roman (C)	Tigo, Olymp, Deep New Handicap
KERAMAG		Renova
KERAMIN	Omega (C)	
KOLO	Rekord (C)	Primo, Rekord / Krainer
SANINDUSA	Cetus	

✓✓ = WC seat fully compatible with toilet bowl

✓ = WC seat compatible with toilet bowl but not perfect fit

(C) = combi WC

A602, A603 – COMPATIBILITY CHART

Manufacturer	Type	Type
ALCAPLAST	Alca, Rimflow	
ALFÖLDI	Saval, Bázis, Solinár	
CERSANIT	Terra, Lotos, Classic, Ellada, Eko-2000, Koral, Atlantic, Solari, Family, Meteor, Trento, Relax	Iryda, Olimpia, Prezident, Roma, Merida, Delfi
DOLOMITE	Garda	
FAYANS	Neo	
GUSTAVSBERG	Saval, Nautic	
IDEAL STANDARD	Eurovit, Simplicity (C), Simplicity, Storm, Seva M, Seva Mega	Eurovit (C), SevaMix
JIKA	Easy / Olymp, Dino, Roma, Lyra, Norma	Easy / Zeta (C), Tigo, Deep New Handicap
KERAMAG		Renova Nr.1
KERAMIN	Omega (C)	
KERASAN	Godia	
KOLO	Rekord, Idol, Impuls, Primo	Nova Top, Rekord / Krainer
MONDIAL	4031	
MULTI	Eur	
ROCA	Zoom	
ROSA	Elegans, Komfort, Evro, Premier, Ressa	
SAMARSKJI STROJFARFOR	Sanata	
SANINDUSA	Cetus	
SANTEK	Boreal, Briz	
SANTERI		Vita, Sonata
VILLEROY BOCH		O.novo
VITRA	Saval	

A604, A606 – COMPATIBILITY CHART

Manufacturer	Type	Type
ALCAPLAST	Alca, Rimflow	
ALFÖLDI	Saval, Bázis, Solinár	
CERSANIT	Terra, Lotos, Classic, Ellada, Eko-2000, Koral, Atlantic, Solari, Family, Meteor, Trento, Relax	Iryda, Olimpia, Prezident, Roma, Merida, Delfi
DOLOMITE	Garda	
FAYANS	Neo	
GUSTAVSBERG	Saval, Nautic	
IDEAL STANDARD	Eurovit, Simplicity (C), Simplicity, Storm, Seva M, Seva Mega	Eurovit (C), SevaMix
JIKA	Easy / Olymp, Dino, Roma, Lyra, Norma	Easy / Zeta (C), Tigo, Deep New Handicap
KERAMAG		Renova Nr.1
KERAMIN	Omega (C)	
KERASAN	Godia	
KOLO	Rekord, Idol, Impuls, Primo	Nova Top, Rekord / Krainer
MONDIAL	4031	
MULTI	Eur	
ROCA	Zoom	
ROSA	Elegans, Komfort, Evro, Premier, Ressa	
SAMARSKJI STROJFARFOR	Sanata	
SANINDUSA	Cetus	
SANTEK	Boreal, Briz	
SANTERI		Vita, Sonata
VILLEROY BOCH		O.novo
VITRA	Saval	

✓✓ = WC seat fully compatible with toilet bowl

✓ = WC seat compatible with toilet bowl but not perfect fit

(C) = combi WC

A66 – COMPATIBILITY CHART

Manufacturer	Type	Type
ALCAPLAST	Rimflow	
CERSANIT	President, Merida, Terra	
DOLOMITE	Clodia	
GLACERA	Montanaro, Base	
HORNBACK		Dalea, Luna
IDEAL STANDARD	Eurovit (Ecco)	Vidima SevaMix (C)
JIKA	Mio, Dino, Easy / Olymp, Cubito, Zeta, Tigo	Zeta Plus (C), Dino Rimless
KERAMAG		Renova
KERASAN	Flo	
LAUFEN	Pro, Form	
RICHTER + FRENZEL	Optiset Optiline	
VILLEROY & BOCH	Omnia, Omnia Architectura	
VITRA	S50-52 cm	

A67 – COMPATIBILITY CHART

Manufacturer	Type	Type
ALCAPLAST		Rimflow
CERSANIT	President, Merida, Terra	
DOLOMITE	Clodia	
GLACERA	Montanaro, Base	
HORNBACK		Dalea, Luna
IDEAL STANDARD	Eurovit (Ecco)	Vidima SevaMix (C)
JIKA	Mio, Dino, Easy / Olymp, Cubito, Zeta, Lyra Plus, Tigo	Zeta Plus (C), Dino Rimless
KERAMAG		Renova
KERASAN	Flo	
LAUFEN	Pro, Form	
RAVAK	Chrome RimOff	
RICHTER + FRENZEL	Optiset Optiline	
VILLEROY & BOCH	Omnia, Omnia Architectura	
VITRA	S50-52 cm	

A67SLIM – COMPATIBILITY CHART

Manufacturer	Type	Type
ALCAPLAST	Rimflow	
CERSANIT	President, Merida, Terra, Iryda (C)	Olimpia, Olimpia (C), Iryda
DOLOMITE	Clodia	
GLACERA	Montanaro, Base	
HORNBACK		Dalea, Luna
IDEAL STANDARD		Vidima SevaMix (C)
JIKA	Mio, Dino, Easy / Olymp, Cubito, Zeta, Dino Rimless, Lyra Plus, Tigo, Deep New Handicap	
JUNGBORN	Elena (C), Dalea, Melissa	
KERAMAG	Renova Nr. 1, Renova	
KERASAN	Flo	
KOLO	Style, Impuls	Quatro
RAVAK	Uni Chrome RimOff, Uni Chrome Rim	
VILLEROY & BOCH	Subway, Omnia Architectura	
VITRA	S50-52 cm	

✓✓ = WC seat fully compatible with toilet bowl
 ✓ = WC seat compatible with toilet bowl but not perfect fit
 (C) = combi WC

A64SLIM – COMPATIBILITY CHART

Manufacturer	Type	Type
ALCAPLAST	Alca	Rimflow
ALFÖLDI	Saval	Bázis
CERSANIT	President (C), Terra, Family, Solari, Classic, Iryda (C)	Olimpia, Olimpia (C), Iryda
DOLOMITE	Garda	
FAYANS	Neo	
GUSTAVSBERG	Saval, Nautic	
IDEAL STANDARD	Eurovit (Ecco)(C), Simplicity (C), Vidima Storm	Vidima SevaMix (C), Ulysse 2 (C), Vidima SevaM (C), Simplicity
JIKA	Lyra, Dino, Easy / Olymp, Zeta, Roman	Norma
KERAMAG		Renova Nr. 1
KERASAN	Godia	
KOLO	Nova Top, Delta, Impuls, Rekord, Idol (C)	Rekord (C), Piano (C), Primo
SANINDUSA	Cetus	
SANTEK	Boreal, Briz	
SANTERI		Vita, Sonata
VILLEROY & BOCH	Omnia, Omnia Pro, Omnia Compact	
VITRA	Pera, SeaBay (C)	

A674S – COMPATIBILITY CHART

Manufacturer	Type	Type
ALCAPLAST		Rimflow
CERSANIT	Iryda, Iryda (C)	Delf, Olimpia, Olimpia (C), Parva, Parva (C)
FORM	Novalis	Corto
GUSTAVSBERG		Nautic
HORNBACK		Melissa, Luna
IDEAL STANDARD		Simplicity
JIKA	Dino Rimless, Easy, Lyra Plus, Mio, Mio (C), Tigo, Tigo (C)	
LAUFEN	Laufen Pro	
PTÁČEK		Concept 100
RAVAK	Uni Chrome RimOff, Uni Chrome Rim	
RICHTER + FRENZEL		Optiline Europa
SANITEC - KERAMAG - KOLO	Icon, Primo	Renova Nr. 1
VILLEROY & BOCH	Verity, Subway 2.0 (compact), O.novo	
VITRA	Concept 500	

A678S – COMPATIBILITY CHART

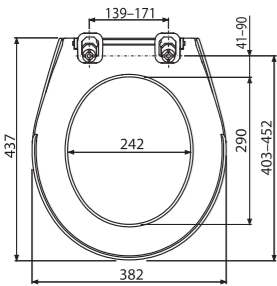
Manufacturer	Type	Type
ALCAPLAST	WC Alca MEDIC	

✓✓ = WC seat fully compatible with toilet bowl
 ✓ = WC seat compatible with toilet bowl but not perfect fit
 (C) = combi WC

HINGES – COMPATIBILITY CHART

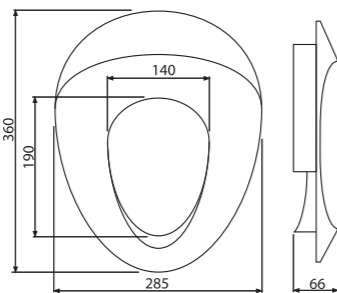
Hinges	Type
P0009B-ND	A60
P096	A601, A601 BAHAMA, A601 PERGAMON, A601 PISTACHIO
P105	A602, A603, A604, A604 FLOWER, A604 SHELL, A604 ZEN, A604 BAHAMA, A604 PERGAMON, A604 PISTACHIO, A606, A674S
P105B	A602, A603, A604, A604 FLOWER, A604 SHELL, A604 ZEN, A604 BAHAMA, A604 PERGAMON, A604 PISTACHIO, A606, A674S
P106	A602, A603, A604, A604 FLOWER, A604 SHELL, A604 ZEN, A604 BAHAMA, A604 PERGAMON, A604 PISTACHIO, A606, A674S
P106B	A602, A603, A604, A604 FLOWER, A604 SHELL, A604 ZEN, A604 BAHAMA, A604 PERGAMON, A604 PISTACHIO, A606, A674S
P113	A602, A603, A604, A604 FLOWER, A604 SHELL, A604 ZEN, A604 BAHAMA, A604 PERGAMON, A604 PISTACHIO, A606, A674S, A67SLIM
Z0137B-ND	A64, A65, A66, A67
Z0952-ND	A64SLIM, A67SLIM
P157	A678S
P170	A6550, A6551
P179	A64, A66, A67

A60 Antibacterial
WC seat Antibacterial



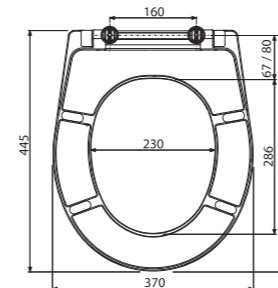
Quantity (packing)	13 pcs
Quantity (pallet)	208 pcs
Hinges	P0009-ND
Material	polypropylene with antibacterial properties

A68
Potty training WC seat



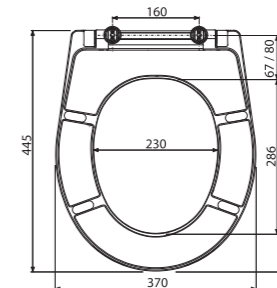
Quantity (packing)	7 pcs
Quantity (pallet)	252 pcs
Hinges	-
Material	polypropylene

A601
WC seat Duroplast



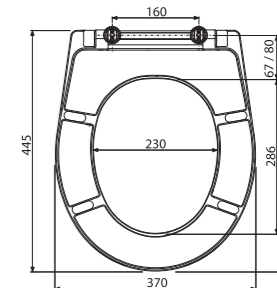
Quantity (packing)	5 pcs
Quantity (pallet)	120 pcs
Hinges	P096
Material	Duroplast with antibacterial properties

A601 BAHAMA
WC seat Duroplast



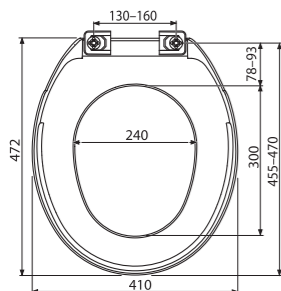
Quantity (packing)	5 pcs
Quantity (pallet)	120 pcs
Hinges	P096
Material	Duroplast with antibacterial properties

A601 PERGAMON
WC seat Duroplast



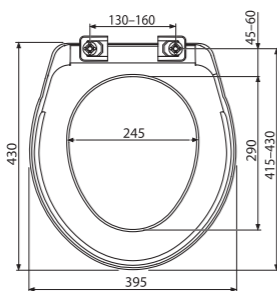
Quantity (packing)	5 pcs
Quantity (pallet)	120 pcs
Hinges	P096
Material	Duroplast with antibacterial properties

A6550
WC seat Basic Antibacterial



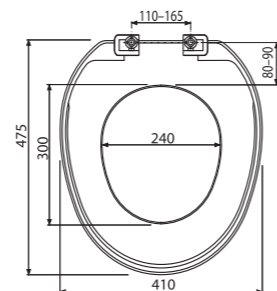
Quantity (packing)	15 pcs
Quantity (pallet)	270 pcs
Hinges	-
Material	polypropylene

A6551
WC seat Basic Antibacterial



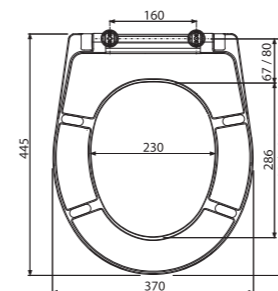
Quantity (packing)	15 pcs
Quantity (pallet)	270 pcs
Hinges	-
Material	polypropylene

A3553
WC seat



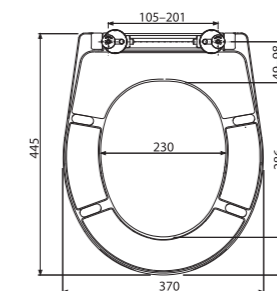
Quantity (packing)	21 pcs
Quantity (pallet)	336 pcs
Hinges	-
Material	polypropylene

A601 PISTACHIO
WC seat Duroplast



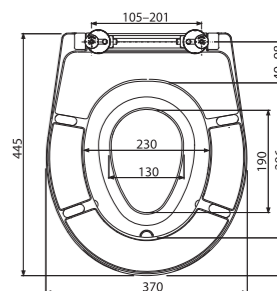
Quantity (packing)	5 pcs
Quantity (pallet)	120 pcs
Hinges	P096
Material	Duroplast with antibacterial properties

A602
WC seat universal, Duroplast



Quantity (packing)	5 pcs
Quantity (pallet)	120 pcs
Hinges	P106B
Material	Duroplast with antibacterial properties

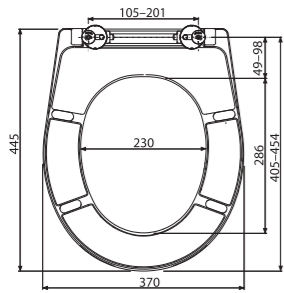
A603
WC seat universal with integrated insert, Duroplast



Quantity (packing)	5 pcs
Quantity (pallet)	120 pcs
Hinges	P106B
Material	Duroplast with antibacterial properties
WC seat insert material	polypropylene with antibacterial properties

A604

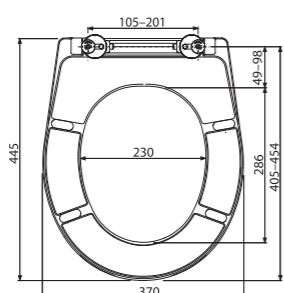
WC seat universal SOFTCLOSE, Duroplast



Quantity (packing)	5 pcs
Quantity (pallet)	120 pcs
Hinges	P106B
Material	Duroplast with antibacterial properties

A604 BAHAMA

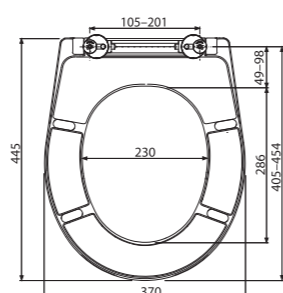
WC seat universal SOFTCLOSE, Duroplast



Quantity (packing)	5 pcs
Quantity (pallet)	120 pcs
Hinges	P106B
Material	Duroplast with antibacterial properties

A604 PERGAMON

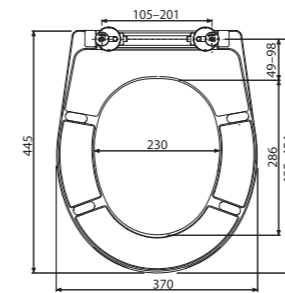
WC seat universal SOFTCLOSE, Duroplast



Quantity (packing)	5 pcs
Quantity (pallet)	120 pcs
Hinges	P106B
Material	Duroplast with antibacterial properties

A604 ZEN

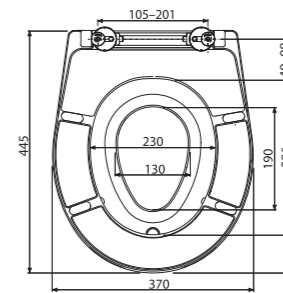
WC seat universal SOFTCLOSE, Duroplast



Quantity (packing)	5 pcs
Quantity (pallet)	120 pcs
Hinges	P106B
Material	Duroplast with antibacterial properties

A606

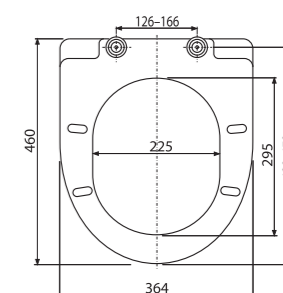
WC seat universal SOFTCLOSE with integrated insert, Duroplast



Quantity (packing)	5 pcs
Quantity (pallet)	120 pcs
Hinges	P106B
Material	Duroplast with antibacterial properties

A66

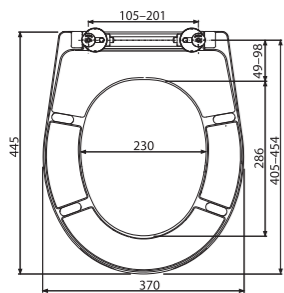
WC seat SOFTCLOSE, Duroplast



Quantity (packing)	5 pcs
Quantity (pallet)	80 pcs
Hinges	Z0137B-ND
Material	Duroplast

A604 PISTACHIO

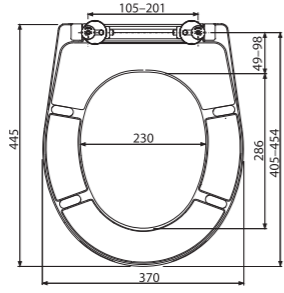
WC seat universal SOFTCLOSE, Duroplast



Quantity (packing)	5 pcs
Quantity (pallet)	120 pcs
Hinges	P106B
Material	Duroplast with antibacterial properties

A604 FLOWER

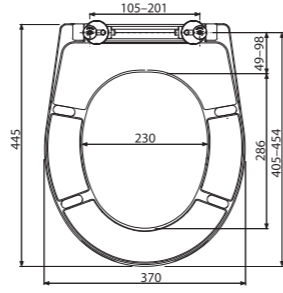
WC seat universal SOFTCLOSE, Duroplast



Quantity (packing)	5 pcs
Quantity (pallet)	120 pcs
Hinges	P106B
Material	Duroplast with antibacterial properties

A604 SHELL

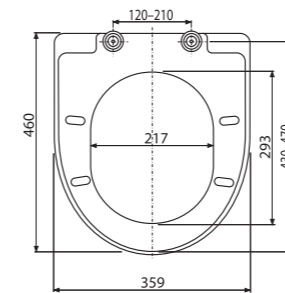
WC seat universal SOFTCLOSE, Duroplast



Quantity (packing)	5 pcs
Quantity (pallet)	120 pcs
Hinges	P106B
Material	Duroplast with antibacterial properties

A67

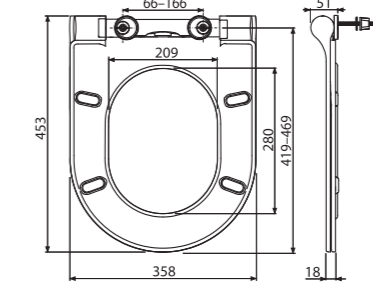
WC seat SOFTCLOSE, Duroplast



Quantity (packing)	5 pcs
Quantity (pallet)	80 pcs
Hinges	Z0137B-ND
Material	Duroplast

A67SLIM

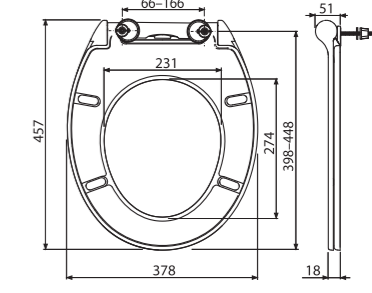
WC seat SLIM SOFTCLOSE, Duroplast



Quantity (packing)	5 pcs
Quantity (pallet)	80 pcs
Hinges	Z0952-ND
Material	Duroplast

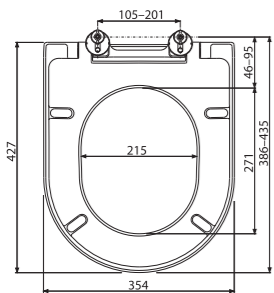
A64SLIM

WC seat SLIM SOFTCLOSE, Duroplast



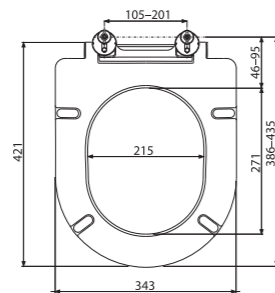
Quantity (packing)	5 pcs
Quantity (pallet)	80 pcs
Hinges	Z0952-ND
Material	Duroplast

A674S
WC seat SOFTCLOSE, Duroplast



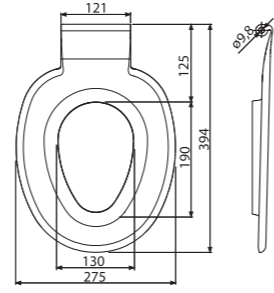
Quantity (packing)	5 pcs
Quantity (pallet)	120 pcs
Hinges	P106B
Material	Duroplast

A678S
WC seat Duroplast



Quantity (packing)	5 pcs
Quantity (pallet)	120 pcs
Hinges	P157
Material	Duroplast

P102
WC seat – integrated insert



Quantity (packing)	20 pcs
Quantity (pallet)	320 pcs
Hinges	-
Material	polypropylene with antibacterial properties

P0009-ND
Hinges for A60



Quantity (packing)	-
Quantity (pallet)	-

P096
Hinges for A601



Quantity (packing)	-
Quantity (pallet)	-

P106
Hinges for bottom installation, stainless steel cover



Quantity (packing)	-
Quantity (pallet)	-

P106B
Hinges for bottom installation, white cover



Quantity (packing)	-
Quantity (pallet)	-

P105
Hinges with top installation, stainless steel cover



Quantity (packing)	-
Quantity (pallet)	-

P105B
Hinges for top installation, white cover



Quantity (packing)	-
Quantity (pallet)	-

Z0137B-ND
Hinges for A66, A67 (until 2014)



Quantity (packing)	-
Quantity (pallet)	-

P179
Hinges for A64, A66, A67, pin 6 mm (since 2015)



Quantity (packing)	-
Quantity (pallet)	-

Z0952-ND
Hinges for A64SLIM, A67SLIM



Quantity (packing)	-
Quantity (pallet)	-

P0009-ND
Hinges for A60



Quantity (packing)	-
Quantity (pallet)	-

P096
Hinges for A601



Quantity (packing)	-
Quantity (pallet)	-

P106
Hinges for bottom installation, stainless steel cover



Quantity (packing)	-
Quantity (pallet)	-

P113
Dowel for top installation of WC seats



Quantity (packing)	-
Quantity (pallet)	-

P157
Hinges for A678S



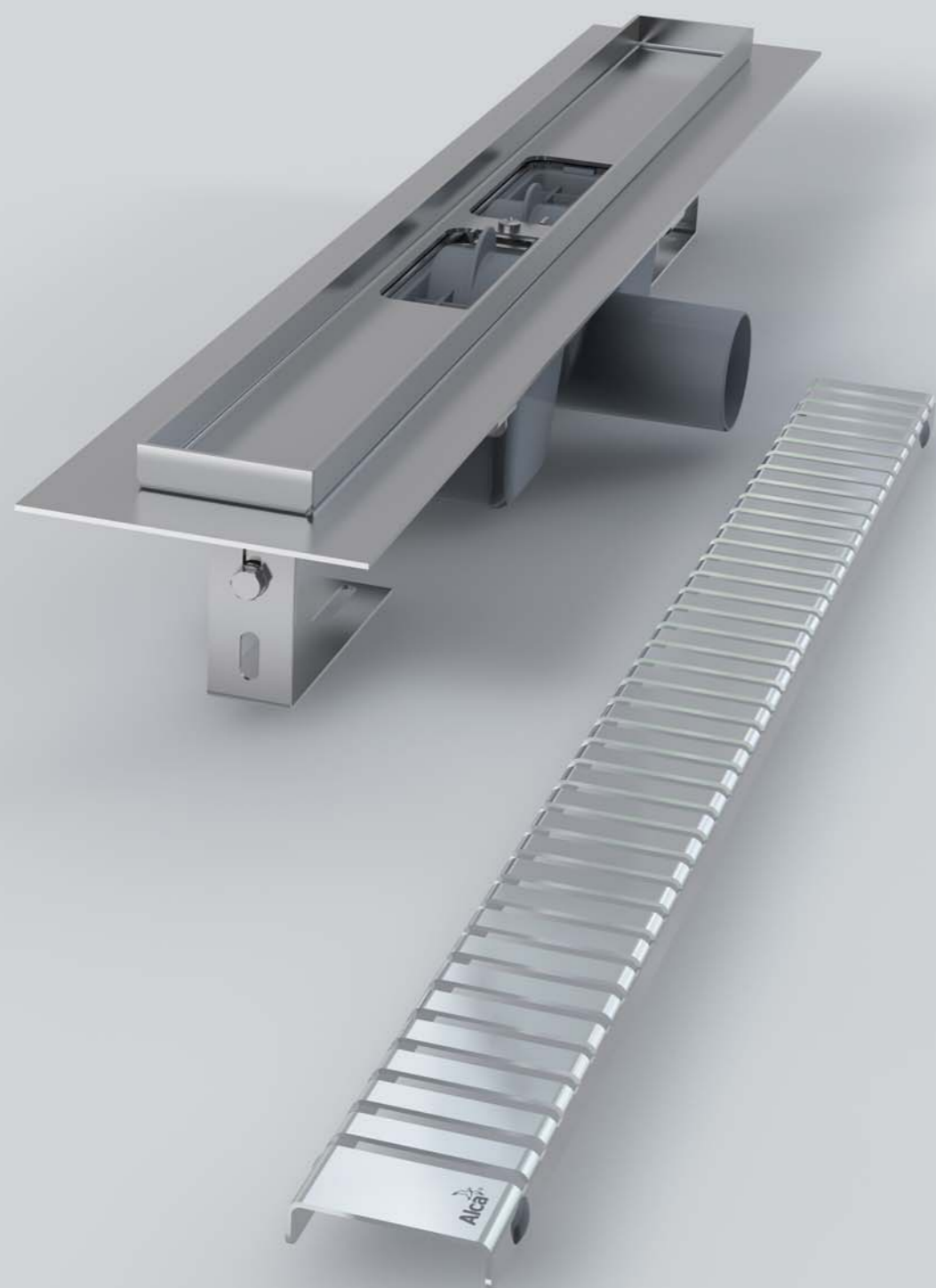
Quantity (packing)	-
Quantity (pallet)	-

P170
Hinges for A6550, A6551



Quantity (packing)	-
Quantity (pallet)	-

Linear drains



Linear shower drains	74
Waste systems	86
Corner shower drain	87
Linear shower drains Antivandal	88
Linear shower drains – accessories	89
Plastic linear shower drains	90
Stainless steel strips for sloped floor	94

APZ1, APZ101 Low

Shower drain with an edge for perforated grids (300, 550, 650, 750, 850, 950, 1050, 1150, 1450 mm)



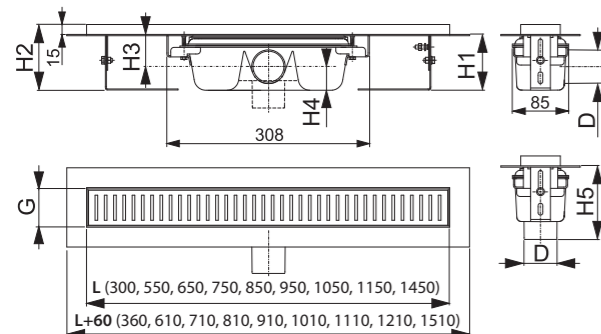
25
YEAR GUARANTEE

APZ1001, APZ1101 Low

Shower drain with an edge for perforated grids, straight outlet (300, 550, 650, 750, 850, 950, 1050, 1150, 1450 mm)



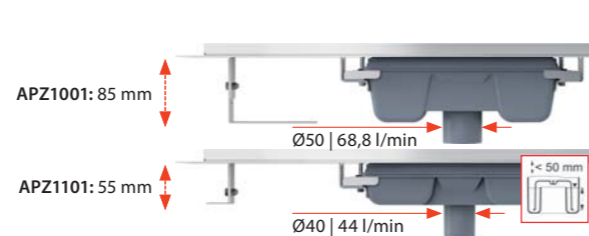
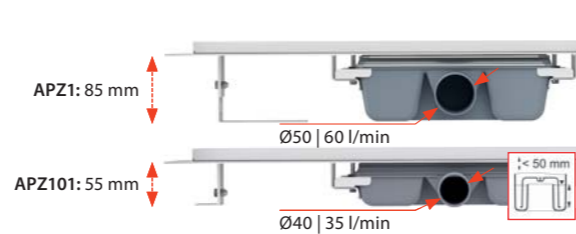
25
YEAR GUARANTEE



	APZ1/1001 APZ1BLACK	APZ101/1101 APZ101BLACK
Minimum floor thickness (H1)	85 mm	55 mm
Total installation height (H2)	100-158 mm	70-96 mm
Height from the axis of the waste to the collar (H3)	48/- mm	33,5/- mm
Height from the axis of the waste to the bottom of the trap (H4)	36/- mm	21,5/- mm
Building height to the waste (H5)	-/111 mm	-/100 mm
Drain channel width (G)	60 mm	60 mm
Flow rate (EN 1253-1)	60/68,8 l/min	35/44 l/min
Outlet pipe diameter (D)	Ø50	Ø40
Load class (EN 1253-1)	K3 = max. 300 kg	
Material – drain body	stainless steel DIN 1.4301	
Material – odour trap	polypropylene	
Drain channel length (L)	300, 550, 650, 750, 850, 950, 1050, 1150, 1450 mm	

Quantity (packing) APZ1-850	12 pcs
Dimensions (piece) APZ1-850	920x135x170 mm
Weight (piece) APZ1-850	3,3674 kg

Table of size variants for linear shower drains and grids – page 207



LINE

Stainless steel-polished / Stainless steel-matt



PURE

Stainless steel-polished / Stainless steel-matt



CUBE

Stainless steel-polished / Stainless steel-matt



HOPE

Stainless steel-polished / Stainless steel-matt



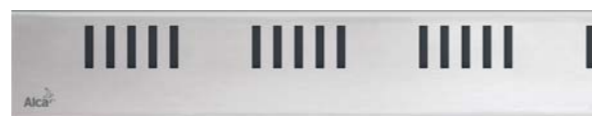
BUBLE

Stainless steel-polished / Stainless steel-matt



DREAM

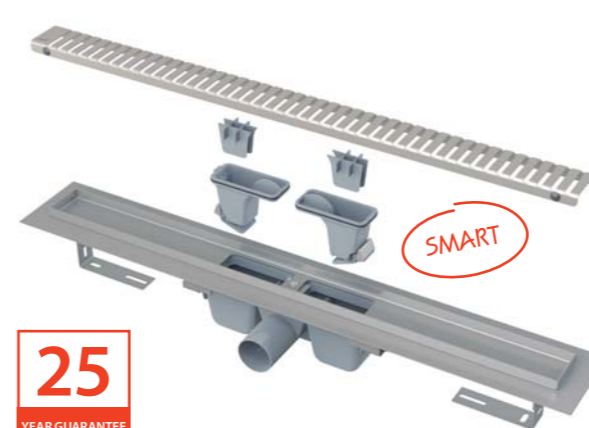
Stainless steel-polished / Stainless steel-matt



Quantity (packing) LINE-850	1 pc
Dimensions (piece) LINE-850	890x20x55 mm
Weight (piece) LINE-850	0,6485 kg

APZ1SMART-LINE

Shower drain with an edge for perforated grids (550, 650, 750 mm)



25
YEAR GUARANTEE

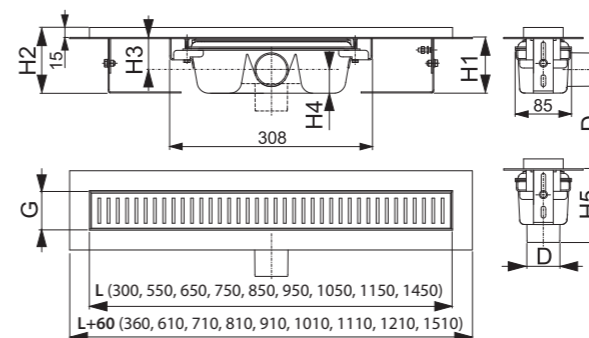
Quantity (packing) APZ1SMART-LINE-750	16 pcs
Dimensions (piece) APZ1SMART-LINE-750	820x100x160 mm
Weight (piece) APZ1SMART-LINE-750	3,7242 kg

APZ1BLACK, APZ101BLACK Low

Shower drain with an edge for perforated grids, black-matt (300, 550, 650, 750, 850, 950, 1050, 1150, 1450 mm)

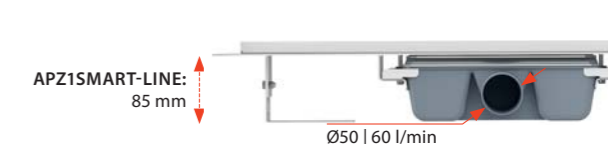


25
YEAR GUARANTEE



Quantity (packing) APZ1BLACK-850	12 pcs
Dimensions (piece) APZ1BLACK-850	920x135x170 mm
Weight (piece) APZ1BLACK-850	3,3674 kg

Table of size variants for linear shower drains and grids – page 207



All in package

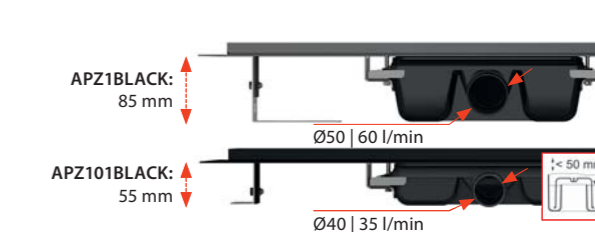


Package content

- Shower drain assembled with the odour trap
- Grid LINE
- Waterproof tape at the length of the linear drain
- Combined odour trap SMART
- Anchoring kit (screws, dowels)
- Installation legs
- Dismantling hook

LINE

Stainless steel-matt
The grid is included



PURE BLACK

Black-matt



Quantity (packing) PURE-850 BLACK	1 pc
Dimensions (piece) PURE-850 BLACK	890x20x55 mm
Weight (piece) PURE-850 BLACK	0,7522 kg

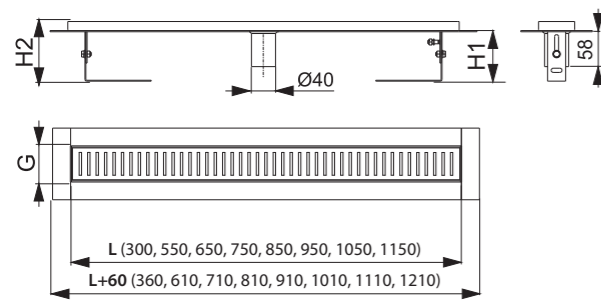
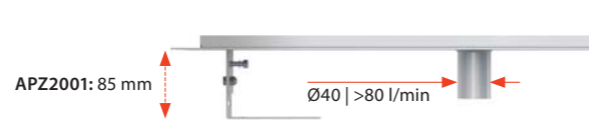
The grid is not included

APZ2001

Shower drain with an edge for perforated grids, without odour trap (300, 550, 650, 750, 850, 950, 1050, 1150 mm)



25
YEAR GUARANTEE



APZ2001	
Minimum floor thickness (H1)	85 mm
Total installation height (H2)	100–158 mm
Drain channel width (G)	60 mm
Flow rate (EN 1253-1)	>80 l/min
Outlet pipe diameter	Ø40
Load class (EN 1253-1)	K3 = max. 300 kg
Material – drain body	stainless steel DIN 1.4301
Drain channel length (L)	300, 550, 650, 750, 850, 950, 1050, 1150 mm

Quantity (packing) APZ2001-850	12 pcs
Dimensions (piece) APZ2001-850	920x135x170 mm
Weight (piece) APZ2001-850	3,2992 kg

LINE

Stainless steel-polished / Stainless steel-matt



PURE

Stainless steel-polished / Stainless steel-matt



CUBE

Stainless steel-polished / Stainless steel-matt



HOPE

Stainless steel-polished / Stainless steel-matt



BUBLE

Stainless steel-polished / Stainless steel-matt



DREAM

Stainless steel-polished / Stainless steel-matt



Quantity (packing) LINE-850	1 pc
Dimensions (piece) LINE-850	890x20x55 mm
Weight (piece) LINE-850	0,6485 kg

APZ4 Flexible, APZ104 Flexible Low

Shower drain with an edge for perforated grids and adjustable vertical flange to the wall (550, 650, 750, 850, 950, 1050, 1150 mm)



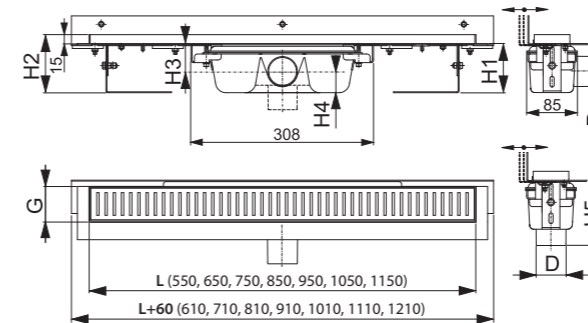
25
YEAR GUARANTEE

APZ1004 Flexible, APZ1104 Flexible Low

Shower drain with an edge for perforated grids and adjustable vertical flange to the wall, straight outlet (550, 650, 750, 850, 950, 1050, 1150 mm)

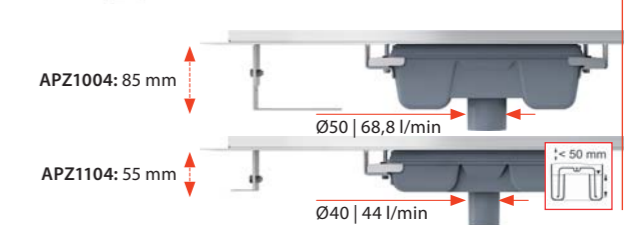
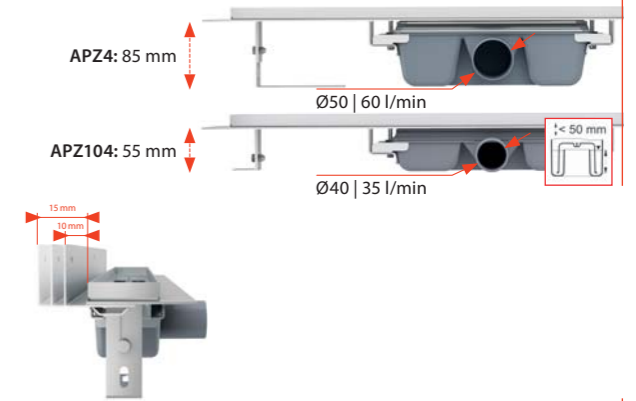


25
YEAR GUARANTEE



	APZ4/1004	APZ104/1104
Minimum floor thickness (H1)	85 mm	55 mm
Total installation height (H2)	100–158 mm	70–96 mm
Height from the axis of the waste to the collar (H3)	48/- mm	33,5/- mm
Height from the axis of the waste to the bottom of the trap (H4)	36/- mm	21,5/- mm
Building height to the waste (H5)	–/111 mm	–/100 mm
Drain channel width (G)	60 mm	60 mm
Flow rate (EN 1253-1)	60/68,8 l/min	35/44 l/min
Outlet pipe diameter (D)	Ø50	Ø40
Load class (EN 1253-1)		K3 = max. 300 kg
Movable flange range	10–15 mm	10–15 mm
Material – drain body	stainless steel DIN 1.4301	
Material – odour trap	polypropylene	
Drain channel length (L)	550, 650, 750, 850, 950, 1050, 1150 mm	

Quantity (packing) APZ4-850	8 pcs
Dimensions (piece) APZ4-850	920x160x205 mm
Weight (piece) APZ4-850	4,4789 kg



LINE

Stainless steel-polished / Stainless steel-matt



PURE

Stainless steel-polished / Stainless steel-matt



CUBE

Stainless steel-polished / Stainless steel-matt



HOPE

Stainless steel-polished / Stainless steel-matt



BUBLE

Stainless steel-polished / Stainless steel-matt



DREAM

Stainless steel-polished / Stainless steel-matt

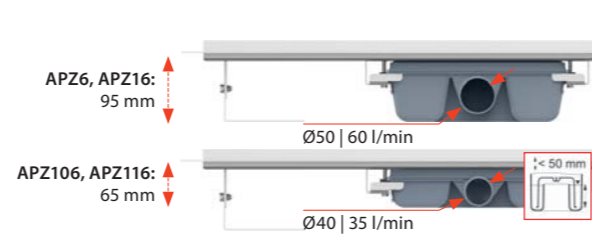


Quantity (packing) LINE-850	1 pc
Dimensions (piece) LINE-850	890x20x55 mm
Weight (piece) LINE-850	0,6485 kg

Table of size variants for linear shower drains and grids – page 208

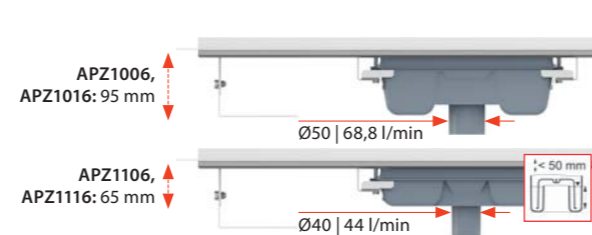
APZ6 Professional, APZ106 Professional Low

Shower drain with an edge for full grids
(300, 550, 650, 750, 850, 950, 1050, 1150 mm)

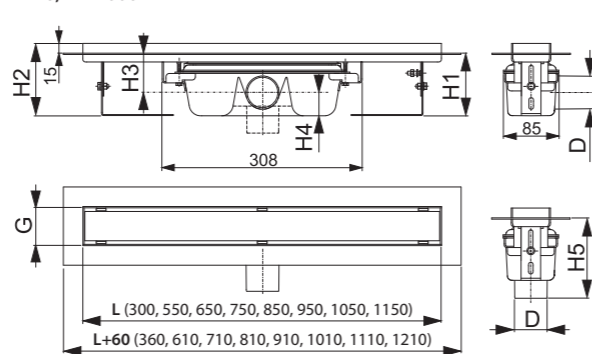


APZ1006 Professional, APZ1106 Professional Low

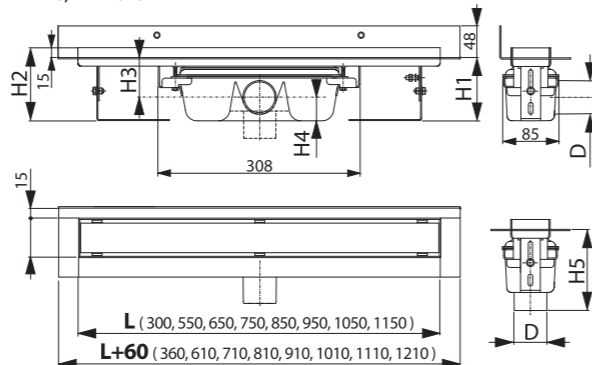
Shower drain with an edge for full grids, straight outlet
(300, 550, 650, 750, 850, 950, 1050, 1150 mm)



APZ6, APZ1006

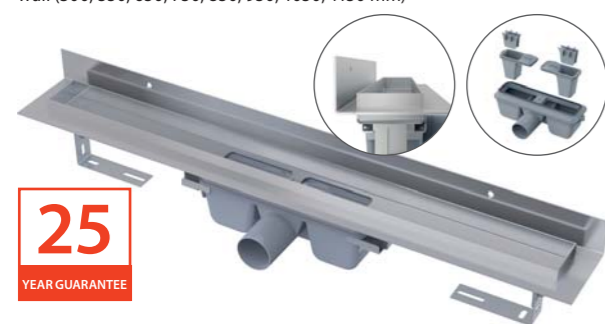


APZ16, APZ1016



APZ16 Wall, APZ116 Wall Low

Shower drain with an edge for full grids and fixed vertical flange to the wall
(300, 550, 650, 750, 850, 950, 1050, 1150 mm)



APZ1016 Wall, APZ1116 Wall Low

Shower drain with an edge for full grids and fixed vertical flange to the wall, straight outlet
(300, 550, 650, 750, 850, 950, 1050, 1150 mm)



Quantity (packing) APZ6-850	12 pcs
Dimensions (piece) APZ6-850	920x135x170 mm
Weight (piece) APZ6-850	3,9031 kg

Quantity (packing) APZ16-850	8 pcs
Dimensions (piece) APZ16-850	920x205x160 mm
Weight (piece) APZ16-850	4,4987 kg

Table of size variants for linear shower drains and grids – page 208

POSH

Stainless steel-matt



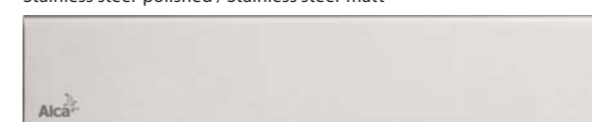
Quantity (packing) POSH-850	1 pc
Dimensions (piece) POSH-850	860x35x65 mm
Weight (piece) POSH-850	1,9787 kg

POSH

DESIGN

DESIGN

Stainless steel-polished / Stainless steel-matt



DESIGN-ANTIC

Bronze-antic



Quantity (packing) DESIGN-850	1 pc
Dimensions (piece) DESIGN-850	860x35x65 mm
Weight (piece) DESIGN-850	0,8614 kg

GAP

Stainless steel-matt



Quantity (packing) GAP-850	1 pc
Dimensions (piece) GAP-850	860x65x35 mm
Weight (piece) GAP-850	1,619 kg

	APZ6/1006 APZ16/1016	APZ106/1106 APZ116/1116
Minimum floor thickness (H1)	95 mm	65 mm
Total installation height (H2)	110-168 mm	80-106 mm
Height from the axis of the waste to the collar (H3)	59/- mm	44,5/- mm
Height from the axis of the waste to the bottom of the trap (H4)	36/- mm	21,5/- mm
Building height to the waste (H5)	-/122 mm	-/110 mm
Drain channel width (G)	60 mm	60 mm
Flow rate (EN 1253-1)	60/68,8 l/min	35/44 l/min
Outlet pipe diameter (D)	Ø50	Ø40
Material – drain body	stainless steel DIN 1.4301	
Material – odour trap	polypropylene	
Drain channel length (L)	300, 550, 650, 750, 850, 950, 1050, 1150 mm	

FLOOR

Grid for embedding tiles



Quantity (packing) FLOOR-850	1 pc
Dimensions (piece) FLOOR-850	860x35x65 mm
Weight (piece) FLOOR-850	0,9123 kg

GL1200

GLASS – glass-white



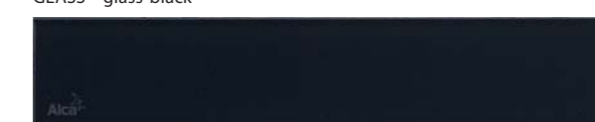
GL1202

GLASS – glass-green



GL1204

GLASS – glass-black



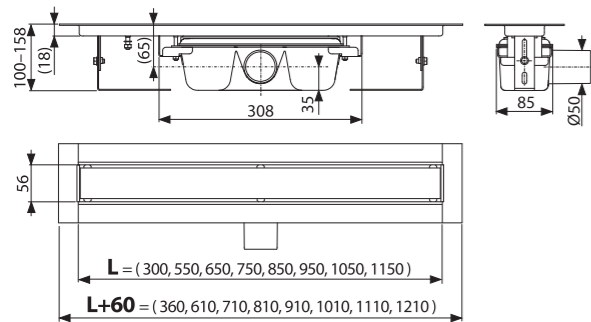
Quantity (packing) GL1200-850	1 pc
Dimensions (piece) GL1200-850	1200x0xØ60 mm
Weight (piece) GL1200-850	1,6431 kg

STAINLESS STEEL

These grids have the following codes:
DESIGN – the basis is a stainless steel U-profile, with rounded edges. Two different finishes are available: polished and brushed matt.
POSH – a solid stainless steel plate is attached to the standard U-profile, with clean lines and well-defined edges. Surface finish is brushed matt.
Load class – K3.

GLASS

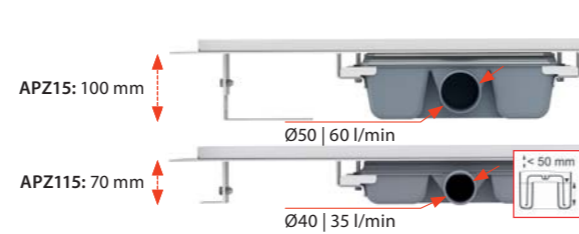
These grids have the following codes:
GL line – tempered glass
The grids are based on stainless steel U-profiles to which a solid piece of tempered glass is attached, available in a range of colours and with a high gloss finish. The special, toughened glass conforms to the relevant safety regulations EN 12150-2.
Load class – H15.

APZ15 Marble, APZ115 Marble LowShower drain without edge with grid for embedding tiles
(300, 550, 650, 750, 850, 950, 1050, 1150 mm)

	APZ15	APZ115
Minimum floor thickness (H1)	100-158 mm	71-97 mm
Height from the axis of the waste to the collar (H3)	65 mm	50 mm
Height from the axis of the waste to the bottom of the trap (H4)	35 mm	21 mm
Drain channel width (G)	56 mm	56 mm
Flow rate (EN 1253-1)	60-68,8 l/min	35 l/min
Outlet pipe diameter (D)	Ø50	Ø40
Load class (EN 1253-1)		K3 = max. 300 kg
Material – drain body (ČSN 17240)		stainless steel DIN 1.4301
Material – odour trap		polypropylene
Drain channel length (L)	300, 550, 650, 750, 850, 950, 1050, 1150 mm	

Quantity (packing) APZ15-850	8 pcs
Dimensions (piece) APZ15-850	920x205x160 mm
Weight (piece) APZ15-850	5,3917 kg

Table of size variants for linear shower drains and grids – page 208

**Package content**

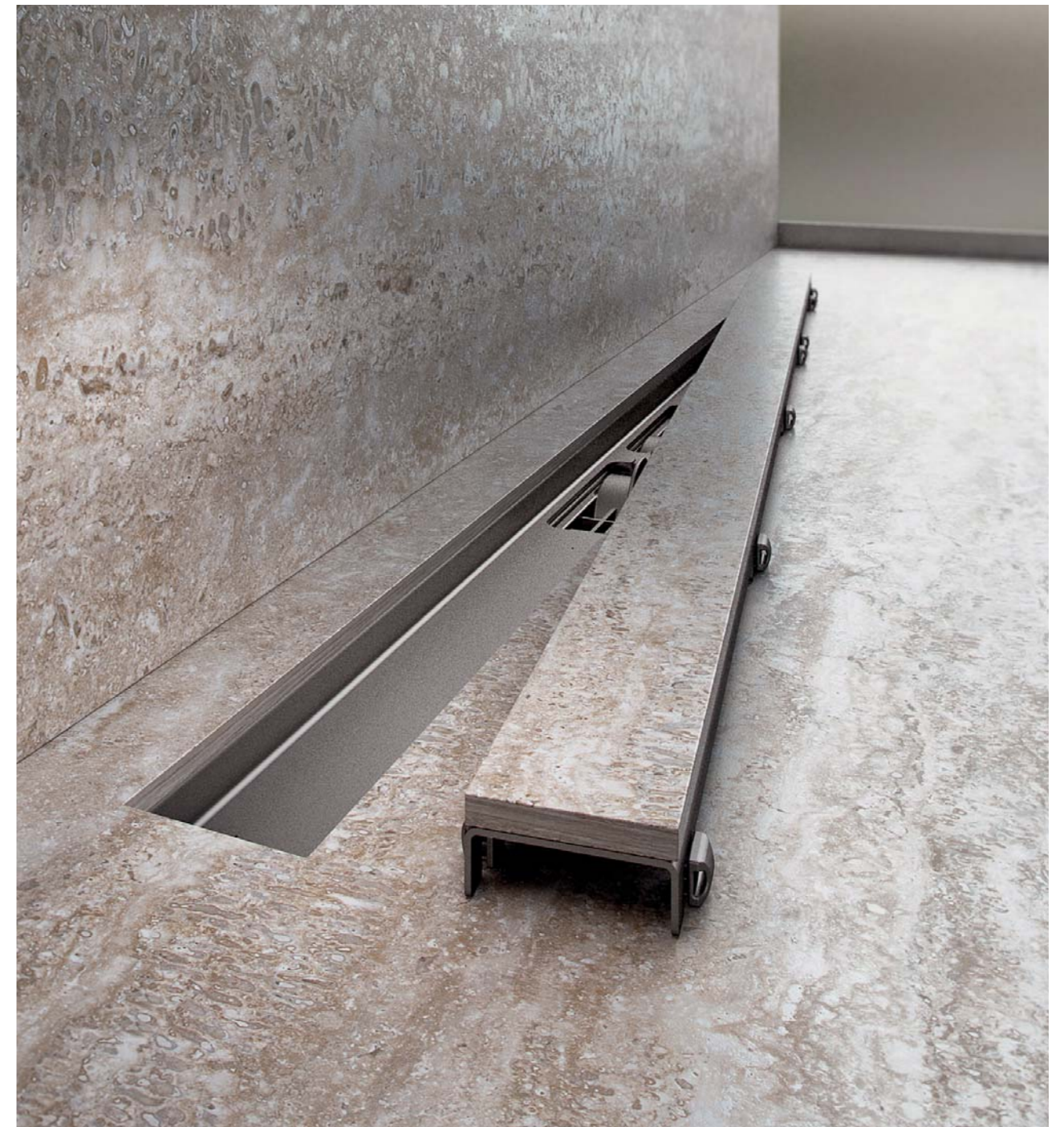
- Shower drain assembled with the odour trap
- Grid for gluing various types of floor coverings
- Template for cutting tiles on the grid
- Waterproof tape at the length of the linear drain
- Anchoring kit (screws, dowels)
- Installation legs
- Dismantling hook

Shower drain APZ15 Marble

The new generation of stainless steel shower drains APZ15 is aimed especially for design fans. The water is drained by two slots in the pavement of the bathroom that hides the stainless steel shower drain without edges. The view is not optically disturbed by the stainless steel edge neither on the grid nor on the shower drain. Naturally functioning secondary drainage will ensure outflow of moisture under the pavement back into the shower drain body.

Advantages of the shower drain:

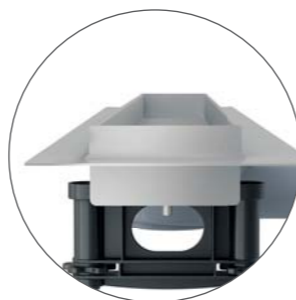
- Design shower drain is suitable for any paving thickness and for large format natural stone boards
- Water drainage is ensured by the slot in the pavement
- Uniform floor surface in the bathroom is achieved by the innovative shower drain and grid construction without edge
- The upper side of grid is covered with a special rough surface to ensure a safe bonding with the embedded tiles



APZ13 Fit and Go

All in one package. Shower drain APZ13 with two-sided grid DOUBLE

Set APZ13 Fit and Go includes shower drain, low odour trap APZ-S9 (81 mm) and two-sided grid DOUBLE. Fit and Go provides solutions for fast and easy installation.



APZ13-DOUBLE9 Fit and Go

Shower drain
(550, 650, 750, 850, 950 mm)



25
YEAR GUARANTEE



Package content

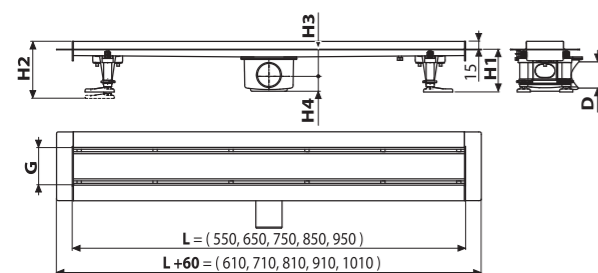
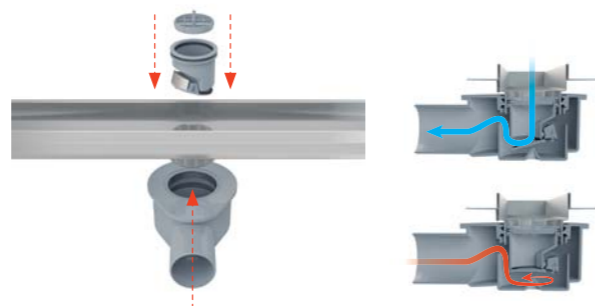
- Shower drain
- Two-sided grid DOUBLE (full grid or grid for tile embedding)
- Waterproof tape at the length of the linear drain
- Low odour trap APZ-S9
- Combined odour trap SMART
- Anchoring kit (screws, dowels)
- Installation legs
- Dismantling hook

Two-sided grid DOUBLE

The grid DOUBLE provides a choice – either a full stainless steel grid or simply by turning the grid for embedding tiles. The final decision can be made even after installation of the shower drain without any construction modifications. Two-sided grid DOUBLE offers both grid versions in one.

DOUBLE

Stainless steel-matt / Grid for embedding tiles
The grid is included



APZ13 Fit and Go	
Minimum floor thickness (H1)	81 mm
Total installation height (H2)	96–170 mm
Height from the axis of the waste to the collar (H3)	50mm
Height from the axis of the waste to the bottom of the trap (H4)	31mm
Drain channel width (G)	71 mm
Flow rate (EN 1253-1)	50 l/min
Outlet pipe diameter (D)	Ø50
Load class (EN 1253-1)	K3 = max. 300 kg
Material – drain body	stainless steel DIN 1.4301
Material – odour trap	polypropylene
Drain channel length (L)	550, 650, 750, 850, 950 mm

APZ23 Fit and Go Wall

Shower drain APZ23 Wall with vertical flange to wall and two-sided grid DOUBLE. All in one package.

Set APZ23 Fit and Go Wall includes shower drain with vertical flange to wall, low odour trap APZ-S9 (81 mm) and two-sided grid DOUBLE. Fit and Go provides solutions for fast and easy installation.

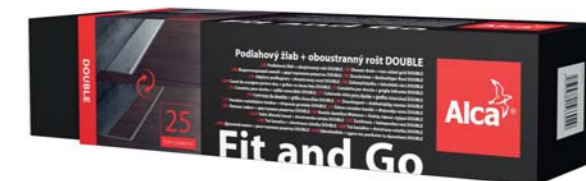


APZ23-DOUBLE9 Fit and Go Wall

Shower drain
(750, 850, 950 mm)



25
YEAR GUARANTEE



Package content

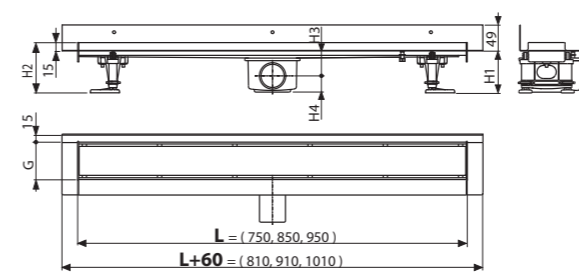
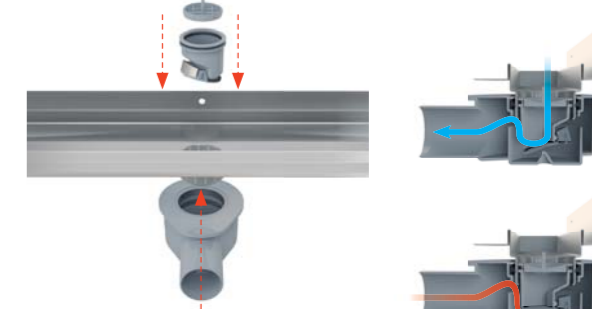
- Shower drain s límcem ke stěně
- Two-sided grid DOUBLE (full grid or grid for tile embedding)
- Waterproof tape at the length of the linear drain
- Low odour trap APZ-S9
- Combined odour trap SMART
- Anchoring kit (screws, dowels)
- Installation legs
- Dismantling hook

Two-sided grid DOUBLE

The grid DOUBLE provides a choice – either a full stainless steel grid or simply by turning the grid for embedding tiles. The final decision can be made even after installation of the shower drain without any construction modifications. Two-sided grid DOUBLE offers both grid versions in one.

DOUBLE

Stainless steel-matt / Grid for embedding tiles
The grid is included



APZ23 Fit and Go Wall	
Minimum floor thickness (H1)	81 mm
Total installation height (H2)	96–170 mm
Height from the axis of the waste to the collar (H3)	50mm
Height from the axis of the waste to the bottom of the trap (H4)	31mm
Drain channel width (G)	71 mm
Flow rate (EN 1253-1)	50 l/min
Outlet pipe diameter (D)	Ø50
Load class (EN 1253-1)	K3 = max. 300 kg
Material – drain body	stainless steel DIN 1.4301
Material – odour trap	polypropylene
Drain channel length (L)	750, 850, 950 mm

Stainless steel linear shower drains APZ13 Modular, APZ23 Modular Wall

The stainless steel shower drains APZ13 and APZ23 were designed as modular products according to current standards in Western markets. We offer 3 length variants with 3 optional traps and 7 grids. The grids range includes perforated and full grids, grids for embedding tiles and prismatic grid (parallel bars).



2 APZ13 Modular

Shower drain
(750, 850, 950 mm)



25
YEAR GUARANTEE

Quantity (packing) APZ13-850	20 pcs
Dimensions (piece) APZ13-850	940x156x84 mm
Weight (piece) APZ13-850	2,0398 kg

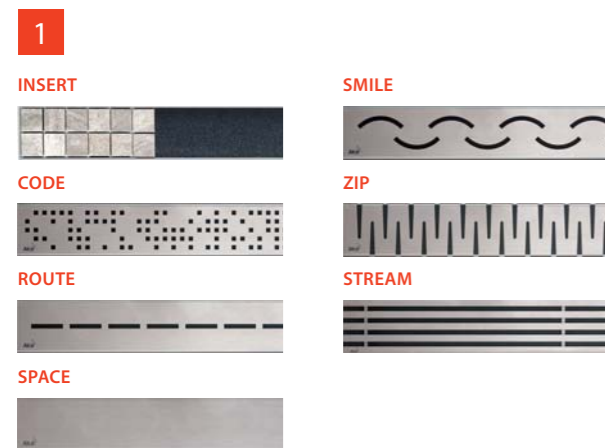
APZ23 Modular Wall

Shower drain
(750, 850, 950 mm)



25
YEAR GUARANTEE

Quantity (packing) APZ23-850	20 pcs
Dimensions (piece) APZ23-850	940x156x84 mm
Weight (piece) APZ23-850	2,6828 kg



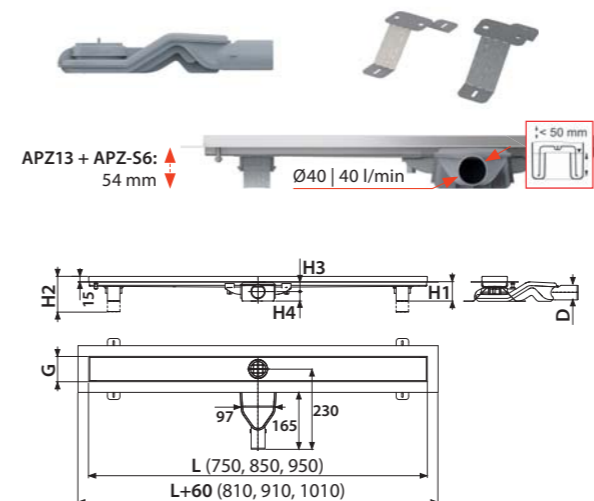
P143 P144 P145

Combined odour trap SMART for APZ-S6 Combined odour trap SMART for APZ-S9 Combined odour trap SMART for APZ-S12



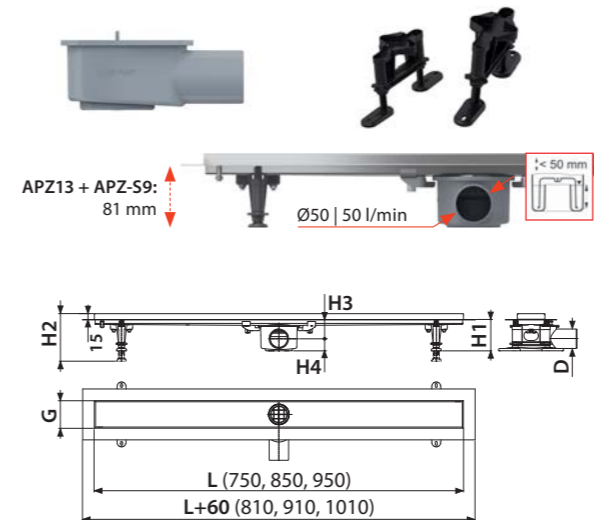
APZ-S6

Extra-low trap DN40 and set of adjustable legs



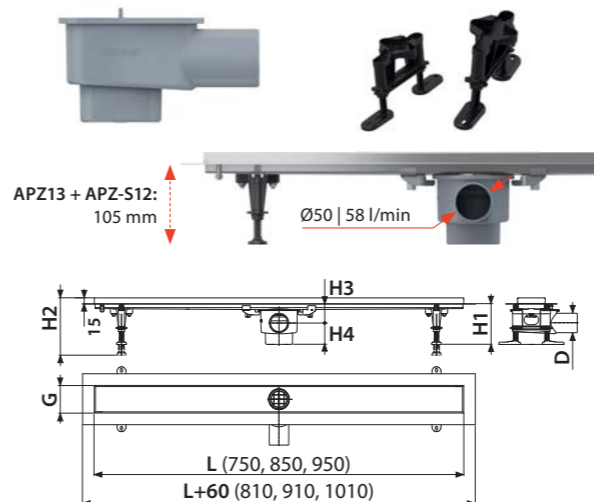
APZ-S9

Low trap DN50 and set of adjustable legs



APZ-S12

Trap DN50 and set of adjustable legs



CODE

Stainless steel-polished / Stainless steel-matt



ROUTE

Stainless steel-polished / Stainless steel-matt



SMILE

Stainless steel-polished / Stainless steel-matt



ZIP

Stainless steel-polished / Stainless steel-matt



INSERT

Grid for embedding tiles



SPACE

Stainless steel-matt



STREAM

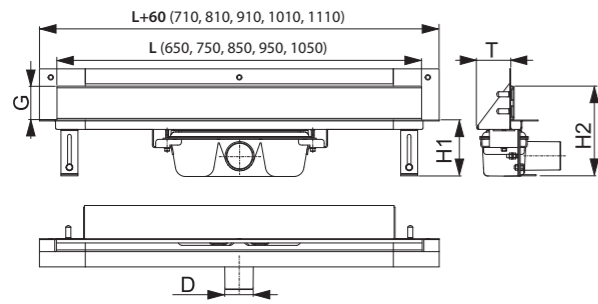
Stainless steel-matt



Quantity (packing) CODE-850	1 pc
Dimensions (piece) CODE-850	855x76x40 mm
Weight (piece) CODE-850	1,2047 kg

APZ13 + APZ-S6/APZ-S9/APZ-S12, APZ23 + APZ-S6/APZ-S9/APZ-S12	
Minimum floor thickness (H1)	54/81/105 mm
Total installation height (H2)	69–86/96–170/120–170 mm
Height from the axis of the waste to the collar (H3)	24/50/50 mm
Height from the axis of the waste to the bottom of the trap (H4)	30/31/55 mm
Drain channel width (G)	71 mm
Flow rate (EN 1253-1)	40/50/58 l/min
Outlet pipe diameter (D)	Ø40/50/50
Load class (EN 1253-1)	K3 = max. 300 kg
Material – drain body (ČSN 17240)	stainless steel DIN 1.4301
Material – odour trap	polypropylene
Drain channel length (L)	750, 850, 950 mm

APZ5-EDEN Spa
APZ5-SHADE Spa
APZ5-TWIN Spa
 Waste system for installation in walls
 (650, 750, 850, 950, 1050 mm)



APZ5	
Minimum floor thickness (H1)	100 mm
Total installation height (H2)	165–220 mm
Cover width (G)	60 mm
Flow rate (EN 1253-1)	60 l/min
Outlet pipe diameter (D)	Ø50
Installation depth (T)	64 mm
Material – drain body	stainless steel DIN 1.4301
Material – odour trap	polypropylene
Drain channel length (L)	650, 750, 850, 950, 1050 mm

Quantity (packing) APZ5-SHADE-850	8 pcs
Dimensions (piece) APZ5-SHADE-850	920x160x205 mm
Weight (piece) APZ5-SHADE-850	6,2432 kg

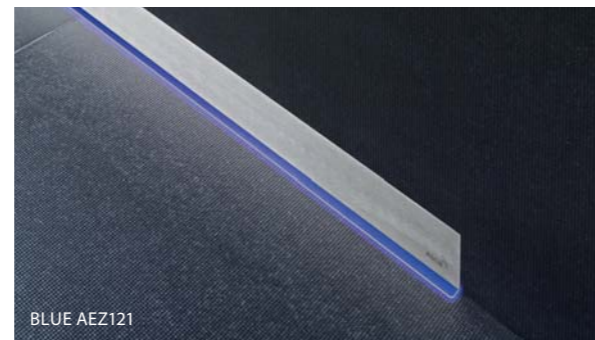
APZ5-EDEN Spa
 Cover stainless steel-polished



APZ5-SHADE Spa
 Cover stainless steel-matt



APZ5-TWIN Spa
 Cover for embedding tiles

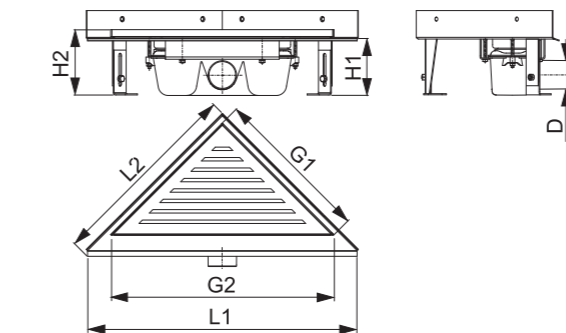


ALCA LIGHT

APZ5 Spa backlight		Length varieties of backlighting for APZ5 Spa shower drains				
Lighting colour	Length of the drain (mm)	650	750	850	950	1050
White	Code of backlighting in the length of the drain	AEZ 120-650	AEZ 120-750	AEZ 120-850	AEZ 120-950	AEZ 120-1050
Blue		AEZ 121-650	AEZ 121-750	AEZ 121-850	AEZ 121-950	AEZ 121-1050
Green		AEZ 122-650	AEZ 122-750	AEZ 122-850	AEZ 122-950	AEZ 122-1050
Red		AEZ 123-650	AEZ 123-750	AEZ 123-850	AEZ 123-950	AEZ 123-1050
Rainbow		AEZ 124-650	AEZ 124-750	AEZ 124-850	AEZ 124-950	AEZ 124-1050

Source for backlighting APZ5 Spa – AEZ310, AEZ311, AEZ320 – page 46. Overview of all order codes see page 209.

ARZ1
 Corner shower drain without an edge for perforated grids



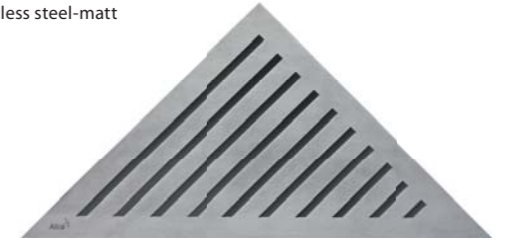
ARZ1	
Minimum floor thickness (H1)	100 mm
Total installation height (H2)	110–170 mm
Drain dimensions (L1xL2)	475x340 mm
Grid dimensions (G1xG2)	270x382 mm
Flow rate (EN 1253-1)	60 l/min
Outlet pipe diameter (D)	Ø50
Load class (EN 1253-1)	K3 = max. 300 kg
Material – drain body	stainless steel DIN 1.4301
Material – odour trap	polypropylene

Quantity (packing) ARZ1	4 pcs
Dimensions (piece) ARZ1	490x125x330 mm
Weight (piece) ARZ1	3,1764 kg

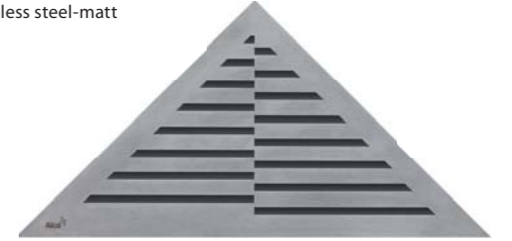
LIFE
 Stainless steel-matt



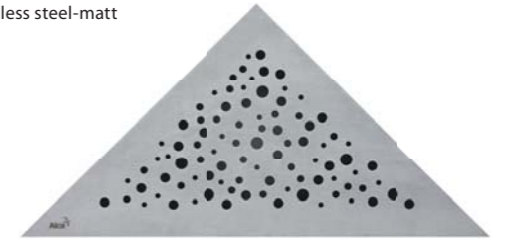
GRACE
 Stainless steel-matt



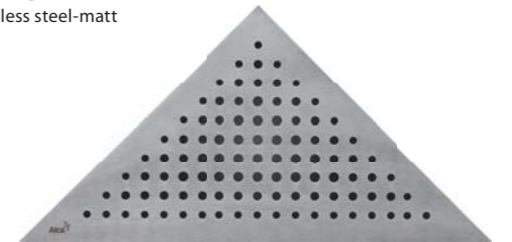
TIME
 Stainless steel-matt



VIEW
 Stainless steel-matt



TRITON
 Stainless steel-matt

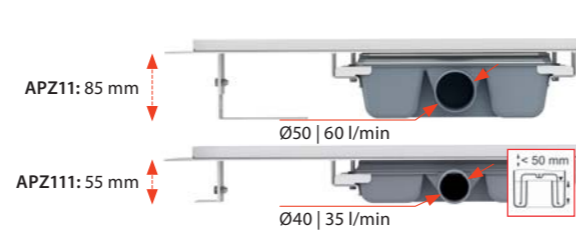


Quantity (packing) LIFE	1 pc
Dimensions (piece) LIFE	390x20x195 mm
Weight (piece) LIFE	1,2319 kg

Table of size variants for linear shower drains and grids – page 208

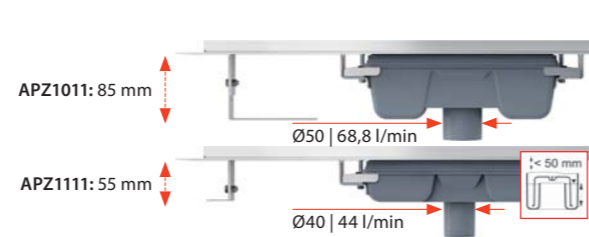
APZ11 Antivandal, APZ111 Antivandal Low

Shower drain Antivandal with grid
(300, 550, 650, 750, 850, 950, 1050, 1150 mm)



APZ1011 Antivandal, APZ1111 Antivandal Low

Shower drain Antivandal with grid, straight outlet
(300, 550, 650, 750, 850, 950, 1050, 1150 mm)

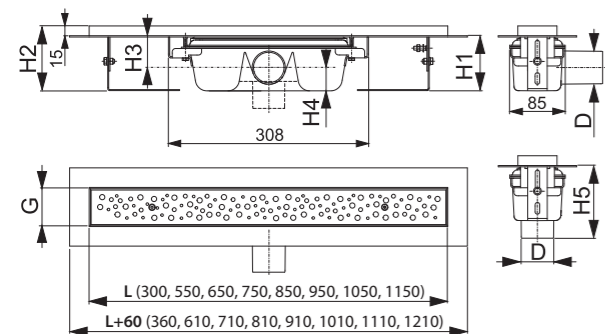


BUBLE

Stainless steel-polished / Stainless steel-matt



The grid is included



	APZ11/1011	APZ111/1111
Minimum floor thickness (H1)	85 mm	55 mm
Total installation height (H2)	100–158 mm	70–96 mm
Height from the axis of the waste to the collar (H3)	48/- mm	33,5/- mm
Height from the axis of the waste to the bottom of the trap (H4)	36/- mm	21,5/- mm
Building height to the waste (H5)	-/111 mm	-/100 mm
Drain channel width (G)	60 mm	60 mm
Flow rate (EN 1253-1)	60/68,8 l/min	35/44 l/min
Outlet pipe diameter (D)	Ø50	Ø40
Load class (EN 1253-1)	K3 = max. 300 kg	
Material – drain body	stainless steel DIN 1.4301	
Material – odour trap	polypropylene	
Drain channel length (L)	300, 550, 650, 750, 850, 950, 1050, 1150 mm	

Quantity (packing) APZ11-850	12 pcs
Dimensions (piece) APZ11-850	920x135x170 mm
Weight (piece) APZ11-850	4,3762 kg

P095

Set of combined odour traps for stainless steel shower drains ALCA



Quantity (packing)	1 pc
Quantity (pallet)	- pcs

P143

Combined odour trap SMART for APZ-S6



Quantity (packing)	1 pc
Quantity (pallet)	- pcs

P144

Combined odour trap SMART for APZ-S9



Quantity (packing)	1 pc
Quantity (pallet)	- pcs

P145

Combined odour trap SMART for APZ-S12



Quantity (packing)	1 pc
Quantity (pallet)	- pcs

AHP80

Waterproof tape – length 1200 mm



Quantity (packing)	1 pc
Quantity (pallet)	- pcs

APZ10BLACK Simple

Shower drain with an edge for perforated grids, black-matt (550, 650, 750, 850, 950 mm)



6
YEAR GUARANTEE

CLICK SYSTEM



APZ8 Simple
APZ9 Simple
APZ10 Simple

Shower drain with an edge for perforated grids (550, 650, 750, 850, 950 mm)



6
YEAR GUARANTEE

CLICK SYSTEM



APZ8 / APZ9 / APZ10 / APZ10BLACK / APZ18	
Minimum floor thickness (H1)	62 mm
Total installation height (H2)	75–110 mm
Drain channel width (G)	60 mm
Flow rate (EN 1253-1)	30 l/min
Outlet pipe diameter (D)	Ø40
Load class (EN 1253-1)	K3 = max. 300 kg
Material – drain body	polypropylene
Material – odour trap	polypropylene
Drain channel length (L)	550, 650, 750, 850, 950 mm

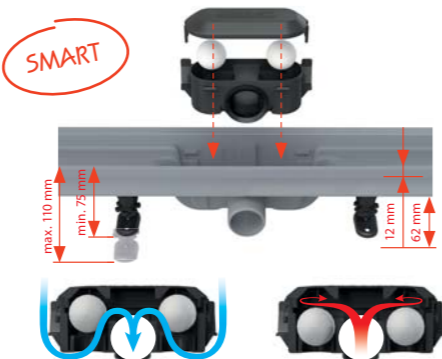
Quantity (packing) APZ8-850M	30 pcs
Dimensions (piece) APZ8-850M	965x80x145 mm
Weight (piece) APZ8-850M	2,1489 kg

APZ10BLACK Simple

Stainless steel-black matt – the grid is included



All in package



APZ8 Simple

Stainless steel-matt – the grid is included



APZ9 Simple

Stainless steel-matt – the grid is included



APZ10 Simple

Stainless steel-matt – the grid is included



All in package

Package content (APZ8, APZ9, APZ10, APZ10BLACK, APZ18, APZ30)

- Shower drain
- Grid
- Waterproof tape at the length of the linear drain
- Combined odour SMART trap
- Anchoring kit (screws, dowels)
- Installation legs
- Dismantling hook

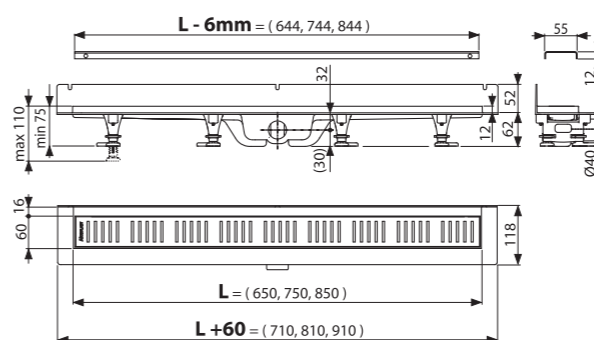
APZ30 Wall

Shower drain with an edge for perforated grids and fixed vertical flange to the wall (650, 750, 850 mm)



6
YEAR GUARANTEE

CLICK SYSTEM



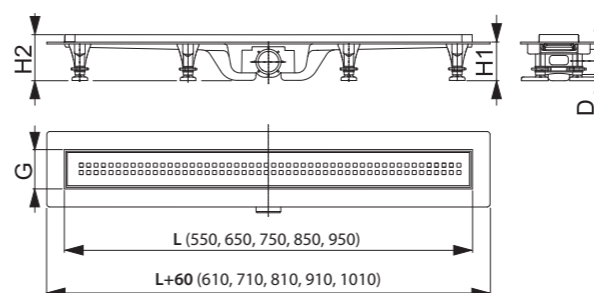
APZ18 Simple

Shower drain with a stainless steel edge for perforated grids (550, 650, 750, 850, 950 mm)



6
YEAR GUARANTEE

CLICK SYSTEM



APZ30 Wall

Stainless steel-matt – the grid is included



All in package

APZ30	
Minimum floor thickness (H1)	62 mm
Total installation height (H2)	75–110 mm
Drain channel width (G)	60 mm
Flow rate (EN 1253-1)	30 l/min
Outlet pipe diameter (D)	Ø40
Load class (EN 1253-1)	K3 = max. 300 kg
Material – drain body	polypropylene
Material – odour trap	polypropylene
Drain channel length (L)	650, 750, 850 mm

Quantity (packing) APZ30-850M	30 pcs
Dimensions (piece) APZ30-850M	865x80x145 mm
Weight (piece) APZ30-850M	1,9727 kg

APZ18 Simple

Stainless steel-matt – the grid is included



All in package

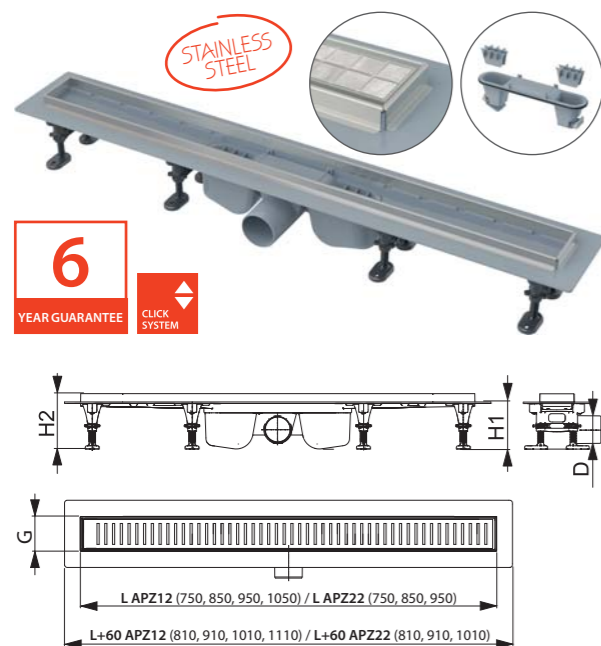
APZ12 Optimal

Shower drain with an edge for perforated grids or tile embedding (750, 850, 950, 1050 mm)



APZ22 Optimal

Shower drain with a stainless steel edge for perforated grids or tile embedding (750, 850, 950 mm)



	APZ12	APZ22
Minimum floor thickness (H1)	85 mm	85 mm
Total installation height (H2)	100–125 mm	101–126 mm
Drain channel width (G)	61,5 mm	63 mm
Flow rate (EN 1253-1)	63 l/min	63 l/min
Outlet pipe diameter (D)	Ø50	Ø50
Load class (EN 1253-1)		K3 = max. 300 kg
Material – drain body	polypropylene	stainless steel DIN 1.4301 / polypropylene
Material – odour trap		polypropylene
Drain channel length (L)	750, 850, 950, 1050 mm	750, 850, 950 mm

Quantity (packing) APZ12-850	12 pcs
Dimensions (piece) APZ12-850	920x125x150 mm
Weight (piece) APZ12-850	1,51 kg

LINE

Stainless steel-polished / Stainless steel-matt



PURE

Stainless steel-polished / Stainless steel-matt



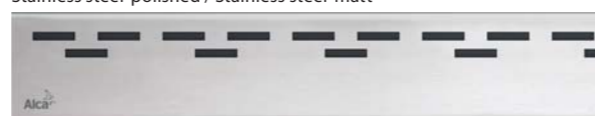
CUBE

Stainless steel-polished / Stainless steel-matt



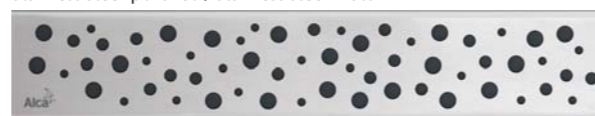
HOPE

Stainless steel-polished / Stainless steel-matt



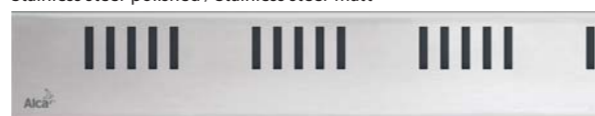
BUBLE

Stainless steel-polished / Stainless steel-matt



DREAM

Stainless steel-polished / Stainless steel-matt



SOLID

Stainless steel-matt

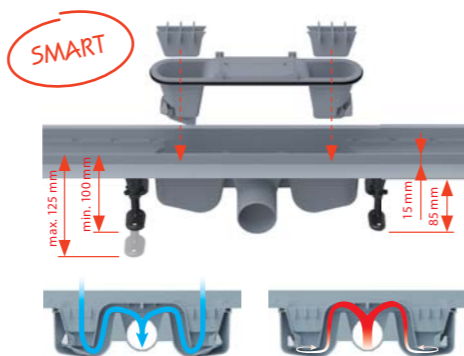


TILE

Grid for embedding tiles



Quantity (packing) LINE-850	1 pc
Dimensions (piece) LINE-850	890x20x55 mm
Weight (piece) LINE-850	0,6485 kg



LINE

Stainless steel-polished / Stainless steel-matt



PURE

Stainless steel-polished / Stainless steel-matt



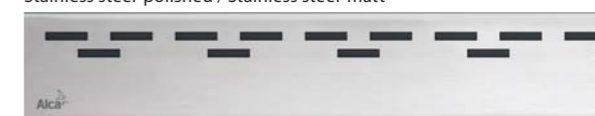
CUBE

Stainless steel-polished / Stainless steel-matt



HOPE

Stainless steel-polished / Stainless steel-matt



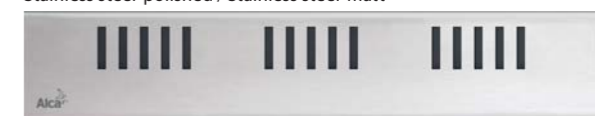
BUBLE

Stainless steel-polished / Stainless steel-matt



DREAM

Stainless steel-polished / Stainless steel-matt



SOLID

Stainless steel-matt



TILE

Grid for embedding tiles



Quantity (packing) LINE-850	1 pc
Dimensions (piece) LINE-850	890x20x55 mm
Weight (piece) LINE-850	0,6485 kg

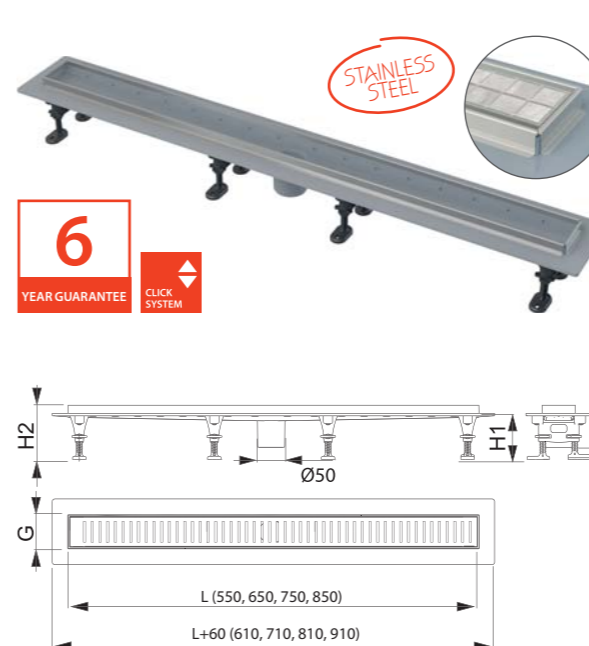
APZ2012 Optimal

Shower drain with an edge for perforated grids or tile embedding, without odour trap (550, 650, 750, 850 mm)



APZ2022 Optimal

Shower drain with a stainless steel edge for perforated grids or tile embedding, without odour trap (550, 650, 750, 850 mm)



	APZ2012	APZ2022
Minimum floor thickness (H1)	85 mm	85 mm
Total installation height (H2)	100–125 mm	101–126 mm
Drain channel width (G)	61,5 mm	63 mm
Flow rate (EN 1253-1)	>80 l/min	>80 l/min
Outlet pipe diameter	Ø50	Ø50
Load class (EN 1253-1)		K3 = max. 300 kg
Material – drain body	polypropylene	stainless steel DIN 1.4301 / polypropylene
Material – odour trap		polypropylene
Drain channel length (L)	550, 650, 750, 850 mm	

Quantity (packing) APZ2012-850	14 pcs
Dimensions (piece) APZ2012-850	920x143x106 mm
Weight (piece) APZ2012-850	1,3051 kg

P138

Low trap DN50 for shower drains APZ2012, APZ2022



Quantity (packing)	28 pc
Quantity (pallet)	– pcs

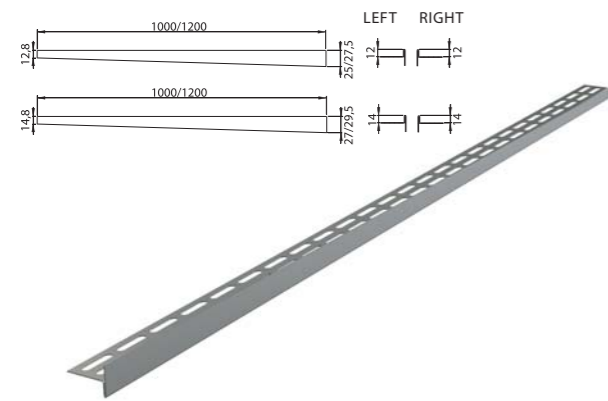
P142

Extra-low trap DN40 for shower drains APZ2012, APZ2022



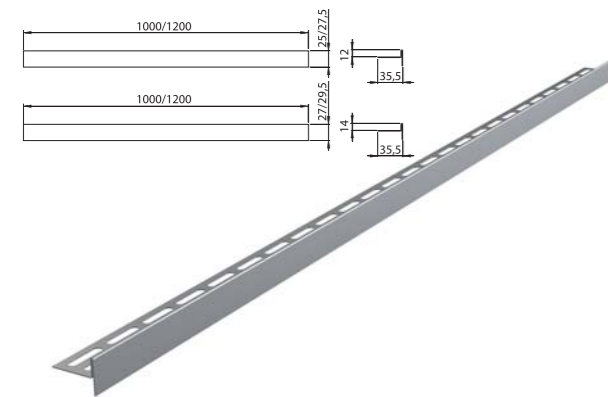
Quantity (packing)	36 pc
Quantity (pallet)	– pcs

Stainless steel strip for sloped floors



Quantity (packing)	1 pc
Dimensions (piece)	1000x36x27,5 mm
Material	stainless steel DIN 1.4301

Stainless steel double-sided strip for sloped floors



Quantity (packing)	1 pc
Dimensions (piece)	1000x36x27 mm
Material	stainless steel DIN 1.4301

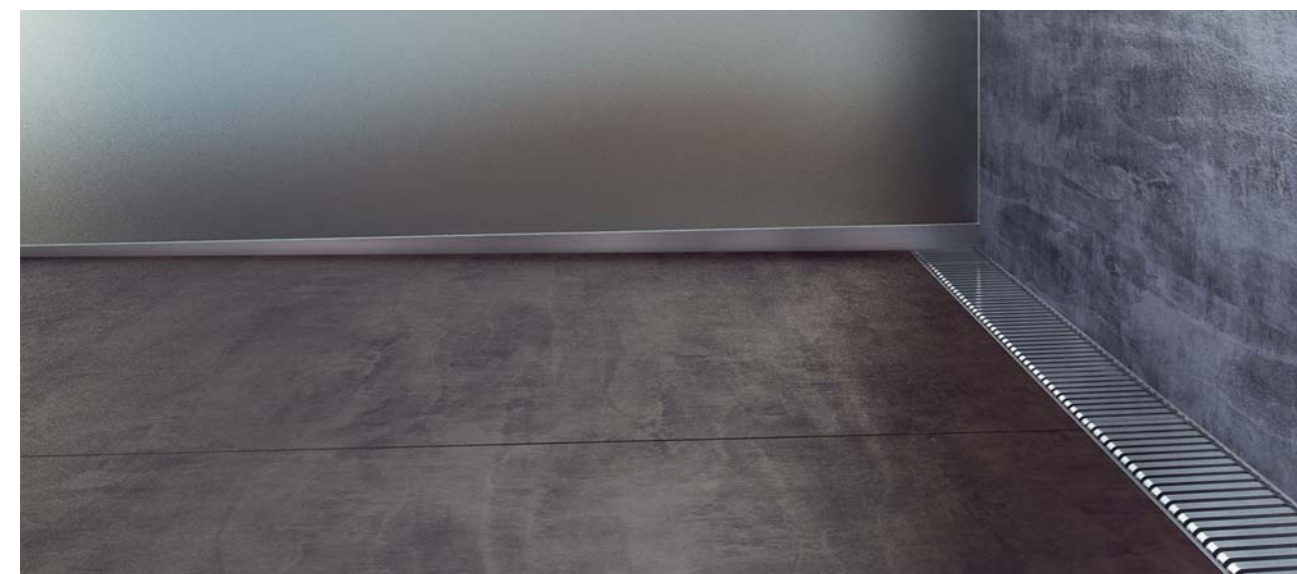
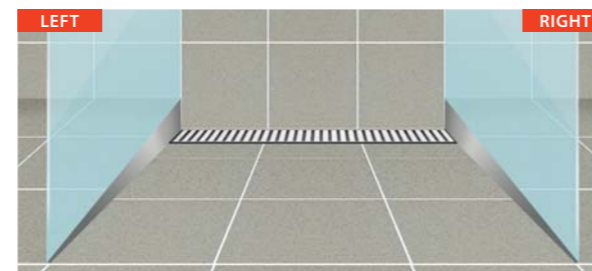
Table of variants for stainless steel strips for sloped floor

Code	Flange height	Length (mm)	Type	Version
APZ 901M/1000	12	1000	left	matt
APZ 902M/1000	12	1000	right	matt
APZ 903M/1000	14	1000	left	matt
APZ 904M/1000	14	1000	right	matt

Code	Flange height	Length (mm)	Type	Version
APZ 901M/1200	12	1200	left	matt
APZ 902M/1200	12	1200	right	matt
APZ 903M/1200	14	1200	left	matt
APZ 904M/1200	14	1200	right	matt

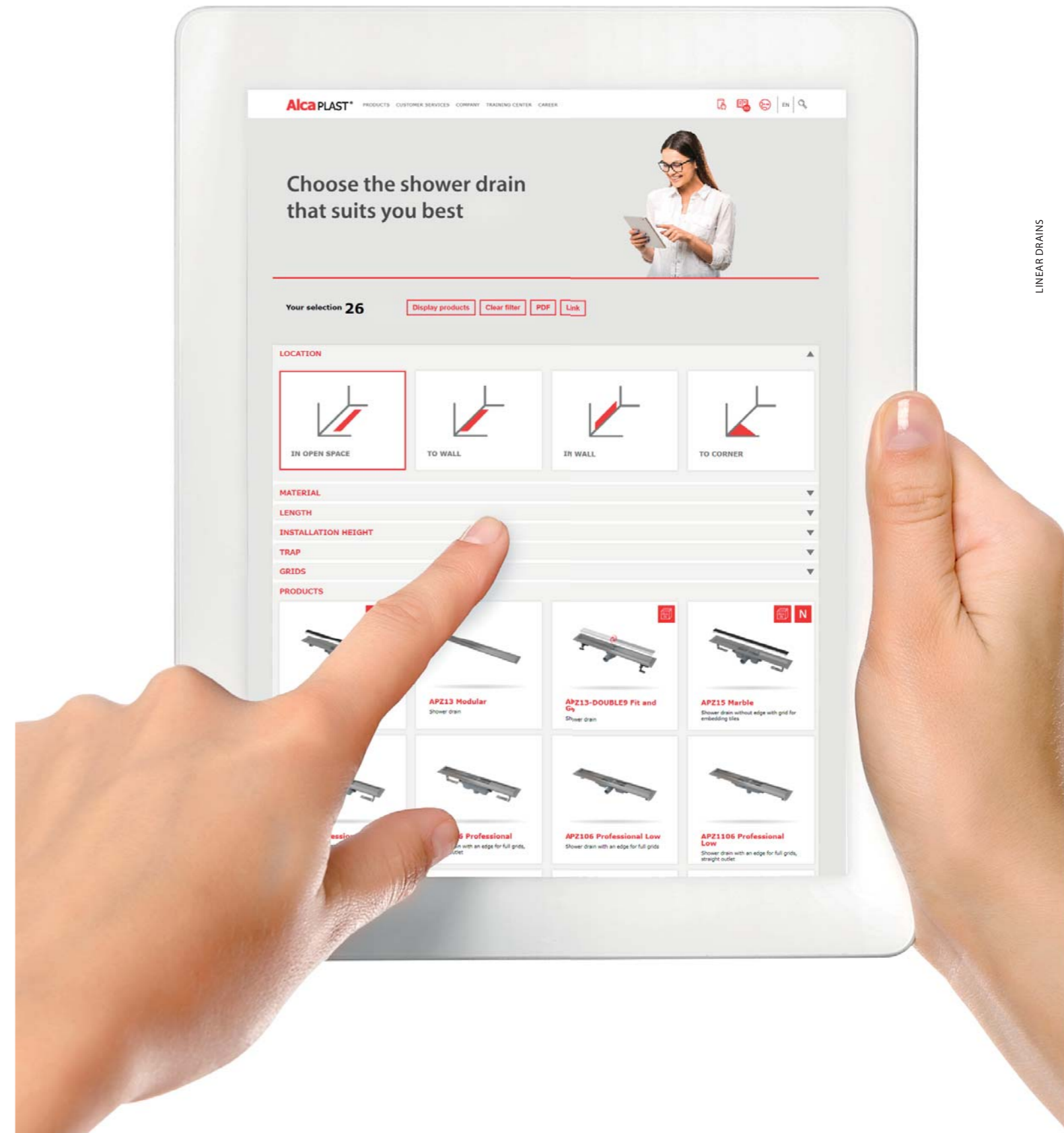
Table of variants for stainless steel strips for sloped floor

Code	Flange height	Length (mm)	Type	Version
APZ 905M/1000	12	1000	double-sided	matt
APZ 905M/1200	12	1200	double-sided	matt
APZ 906M/1000	14	1000	double-sided	matt
APZ 906M/1200	14	1200	double-sided	matt



Shower drain configurator

We have launched a shower drain configurator on our website, which will significantly facilitate orientation in a wide portfolio of ALCA shower drains. You are able to quickly find a shower drain suitable for your bathroom by selecting the items in the configurator according to your preferences.




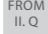



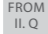
Tailor made stainless steel products

Point drains	98
Box drains	99
Slotted drains	104
Drainage channels	106
Swimming pool grates	110

Industrial point drains


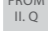
150x150 mm, DN75


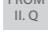
APR3-2110  
Industrial point drain 150x150, stainless steel AISI 304

APR3-2120  
Industrial point drain 150x150, stainless steel AISI 316L




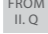
Material stainless steel 1,5 mm


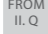
APR3-1110  
Industrial point drain 150x150, stainless steel AISI 304

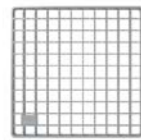
APR3-1120  
Industrial point drain 150x150, stainless steel AISI 316L




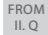
Material stainless steel 1,5 mm


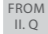
APR-R21-150-150  
Cover grating for point drain 150x150, stainless steel AISI 304

APR-R22-150-150  
Cover grating for point drain 150x150, stainless steel AISI 316L



Material stainless steel 2 mm


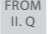
APR-R31-150-150  
Cover grating for point drain 150x150, stainless steel AISI 304


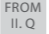
APR-R32-150-150  
Cover grating for point drain 150x150, stainless steel AISI 316L



Material stainless steel 3 mm


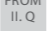
200x200 mm, DN110


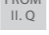
APR4-2111  
Industrial point drain 200x200, stainless steel AISI 304

APR4-2121  
Industrial point drain 200x200, stainless steel AISI 316L




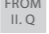
Material stainless steel 1,5 mm

APR4-1111  
Industrial point drain 200x200, stainless steel AISI 304

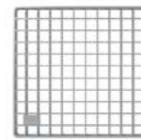
APR4-1121  
Industrial point drain 200x200, stainless steel AISI 316L




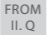
Material stainless steel 1,5 mm

APR-R21-200-200  
Cover grating for point drain 200x200, stainless steel AISI 304

APR-R22-200-200  
Cover grating for point drain 200x200, stainless steel AISI 316L



Material stainless steel 2 mm


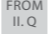
APR-R31-200-200  
Cover grating for point drain 200x200, stainless steel AISI 304


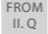
APR-R32-200-200  
Cover grating for point drain 200x200, stainless steel AISI 316L



Material stainless steel 3 mm

300x300 mm, DN160/110


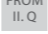
APR5-2111  
Industrial point drain 300x300, stainless steel AISI 304


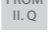
APR5-2121  
Industrial point drain 300x300, stainless steel AISI 316L



DN160

Material stainless steel 1,5 mm


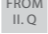
APR5-1111  
Industrial point drain 300x300, stainless steel AISI 304


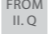
APR5-1121  
Industrial point drain 300x300, stainless steel AISI 316L

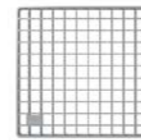


DN110


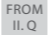
Material stainless steel 1,5 mm


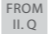
APR-R21-300-300  
Cover grating for point drain 300x300, stainless steel AISI 304

APR-R22-300-300  
Cover grating for point drain 300x300, stainless steel AISI 316L



Material stainless steel 2 mm

APR-R31-300-300  
Cover grating for point drain 300x300, stainless steel AISI 304

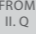
APR-R32-300-300  
Cover grating for point drain 300x300, stainless steel AISI 316L


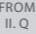


Material stainless steel 3 mm

Industrial box point drains – end piece or mid-continuous channel piece

Width 135 mm, DN110


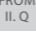
APR6-2311-135  
Industrial point drain with box inlet 250x250-135, stainless steel AISI 304

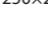
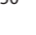
APR6-2321-135  
Industrial point drain with box inlet 250x250-135, stainless steel AISI 316L



L – 375 mm

Material stainless steel 1,5 mm


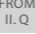
APR6-1311-135-L  
APR6-1311-135-P
Industrial point drain with box inlet 250x250-135, stainless steel AISI 304


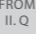
APR6-1321-135-L  
APR6-1321-135-P
Industrial point drain with box inlet 250x250-135, stainless steel AISI 316L

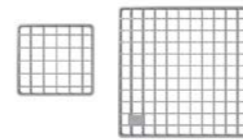


L – 375 mm


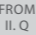
Material stainless steel 1,5 mm


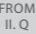
APR-R21-250-250-1  
Cover grating for point drain with box inlet APR6, stainless steel AISI 304

APR-R22-250-250-1  
Cover grating for point drain with box inlet APR6, stainless steel AISI 316L



Material stainless steel 2 mm


APR-R31-250-250-1  
Cover grating for point drain with box inlet APR6, stainless steel AISI 304


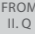
APR-R32-250-250-1  
Cover grating for point drain with box inlet APR6, stainless steel AISI 316L



Material stainless steel 3 mm

Width 135 mm, DN110

APR6-2211-135  
Industrial point drain with box inlets 250x250-135, stainless steel AISI 304


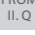
APR6-2221-135  
Industrial point drain with box inlets 250x250-135, stainless steel AISI 316L



L – 500 mm

Material stainless steel 1,5 mm


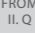
APR6-1211-135  
Industrial point drain with box inlets 250x250-135, stainless steel AISI 304


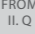
APR6-1221-135  
Industrial point drain with box inlets 250x250-135, stainless steel AISI 316L

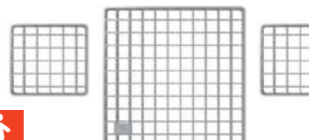


L – 500 mm


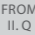
Material stainless steel 1,5 mm


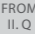
APR-R21-130-135-2  
Cover grating for point drain with box inlets APR6, stainless steel AISI 304

APR-R22-130-135-2  
Cover grating for point drain with box inlets APR6, stainless steel AISI 316L



Material stainless steel 2 mm


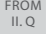
APR-R31-130-135-2  
Cover grating for point drain with box inlets APR6, stainless steel AISI 304


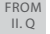
APR-R32-130-135-2  
Cover grating for point drain with box inlets APR6, stainless steel AISI 316L



Material stainless steel 3 mm

Width 210 mm, DN110


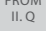
APR6-2211-210  
Industrial point drain with box inlets 250x250-210, stainless steel AISI 304


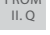
APR6-2221-210  
Industrial point drain with box inlets 250x250-210, stainless steel AISI 316L



L – 1000 mm

Material stainless steel 1,5 mm

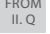
APR6-1211-210  
Industrial point drain with box inlets 250x250-210, stainless steel AISI 304

APR6-1221-210  
Industrial point drain with box inlets 250x250-210, stainless steel AISI 316L



L – 1000 mm

Material stainless steel 1,5 mm

APR-R21-1000-210  
Cover grating for box drain 1 m, stainless steel AISI 304

APR-R22-1000-210  
Cover grating for box drain 1 m, stainless steel AISI 316L



Material stainless steel 2 mm

APR-R31-1000-210  
Cover grating for box drain 1 m, stainless steel AISI 304

APR-R32-1000-210  
Cover grating for box drain 1 m, stainless steel AISI 316L



Material stainless steel 3 mm

TAILOR MADE STAINLESS STEEL PRODUCTS

Industrial box drains 1 m

Width 135 mm

APR6-0211-135 N FROM II. Q
Industrial box drain 1 m, stainless steel AISI 304

APR6-0221-135 N FROM II. Q
Industrial box drain 1 m, stainless steel AISI 316L



Material stainless steel 1,5 mm

Width 210 mm

APR6-0211-210 N FROM II. Q
Industrial box drain 1 m, stainless steel AISI 304

APR6-0221-210 N FROM II. Q
Industrial box drain 1 m, stainless steel AISI 316L



Material stainless steel 1,5 mm

Sloped

TAILOR MADE PRODUCTS

APR6-ATYP-S N FROM II. Q
Industrial sloped box drain 1 m, stainless steel AISI 304 / AISI 316L



Material stainless steel 1,5 mm

APR-R21-1000-135 N FROM II. Q
Cover grating for box drain 1 m, stainless steel AISI 304

APR-R22-1000-135 N FROM II. Q
Cover grating for box drain 1 m, stainless steel AISI 316L



Material stainless steel 2 mm

APR-R21-1000-210 N FROM II. Q
Cover grating for box drain 1 m, stainless steel AISI 304

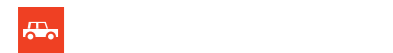
APR-R22-1000-210 N FROM II. Q
Cover grating for box drain 1 m, stainless steel AISI 316L



Material stainless steel 2 mm

APR-R31-1000-135 N FROM II. Q
Cover grating for box drain 1 m, stainless steel AISI 304

APR-R32-1000-135 N FROM II. Q
Cover grating for box drain 1 m, stainless steel AISI 316L



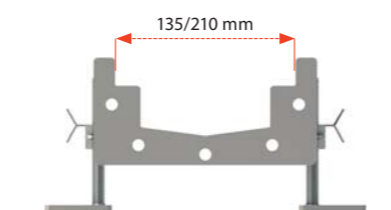
Material stainless steel 3 mm

APR-R31-1000-210 N FROM II. Q
Cover grating for box drain 1 m, stainless steel AISI 304

APR-R32-1000-210 N FROM II. Q
Cover grating for box drain 1 m, stainless steel AISI 316L



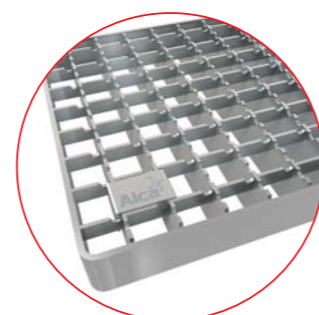
Material stainless steel 3 mm



Industrial drains with a slope can be configured to a maximum length of 12 meters in a single line as part of the tailor made production.

Delivery times are based on individual quotes.

Mesh cover grating



Industrial corner box drains 1x1 m

Width 135 mm

APR6-0211-135R N FROM II. Q
Industrial corner box drain 1 m, stainless steel AISI 304

APR6-0221-135R N FROM II. Q
Industrial corner box drain 1 m, stainless steel AISI 316L



Material stainless steel 1,5 mm

Width 210 mm

APR6-0211-210R N FROM II. Q
Industrial corner box drain, 1 m, stainless steel AISI 304

APR6-0221-210R N FROM II. Q
Industrial corner box drain 1 m, stainless steel AISI 316L



Material stainless steel 1,5 mm

Sloped

TAILOR MADE PRODUCTS

APR6-ATYP-SR N FROM II. Q
Industrial corner sloped box drain 1 m, stainless steel AISI 304 / 316L



Material stainless steel 1,5 mm

APR-R21-1000-135 N FROM II. Q
Cover grating for box drain 1 m, stainless steel AISI 304

APR-R21-865-135 N FROM II. Q
Cover grating for corner box drain, stainless steel AISI 304

APR-R22-1000-135 N FROM II. Q
Cover grating for box drain 1 m, stainless steel AISI 316L

APR-R22-865-135 N FROM II. Q
Cover grating for corner box drain, stainless steel AISI 316L



Material stainless steel 2 mm

APR-R21-1000-210 N FROM II. Q
Cover grating for box drain 1 m, stainless steel AISI 304

APR-R21-790-210 N FROM II. Q
Cover grating for corner box drain, stainless steel AISI 304

APR-R22-1000-210 N FROM II. Q
Cover grating for box drain 1 m, stainless steel AISI 316L

APR-R22-790-210 N FROM II. Q
Cover grating for corner box drain, stainless steel AISI 316L



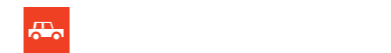
Material stainless steel 2 mm

APR-R31-1000-135 N FROM II. Q
Cover grating for box drain 1 m, stainless steel AISI 304

APR-R31-865-135 N FROM II. Q
Cover grating for corner box drain, stainless steel AISI 304

APR-R32-1000-135 N FROM II. Q
Cover grating for box drain 1 m, stainless steel AISI 316L

APR-R32-865-135 N FROM II. Q
Cover grating for corner box drain, stainless steel AISI 316L



Material stainless steel 3 mm

APR-R31-1000-210 N FROM II. Q
Cover grating for box drain 1 m, stainless steel AISI 304

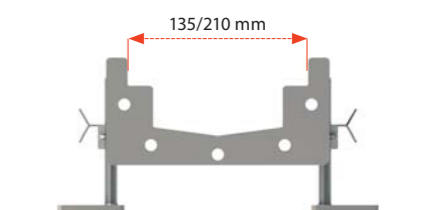
APR-R31-790-210 N FROM II. Q
Cover grating for corner box drain, stainless steel AISI 304

APR-R32-1000-210 N FROM II. Q
Cover grating for box drain 1 m, stainless steel AISI 316L

APR-R32-790-210 N FROM II. Q
Cover grating for corner box drain, stainless steel AISI 316L



Material stainless steel 3 mm



Industrial corner drains with a slope can be configured following the system of the sloped drainage as per bespoke project specification.

Delivery times are based on individual quotes.

Always use 2 length variants of the grid for the assembly of the industrial corner box drain:




APR-RXX-1000-135 + APR-RXX-865-135

APR-RXX-1000-210 + APR-RXX-790-210

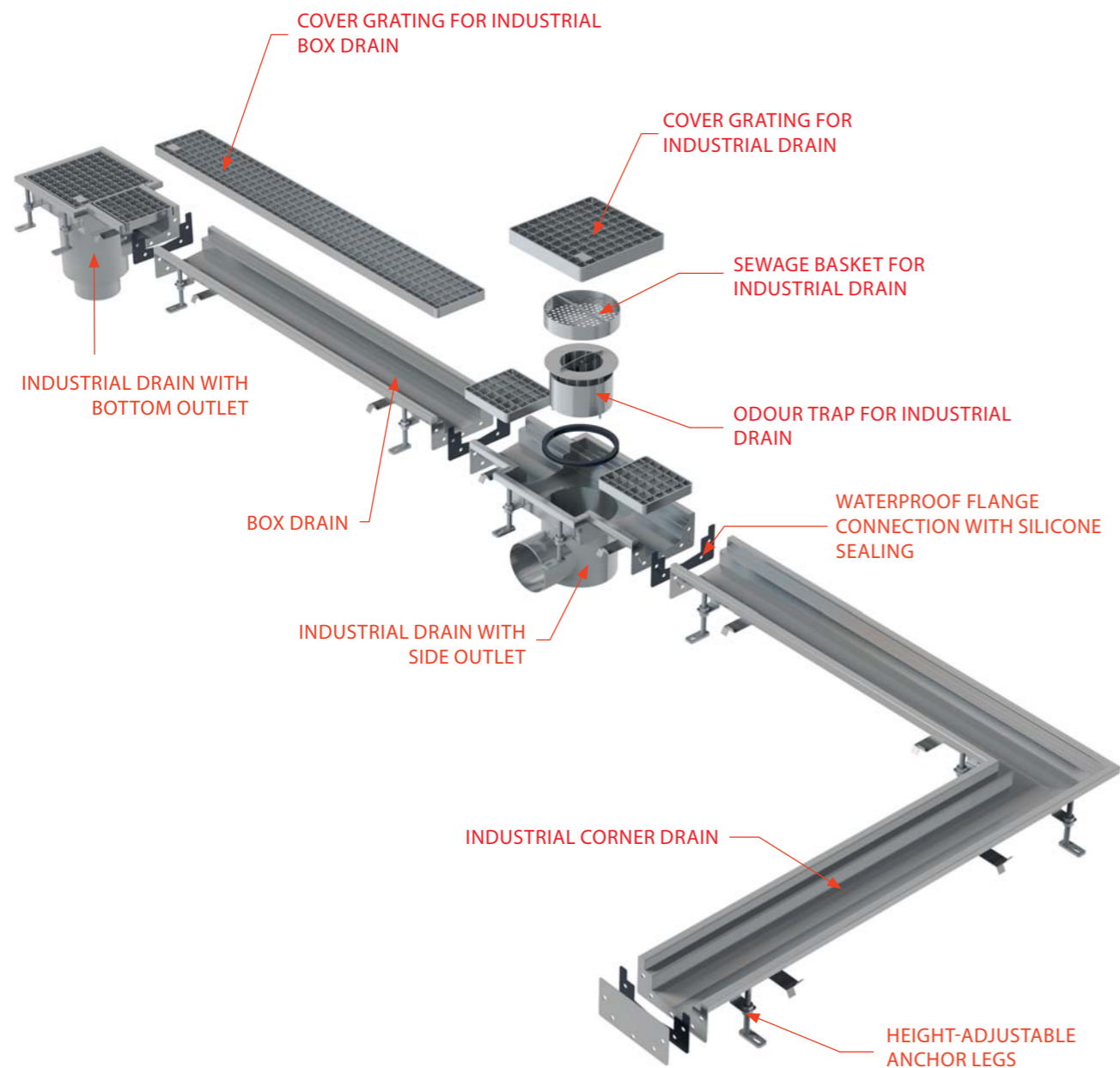
Grill cover grating



Accessories for the industrial box drains

Width 135 mm	Width 210 mm	Sloped
<p>APR6-P101-135 N FROM II. Q</p> <p>End cap for box drain 135, stainless steel AISI 304</p> 	<p>APR6-P101-210 N FROM II. Q</p> <p>End cap for box drain 210, stainless steel AISI 304</p> 	<p style="background-color: #e67e22; color: white; padding: 2px; text-align: center;">TAILOR MADE PRODUCTS</p> <p>APR6-P-ATYP-S N FROM II. Q</p> <p>End cap for sloped box drain, stainless steel AISI 304 / 316L</p> 
Material stainless steel 2 mm	Material stainless steel 2 mm	Material stainless steel 2 mm

Modular system of industrial box drainage



COVER GRATING FOR INDUSTRIAL BOX DRAIN

COVER GRATING FOR INDUSTRIAL DRAIN

SEWAGE BASKET FOR INDUSTRIAL DRAIN

INDUSTRIAL DRAIN WITH BOTTOM OUTLET

BOX DRAIN

INDUSTRIAL DRAIN WITH SIDE OUTLET

ODOUR TRAP FOR INDUSTRIAL DRAIN


WATERPROOF FLANGE CONNECTION WITH SILICONE SEALING


INDUSTRIAL CORNER DRAIN

HEIGHT-ADJUSTABLE ANCHOR LEGS


Rim solution options for the modular industrial box drainage system and the slotted drainage system

TAILOR MADE PRODUCTS

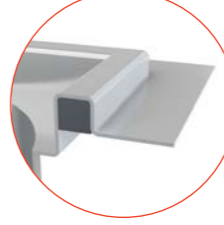




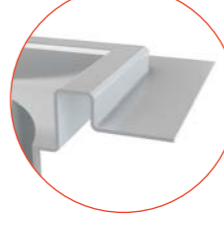
Rim with reinforcement
Variant for high load areas




Rim without reinforcement
Variant for areas without high load



Rim with reinforcement and with extended fringe
Variant for high load areas with an option to connect hydro-insulation



Rim without reinforcement but with extended fringe
Variant for areas without high load but with an option to connect hydro-insulation



Rim for vinyl
Variant for the use with vinyl floor

Slotted point drains – end piece or mid-continuous channel piece

250x250 mm, DN110

APR7-2311-20 N FROM II. Q
Industrial point drain with slot inlet 250x250, stainless steel AISI 304

APR7-2321-20 N FROM II. Q
Industrial point drain with slot inlet 250x250, stainless steel AISI 316L



L – 375 mm

Material stainless steel 1,5 mm

250x250 mm, DN110

APR7-2211-20 N FROM II. Q
Industrial point drain with slot inlets 250x250, stainless steel AISI 304

APR7-2221-20 N FROM II. Q
Industrial point drain with slot inlets 250x250, stainless steel AISI 316L



L – 500 mm

Material stainless steel 1,5 mm

250x250 mm, DN110

APR7-1211-20 N FROM II. Q
Industrial point drain with slot inlets 250x250, stainless steel AISI 304

APR7-1221-20 N FROM II. Q
Industrial point drain with slot inlets 250x250, stainless steel AISI 316L



L – 500 mm

Material stainless steel 1,5 mm

APR7-1311-20-L N FROM II. Q

APR7-1311-20-P
Industrial point drain with slot inlet 250x250, stainless steel AISI 304

APR7-1321-20-L N FROM II. Q

APR7-1321-20-P
Industrial point drain with slot inlet 250x250, stainless steel AISI 316L



L – 375 mm

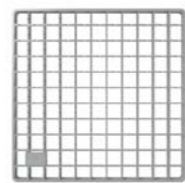
Material stainless steel 1,5 mm

APR-R21-250-250 N FROM II. Q

Cover grating for point drains APR7, stainless steel AISI 304

APR-R22-250-250 N FROM II. Q

Cover grating for point drains APR7, stainless steel AISI 316L



Material stainless steel 2 mm

APR-R31-250-250 N FROM II. Q

Cover grating for point drains APR7, stainless steel AISI 304

APR-R32-250-250 N FROM II. Q

Cover grating for point drains APR7, stainless steel AISI 316L



Material stainless steel 3 mm

Industrial slotted drains 1 m linear and industrial corner slotted drains 1x1 m

Width 20 mm

APR7-0211-20R N FROM II. Q
Industrial corner slotted drain 1 m, stainless steel AISI 304

APR7-0221-20R N FROM II. Q
Industrial corner slotted drain 1 m, stainless steel AISI 316L



Material stainless steel 1,5 mm

Width 20 mm

APR7-0211-20 N FROM II. Q
Industrial slotted drain 1 m, stainless steel AISI 304

APR7-0221-20 N FROM II. Q
Industrial slotted drain 1 m, stainless steel AISI 316L



Material stainless steel 1,5 mm

Width 20 mm

APR7-P101-20 N FROM II. Q
End cap for slotted drain, stainless steel AISI 304

APR7-P102-20 N FROM II. Q
End cap for slotted drain, stainless steel AISI 316L



Material stainless steel 2 mm

Industrial slotted drains 1 m linear and industrial corner slotted drains 1x1 m

Sloped, width 20 mm

TAILOR MADE PRODUCTS

APR7-ATYP-20SR N FROM II. Q
Industrial corner sloped slotted drain 1 m, stainless steel AISI 304 / AISI 316L



Material stainless steel 1,5 mm

Sloped, width 20 mm

TAILOR MADE PRODUCTS

APR7-ATYP-20S N FROM II. Q
Industrial sloped slotted drain 1 m, stainless steel AISI 304 / AISI 316L



Material stainless steel 1,5 mm

Sloped, width 20 mm

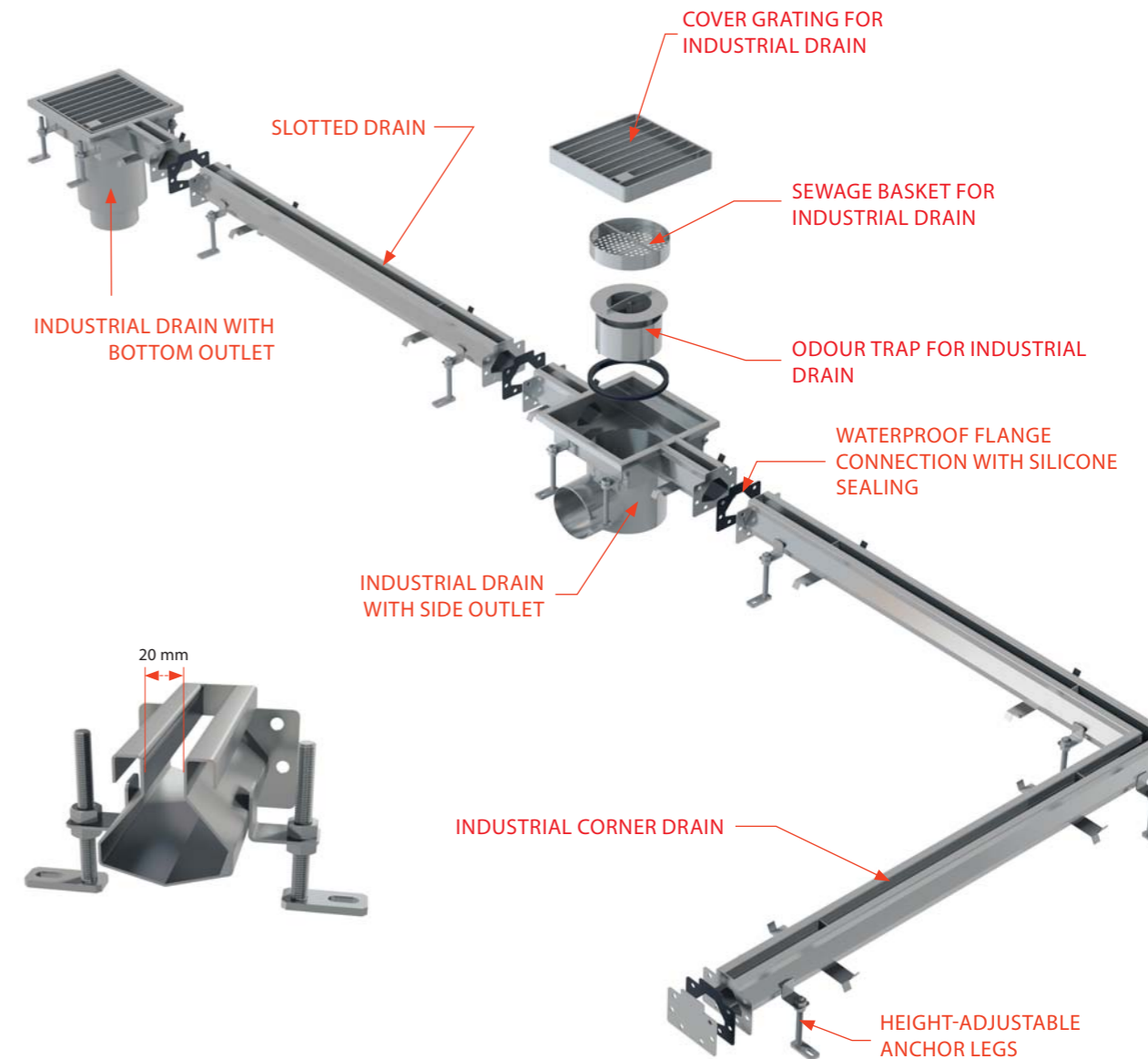
TAILOR MADE PRODUCTS

APR7-P-ATYP-20S N FROM II. Q
End cap for sloped slotted drain, stainless steel AISI 304 / AISI 316L



Material stainless steel 2 mm

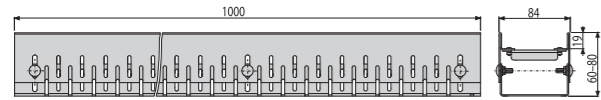
Modular system of industrial slotted drainage



TAILOR MADE STAINLESS STEEL PRODUCTS

ADZ101V
Drainage channel 75 mm adjustable, galvanized steel

ADZ301V
Drainage channel 75 mm adjustable, stainless steel



Quantity (packing)	1 pc
Quantity (pallet)	100 pcs
Material	galvanized steel/stainless steel

ADZ331V
Drainage channel 75 mm adjustable, stainless steel



Quantity (packing)	1 pc
Quantity (pallet)	100 pcs
Material	stainless steel

ADZ-R101
Grid for drainage channel 75 mm, galvanized steel

ADZ-R301
Grid for drainage channel 75 mm, stainless steel



ADZ-R102
Grid for drainage channel 75 mm, galvanized steel

ADZ-R302
Grid for drainage channel 75 mm, stainless steel



ADZ-R103
Grid for drainage channel 75 mm, galvanized steel

ADZ-R303
Grid for drainage channel 75 mm, stainless steel

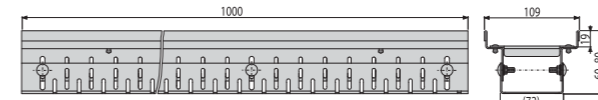


ADZ-R304
Grid for drainage channel 75 mm, stainless steel



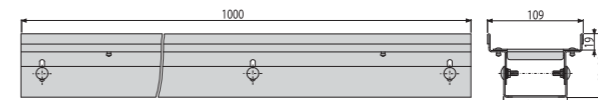
ADZ102V
Drainage channel 100 mm adjustable, galvanized steel

ADZ302V
Drainage channel 100 mm adjustable, stainless steel



Quantity (packing)	1 pc
Quantity (pallet)	100 pcs
Material	galvanized steel/stainless steel

ADZ332V
Drainage channel 100 mm adjustable, stainless steel



Quantity (packing)	1 pc
Quantity (pallet)	- pcs
Material	stainless steel

ADZ-R121
Grid for drainage channel 100 mm, galvanized steel

ADZ-R321
Grid for drainage channel 100 mm, stainless steel



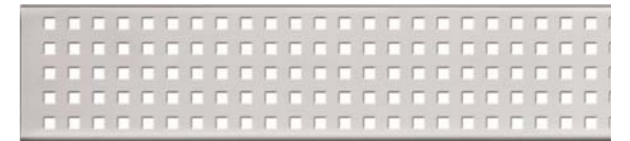
ADZ-R122
Grid for drainage channel 100 mm, galvanized steel

ADZ-R322
Grid for drainage channel 100 mm, stainless steel



ADZ-R123
Grid for drainage channel 100 mm, galvanized steel

ADZ-R323
Grid for drainage channel 100 mm, stainless steel



ADZ-R324
Grid for drainage channel 100 mm, stainless steel



ADZ-P003
End cap for drainage channel 75 mm, galvanized steel

ADZ-P007
Coupler for drainage channel 75 mm, galvanized steel

ADZ-P001
End cap for drainage channel 75 mm, stainless steel

ADZ-P005
Coupler for drainage channel 75 mm, stainless steel

ADZ-P011
End cap for drainage channel 75 mm, stainless steel

ADZ-P004
End cap for drainage channel 100 mm, galvanized steel

ADZ-P008
Coupler for drainage channel 100 mm, galvanized steel

ADZ-P002
End cap for drainage channel 100 mm, stainless steel

ADZ-P006
Coupler for drainage channel 100 mm, stainless steel

ADZ-P012
End cap for drainage channel 100 mm, stainless steel



Quantity (packing)	-
Quantity (pallet)	-
Material	galvanized steel/ stainless steel

Quantity (packing)	-
Quantity (pallet)	-
Material	galvanized steel/stainless steel

Quantity (packing)	1
Quantity (pallet)	-
Material	stainless steel

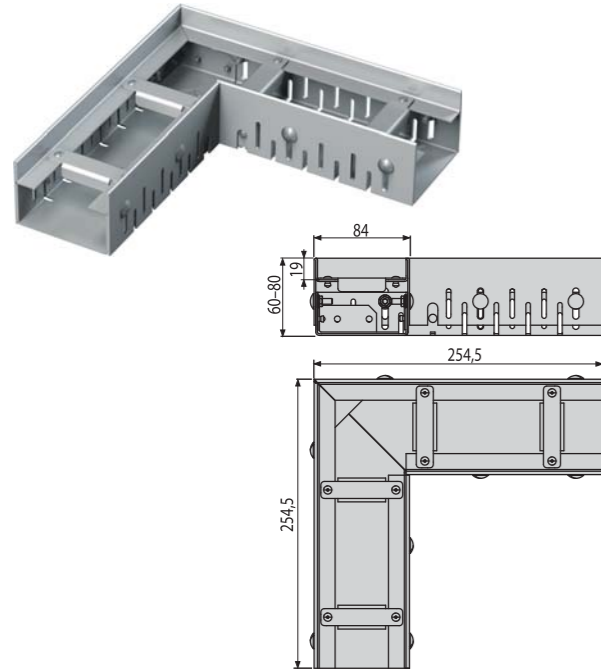
Quantity (packing)	-
Quantity (pallet)	-
Material	galvanized steel/stainless steel

Quantity (packing)	-
Quantity (pallet)	-
Material	galvanized steel/stainless steel

Quantity (packing)	11
Quantity (pallet)	-
Material	stainless steel

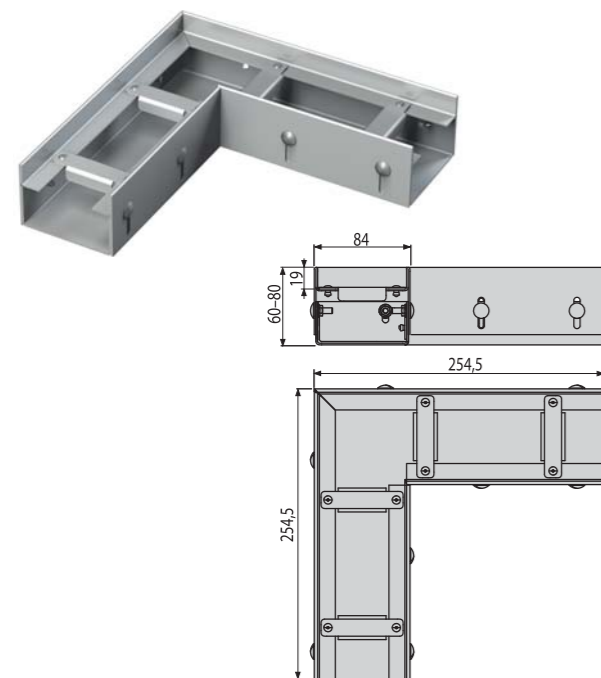
ADZ101VR
Drainage corner channel 75 mm adjustable, galvanized steel

ADZ301VR
Drainage corner channel 75 mm adjustable, stainless steel



Quantity (packing)	1 pc
Quantity (pallet)	100 pcs
Material	galvanized steel/stainless steel

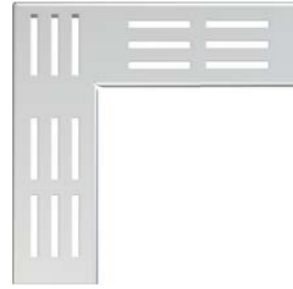
ADZ331VR
Drainage corner channel 75 mm adjustable, stainless steel



Quantity (packing)	1 pc
Quantity (pallet)	100 pcs
Material	galvanized steel/stainless steel

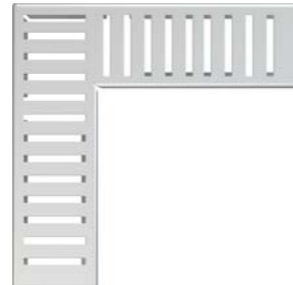
ADZ-R101R
Grid for drainage corner channel 75 mm, galvanized steel

ADZ-R301R
Grid for drainage corner channel 75 mm, stainless steel



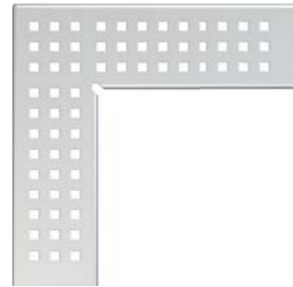
ADZ-R102R
Grid for drainage corner channel 75 mm, galvanized steel

ADZ-R302R
Grid for drainage corner channel 75 mm, stainless steel

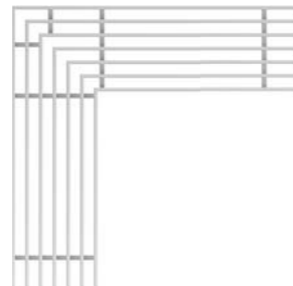


ADZ-R103R
Grid for drainage corner channel 75 mm, galvanized steel

ADZ-R303R
Grid for drainage corner channel 75 mm, stainless steel

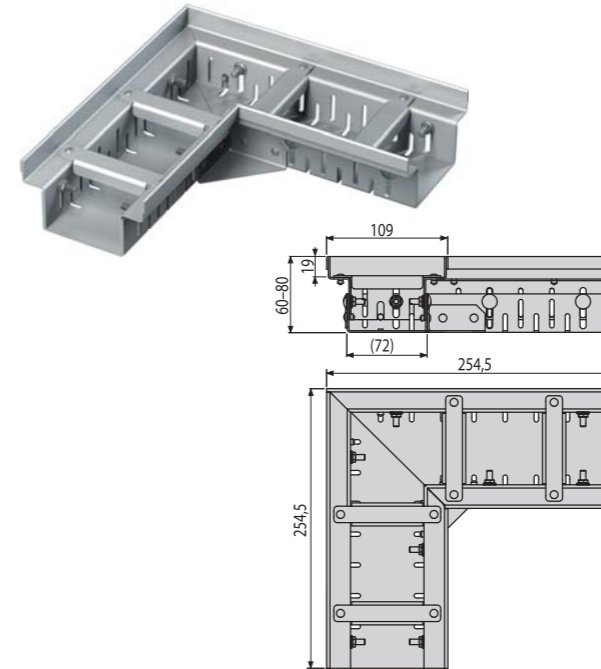


ADZ-R304R
Grid for drainage corner channel 75 mm, stainless steel



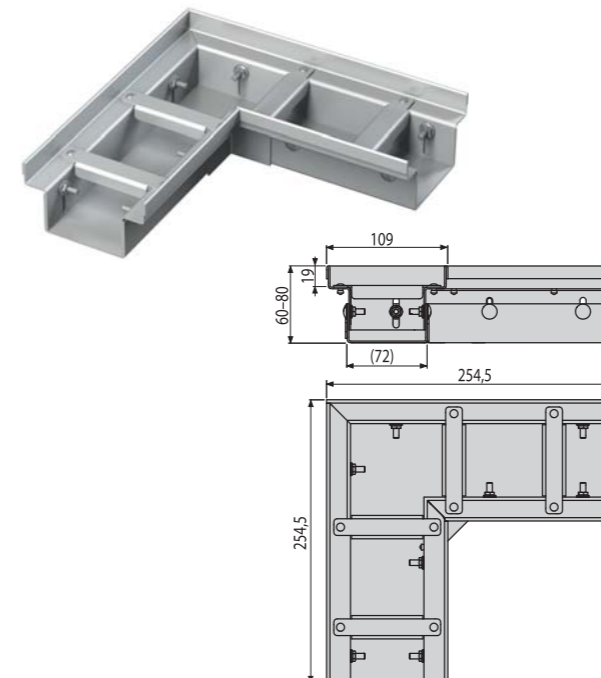
ADZ102VR
Drainage corner channel 100 mm adjustable, galvanized steel

ADZ302VR
Drainage corner channel 100 mm adjustable, stainless steel



Quantity (packing)	1 pc
Quantity (pallet)	100 pcs
Material	galvanized steel/stainless steel

ADZ332VR
Drainage corner channel 100 mm adjustable, stainless steel



Quantity (packing)	1 pc
Quantity (pallet)	100 pcs
Material	galvanized steel/stainless steel

ADZ-R121R
Grid for drainage corner channel 100 mm, galvanized steel

ADZ-R321R
Grid for drainage corner channel 100 mm, stainless steel



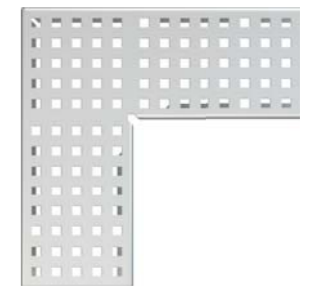
ADZ-R122R
Grid for drainage corner channel 100 mm, galvanized steel

ADZ-R322R
Grid for drainage corner channel 100 mm, stainless steel

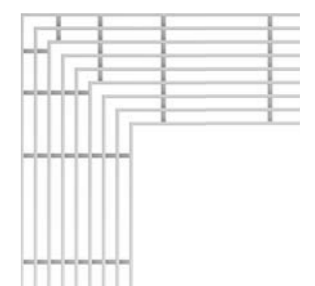


ADZ-R123R
Grid for drainage corner channel 100 mm, galvanized steel

ADZ-R323R
Grid for drainage corner channel 100 mm, stainless steel

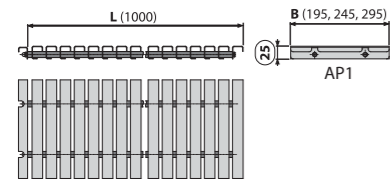


ADZ-R324R
Grid for drainage corner channel 100 mm, stainless steel



AP1

Swimming pool overflow grating without anti-slip surface

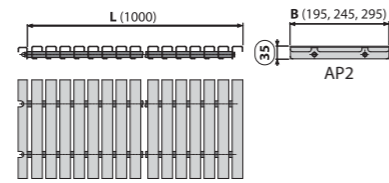


5
YEAR GUARANTEE

Quantity (packing) 1 pc
Quantity (pallet) – pcs
Material stainless steel AISI 316, DIN 1.4401

AP2

Swimming pool overflow grating without anti-slip surface

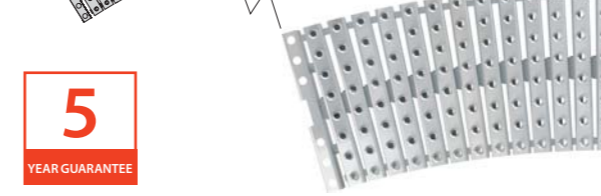
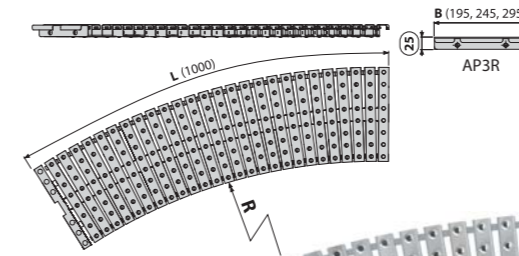


5
YEAR GUARANTEE

Quantity (packing) 1 pc
Quantity (pallet) – pcs
Material stainless steel AISI 316, DIN 1.4401

AP3R

Swimming pool overflow radius grating with anti-slip surface

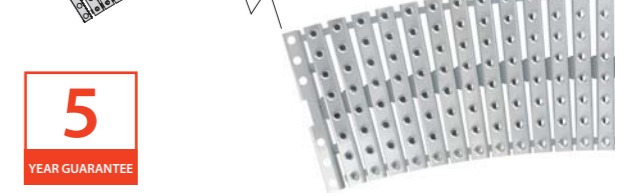
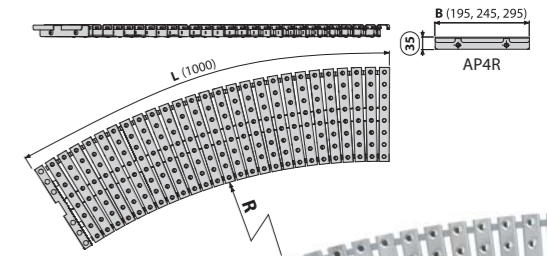


5
YEAR GUARANTEE

Quantity (packing) 1 pc
Quantity (pallet) – pcs
Material stainless steel AISI 316, DIN 1.4401

AP4R

Swimming pool overflow radius grating with anti-slip surface

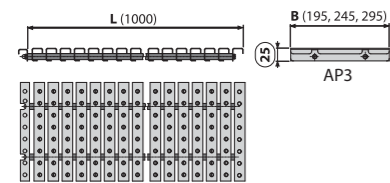


5
YEAR GUARANTEE

Quantity (packing) 1 pc
Quantity (pallet) – pcs
Material stainless steel AISI 316, DIN 1.4401

AP3

Swimming pool overflow grating with anti-slip surface

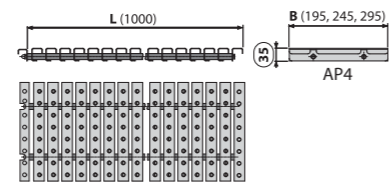


5
YEAR GUARANTEE

Quantity (packing) 1 pc
Quantity (pallet) – pcs
Material stainless steel AISI 316, DIN 1.4401

AP4

Swimming pool overflow grating with anti-slip surface



5
YEAR GUARANTEE

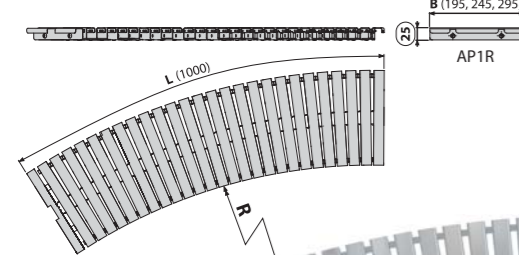
Quantity (packing) 1 pc
Quantity (pallet) – pcs
Material stainless steel AISI 316, DIN 1.4401

Non-standard product solution:

Non-standard sizes and other special solutions can be supplied as an individual project on order (length, shape, placement of the waste and trap, a type of stainless steel, etc.).

AP1R

Swimming pool overflow radius grating without anti-slip surface

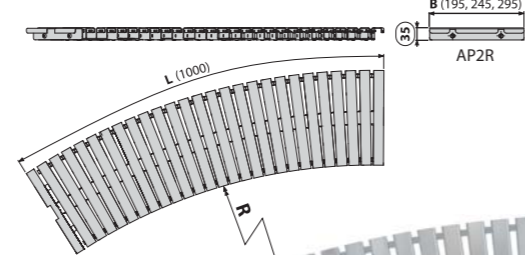


5
YEAR GUARANTEE

Quantity (packing) 1 pc
Quantity (pallet) – pcs
Material stainless steel AISI 316, DIN 1.4401

AP2R

Swimming pool overflow radius grating without anti-slip surface

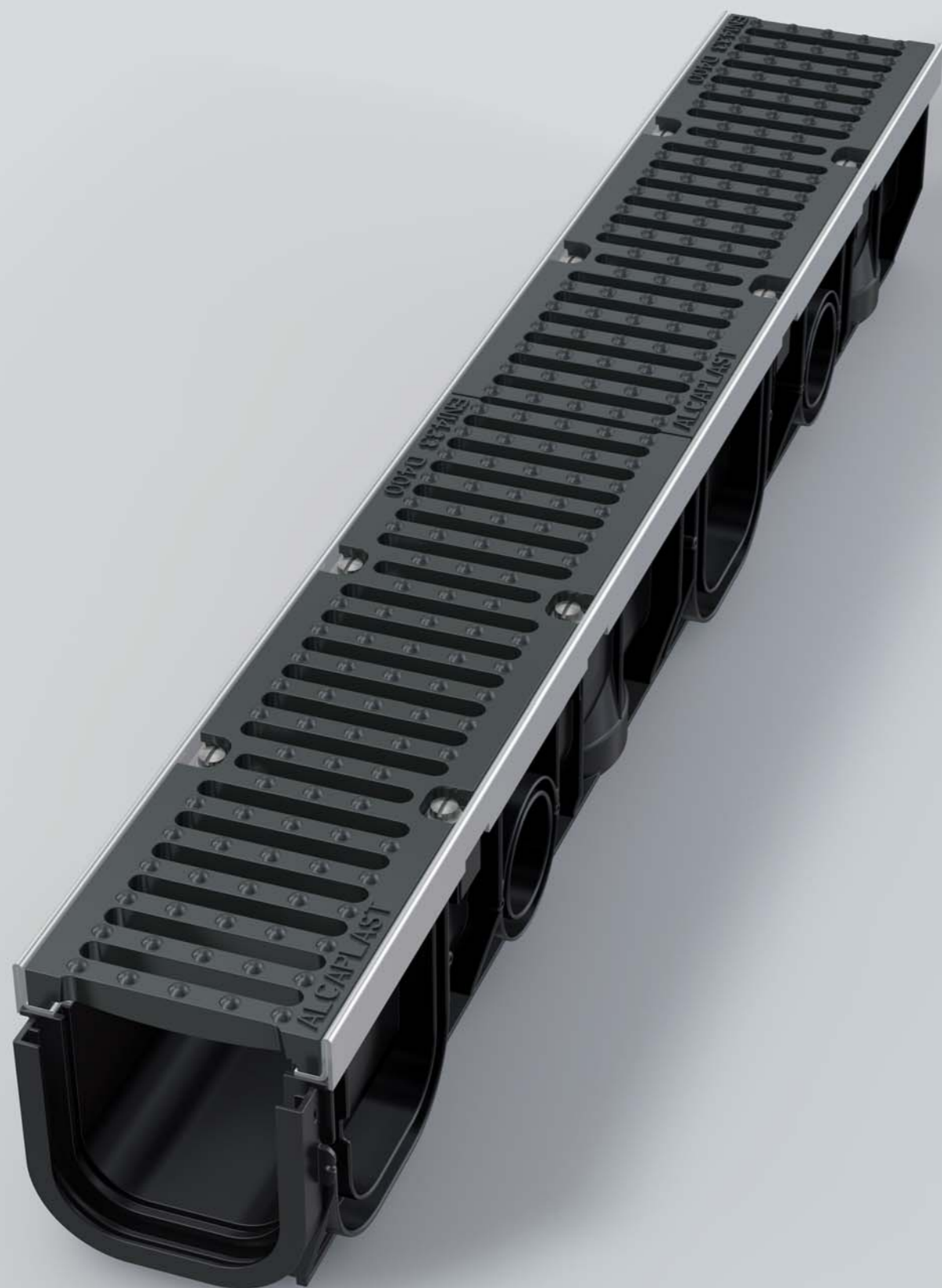


5
YEAR GUARANTEE

Quantity (packing) 1 pc
Quantity (pallet) – pcs
Material stainless steel AISI 316, DIN 1.4401

Outdoor drainage system

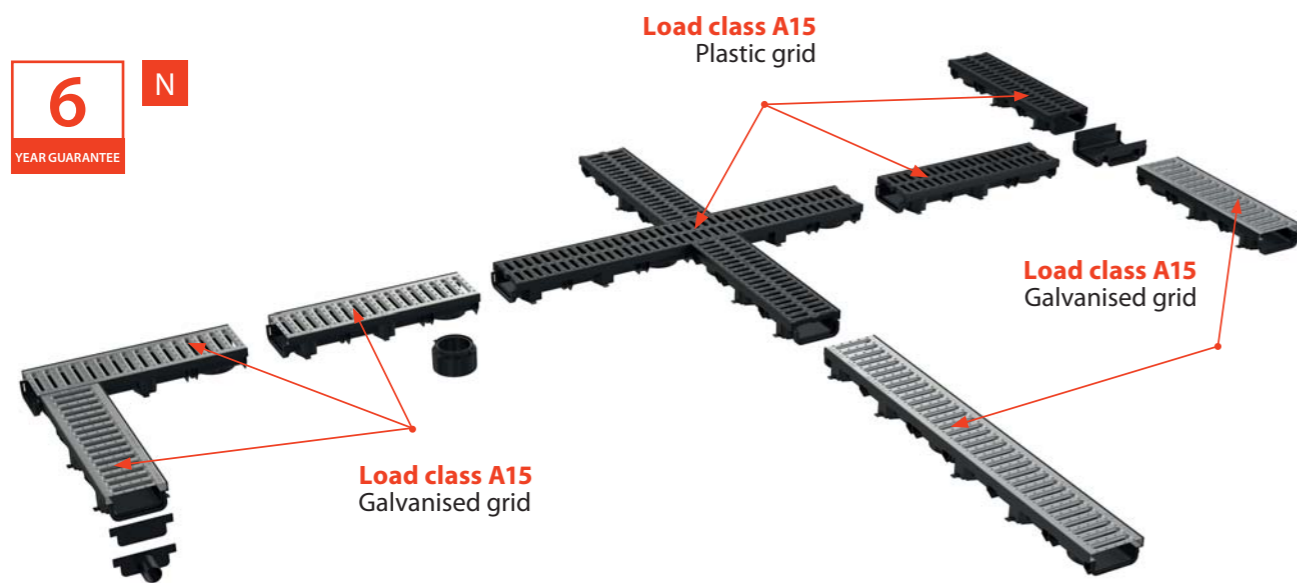
Outdoor drain channels	116
Outdoor drain channels LOW (load class A15)	116
Outdoor drain channels HOME (load class A15)	116
Outdoor drain channels HOME+ (load class A15)	117
Outdoor drain channels STANDARD (load class B125)	118
Outdoor drain channels PROFI (load class C250)	119
Outdoor drain channels TOP (load class D400)	120
Outdoor slotted channels (load class C250)	121
Outdoor drain channels – accessories	125
Universal rain drums	127
Universal rain drums – accessories	128



Low profile outdoor drainage system (height 60 mm)



- Modular system
- Lock-in mechanism
- Two types of cover gratings
- Hidden drain connectors



ACCESSORIES



AVZ-P018
Water stopper to cover the inlet DN40



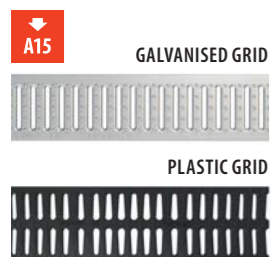
AVZ-P017
End cap to close the drain channel



AVZ-P016
Socket for connection to the waste pipe DN110



AVZ-P015
Connecting piece of outdoor drain channel AVZ112



Easy removal of knockout holes for outlet connection

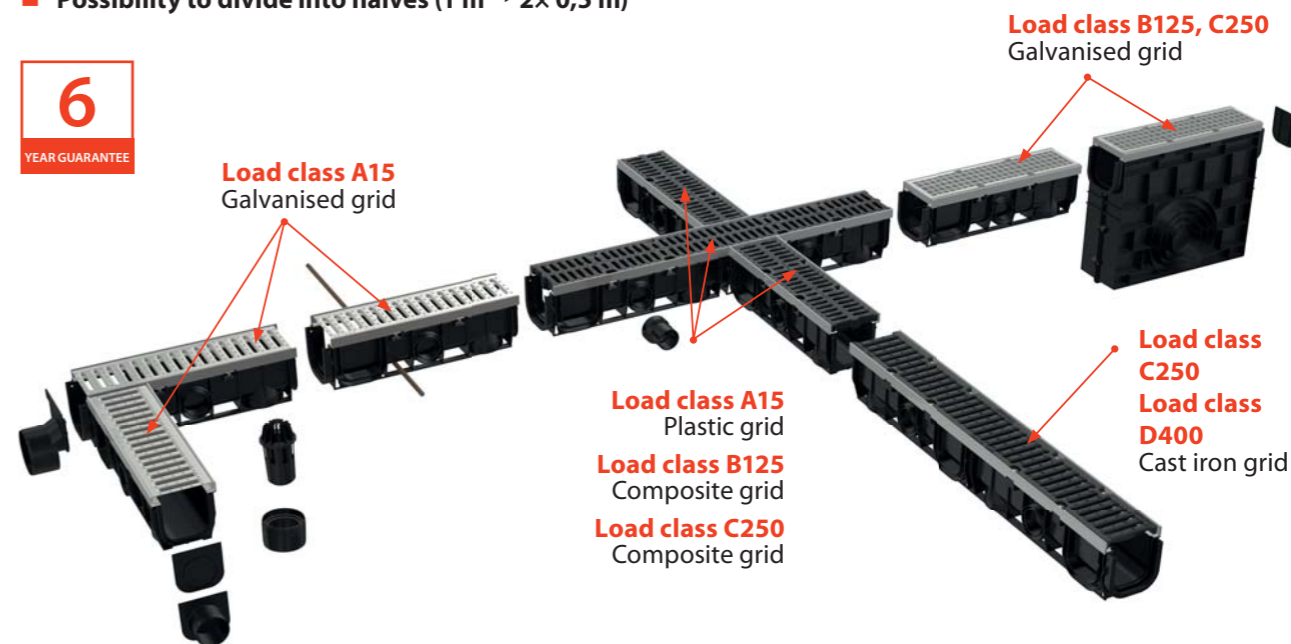
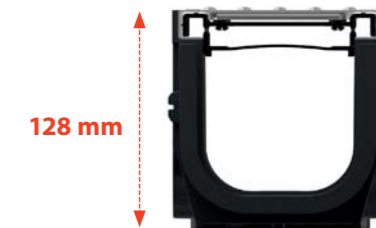


Invisible connector for the creation of "L", "T" and "X" shapes

Professional outdoor drainage systems



- Modular system
- Lock-in mechanism
- Knockout holes for easy outlet connection
- Optional insertion of locking bars
- Possibility to divide into halves (1 m → 2 × 0,5 m)



ACCESSORIES



AVZ-P010
Side end cap with connection to the waste pipe DN110



AVZ-P004
End cap to close the drain channel with a socket for inlet DN75



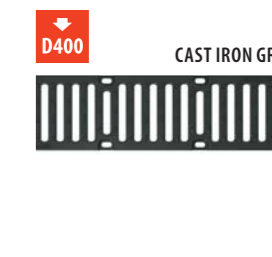
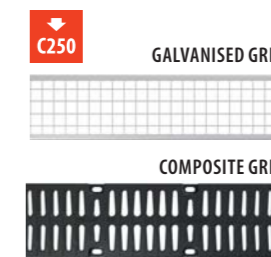
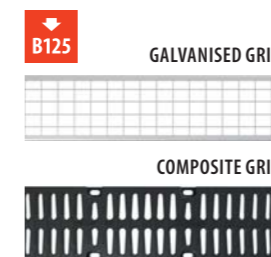
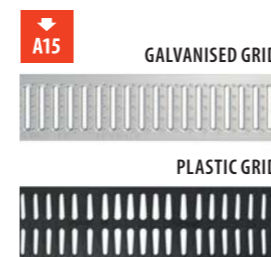
AVZ-P001
Socket for connection to the waste pipe DN110



AVZ-P003
Adapter for connection to a side inlet DN50



AVZ-P007
Odour trap for outdoor drains



AVZ112-R102

Outdoor drain channel 60 mm with plastic frame and galvanized "C" profile grid A15



Quantity (packing)	1 pc
Quantity (pallet)	60 pcs
Material	polypropylene filled with talc

AVZ112-R501

Outdoor drain channel 60 mm with plastic frame and plastic grid A15



Quantity (packing)	1 pc
Quantity (pallet)	24 pcs
Material	polypropylene filled with talc

AVZ102-R102

Outdoor drain channel 100 mm with plastic frame and galvanized "C" profile grid A15



Quantity (packing)	1 pc
Quantity (pallet)	60 pcs
Material	polypropylene filled with talc

AVZ102R-R102S

Outdoor drain box for AVZ102 with plastic frame and galvanized "C" profile grid A15



Quantity (packing)	1 pc
Quantity (pallet)	24 pcs
Material	polypropylene filled with talc

AVZ101-R101

Outdoor drain channel 100 mm without frame with galvanized "T" profile grid A15



Quantity (packing)	1 pc
Quantity (pallet)	60 pcs
Material	polypropylene filled with talc

AVZ101R-R101S

Outdoor drain box for AVZ101 without frame with galvanized "T" profile grid A15



Quantity (packing)	1 pc
Quantity (pallet)	24 pcs
Material	polypropylene filled with talc

AVZ104-R401

Outdoor drain channel 100 mm with plastic frame and plastic grid A15



Quantity (packing)	1 pc
Quantity (pallet)	60 pcs
Material	polypropylene filled with talc

AVZ104R-R401

Outdoor drain box for AVZ104 with plastic frame and plastic grid A15



Quantity (packing)	1 pc
Quantity (pallet)	24 pcs
Material	polypropylene filled with talc

AVZ104-R402

Outdoor drain channel 100 mm with plastic frame and composite grid B125



STANDARD **B125**

Quantity (packing)	1 pc
Quantity (pallet)	60 pcs
Material	polypropylene filled with talc

AVZ104R-R402

Outdoor drain box for AVZ104 with plastic frame and composite grid B125



STANDARD **B125**

Quantity (packing)	1 pc
Quantity (pallet)	24 pcs
Material	polypropylene filled with talc

AVZ103-R403

Outdoor drain channel 100 mm with metal frame and composite grid C250



PROFI **C250**

Quantity (packing)	1 pc
Quantity (pallet)	60 pcs
Material	polypropylene filled with talc

AVZ103R-R403

Outdoor drain box for AVZ103 with metal frame and composite grid C250



PROFI **C250**

Quantity (packing)	1 pc
Quantity (pallet)	24 pcs
Material	polypropylene filled with talc

AVZ102-R103

Outdoor drain channel 100 mm with plastic frame and galvanized grid B125



STANDARD **B125**

Quantity (packing)	1 pc
Quantity (pallet)	60 pcs
Material	polypropylene filled with talc

AVZ102R-R103S

Outdoor drain box for AVZ102 with plastic frame and galvanized grid B125

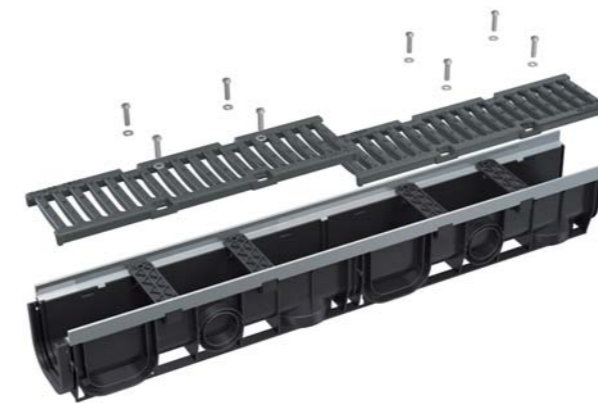


STANDARD **B125**

Quantity (packing)	1 pc
Quantity (pallet)	24 pcs
Material	polypropylene filled with talc

AVZ103-R202

Outdoor drain channel 100 mm with metal frame and cast iron grid C250



PROFI **C250**

Quantity (packing)	1 pc
Quantity (pallet)	30 pcs
Material	polypropylene filled with talc

AVZ103R-R202

Outdoor drain box for AVZ103 with metal frame and cast iron grid C250



PROFI **C250**

Quantity (packing)	1 pc
Quantity (pallet)	24 pcs
Material	polypropylene filled with talc

AVZ103-R104

Outdoor drain channel 100 mm with metal frame and galvanized grid C250



Quantity (packing)	1 pc
Quantity (pallet)	30 pcs
Material	polypropylene filled with talc

AVZ103R-R104S

Outdoor drain box for AVZ103 with metal frame and galvanized grid C250



Quantity (packing)	1 pc
Quantity (pallet)	24 pcs
Material	polypropylene filled with talc

AVZ101-R121

Outdoor slotted channel with asymmetrical extension 100 mm, galvanized steel



Quantity (packing)	1 pc
Quantity (pallet)	30 pcs
Material	polypropylene filled with talc

AVZ101S-R121R

Outdoor slotted channel with asymmetrical access cover 100 mm, galvanized steel



Quantity (packing)	1 pc
Quantity (pallet)	30 pcs
Material	polypropylene filled with talc

AVZ103-R201

Outdoor drain channel 100 mm with metal frame and a cast iron grid D400



Quantity (packing)	1 pc
Quantity (pallet)	30 pcs
Material	polypropylene filled with talc

AVZ103R-R201

Outdoor drain box for AVZ103 with metal frame and cast iron grid D400



Quantity (packing)	1 pc
Quantity (pallet)	24 pcs
Material	polypropylene filled with talc

AVZ101R-R121R

Outdoor slotted drain box with asymmetrical access cover 100 mm, galvanized steel



Quantity (packing)	1 pc
Quantity (pallet)	30 pcs
Material	polypropylene filled with talc

AVZ101R-R321R

Outdoor slotted drain box with asymmetrical access cover 100 mm, stainless steel

AVZ101-R122

Outdoor slotted channel with asymmetrical extension 160 mm, galvanized steel

AVZ101-R322

Outdoor slotted channel with asymmetrical extension 160 mm, stainless steel



Quantity (packing)	1 pc
Quantity (pallet)	30 pcs
Material	polypropylene filled with talc

AVZ101S-R122R

Outdoor slotted channel with asymmetrical access cover 160 mm, galvanized steel

AVZ101S-R322R

Outdoor slotted channel with asymmetrical access cover 160 mm, stainless steel



Quantity (packing)	1 pc
Quantity (pallet)	30 pcs
Material	polypropylene filled with talc

AVZ101-R123

Outdoor slotted channel with symmetrical extension 100 mm, galvanized steel

AVZ101-R323

Outdoor slotted channel with symmetrical extension 100 mm, stainless steel



Quantity (packing)	1 pc
Quantity (pallet)	30 pcs
Material	polypropylene filled with talc

AVZ101S-R123R

Outdoor slotted channel with symmetrical access cover 100 mm, galvanized steel

AVZ101S-R323R

Outdoor slotted channel with symmetrical access cover 100 mm, stainless steel



Quantity (packing)	1 pc
Quantity (pallet)	30 pcs
Material	polypropylene filled with talc

AVZ101R-R122R

Outdoor slotted drain box with asymmetrical access cover 160 mm, galvanized steel

AVZ101R-R322R

Outdoor slotted drain box with asymmetrical access cover 160 mm, stainless steel



Quantity (packing)	1 pc
Quantity (pallet)	30 pcs
Material	polypropylene filled with talc

AVZ101R-R123R

Outdoor slotted drain box with symmetrical access cover 100 mm, galvanized steel

AVZ101R-R323R

Outdoor slotted drain box with symmetrical access cover 100 mm, stainless steel



Quantity (packing)	1 pc
Quantity (pallet)	30 pcs
Material	polypropylene filled with talc

AVZ101-R124

Outdoor slotted channel with symmetrical extension 160 mm, galvanized steel

AVZ101-R324

Outdoor slotted channel with symmetrical extension 160 mm, stainless steel



Quantity (packing)	1 pc
Quantity (pallet)	30 pcs
Material	polypropylene filled with talc

AVZ101S-R124R

Outdoor slotted channel with symmetrical access cover 160 mm, galvanized steel

AVZ101S-R324R

Outdoor slotted channel with symmetrical access cover 160 mm, stainless steel



Quantity (packing)	1 pc
Quantity (pallet)	30 pcs
Material	polypropylene filled with talc

AVZ101R-R124R

Outdoor slotted drain box with symmetrical access cover 160 mm, galvanized steel

AVZ101R-R324R

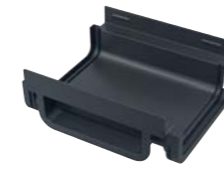
Outdoor slotted drain box with symmetrical access cover 160 mm, stainless steel



Quantity (packing)	1 pc
Quantity (pallet)	30 pcs
Material	polypropylene filled with talc

AVZ-P015

Connecting piece of outdoor drain channel AVZ112



Quantity (packing)	50 pcs
Quantity (pallet)	800 pcs
Material	polypropylene filled with talc

AVZ-P016

Socket for connection to the waste pipe DN110



Quantity (packing)	1 pc
Quantity (pallet)	- pcs
Material	polypropylene filled with talc

AVZ-P017

End cap to close the drain channel



Quantity (packing)	50 pcs
Quantity (pallet)	800 pcs
Material	polypropylene filled with talc

AVZ-P018

Water stopper to cover the inlet DN40



Quantity (packing)	50 pcs
Quantity (pallet)	800 pcs
Material	polypropylene filled with talc

AVZ-P001
Socket for connection to the waste pipe DN110



Quantity (packing)	50 pcs
Quantity (pallet)	800 pcs
Material	polypropylene filled with talc

AVZ-P002
Drain lock AVZ102-R102



Quantity (packing)	1 pc
Quantity (pallet)	- pcs
Material	polypropylene filled with talc

AVZ-P003
Adapter for connection to a side inlet DN50



Quantity (packing)	50 pcs
Quantity (pallet)	800 pcs
Material	polypropylene filled with talc

AVZ-P004
End cap to close the drain channel with a socket for inlet DN75



Quantity (packing)	50 pcs
Quantity (pallet)	800 pcs
Material	polypropylene filled with talc

AVZ-P008
Hook for removing the grid



Quantity (packing)	1 pc
Quantity (pallet)	- pcs
Material	galvanized metal

AVZ-P009
End cap to close the drain channel



Quantity (packing)	100 pcs
Quantity (pallet)	1600 pcs
Material	polypropylene filled with talc

AVZ-P010
Side end cap with connection to the waste pipe DN110



Quantity (packing)	30 pcs
Quantity (pallet)	- pcs
Material	polypropylene filled with talc

AVZ-P012
Basket for catching dirt large, stainless steel



Quantity (packing)	1 pc
Quantity (pallet)	24 pcs
Material	stainless steel

AVZ-P013
Basket for catching dirt large, galvanized steel



Quantity (packing)	1 pc
Quantity (pallet)	24 pcs
Material	galvanized metal

AGV1
Rain drum 300x155/110 mm straight outlet, black



Quantity (packing)	5 pcs
Quantity (pallet)	80 pcs
Material	polypropylene enriched with glass fiber

AGV1S
Rain drum 300x155/110 mm straight outlet, grey



Quantity (packing)	5 pcs
Quantity (pallet)	80 pcs
Material	polypropylene enriched with glass fiber

AGV2
Rain drum 300x155/125 mm straight outlet, black



Quantity (packing)	5 pcs
Quantity (pallet)	80 pcs
Material	polypropylene enriched with glass fiber

AGV2S
Rain drum 300x155/125 mm straight outlet, grey



Quantity (packing)	5 pcs
Quantity (pallet)	80 pcs
Material	polypropylene enriched with glass fiber

AGV3
Rain drum 300x155/110 mm side outlet, black



Quantity (packing)	4 pcs
Quantity (pallet)	120 pcs
Material	polypropylene enriched with glass fiber

AGV3S
Rain drum 300x155/110 mm side outlet, grey



Quantity (packing)	4 pcs
Quantity (pallet)	120 pcs
Material	polypropylene enriched with glass fiber

AGV4
Rain drum 300x155/125/110 mm straight outlet, black



Quantity (packing)	4 pcs
Quantity (pallet)	60 pcs
Material	polypropylene enriched with glass fiber

AGV4S
Rain drum 300x155/125/110 mm straight outlet, grey



Quantity (packing)	4 pcs
Quantity (pallet)	60 pcs
Material	polypropylene enriched with glass fiber

AGV911
Universal downpipe entry cover, black



Quantity (packing)	1 pc
Quantity (pallet)	- pcs
Material	polypropylene enriched with glass fiber

AGV911S

Universal downpipe entry cover, grey



Quantity (packing)	1 pc
Quantity (pallet)	– pcs
Material	polypropylene enriched with glass fiber

AGV941

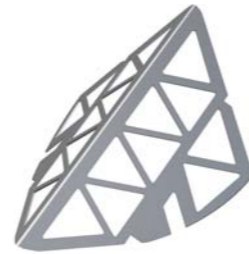
Stainless steel basket



Quantity (packing)	70 pcs
Quantity (pallet)	1120 pcs
Material	stainless steel

AGV942

Stainless steel side grid



Quantity (packing)	100 pcs
Quantity (pallet)	2800 pcs
Material	stainless steel

LOCK

- The lock prevents unintentional opening of the lid, overflow of water during heavy rains
- Prevents the access of children at play
- If necessary, it is possible to remove the lock from the rain drum



INLET RINGS

- They are part of each package
- Diameters 80, 90, 100, 110, 125 mm
- They allow the connection of all types of roof gutters and downspouts

BASKET FOR LEAVES AND DIRT

- Captures coarse material (mainly leaves) and prevents clogging of sewer pipes
- The narrow bottom with ribs allows a gradual fall through of rotting leaves into sewerage
- Basket can be easily removed for cleaning

FLAP

- Frost-free odour trap – limits the transmission of gas from canalization
- Prevents the passage of rodents from the waste
- Closes under its own weight and is secured against flooding
- Restrict splashing water from the rain drum when removing the lock case

MATERIAL

- PP enriched with glass fiber
- Resistant to mechanical and thermal damage
- UV stable – resistant to plastic degradation and fading
- In black or grey colours



CONSTRUCTION

- Resistant to deformation during assembly and to the load (class K3 – bearing capacity of 300 kg)
- Ribbing ensures stability on the spot
- Steeper gradient of the rain drum body enables a faster and bigger water flow towards the sewer
- Flow rate 390 l/min.
- Diameter of 110 mm, 125 or 125/110 mm

Floor drains



Stainless steel floor drains	132
Floor drains with design grids	133
Floor drains with stainless steel grids	134
Floor drains with plastic grids	137
Floor drains – accessories	139
Waterproofing foil	140

APV110

Floor drain stainless steel extra-low 130x130 mm side outlet, without grid, wet odour trap



Flow rate	40 l/min
Material	stainless steel
Quantity (packing)	6 pcs
Quantity (pallet)	120 pcs

APV120

Floor drain stainless steel low 130x130 mm side outlet, without grid, wet odour trap



Flow rate	50 l/min
Material	stainless steel
Quantity (packing)	1 pcs
Quantity (pallet)	120 pcs

APV130

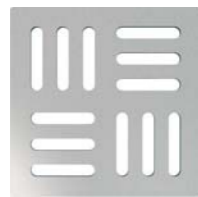
Floor drain stainless steel 130x130 mm side outlet, without grid, wet odour trap



Flow rate	58 l/min
Material	stainless steel
Quantity (packing)	1 pcs
Quantity (pallet)	120 pcs

MPV011

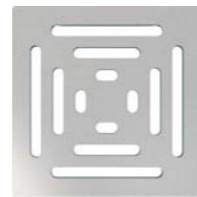
Grid for stainless steel floor drains 102x102 mm stainless steel



Material	stainless steel
Quantity (packing)	1 pcs
Quantity (pallet)	- pcs

MPV012

Grid for stainless steel floor drains 102x102 mm stainless steel



Material	stainless steel
Quantity (packing)	1 pcs
Quantity (pallet)	- pcs

MPV013

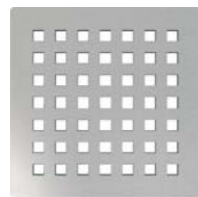
Grid for stainless steel floor drains 92x92 mm stainless steel



Material	stainless steel
Quantity (packing)	1 pcs
Quantity (pallet)	- pcs

MPV014

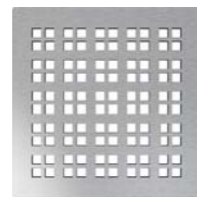
Grid for stainless steel floor drains 102x102 mm stainless steel



Material	stainless steel
Quantity (packing)	1 pcs
Quantity (pallet)	- pcs

MPV015

Grid for stainless steel floor drains 102x102 mm stainless steel



Material	stainless steel
Quantity (packing)	1 pcs
Quantity (pallet)	- pcs

MPV016

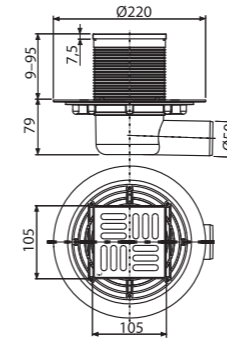
Grid for stainless steel floor drains 92x92 mm for embedding tiles



Material	stainless steel
Quantity (packing)	1 pcs
Quantity (pallet)	- pcs

APV101

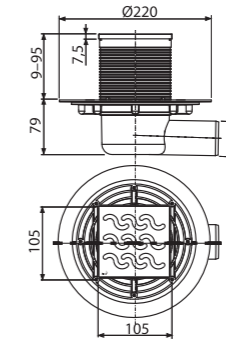
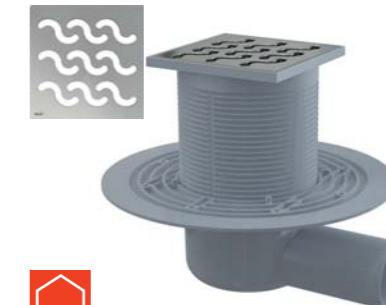
Floor drain 105x105/50 mm side outlet, stainless steel grid, wet odour trap



Flow rate	46 l/min
Material	polypropylene
Quantity (packing)	8 pcs
Quantity (pallet)	160 pcs

APV102

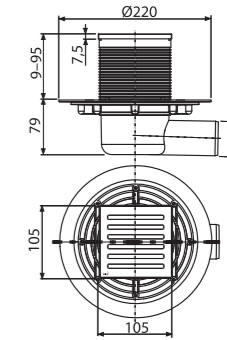
Floor drain 105x105/50 mm side outlet, stainless steel grid, wet odour trap



Flow rate	46 l/min
Material	polypropylene
Quantity (packing)	8 pcs
Quantity (pallet)	160 pcs

APV103

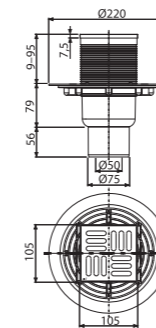
Floor drain 105x105/50 mm side outlet, stainless steel grid, wet odour trap



Flow rate	46 l/min
Material	polypropylene
Quantity (packing)	8 pcs
Quantity (pallet)	160 pcs

APV201

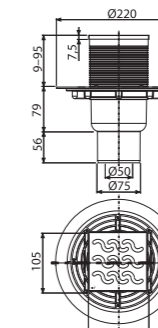
Floor drain 105x105/50/75 mm straight outlet, stainless steel grid, wet odour trap



Flow rate	46 l/min
Material	polypropylene
Quantity (packing)	8 pcs
Quantity (pallet)	160 pcs

APV202

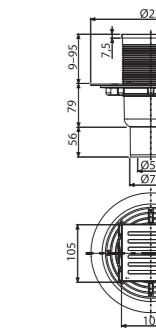
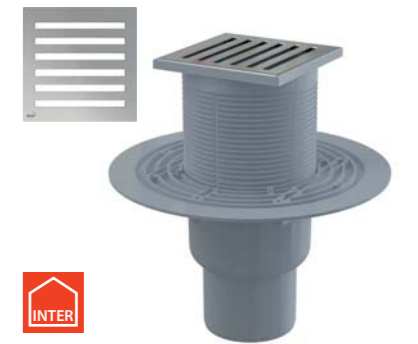
Floor drain 105x105/50/75 mm straight outlet, stainless steel grid, wet odour trap



Flow rate	44 l/min
Material	polypropylene
Quantity (packing)	8 pcs
Quantity (pallet)	160 pcs

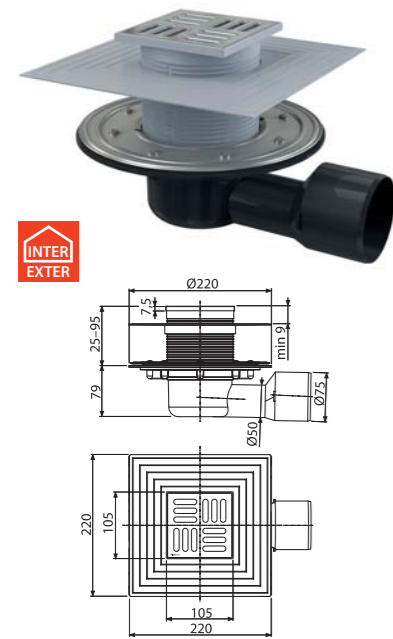
APV203

Floor drain 105x105/50/75 mm straight outlet, stainless steel grid, wet odour trap



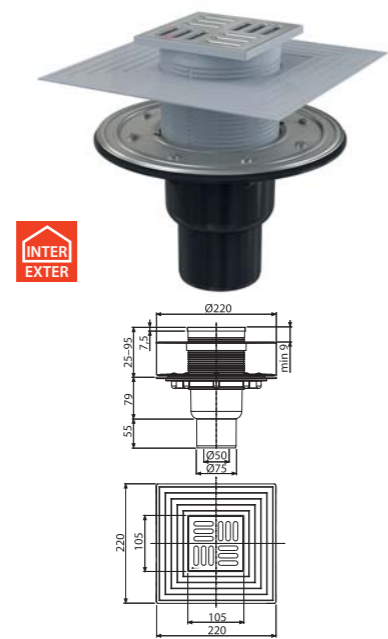
Flow rate	46 l/min
Material	polypropylene
Quantity (packing)	8 pcs
Quantity (pallet)	160 pcs

APV3344
Floor drain 105x105/50/75 mm side outlet, stainless steel grid, stainless steel flange and collar-2nd level insulation, wet and dry odour trap



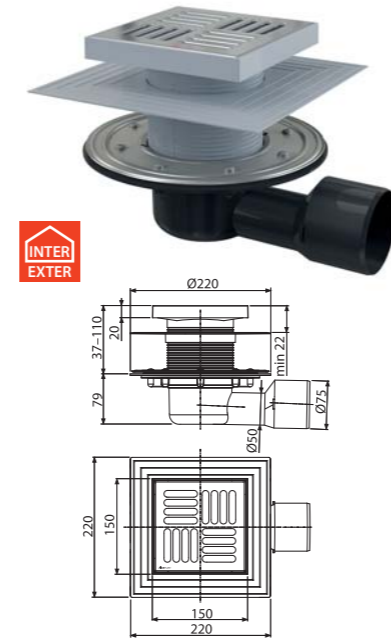
Flow rate	46/62 l/min
Material	polypropylene
Quantity (packing)	8 pcs
Quantity (pallet)	128 pcs

APV4344
Floor drain 105x105/50/75 mm straight outlet, stainless steel grid, stainless steel flange and collar-2nd level insulation, wet and dry odour trap



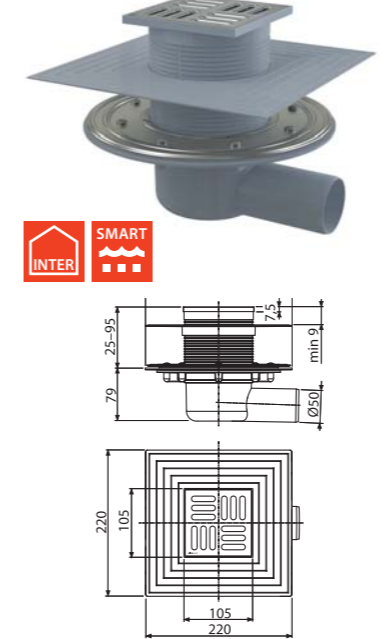
Flow rate	46/62 l/min
Material	polypropylene
Quantity (packing)	8 pcs
Quantity (pallet)	160 pcs

APV3444
Floor drain 150x150/50/75 mm side outlet, stainless steel grid, stainless steel flange and collar-2nd level insulation, wet and dry odour trap



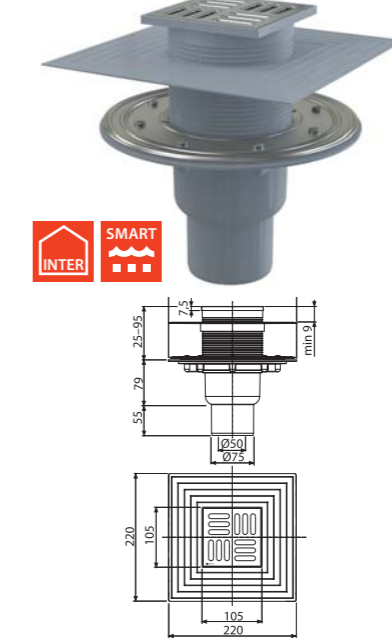
Flow rate	46/62 l/min
Material	polypropylene
Quantity (packing)	8 pcs
Quantity (pallet)	128 pcs

APV1324
Floor drain 105x105/50 mm side outlet, stainless steel grid, stainless steel flange and collar-2nd level insulation, combined odour trap SMART



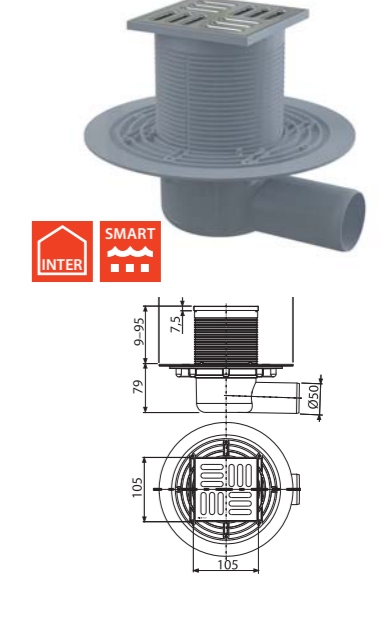
Flow rate	37 l/min
Material	polypropylene
Quantity (packing)	8 pcs
Quantity (pallet)	128 pcs

APV2324
Floor drain 105x105/50/75 mm straight outlet, stainless steel grid, stainless steel flange and collar-2nd level insulation, combined odour trap SMART



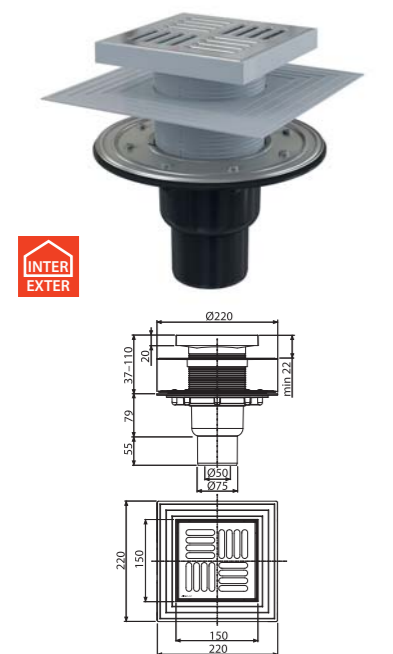
Flow rate	37 l/min
Material	polypropylene
Quantity (packing)	8 pcs
Quantity (pallet)	160 pcs

APV1321
Floor drain 105x105/50 mm side outlet, stainless steel grid, combined odour trap SMART



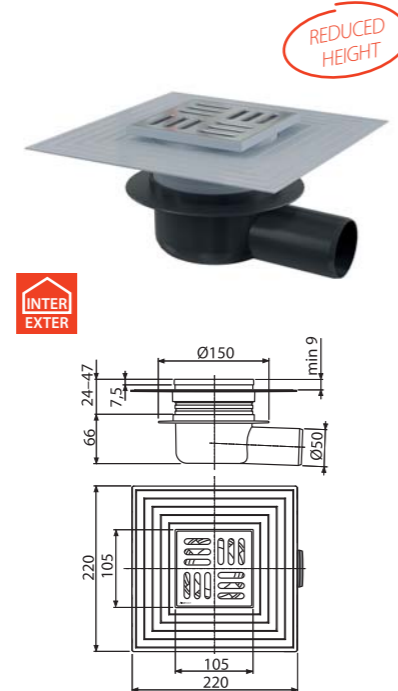
Flow rate	37 l/min
Material	polypropylene
Quantity (packing)	8 pcs
Quantity (pallet)	160 pcs

APV4444
Floor drain 150x150/50/75 mm straight outlet, stainless steel grid, stainless steel flange and collar-2nd level insulation, wet and dry odour trap



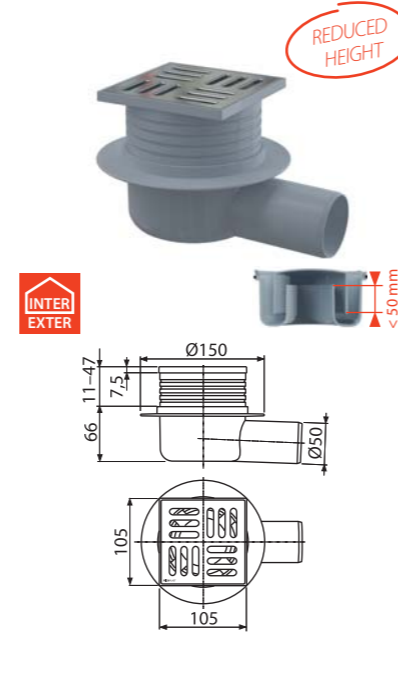
Flow rate	46/62 l/min
Material	polypropylene
Quantity (packing)	8 pcs
Quantity (pallet)	160 pcs

APV26C
Floor drain 105x105/50 mm side outlet, stainless steel grid, collar-2nd level insulation, dry odour trap



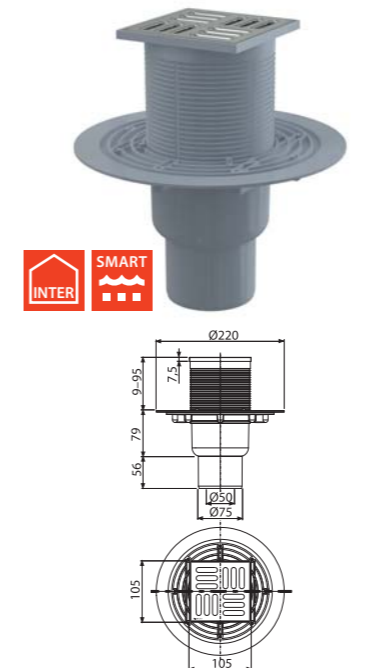
Flow rate	62 l/min
Material	ABS, polypropylene
Quantity (packing)	8 pcs
Quantity (pallet)	160 pcs

APV26
Floor drain 105x105/50 mm side outlet, stainless steel grid, wet odour trap



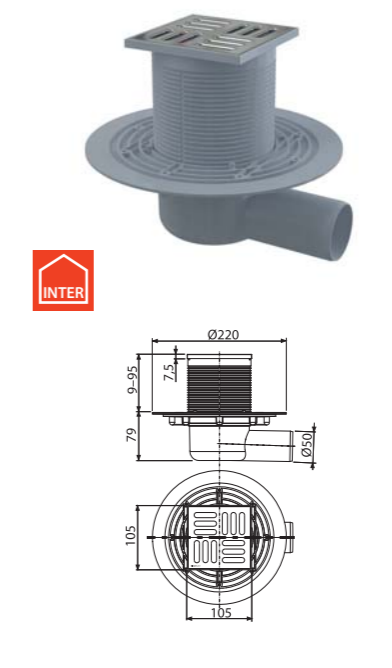
Flow rate	32 l/min
Material	ABS, polypropylene
Quantity (packing)	25 pcs
Quantity (pallet)	400 pcs

APV2321
Floor drain 105x105/50/75 mm straight outlet, stainless steel grid, combined odour trap SMART



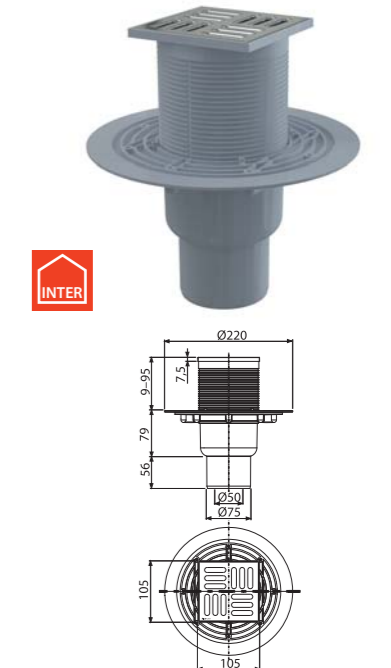
Flow rate	37 l/min
Material	polypropylene
Quantity (packing)	8 pcs
Quantity (pallet)	160 pcs

APV1311
Floor drain 105x105/50 mm side outlet, stainless steel grid, wet odour trap



Flow rate	46 l/min
Material	polypropylene
Quantity (packing)	8 pcs
Quantity (pallet)	160 pcs

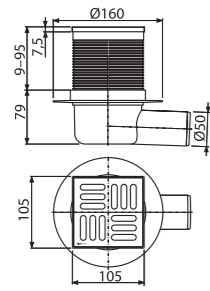
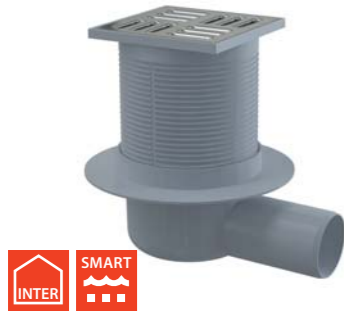
APV2311
Floor drain 105x105/50/75 mm straight outlet, stainless steel grid, wet odour trap



Flow rate	46 l/min
Material	polypropylene
Quantity (packing)	8 pcs
Quantity (pallet)	160 pcs

APV31

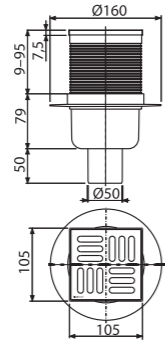
Floor drain 105x105/50 mm side outlet, stainless steel grid, combined odour trap SMART



Flow rate	37 l/min
Material	ABS, polypropylene
Quantity (packing)	20 pcs
Quantity (pallet)	320 pcs

APV32

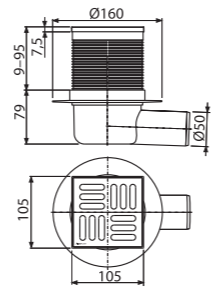
Floor drain 105x105/50 mm straight outlet, stainless steel grid, combined odour trap SMART



Flow rate	37 l/min
Material	ABS, polypropylene
Quantity (packing)	20 pcs
Quantity (pallet)	320 pcs

APV1

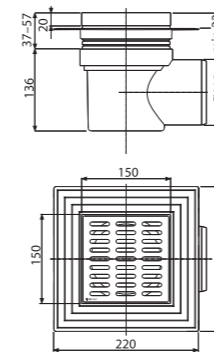
Floor drain 105x105/50 mm side outlet, stainless steel grid, wet odour trap



Flow rate	46 l/min
Material	ABS, polypropylene
Quantity (packing)	20 pcs
Quantity (pallet)	320 pcs

APV12

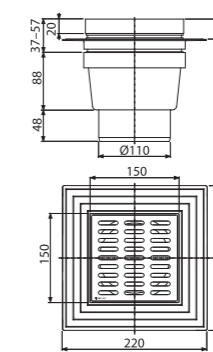
Floor drain 150x150/110 mm side outlet, stainless steel grid, collar-2nd level insulation, wet odour trap



Flow rate	89 l/min
Material	polypropylene
Quantity (packing)	8 pcs
Quantity (pallet)	160 pcs

APV13

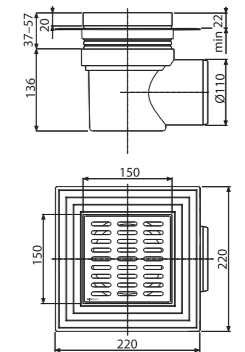
Floor drain 150x150/110 mm straight outlet, stainless steel grid, collar-2nd level insulation, wet odour trap



Flow rate	89 l/min
Material	polypropylene
Quantity (packing)	8 pcs
Quantity (pallet)	160 pcs

APV10

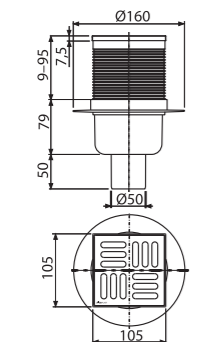
Floor drain 150x150/110 mm side outlet, grey grid, collar-2nd level insulation, wet odour trap



Flow rate	80 l/min
Material	polypropylene
Quantity (packing)	8 pcs
Quantity (pallet)	160 pcs

APV2

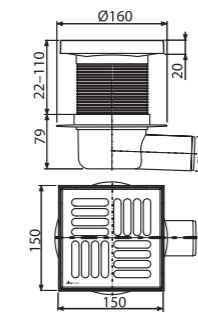
Floor drain 105x105/50 mm straight outlet, stainless steel grid, wet odour trap



Flow rate	46 l/min
Material	ABS, polypropylene
Quantity (packing)	20 pcs
Quantity (pallet)	320 pcs

APV5411

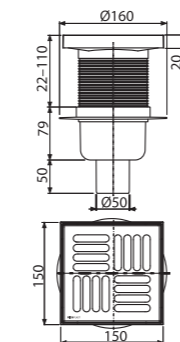
Floor drain 150x150/50 mm side outlet, stainless steel grid, wet odour trap



Flow rate	46 l/min
Material	ABS, polypropylene
Quantity (packing)	15 pcs
Quantity (pallet)	240 pcs

APV6411

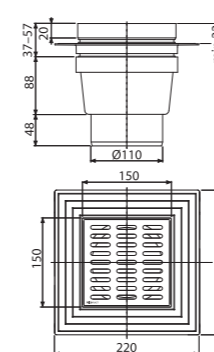
Floor drain 150x150/50 mm straight outlet, stainless steel grid, wet odour trap



Flow rate	46 l/min
Material	ABS, polypropylene
Quantity (packing)	15 pcs
Quantity (pallet)	240 pcs

APV11

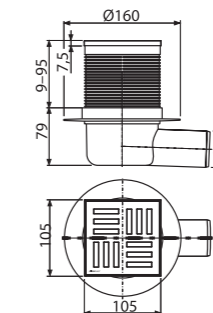
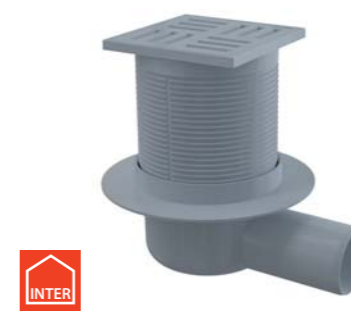
Floor drain 150x150/110 mm straight outlet, grey grid, collar-2nd level insulation, wet odour trap



Flow rate	80 l/min
Material	ABS, polypropylene
Quantity (packing)	8 pcs
Quantity (pallet)	160 pcs

APV5111

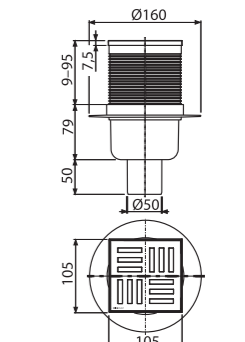
Floor drain 105x105/50 mm side outlet, grey grid, wet odour trap



Flow rate	46 l/min
Material	ABS, polypropylene
Quantity (packing)	20 pcs
Quantity (pallet)	320 pcs

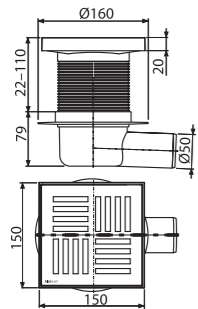
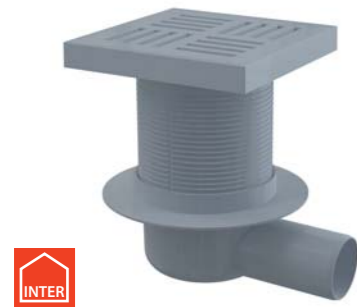
APV6111

Floor drain 105x105/50 mm straight outlet, grey grid, wet odour trap



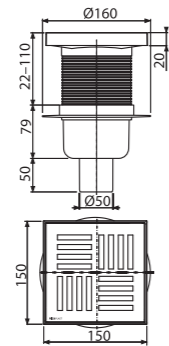
Flow rate	46 l/min
Material	ABS, polypropylene
Quantity (packing)	20 pcs
Quantity (pallet)	320 pcs

APV5211
Floor drain 150x150/50 mm side outlet, grey grid, wet odour trap



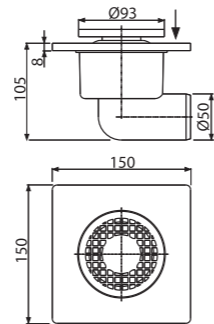
Flow rate	46 l/min
Material	ABS, polypropylene
Quantity (packing)	15 pcs
Quantity (pallet)	240 pcs

APV6211
Floor drain 150x150/50 mm straight outlet, grey grid, wet odour trap



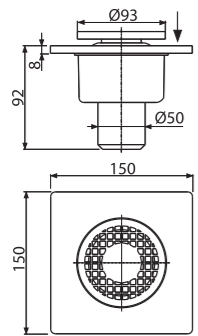
Flow rate	46 l/min
Material	ABS, polypropylene
Quantity (packing)	15 pcs
Quantity (pallet)	240 pcs

APV3
Floor drain 150x150/50 mm side outlet, grey grid, wet odour trap



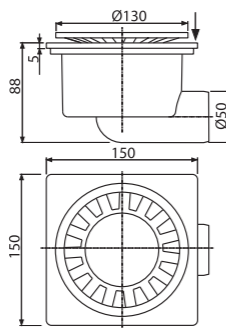
Flow rate	24 l/min
Material	polypropylene
Quantity (packing)	50 pcs
Quantity (pallet)	600 pcs

APV4
Floor drain 150x150/50 mm straight outlet, grey grid, wet odour trap



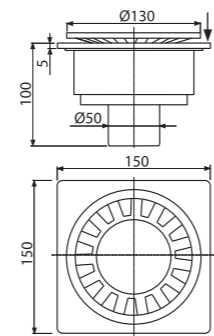
Flow rate	24 l/min
Material	polypropylene
Quantity (packing)	50 pcs
Quantity (pallet)	600 pcs

APV15
Floor drain 150x150/50 mm side outlet, white grid, wet odour trap



Flow rate	24 l/min
Material	ABS
Quantity (packing)	20 pcs
Quantity (pallet)	320 pcs

APV16
Floor drain 150x150/50 mm straight outlet, white grid, wet odour trap



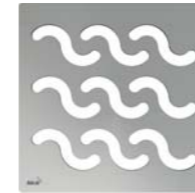
Flow rate	24 l/min
Material	ABS
Quantity (packing)	20 pcs
Quantity (pallet)	320 pcs

APV006
Stainless steel flange seal



Material	rubber (NBR)
Quantity (packing)	-
Quantity (pallet)	-

MPV002
Design grid 102x102 mm stainless steel



Material	stainless steel
Quantity (packing)	-
Quantity (pallet)	-

APV0010
Wet odour trap



Flow rate	46 l/min
Material	polypropylene
Quantity (packing)	50 pcs
Quantity (pallet)	1400 pcs

MPV001
Design grid 102x102 mm stainless steel



Material	stainless steel
Quantity (packing)	-
Quantity (pallet)	-

MPV003
Design grid 102x102 mm stainless steel



Material	stainless steel
Quantity (packing)	-
Quantity (pallet)	-

APV0020
Combined odour trap SMART



Flow rate	37 l/min
Material	polypropylene
Quantity (packing)	50 pcs
Quantity (pallet)	1400 pcs

MPV001-ANTIC
Design grid 102x102 mm bronze-antic



Material	brass with bronze-antic finish
Quantity (packing)	-
Quantity (pallet)	-

MPV004
Grid 102x102 mm stainless steel



Material	stainless steel
Quantity (packing)	-
Quantity (pallet)	-

APV0030
Dry odour trap



Flow rate	57-62 l/min
Material	polypropylene
Quantity (packing)	60 pcs
Quantity (pallet)	1680 pcs

APV0050
Wet odour trap for APV26, APV26C



Flow rate 32 l/min
Quantity (packing) 50 pcs
Quantity (pallet) 1400 pcs
Material polypropylene

APV0060
Dry odour trap for APV26, APV26C



Flow rate 62 l/min
Quantity (packing) 50 pcs
Quantity (pallet) 1400 pcs
Material polypropylene

APV0800
Drain throat extension neck DN105



Quantity (packing) -
Quantity (pallet) -
Material polypropylene

P143
Combined odour trap SMART for APZ-S6



Quantity (packing) 1 pc
Quantity (pallet) - pcs

P144
Combined odour trap SMART for APZ-S9



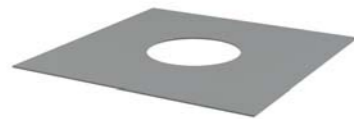
Quantity (packing) 1 pc
Quantity (pallet) - pcs

P145
Combined odour trap SMART for APZ-S12



Quantity (packing) 1 pc
Quantity (pallet) - pcs

AIZ1
Self-adhesive waterproof membrane for a floor drain 300×300 mm



Quantity (packing) 50 pcs
Quantity (pallet) 1400 pcs

AIZ3
Waterproof membrane 1300×1300 mm



Quantity (packing) 10 pcs
Quantity (pallet) 160 pcs

COMPATIBILITY OF FLOOR DRAINS WITH ODOUR TRAPS

Type of odour trap	Code	Included in package	Compatibility
wet	APV0010	APV101, APV201, APV102, APV202, APV103, APV203, APV1311, APV2311, APV1, APV2, APV5411, A6411, APV5111, APV6111, APV5211, APV6211, APV3344, APV4344, APV3444, APV4444	APV1324, APV2324, APV1321, APV2321, APV31, APV32
SMART	APV0020	APV1324, APV2324, APV1321, APV2321	APV101, APV201, APV102, APV202, APV103, APV203, APV1311, APV2311, APV1, APV2, APV5411, A6411, APV5111, APV6111, APV5211, APV6211, APV3344, APV4344, APV3444, APV4444, APV1324, APV2324, APV1321, APV2321, APV31, APV32
dry	APV0030	APV1324, APV2324, APV1321, APV2321, APV31, APV32, APV3344, APV4344, APV3444, APV4444	APV101, APV201, APV102, APV202, APV103, APV203, APV1311, APV2311, APV1, APV2, APV5411, A6411, APV5111, APV6111, APV5211, APV6211, APV1324, APV2324, APV1321, APV2321
wet – reduced	APV0050	APV26	APV26C
dry – reduced	APV0060	APV26C	APV26

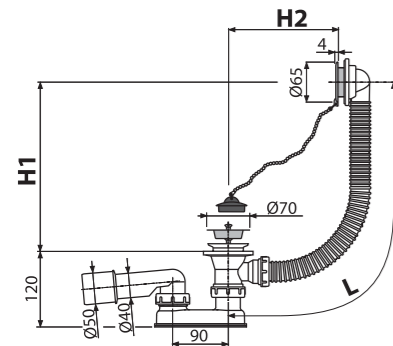


Wastes and traps

Bath wastes and traps	144
Bath waste and traps Basic	144
Bath waste and traps pop-up	144
Bath waste and traps CLICK/CLACK	148
Bath waste and traps with overflow filler	149
Bath waste and traps for whirlpool bathtubs	152
Bath waste and traps – accessories	152
Shower wastes and traps	153
Shower wastes and traps CLICK/CLACK	153
Shower wastes and traps DN50–DN60	154
Shower wastes and traps DN90	156
Reduced height shower tray wastes and traps	157
Wash-basin wastes and traps	158
Wash-basin wastes and traps with outlet	158
Wash-basin wastes and traps with coupling nut	159
Wash-basin wastes and traps – outlets	159
Metal program	160
Wash-basin wastes and traps – CLICK/CLACK outlets	160
Angle valves	163
Wash-basin wastes and traps	165
Sink wastes and traps	168
Sink wastes and traps with outlet	168
Sink wastes and traps with coupling nut	171
Sink wastes and traps – outlets	172
Wash-basin and sink wastes and traps – accessories	173
Urinal and bidet traps	176
Traps for dripping condensation	177
Washing machine traps	178
Washing machine traps – accessories	179

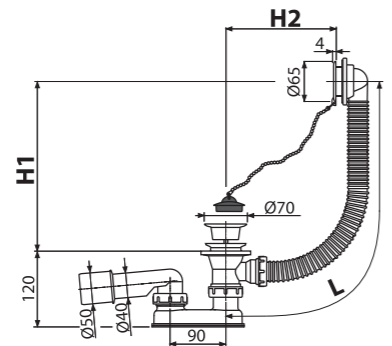
Length variants of bath wastes and traps – page 206

A501
Bath waste and trap, chrome



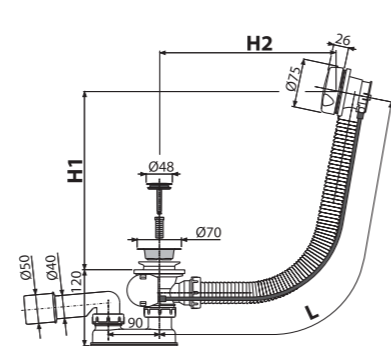
Quantity (packing)	20 pcs
Quantity (pallet)	320 pcs
Material – plug/grid	PVC/plastic

A502
Bath waste and trap, white



Quantity (packing)	20 pcs
Quantity (pallet)	320 pcs
Material – plug/grid	PVC/plastic

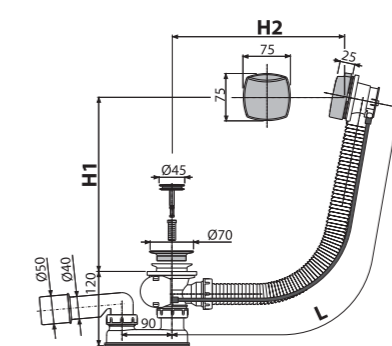
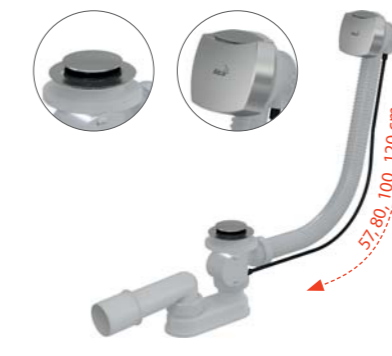
A51B
Bath pop-up waste and trap, white



Quantity (packing)	20 pcs
Quantity (pallet)	320 pcs
Material – plug/control knob	metal/plastic

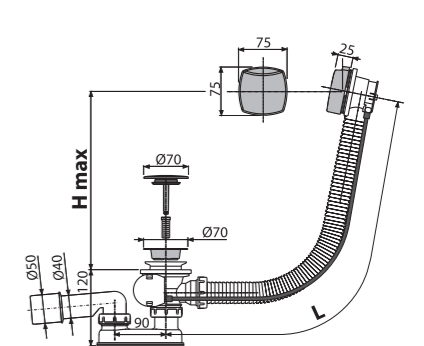


A553K
Bath pop-up waste and trap, metal



Quantity (packing)	20 pcs
Quantity (pallet)	320 pcs
Material – plug/control knob	metal/metal

A553KM1
Bath pop-up waste and trap, metal

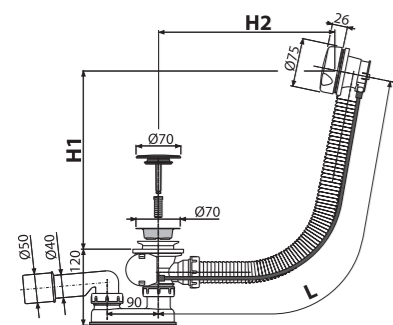


Quantity (packing)	20 pcs
Quantity (pallet)	320 pcs
Material – plug/control knob	plastic/metal

Favourite design of bath waste and trap

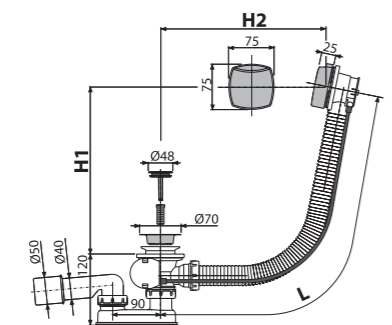
To cover the full range of bath wastes and traps in a modern design with sharp lines, proposed by the famous designer Ing. arch. Ivo Nahálka, we expand the offer by two new models with metal finish. These products complement your favorite models A55K and A55KM.

A51BM
Bath pop-up waste and trap, white



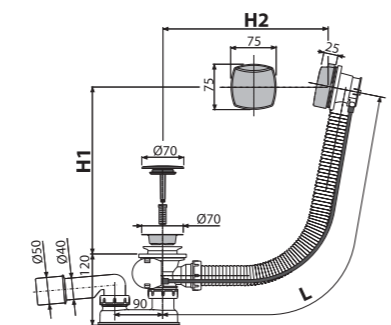
Quantity (packing)	20 pcs
Quantity (pallet)	320 pcs
Material – plug/control knob	plastic/plastic

A51CR
Bath pop-up waste and trap, chrome



Quantity (packing)	20 pcs
Quantity (pallet)	320 pcs
Material – plug/control knob	metal/plastic

A51CRM
Bath pop-up waste and trap, chrome



Quantity (packing)	20 pcs
Quantity (pallet)	320 pcs
Material – plug/control knob	plastic/plastic

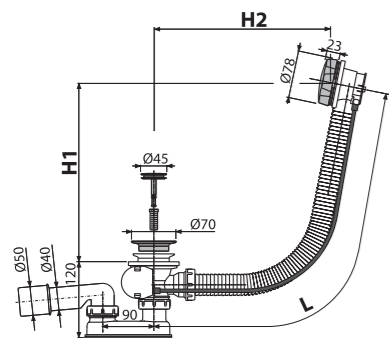


INDULGE
NEW DESIGN

INNOVATION
OF THE
MECHANISM

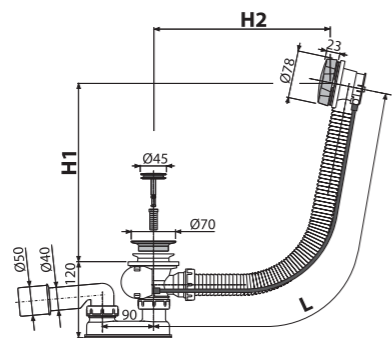
FOR
THE SAME
PRICE

A55K
Bath pop-up waste and trap, metal



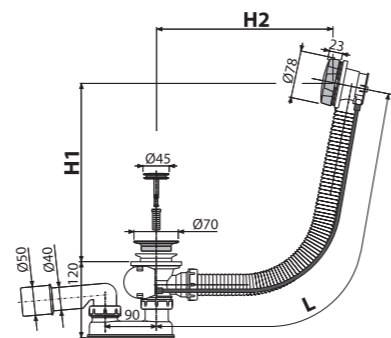
Quantity (packing)	20 pcs
Quantity (pallet)	320 pcs
Material – plug/control knob	metal/metal

A55ANTIC
Bath pop-up waste and trap, bronze-antic



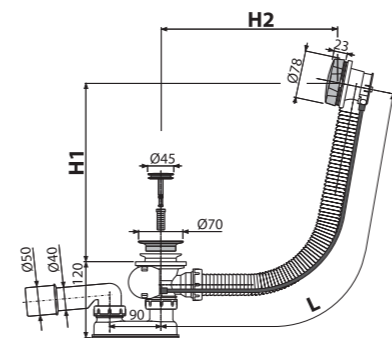
Quantity (packing)	20 pcs
Quantity (pallet)	320 pcs
Material – plug/control knob	metal/metal

A55BLACK
Bath pop-up waste and trap, black-matt



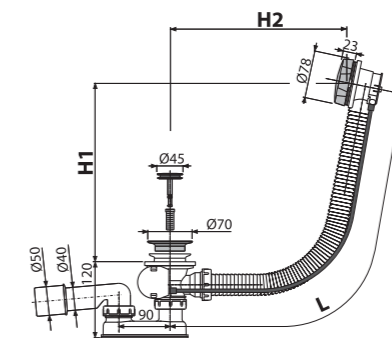
Quantity (packing)	20 pcs
Quantity (pallet)	320 pcs
Material – plug/control knob	metal/metal

A55K-RG-B N FROM II. Q
Bath pop-up waste and trap, RED GOLD-brushed matt



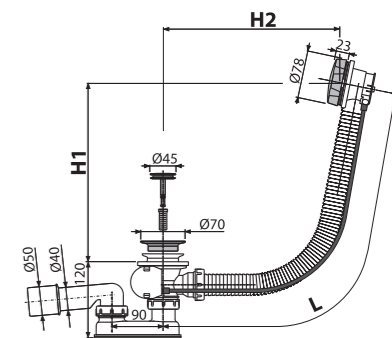
Quantity (packing)	20 pcs
Quantity (pallet)	320 pcs
Material – plug/control knob	metal/metal

A55K-N-P N FROM II. Q
Bath pop-up waste and trap, NICKEL-polished



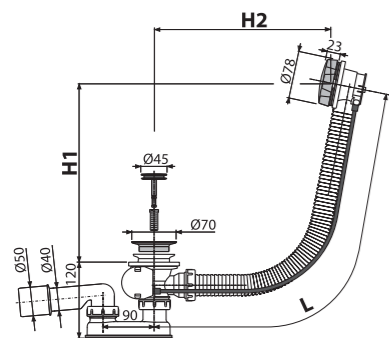
Quantity (packing)	20 pcs
Quantity (pallet)	320 pcs
Material – plug/control knob	metal/metal

A55K-N-B N FROM II. Q
Bath pop-up waste and trap, NICKEL-brushed matt



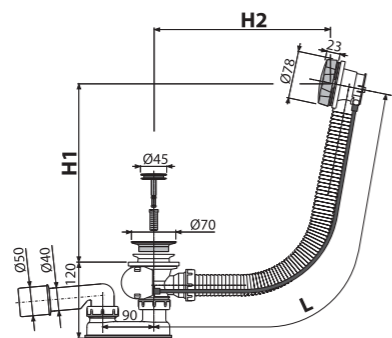
Quantity (packing)	20 pcs
Quantity (pallet)	320 pcs
Material – plug/control knob	metal/metal

A55K-G-P N FROM II. Q
Bath pop-up waste and trap, GOLD-polished



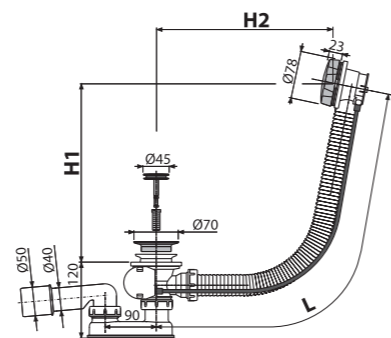
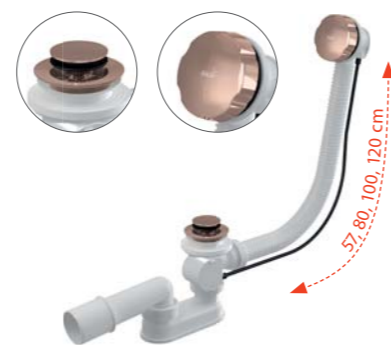
Quantity (packing)	20 pcs
Quantity (pallet)	320 pcs
Material – plug/control knob	metal/metal

A55K-G-B N FROM II. Q
Bath pop-up waste and trap, GOLD-brushed matt



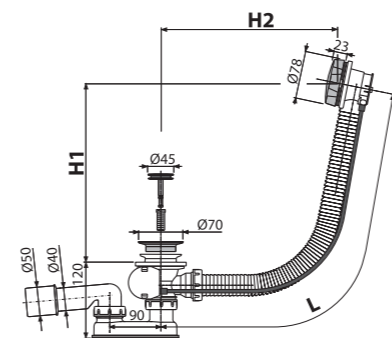
Quantity (packing)	20 pcs
Quantity (pallet)	320 pcs
Material – plug/control knob	metal/metal

A55K-RG-P N FROM II. Q
Bath pop-up waste and trap, RED GOLD-polished



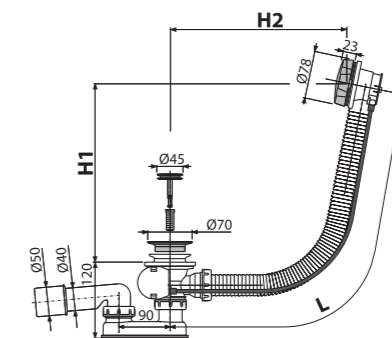
Quantity (packing)	20 pcs
Quantity (pallet)	320 pcs
Material – plug/control knob	metal/metal

A55K-GM-P N FROM II. Q
Bath pop-up waste and trap, GUN METAL-polished



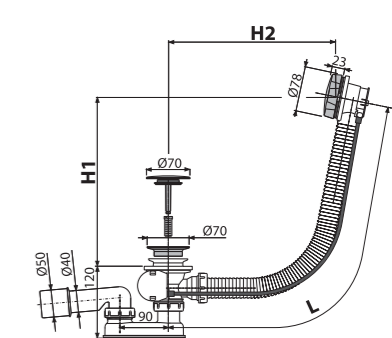
Quantity (packing)	20 pcs
Quantity (pallet)	320 pcs
Material – plug/control knob	metal/metal

A55K-GM-B N FROM II. Q
Bath pop-up waste and trap, GUN METAL-brushed matt



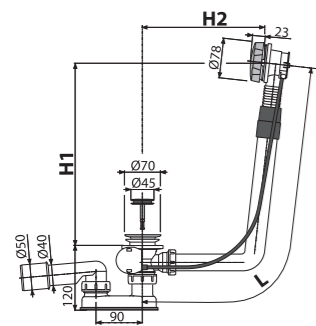
Quantity (packing)	20 pcs
Quantity (pallet)	320 pcs
Material – plug/control knob	metal/metal

A55KM
Bath pop-up waste and trap, metal



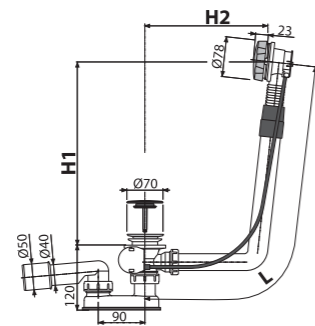
Quantity (packing)	20 pcs
Quantity (pallet)	320 pcs
Material – plug/control knob	plastic/metal

A550K
Bath pop-up waste and trap, metal



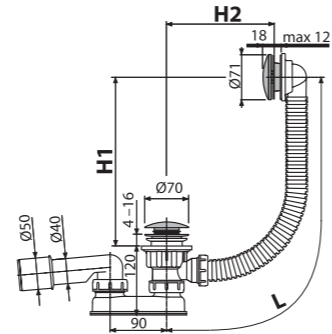
Quantity (packing)	12 pcs
Quantity (pallet)	192 pcs
Material - plug/control knob	metal/metal

A550KM
Bath pop-up waste and trap, metal



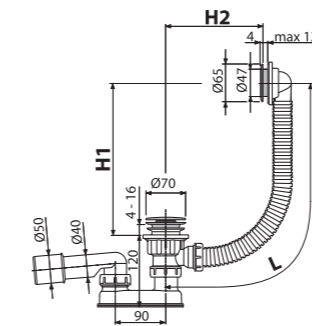
Quantity (packing)	12 pcs
Quantity (pallet)	192 pcs
Material - plug/control knob	plastic/metal

A504CKM
Bath CLICK/CLACK waste and trap, metal



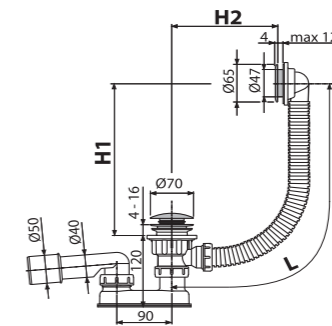
Quantity (packing)	20 pcs
Quantity (pallet)	320 pcs
Material - plug/control knob	metal/metal

A505CRM
Bath CLICK/CLACK waste and trap, chrome



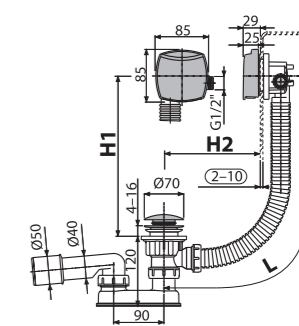
Quantity (packing)	20 pcs
Quantity (pallet)	320 pcs
Material - plug/grid	plastic/plastic

A505CKM
Bath CLICK/CLACK waste and trap, metal



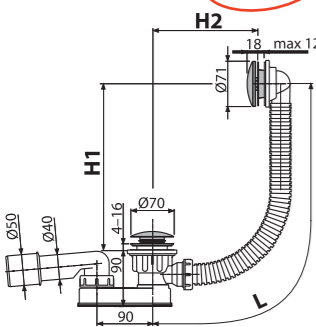
Quantity (packing)	20 pcs
Quantity (pallet)	320 pcs
Material - plug/grid	metal/plastic

A508CKM
Bath CLICK/CLACK waste and trap, overflow filler, chrome



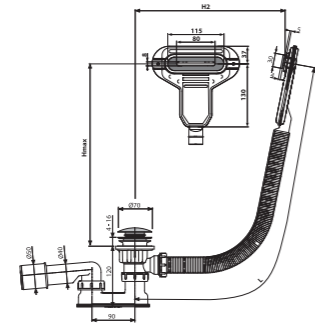
Quantity (packing)	12 pcs
Quantity (pallet)	192 pcs
Material - plug/control knob	metal/plastic

A507CKM
Bath CLICK/CLACK waste and trap, metal



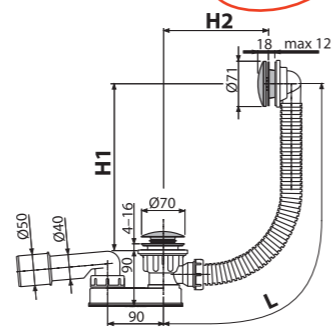
Quantity (packing)	20 pcs
Quantity (pallet)	320 pcs
Material - plug/control knob	metal/metal

A516CKM
Bath CLICK/CLACK waste and trap with flat overflow, chrome



Quantity (packing)	20 pcs
Quantity (pallet)	320 pcs
Material - plug/cap	metal/plastic

A507BLACK
Bath CLICK/CLACK waste and trap, black-matt overflow, chrome



Quantity (packing)	20 pcs
Quantity (pallet)	320 pcs
Material - plug/control knob	metal/metal

Top cleaning

Products containing the top cleaning waste outlet (A392C, A392BLACK, A504CKM, A505CKM, A507CKM, A507BLACK, A508CKM, A509CKM, A516CKM, A465C-50, A465BLACK-50) now have a new construction design for even easier cleaning of the outlet.



MECHANISM INNOVATION FOR LONGER LIFETIME



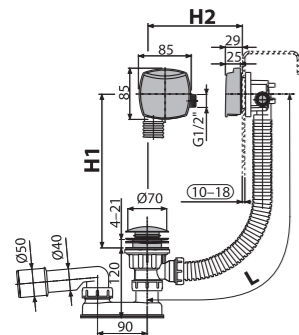
EASY CLEANING REMOVABLE WASTE OUTLET

Easy cleaning of the waste and trap from the top (from the inside bathtub area)



A509CKM

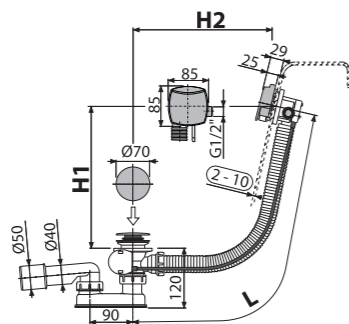
Bath CLICK/CLACK waste and trap, overflow filler, for thick-walled bathtubs, chrome



Quantity (packing)	12 pcs
Quantity (pallet)	192 pcs
Material – plug/control knob	metal/plastic

A564CRM1

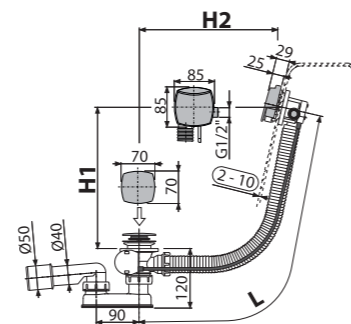
Bath pop-up waste and trap, with overflow filler, chrome



Quantity (packing)	12 pcs
Quantity (pallet)	192 pcs
Material – plug/control knob	plastic/plastic

A564CRM2

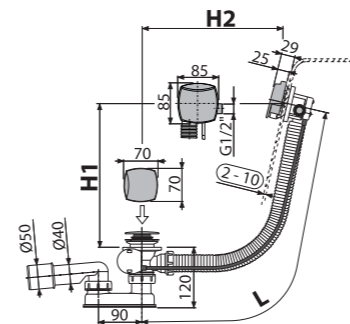
Bath pop-up waste and trap, with overflow filler, chrome



Quantity (packing)	12 pcs
Quantity (pallet)	192 pcs
Material – plug/control knob	plastic/plastic

A564KM3

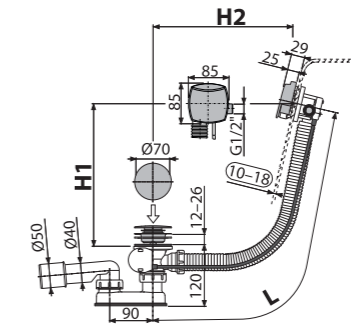
Bath pop-up waste and trap, with overflow filler, metal



Quantity (packing)	12 pcs
Quantity (pallet)	192 pcs
Material – plug/control knob	metal/metal

A565CRM1

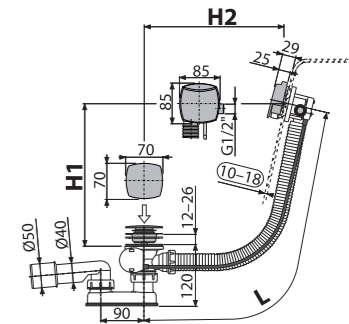
Bath pop-up waste and trap, with overflow filler, for thick-walled bathtubs, chrome



Quantity (packing)	12 pcs
Quantity (pallet)	192 pcs
Material – plug/control knob	plastic/plastic

A565CRM2

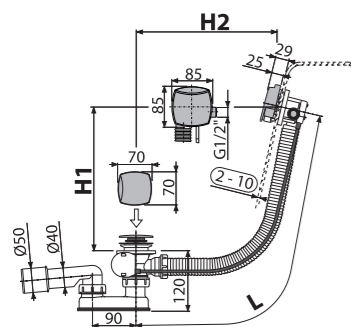
Bath pop-up waste and trap, with overflow filler, for thick-walled bathtubs, chrome



Quantity (packing)	12 pcs
Quantity (pallet)	192 pcs
Material – plug/control knob	plastic/plastic

A564CRM3

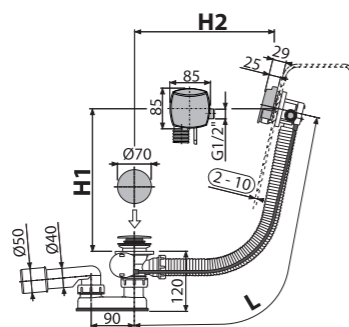
Bath pop-up waste and trap, with overflow filler, chrome



Quantity (packing)	12 pcs
Quantity (pallet)	192 pcs
Material – plug/control knob	plastic/plastic

A564KM1

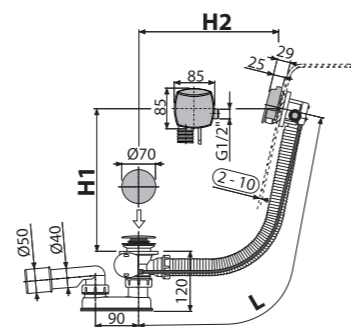
Bath pop-up waste and trap, with overflow filler, metal



Quantity (packing)	12 pcs
Quantity (pallet)	192 pcs
Material – plug/control knob	metal/metal

A564BLACK

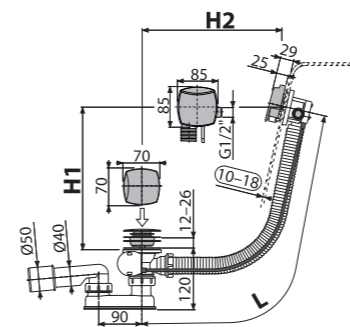
Bath pop-up waste and trap, with overflow filler, black-matt



Quantity (packing)	12 pcs
Quantity (pallet)	192 pcs
Material – plug/control knob	metal/metal

A565CRM3

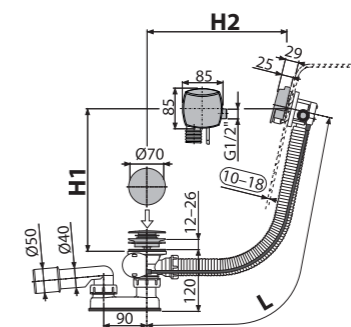
Bath pop-up waste and trap, with overflow filler, for thick-walled bathtubs, chrome



Quantity (packing)	12 pcs
Quantity (pallet)	192 pcs
Material – plug/control knob	plastic/plastic

A565KM1

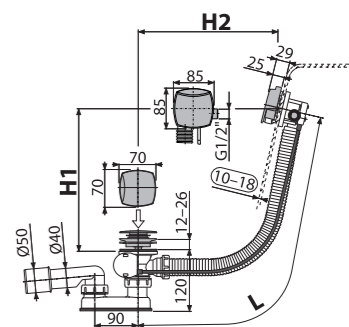
Bath pop-up waste and trap, with overflow filler, for thick-walled bathtubs, metal



Quantity (packing)	12 pcs
Quantity (pallet)	192 pcs
Material – plug/control knob	metal/metal

A565KM3

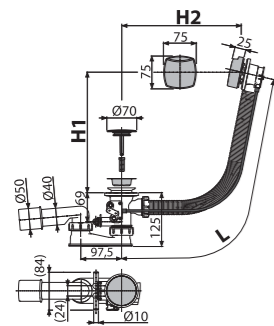
Bath pop-up waste and trap, with overflow filler, for thick-walled bathtubs, metal



Quantity (packing)	12 pcs
Quantity (pallet)	192 pcs
Material – plug/control knob	metal/metal

A566-112122-57

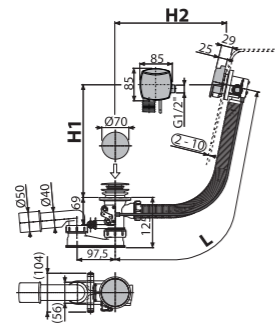
Bath waste and trap for whirlpool bathtubs, chrome



Quantity (packing)	12 pcs
Quantity (pallet)	192 pcs
Material – plug/control knob	plastic/plastic

A566-273133-57

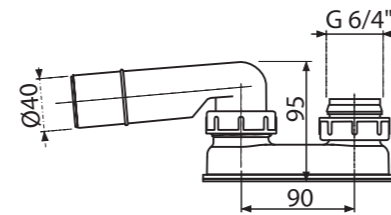
Bath waste and trap for whirlpool bathtubs with overflow filler, metal



Quantity (packing)	12 pcs
Quantity (pallet)	192 pcs
Material – plug/control knob	metal/metal

A53-DN40

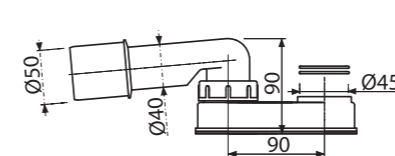
Odour trap



Quantity (packing)	75 pcs
Quantity (pallet)	1200 pcs
Material	polypropylene

A531

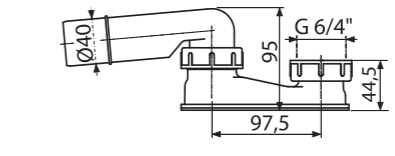
Odour trap lowered



Quantity (packing)	75 pcs
Quantity (pallet)	1200 pcs
Material	polypropylene

A532-DN40

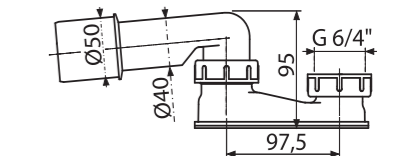
Odour trap lowered



Quantity (packing)	75 pcs
Quantity (pallet)	1200 pcs
Material	polypropylene

A532-DN50

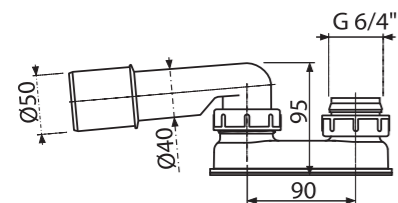
Odour trap lowered



Quantity (packing)	75 pcs
Quantity (pallet)	1200 pcs
Material	polypropylene

A53-DN50

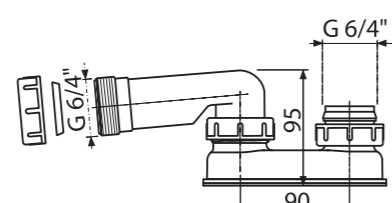
Odour trap



Quantity (packing)	75 pcs
Quantity (pallet)	1200 pcs
Material	polypropylene

A53-6/4"

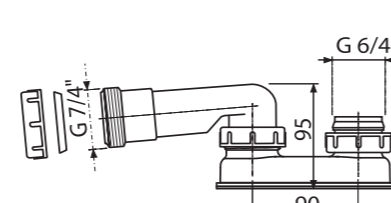
Odour trap



Quantity (packing)	75 pcs
Quantity (pallet)	1200 pcs
Material	polypropylene

A53-7/4"

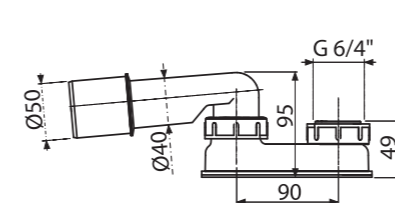
Odour trap



Quantity (packing)	75 pcs
Quantity (pallet)	1200 pcs
Material	polypropylene

A533-DN50

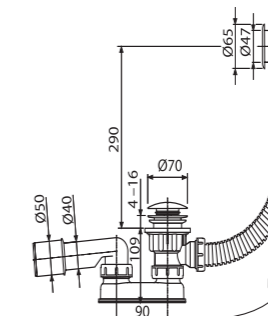
Odour trap



Quantity (packing)	75 pcs
Quantity (pallet)	1200 pcs
Material	polypropylene

A503KM

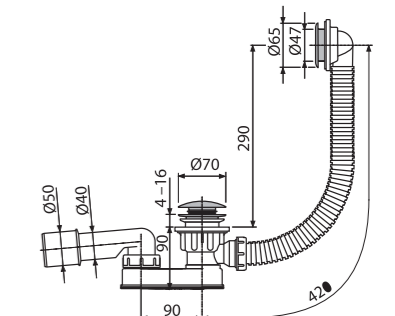
Shower waste and trap CLICK/CLACK, metal



Quantity (packing)	25 pcs
Quantity (pallet)	400 pcs
Material – plug/grid	metal/plastic

A506KM

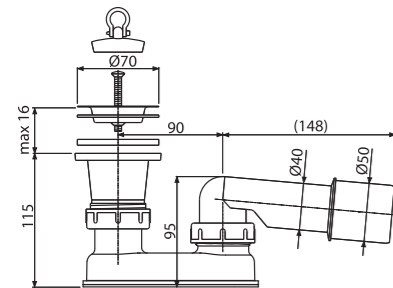
Shower waste and trap CLICK/CLACK, metal



Quantity (packing)	25 pcs
Quantity (pallet)	400 pcs
Material – plug/grid	metal/plastic

A461-50

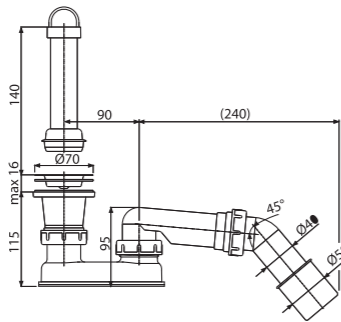
Shower waste and trap



Quantity (packing)	50 pcs
Quantity (pallet)	800 pcs
Material	polypropylene

A462-50

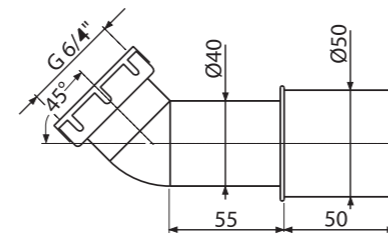
Shower waste and trap, with overflow pipe and elbow



Quantity (packing)	35 pcs
Quantity (pallet)	560 pcs
Material	polypropylene

A52

Elbow 45°



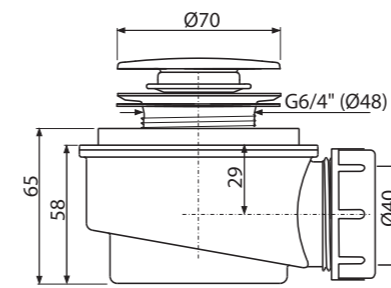
Quantity (packing)	75 pcs
Quantity (pallet)	2100 pcs
Material	ABS

A476

Shower waste set CLICK/CLACK, chrome



Ø50



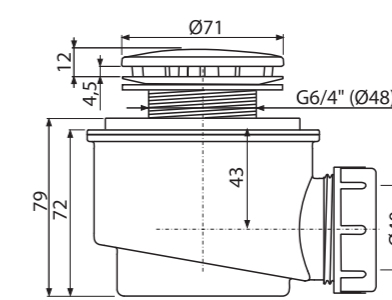
Quantity (packing)	30 pcs
Quantity (pallet)	840 pcs
Material – trap body/plug	polypropylene/plastic

A46-50

Shower waste and trap with stainless steel grid



Ø50



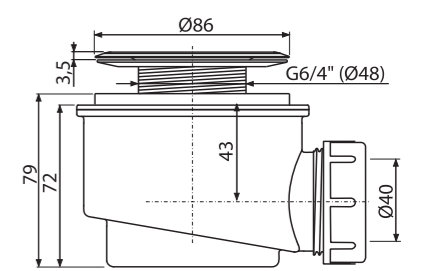
Quantity (packing)	30 pcs
Quantity (pallet)	840 pcs
Material – trap body/cover	polypropylene/metal

A46-60

Shower waste and trap with stainless steel grid



Ø60



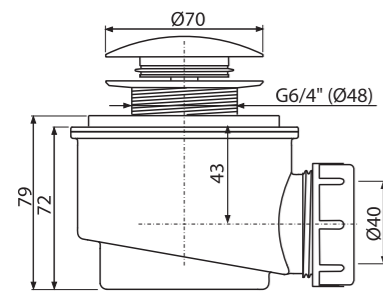
Quantity (packing)	30 pcs
Quantity (pallet)	840 pcs
Material – trap body/cover	polypropylene/metal

A465C-50

Shower waste and trap CLICK/CLACK, metal



Ø50



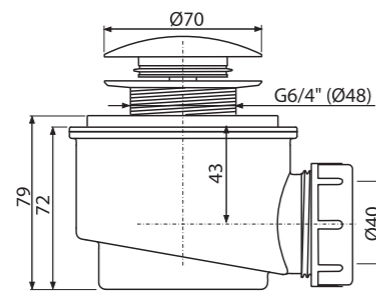
Quantity (packing)	30 pcs
Quantity (pallet)	840 pcs
Material – trap body/plug	polypropylene/metal

A465BLACK-50

Shower waste and trap CLICK/CLACK, black-matt



Ø50



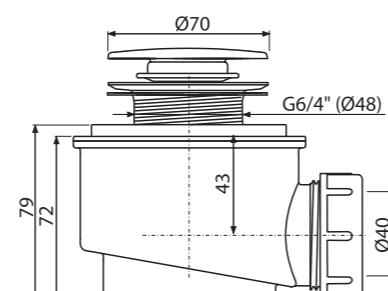
Quantity (packing)	30 pcs
Quantity (pallet)	840 pcs
Material – trap body/plug	polypropylene/metal

A466-50

Shower waste and trap CLICK/CLACK, chrome



Ø50



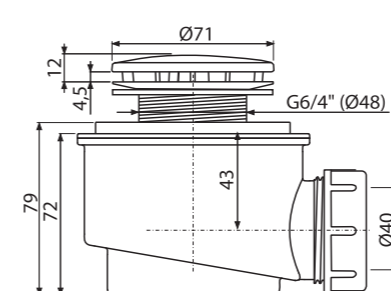
Quantity (packing)	30 pcs
Quantity (pallet)	840 pcs
Material – trap body/plug	polypropylene/plastic

A47B-50

Shower waste and trap, white



Ø50



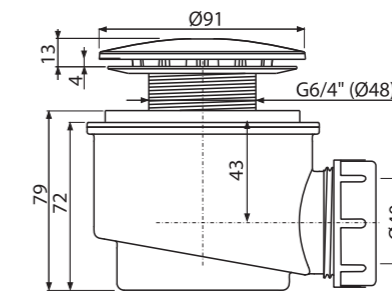
Quantity (packing)	30 pcs
Quantity (pallet)	840 pcs
Material – trap body/cover	polypropylene/plastic

A47B-60

Shower waste and trap, white



Ø60



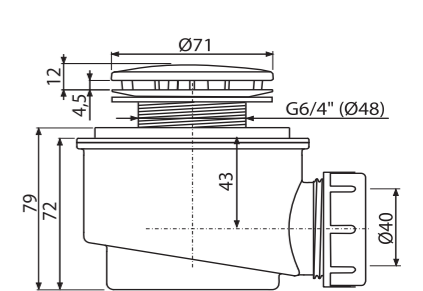
Quantity (packing)	30 pcs
Quantity (pallet)	840 pcs
Material – trap body/cover	polypropylene/plastic

A47CR-50

Shower waste and trap, chrome



Ø50

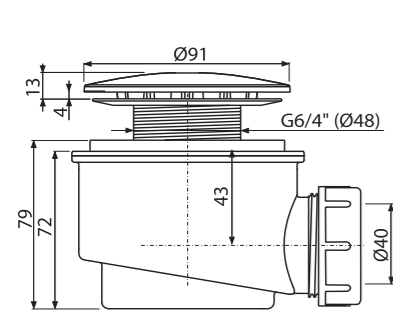


Quantity (packing)	30 pcs
Quantity (pallet)	840 pcs
Material – trap body/cover	polypropylene/plastic

A47CR-60
Shower waste and trap, chrome



Ø60

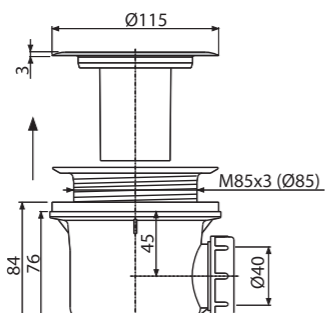


Quantity (packing) 30 pcs
Quantity (pallet) 840 pcs
Material – trap body/cover polypropylene/plastic

A48
Shower waste and trap with stainless steel grid



Ø90

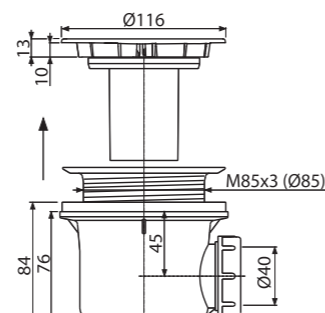


Quantity (packing) 24 pcs
Quantity (pallet) 672 pcs
Material – trap body/cover polypropylene/metal

A49B
Shower waste and trap, white



Ø90

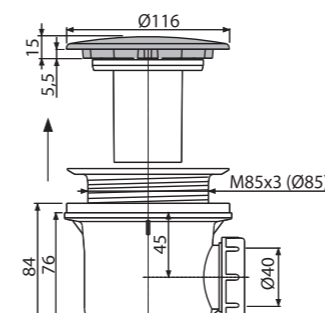


Quantity (packing) 24 pcs
Quantity (pallet) 672 pcs
Material – trap body/cover polypropylene/plastic

A49ANTIC
Shower waste and trap, bronze-antic



Ø90

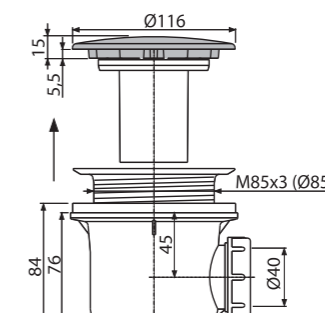


Quantity (packing) 24 pcs
Quantity (pallet) 672 pcs
Material – trap body/cover polypropylene/metal

A49BLACK
Shower waste and trap, black-matt



Ø90

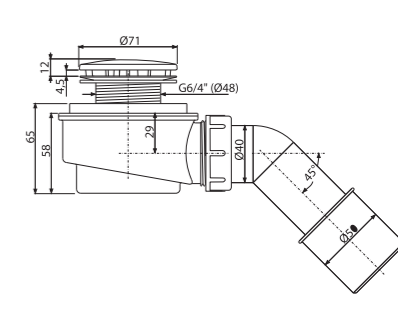


Quantity (packing) 24 pcs
Quantity (pallet) 672 pcs
Material – trap body/cover polypropylene/metal

A471CR-50
Shower waste set, chrome



REDUCED HEIGHT
Ø50

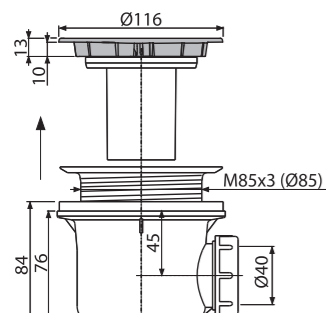


Quantity (packing) 25 pcs
Quantity (pallet) 700 pcs
Material – trap body/cover polypropylene/plastic

A49CR
Shower waste and trap, chrome



Ø90

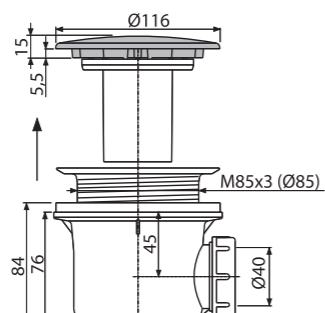


Quantity (packing) 24 pcs
Quantity (pallet) 672 pcs
Material – trap body/cover polypropylene/plastic

A49K
Shower waste and trap, metal LUX



Ø90

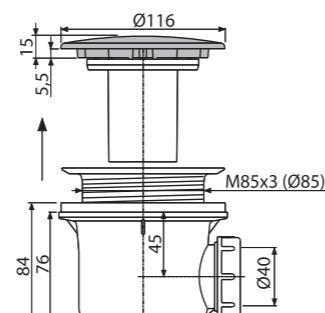


Quantity (packing) 24 pcs
Quantity (pallet) 672 pcs
Material – trap body/cover polypropylene/metal

A49K MAT
Shower waste and trap, metal LUX



Ø90

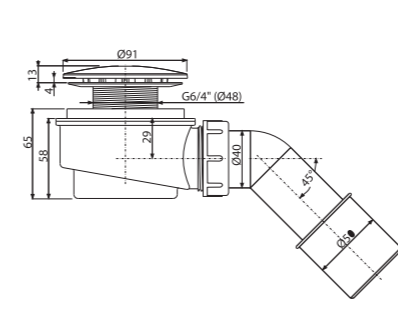


Quantity (packing) 24 pcs
Quantity (pallet) 672 pcs
Material – trap body/cover polypropylene/metal

A471CR-60
Shower waste set, chrome



REDUCED HEIGHT
Ø60

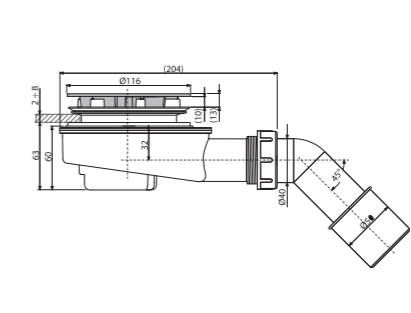


Quantity (packing) 25 pcs
Quantity (pallet) 700 pcs
Material – trap body/cover polypropylene/plastic

A491CR
Shower waste set, chrome



REDUCED HEIGHT
Ø90

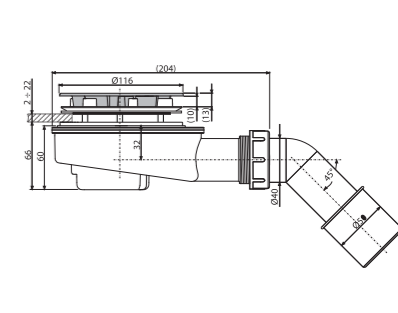


Quantity (packing) 15 pcs
Quantity (pallet) 420 pcs
Material – trap body/cover polypropylene/plastic

A492CR
Shower waste set for thick trays, chrome



REDUCED HEIGHT
Ø90



Quantity (packing) 15 pcs
Quantity (pallet) 420 pcs
Material – trap body/cover polypropylene/plastic

A41
Wash-basin waste and trap DN40 with stainless steel grid DN63



Quantity (packing)	25 pcs
Quantity (pallet)	700 pcs
Material	polypropylene

A42
Wash-basin waste and trap DN40 with plastic grid DN63



A420
Wash-basin waste and trap DN32 with plastic grid DN63

Quantity (packing)	25 pcs
Quantity (pallet)	700 pcs
Material	polypropylene

A411
Wash-basin waste and trap DN32 with stainless steel grid DN63



Quantity (packing)	25 pcs
Quantity (pallet)	700 pcs
Material	polypropylene

A42R
Wash-basin waste and trap DN40 with plastic grid DN63, chain



Quantity (packing)	25 pcs
Quantity (pallet)	700 pcs
Material	polypropylene

A41PR
Wash-basin waste and trap DN40 with connector and stainless steel grid DN63, chain



Quantity (packing)	20 pcs
Quantity (pallet)	560 pcs
Material	polypropylene

A45F-DN40
Wash-basin and bidet trap DN40 plastic



A45F-DN32
Wash-basin and bidet trap DN32 plastic

Quantity (packing)	25 pcs
Quantity (pallet)	700 pcs
Material	polypropylene

A412-DN40
Wash-basin waste and trap "S" DN40 with stainless steel grid DN63



Quantity (packing)	25 pcs
Quantity (pallet)	700 pcs
Material	polypropylene

A421
Wash-basin waste and trap DN32 with plastic grid DN63



Quantity (packing)	25 pcs
Quantity (pallet)	700 pcs
Material	polypropylene

A41P
Wash-basin waste and trap DN40 with connector and stainless steel grid DN63



A410P
Wash-basin waste and trap DN32 with connector and stainless steel grid DN63

Quantity (packing)	20 pcs
Quantity (pallet)	560 pcs
Material	polypropylene

A43
Wash-basin trap DN40 with coupling nut 5/4"



Quantity (packing)	25 pcs
Quantity (pallet)	700 pcs
Material	polypropylene

A43P
Wash-basin trap DN40 with connector and coupling nut 5/4"



Quantity (packing)	25 pcs
Quantity (pallet)	700 pcs
Material	polypropylene

A434
Space-saving wash-basin trap DN40 with coupling nut 5/4"



Quantity (packing)	10 pcs
Quantity (pallet)	280 pcs
Material	polypropylene

A42P
Wash-basin waste and trap DN40 with connector and plastic grid DN63



A420P
Wash-basin waste and trap DN32 with connector and plastic grid DN63

Quantity (packing)	20 pcs
Quantity (pallet)	560 pcs
Material	polypropylene

A413
Space saving wash-basin trap DN63



Quantity (packing)	15 pcs
Quantity (pallet)	420 pcs
Material	polypropylene

A41R
Wash-basin waste and trap DN40 with stainless steel grid DN63, chain



Quantity (packing)	25 pcs
Quantity (pallet)	700 pcs
Material	polypropylene

P066-ND
Set of spare seals for wash-basin traps



Quantity (packing)	-
Quantity (pallet)	-
Material	rubber

A31
Wash-basin waste 5/4" with stainless steel grid DN63



Quantity (packing)	100 pcs
Quantity (pallet)	2800 pcs
Material	polypropylene

A32
Wash-basin waste 5/4" with plastic grid DN63



Quantity (packing)	100 pcs
Quantity (pallet)	2800 pcs
Material	polypropylene

A31P
Wash-basin waste 6/4" with stainless steel grid DN63 and connector



Quantity (packing)	75 pcs
Quantity (pallet)	2100 pcs
Material	polypropylene

A439
Wash-basin waste 5/4", metal



Quantity (packing)	40 pcs
Quantity (pallet)	640 pcs
Material	stainless steel

A750+A31
Flexi pipe 5/4"×32/40 plastic + Wash-basin waste 5/4" with stainless steel grid DN63



Quantity (packing)	60 pcs
Quantity (pallet)	960 pcs
Material	polypropylene

A392-G-B N FROM II. Q
Wash-basin CLICK/CLACK waste 5/4" metal with overflow, big plug, GOLD-brushed matt



Quantity (packing)	30 pcs
Quantity (pallet)	840 pcs
Material	brass with PVD finish

A392-RG-P N FROM II. Q
Wash-basin CLICK/CLACK waste 5/4" metal with overflow, big plug, RED GOLD-polished



Quantity (packing)	30 pcs
Quantity (pallet)	840 pcs
Material	brass with PVD finish

A392-RG-B N FROM II. Q
Wash-basin CLICK/CLACK waste 5/4" metal with overflow, big plug, RED GOLD-brushed matt



Quantity (packing)	30 pcs
Quantity (pallet)	840 pcs
Material	brass with PVD finish

A391
Wash-basin CLICK/CLACK waste 5/4", metal with overflow, small plug



Quantity (packing)	40 pcs
Quantity (pallet)	1280 pcs
Material	chrome-plated brass

A392C
Wash-basin CLICK/CLACK waste 5/4", metal with overflow, big plug



Quantity (packing)	30 pcs
Quantity (pallet)	840 pcs
Material	chrome-plated brass

A392B
Wash-basin CLICK/CLACK waste 5/4" metal with overflow, big white plug



Quantity (packing)	30 pcs
Quantity (pallet)	840 pcs
Material	chrome-plated brass

A392-N-P N FROM II. Q
Wash-basin CLICK/CLACK waste 5/4" metal with overflow, big plug, NICKEL-polished



Quantity (packing)	30 pcs
Quantity (pallet)	840 pcs
Material	brass with PVD finish

A392-N-B N FROM II. Q
Wash-basin CLICK/CLACK waste 5/4" metal with overflow, big plug, NICKEL-brushed matt



Quantity (packing)	30 pcs
Quantity (pallet)	840 pcs
Material	brass with PVD finish

A392-GM-P N FROM II. Q
Wash-basin CLICK/CLACK waste 5/4" metal with overflow, big plug, GUN METAL-polished



Quantity (packing)	30 pcs
Quantity (pallet)	840 pcs
Material	brass with PVD finish

A392ANTIC
Wash-basin CLICK/CLACK waste 5/4" metal with overflow, big plug, bronze-antic



Quantity (packing)	30 pcs
Quantity (pallet)	840 pcs
Material	brass with bronze-antic finish

A392BLACK
Wash-basin CLICK/CLACK waste 5/4", metal with overflow, big plug black-matt



Quantity (packing)	30 pcs
Quantity (pallet)	840 pcs
Material	chrome-plated brass with black-matt finish

A392-G-P N FROM II. Q
Wash-basin CLICK/CLACK waste 5/4" metal with overflow, big plug, GOLD-polished



Quantity (packing)	30 pcs
Quantity (pallet)	840 pcs
Material	brass with PVD finish

A392-GM-B N FROM II. Q
Wash-basin CLICK/CLACK waste 5/4" metal with overflow, big plug, GUN METAL-brushed matt



Quantity (packing)	30 pcs
Quantity (pallet)	840 pcs
Material	brass with PVD finish

A393
Wash-basin CLICK/CLACK waste 5/4", metal with overflow, square plug



Quantity (packing)	30 pcs
Quantity (pallet)	840 pcs
Material	chrome-plated brass

A394
Wash-basin CLICK/CLACK waste 5/4", metal without overflow, small plug



Quantity (packing)	40 pcs
Quantity (pallet)	1120 pcs
Material	chrome-plated brass

A395

Wash-basin CLICK/CLACK waste 5/4", metal without overflow, big plug



Quantity (packing)	30 pcs
Quantity (pallet)	840 pcs
Material	chrome-plated brass

A395B

Wash-basin CLICK/CLACK waste 5/4", metal without overflow, big white plug, for plastic and glass wash-basins



Quantity (packing)	30 pcs
Quantity (pallet)	840 pcs
Material	chrome-plated brass

A39

Wash-basin CLICK/CLACK waste 5/4", metal with overflow, small plug



Quantity (packing)	40 pcs
Quantity (pallet)	1120 pcs
Material	chrome-plated brass

A390

Wash-basin CLICK/CLACK waste 5/4", metal with overflow, big plug



Quantity (packing)	40 pcs
Quantity (pallet)	1120 pcs
Material	chrome-plated brass

A396

Wash-basin waste 5/4", metal, big plug, for wash-basins without overflow



Quantity (packing)	30 pcs
Quantity (pallet)	840 pcs
Material	chrome-plated brass

A328B

Wash-basin overflow, white



Quantity (packing)	50 pcs
Quantity (pallet)	800 pcs
Material – body/cap	polypropylene/plastic

A328CR

Wash-basin overflow, chrome



Quantity (packing)	50 pcs
Quantity (pallet)	800 pcs
Material – body/cap	polypropylene/ chrome-plated plastic

ARV001

Angle valve with a filter 1/2"×3/8", round



Quantity (packing)	60 pcs
Quantity (pallet)	1680 pcs
Material	chrome-plated metal

ARV003

Angle valve with a filter 1/2"×1/2", round



Quantity (packing)	60 pcs
Quantity (pallet)	1680 pcs
Material	chrome-plated metal

ARV001-ANTIC

Angle valve with a filter 1/2"×3/8", bronze-antic



Quantity (packing)	60 pcs
Quantity (pallet)	1680 pcs
Material	metal with bronze-antic finish

ARV003-ANTIC

Angle valve with a filter 1/2"×1/2", bronze-antic



Quantity (packing)	60 pcs
Quantity (pallet)	1680 pcs
Material	metal with bronze-antic finish

ARV001-BLACK

Angle valve with a filter 1/2"×3/8", black-matt



Quantity (packing)	60 pcs
Quantity (pallet)	1680 pcs
Material	chrome-plated metal with black-matt finish

ARV003-BLACK

Angle valve with a filter 1/2"×1/2", black-matt

ARV001B

Angle valve with a filter 1/2"×3/8", round, white



Quantity (packing)	72 pcs
Quantity (pallet)	1680 pcs
Material	chrome-plated metal with white-polished finish

ARV003B

Angle valve with a filter 1/2"×1/2", round, white



Quantity (packing)	60 pcs
Quantity (pallet)	1680 pcs
Material	metal with PVD finish

ARV001-G-P

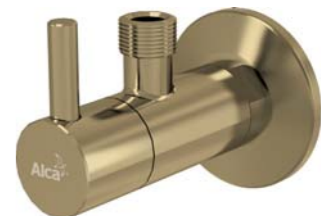
Angle valve with a filter 1/2"×3/8", GOLD-polished



Quantity (packing)	60 pcs
Quantity (pallet)	1680 pcs
Material	metal with PVD finish

ARV001-G-B

Angle valve with a filter 1/2"×3/8", GOLD-brushed matt



Quantity (packing)	60 pcs
Quantity (pallet)	1680 pcs
Material	metal with PVD finish

ARV001-RG-P

Angle valve with a filter 1/2"×3/8", RED GOLD-polished



Quantity (packing)	60 pcs
Quantity (pallet)	1680 pcs
Material	metal with PVD finish

ARV001-RG-B

Angle valve with a filter 1/2"×3/8", RED GOLD-brushed matt



Quantity (packing)	60 pcs
Quantity (pallet)	1680 pcs
Material	metal with PVD finish

ARV001-N-P

Angle valve with a filter 1/2"×3/8", NICKEL-polished



Quantity (packing)	60 pcs
Quantity (pallet)	1680 pcs
Material	metal with PVD finish

ARV001-N-B N FROM II. Q
Angle valve with a filter 1/2"x3/8", NICKEL-brushed matt



Quantity (packing)	60 pcs
Quantity (pallet)	1680 pcs
Material	metal with PVD finish

ARV001-GM-P N FROM II. Q
Angle valve with a filter 1/2"x3/8", GUN METAL-polished



Quantity (packing)	60 pcs
Quantity (pallet)	1680 pcs
Material	metal with PVD finish

ARV001-GM-B N FROM II. Q
Angle valve with a filter 1/2"x3/8", GUN METAL-brushed matt



Quantity (packing)	60 pcs
Quantity (pallet)	1680 pcs
Material	metal with PVD finish

ARV002
Angle valve 1/2"x3/8", square

ARV004
Angle valve 1/2"x1/2", square



Quantity (packing)	72 pcs
Quantity (pallet)	2016 pcs
Material	chrome-plated metal

A400
Wash-basin trap DN32 DESIGN metal, round



Quantity (packing)	12 pcs
Quantity (pallet)	336 pcs
Material	chrome-plated brass

A400ANTIC
Wash-basin trap DESIGN DN32, bronze-antic



Quantity (packing)	12 pcs
Quantity (pallet)	336 pcs
Material	brass with bronze-antic finish

A400BLACK
Wash-basin trap DESIGN DN32, black-matt



Quantity (packing)	12 pcs
Quantity (pallet)	336 pcs
Material	chrome-plated brass with black-matt finish

A400B
Wash-basin trap DN32 DESIGN metal, round, white



Quantity (packing)	12 pcs
Quantity (pallet)	336 pcs
Material	chrom-plated brass with white-polished finish

A400-G-P N FROM II. Q
Wash-basin trap DESIGN DN32, GOLD-polished



Quantity (packing)	12 pcs
Quantity (pallet)	336 pcs
Material	brass with PVD finish

A400-G-B N FROM II. Q
Wash-basin trap DESIGN DN32, GOLD-brushed matt



Quantity (packing)	12 pcs
Quantity (pallet)	336 pcs
Material	brass with PVD finish

A400-RG-P N FROM II. Q
Wash-basin trap DESIGN DN32, RED GOLD-polished



Quantity (packing)	12 pcs
Quantity (pallet)	336 pcs
Material	brass with PVD finish

A400-RG-B N FROM II. Q
Wash-basin trap DESIGN DN32, RED GOLD-brushed matt



Quantity (packing)	12 pcs
Quantity (pallet)	336 pcs
Material	brass with PVD finish

A400-N-P N FROM II. Q
Wash-basin trap DESIGN DN32, NICKEL-polished



Quantity (packing)	12 pcs
Quantity (pallet)	336 pcs
Material	brass with PVD finish

A400-N-B

Wash-basin trap DESIGN DN32, NICKEL-brushed matt

N FROM II. Q



Quantity (packing)	12 pcs
Quantity (pallet)	336 pcs
Material	brass with PVD finish

A400-GM-P

Wash-basin trap DESIGN DN32, GUN METAL-polished

N FROM II. Q



Quantity (packing)	12 pcs
Quantity (pallet)	336 pcs
Material	brass with PVD finish

A400-GM-B

Wash-basin trap DESIGN DN32, GUN METAL-brushed matt

N FROM II. Q



Quantity (packing)	12 pcs
Quantity (pallet)	336 pcs
Material	brass with PVD finish

A4320

Wash-basin trap "U" DN32, with coupling nut 5/4", metal



Quantity (packing)	20 pcs
Quantity (pallet)	560 pcs
Material	chrome-plated brass

A4320BLACK

Wash-basin trap "U" DN32, with coupling nut 5/4", black-matt



Quantity (packing)	20 pcs
Quantity (pallet)	560 pcs
Material	chrome-plated brass with black-matt finish

A438

Metal elbow DN32, 5/4" nut



Quantity (packing)	15 pcs
Quantity (pallet)	420 pcs
Material	chrome-plated metal

A401

Wash-basin trap DN32 DESIGN metal, square



Quantity (packing)	12 pcs
Quantity (pallet)	336 pcs
Material	chrome-plated brass

A402

Wash-basin trap DESIGN, metal DN32, massive



Quantity (packing)	7 pcs
Quantity (pallet)	252 pcs
Material	chrome-plated brass

A403

Wash-basin trap DESIGN, metal DN32, space saving



Quantity (packing)	10 pcs
Quantity (pallet)	160 pcs
Material	chrome-plated brass

A4000

Extension piece DN32



Quantity (packing)	50 pcs
Quantity (pallet)	1400 pcs
Material	chrome-plated brass

A4000BLACK

Extension piece DN32, black-matt



Quantity (packing)	50 pcs
Quantity (pallet)	1400 pcs
Material	chrome-plated brass with black-matt finish

A4000B

Extension piece DN32, white



Quantity (packing)	15 pcs
Quantity (pallet)	420 pcs
Material	chrom-plated brass with white-polished finish

A431

Wash-basin trap DN32 with coupling nut 5/4", metal



Quantity (packing)	20 pcs
Quantity (pallet)	560 pcs
Material	chrome-plated brass

A437

Wash-basin trap, metal DN32, with metal waste 5/4"



Quantity (packing)	20 pcs
Quantity (pallet)	560 pcs
Material	chrome-plated brass

A432

Wash-basin trap "U" DN32, with coupling nut 5/4", metal



Quantity (packing)	25 pcs
Quantity (pallet)	700 pcs
Material	chrome-plated brass

A441-DN50/40

Sink waste and trap with stainless steel grid DN70



Quantity (packing)	25 pcs
Quantity (pallet)	700 pcs
Material	polypropylene

A441P-DN50/40

Sink waste and trap with stainless steel grid DN70 and connector



Quantity (packing)	20 pcs
Quantity (pallet)	560 pcs
Material	polypropylene

A442-DN50/40

Sink waste and trap with plastic grid DN70



Quantity (packing)	25 pcs
Quantity (pallet)	700 pcs
Material	polypropylene

A447P-DN50/40

Sink waste and trap with stainless steel grid DN115, flexi overflow and connector



Quantity (packing)	14 pcs
Quantity (pallet)	392 pcs
Material	polypropylene

A449-DN50/40

Double sink wastes and trap with stainless steel grids DN70



Quantity (packing)	10 pcs
Quantity (pallet)	280 pcs
Material	polypropylene

A449P-DN50/40

Double sink wastes and trap with stainless steel grids DN70 and connector



Quantity (packing)	10 pcs
Quantity (pallet)	280 pcs
Material	polypropylene

A442P-DN50/40

Sink waste and trap with plastic grid DN70 and connector



Quantity (packing)	20 pcs
Quantity (pallet)	560 pcs
Material	polypropylene

A444-DN50/40

Sink waste and trap with stainless steel grid DN70 and flexi overflow



Quantity (packing)	15 pcs
Quantity (pallet)	420 pcs
Material	polypropylene

A444P-DN50/40

Sink waste and trap with stainless steel grid DN70, flexi overflow and connector



Quantity (packing)	15 pcs
Quantity (pallet)	420 pcs
Material	polypropylene

A453P

Double sink wastes and trap with stainless steel grids DN115 and connector



Quantity (packing)	10 pcs
Quantity (pallet)	160 pcs
Material	polypropylene

A454P

Double sink wastes and trap with stainless steel grids DN115 and connector, two-level



Quantity (packing)	8 pcs
Quantity (pallet)	224 pcs
Material	polypropylene

A456P

Double sink wastes and trap with stainless steel grids DN115, overflow and connector, two-level



Quantity (packing)	8 pcs
Quantity (pallet)	128 pcs
Material	polypropylene

A446-DN50/40

Sink waste and trap with stainless steel grid DN115



Quantity (packing)	15 pcs
Quantity (pallet)	420 pcs
Material	polypropylene

A446P-DN50/40

Sink waste and trap with stainless steel grid DN115 and connector



Quantity (packing)	15 pcs
Quantity (pallet)	420 pcs
Material	polypropylene

A447-DN50/40

Sink waste and trap with stainless steel grid DN115 and flexi overflow



Quantity (packing)	15 pcs
Quantity (pallet)	420 pcs
Material	polypropylene

A800-DN40

Sink waste and pipe trap with stainless steel grid DN70



Quantity (packing)	15 pcs
Quantity (pallet)	420 pcs
Material	polypropylene

A800-DN50

Sink waste and pipe trap with stainless steel grid DN70



Quantity (packing)	15 pcs
Quantity (pallet)	420 pcs
Material	polypropylene

A810-DN40

Sink waste and pipe trap with stainless steel grid DN70 and connector



Quantity (packing)	15 pcs
Quantity (pallet)	420 pcs
Material	polypropylene

A810-DN50

Sink waste and pipe trap with stainless steel grid DN70 and connector



Quantity (packing)	15 pcs
Quantity (pallet)	420 pcs
Material	polypropylene

A820-DN40

Sink waste and pipe trap with stainless steel grid DN70 and two connectors



Quantity (packing)	15 pcs
Quantity (pallet)	420 pcs
Material	polypropylene

A820-DN50

Sink waste and pipe trap with stainless steel grid DN70 and two connectors



Quantity (packing)	15 pcs
Quantity (pallet)	420 pcs
Material	polypropylene

A830-DN50/40

Sink waste and pipe trap with stainless steel grid DN70, connector and flexi pipe



Quantity (packing)	10 pcs
Quantity (pallet)	280 pcs
Material	polypropylene

A840-DN50/40

Sink waste and pipe trap with stainless steel grid DN70, two connectors and flexi pipe



Quantity (packing)	10 pcs
Quantity (pallet)	280 pcs
Material	polypropylene

A870P-DN40

Space conserving sink trap DN40 with a connector



Quantity (packing)	15 pcs
Quantity (pallet)	240 pcs
Material	polypropylene

A443-DN50/40

Sink trap with coupling nut 6/4"



Quantity (packing)	25 pcs
Quantity (pallet)	700 pcs
Material	polypropylene

A443P-DN50/40

Sink trap with coupling nut 6/4" and connector



Quantity (packing)	25 pcs
Quantity (pallet)	700 pcs
Material	polypropylene

A448-DN50/40

Double sink trap with coupling nut 6/4"



Quantity (packing)	10 pcs
Quantity (pallet)	280 pcs
Material	polypropylene

A464-DN50

Shower waste and trap DN80



Quantity (packing)	25 pcs
Quantity (pallet)	400 pcs
Material	polypropylene

A8000

Universal sink trap set



Quantity (packing)	5 pcs
Quantity (pallet)	80 pcs
Material	polypropylene

P067-ND

Set of spare seals for sink traps



Quantity (packing)	-
Quantity (pallet)	-
Material	rubber

A448P-DN50/40

Double sink trap with coupling nut 6/4" and connector



Quantity (packing)	10 pcs
Quantity (pallet)	280 pcs
Material	polypropylene

A80-DN40 / A80-DN50

Pipe trap with coupling nut 6/4"



Quantity (packing)	15 pcs
Quantity (pallet)	420 pcs
Material	polypropylene

A80-DN32

Pipe trap with coupling nut 5/4"



A81-DN40

Pipe trap with coupling nut 6/4" and connector



Quantity (packing)	15 pcs
Quantity (pallet)	420 pcs
Material	polypropylene

A81-DN50

Pipe trap with coupling nut 6/4" and connector

P046

Pipe with rosette DN40



Quantity (packing)	50 pcs
Quantity (pallet)	1400 pcs
Material	PVC

P047

Pipe with rosette DN50



Quantity (packing)	40 pcs
Quantity (pallet)	1120 pcs
Material	PVC

P109

Space-saving connector 6/4"



Quantity (packing)	25 pcs
Quantity (pallet)	400 pcs
Material	polypropylene

A82-DN40

Pipe trap with coupling nut 6/4" and two connectors



Quantity (packing)	15 pcs
Quantity (pallet)	420 pcs
Material	polypropylene

A82-DN50

Pipe trap with coupling nut 6/4" and two connectors

A83-DN50/40

Pipe trap with coupling nut 6/4", connector and flexi pipe



Quantity (packing)	10 pcs
Quantity (pallet)	280 pcs
Material	polypropylene

A84-DN50/40

Pipe trap with coupling nut 6/4", two connectors and flexi pipe



Quantity (packing)	10 pcs
Quantity (pallet)	280 pcs
Material	polypropylene

A872P
Space-saving sink trap with a connector and coupling nut 6/4"



Quantity (packing)	15 pcs
Quantity (pallet)	420 pcs
Material	polypropylene

A873
Universal trap, concealed, space-saving



Quantity (packing)	10 pcs
Quantity (pallet)	280 pcs
Material	polypropylene

A770+A33
Flexi pipe 6/4"x40/50 plastic + Sink waste 6/4" with stainless steel grid DN70



Quantity (packing)	50 pcs
Quantity (pallet)	800 pcs
Material	polypropylene

A30
Adapter pipe 6/4" with connector



Quantity (packing)	75 pcs
Quantity (pallet)	2100 pcs
Material	polypropylene

A44MN-DN40
Adapter pipe with coupling nut 6/4"



Quantity (packing)	25 pcs
Quantity (pallet)	400 pcs
Material	polypropylene

A44MS-DN40
Adapter pipe with coupling nut 6/4" and connector



Quantity (packing)	25 pcs
Quantity (pallet)	400 pcs
Material	polypropylene

A33
Sink waste 6/4" with stainless steel grid DN70



Quantity (packing)	100 pcs
Quantity (pallet)	2800 pcs
Material	polypropylene

A33P
Sink waste 6/4" with stainless steel grid DN70 and with connector



Quantity (packing)	75 pcs
Quantity (pallet)	2100 pcs
Material	polypropylene

A331
Sink waste 6/4" with stainless steel grid DN70 and flexi overflow



Quantity (packing)	40 pcs
Quantity (pallet)	1120 pcs
Material	polypropylene

A44M-DN40
Adapter pipe with coupling nut 6/4" and two connectors



Quantity (packing)	25 pcs
Quantity (pallet)	700 pcs
Material	polypropylene

A300
Adapter pipe 5/4"-6/4" a 6/4"-5/4" with connector



Quantity (packing)	60 pcs
Quantity (pallet)	1680 pcs
Material	polypropylene

S0506-ND
Reduction 5/4"x6/4"



Quantity (packing)	100 pcs
Quantity (pallet)	3200 pcs
Material	polypropylene

A34
Raised sink waste 6/4" with stainless steel grid DN70



Quantity (packing)	100 pcs
Quantity (pallet)	2800 pcs
Material	polypropylene

A37
Sink waste 6/4" with stainless steel grid DN115



Quantity (packing)	50 pcs
Quantity (pallet)	1400 pcs
Material	polypropylene

A38
Sink waste 6/4" with stainless steel grid DN115 and flexi overflow



Quantity (packing)	25 pcs
Quantity (pallet)	700 pcs
Material	polypropylene

S0507-ND
Reduction 6/4"x5/4"



Quantity (packing)	-
Quantity (pallet)	-
Material	polypropylene

S0556-ND
Reduction 6/4"x5/4"



Quantity (packing)	100 pcs
Quantity (pallet)	3200 pcs
Material	polypropylene

P0048-ND
Connector set G1"/17–23



Quantity (packing)	100 pcs
Quantity (pallet)	1600 pcs
Material	polypropylene

P0049-ND
Connector set G1"/8–16



Quantity (packing)	100 pcs
Quantity (pallet)	1600 pcs
Material	polypropylene

P148
Double connector G1"/17–23



Quantity (packing)	70 pcs
Quantity (pallet)	1960 pcs
Material	polypropylene

S0156-ND
Wrapping seal 50/40



Quantity (packing)	-
Quantity (pallet)	-
Material	rubber

S0688-ND
Wrapping seal 36/10



Quantity (packing)	-
Quantity (pallet)	-
Material	rubber

Z0003-ND
Wrapping seal 40/32



Quantity (packing)	-
Quantity (pallet)	-
Material	rubber

P148Z
Double connector G1"/17–23 with valves



Quantity (packing)	70 pcs
Quantity (pallet)	1960 pcs
Material	polypropylene

P149Z
Double connector G1"/8–23 with valves



Quantity (packing)	70 pcs
Quantity (pallet)	1960 pcs
Material	polypropylene

P155Z
Double connector DN40/32 / 17–23 with valves



Quantity (packing)	50 pcs
Quantity (pallet)	800 pcs
Material	polypropylene

Z0004-ND
Wrapping seal 50/32



Quantity (packing)	-
Quantity (pallet)	-
Material	rubber

Z0026-ND
Wrapping seal 60/32



Quantity (packing)	-
Quantity (pallet)	-
Material	rubber

A22
Rosette – cover piece of wash-basin overflow DN33



Quantity (packing)	200 pcs
Quantity (pallet)	5600 pcs
Material	chrome-plated plastic

P156Z
Double connector DN40/32 / 8–23 with valves



Quantity (packing)	50 pcs
Quantity (pallet)	800 pcs
Material	polypropylene

P066-ND
Set of spare seals for wash-basin traps



Quantity (packing)	-
Quantity (pallet)	-
Material	rubber

P067-ND
Set of spare seals for sink traps



Quantity (packing)	-
Quantity (pallet)	-
Material	rubber

A21
Rosette – cover piece of wash-basin overflow DN35



Quantity (packing)	200 pcs
Quantity (pallet)	5600 pcs
Material	chrome-plated plastic

A45A
Urinal trap with rubber sleeve



Quantity (packing)	25 pcs
Quantity (pallet)	700 pcs
Material	polypropylene

A45B
Urinal trap horizontal outlet DN40



Quantity (packing)	25 pcs
Quantity (pallet)	700 pcs
Material	polypropylene

A45C
Urinal trap vertical outlet DN40 and DN50



Quantity (packing)	25 pcs
Quantity (pallet)	700 pcs
Material	polypropylene

AKS1
Funnel trap for dripping condensate DN32



Quantity (packing)	50 pcs
Quantity (pallet)	1400 pcs
Material	polypropylene

AKS1Z
Funnel trap for dripping condensate DN32



Quantity (packing)	50 pcs
Quantity (pallet)	1400 pcs
Material	polypropylene

AKS2
Trap for dripping condensate DN40



Quantity (packing)	15 pcs
Quantity (pallet)	420 pcs
Material	polypropylene

A438
Metal elbow DN32, 5/4" nut



Quantity (packing)	15 pcs
Quantity (pallet)	420 pcs
Material	chrome-plated metal

A45E
Bidet trap DN32 metal



Quantity (packing)	25 pcs
Quantity (pallet)	700 pcs
Material	chrome-plated metal

A45F-DN32
Wash-basin and bidet trap DN32 plastic



Quantity (packing)	25 pcs
Quantity (pallet)	700 pcs
Material	polypropylene

A45F-DN40
Wash-basin and bidet trap DN40 plastic

AKS3
Trap for dripping condensate DN40



Quantity (packing)	15 pcs
Quantity (pallet)	420 pcs
Material	polypropylene

AKS4
Trap for dripping condensate, concealed, stainless steel DN40 and DN50



Quantity (packing)	25 pcs
Quantity (pallet)	400 pcs
Material	polypropylene

AKS5
Funnel trap for dripping condensate with tube holder DN32



Quantity (packing)	60 pcs
Quantity (pallet)	960 pcs
Material	polypropylene

A45G
Bidet trap DN32 metal



Quantity (packing)	25 pcs
Quantity (pallet)	800 pcs
Material	chrome-plated metal

ATS001
Button urinal flushing valve



Quantity (packing)	20 pcs
Quantity (pallet)	560 pcs
Material	chrome-plated metal

AKS6
Reduction HT 40/50xG1/2"



Quantity (packing)	100 pcs
Quantity (pallet)	2800 pcs
Material	polypropylene

AKS7
Trap for dripping condensate, concealed, stainless steel DN40 and DN50



Quantity (packing)	25 pcs
Quantity (pallet)	400 pcs
Material	polypropylene

APS1

External washing machine trap, chrome



Quantity (packing)	100 pcs
Quantity (pallet)	2800 pcs
Material	chrome-plated ABS

APS2

External washing machine trap, white



Quantity (packing)	100 pcs
Quantity (pallet)	2800 pcs
Material	ABS

APS3

Concealed washing machine trap, stainless steel



Quantity (packing)	40 pcs
Quantity (pallet)	1120 pcs
Material	polypropylene

P155Z

Double connector DN40/32 / 17–23 with valves



Quantity (packing)	50 pcs
Quantity (pallet)	800 pcs
Material	polypropylene

P156Z

Double connector DN40/32 / 8–23 with valves



Quantity (packing)	50 pcs
Quantity (pallet)	800 pcs
Material	polypropylene

APS3P

Concealed washing machine trap with air-admittance valve, stainless steel DN40 and DN50



Quantity (packing)	25 pcs
Quantity (pallet)	400 pcs
Material	polypropylene

APS4

Concealed washing machine trap, white



Quantity (packing)	40 pcs
Quantity (pallet)	1120 pcs
Material	polypropylene

APS5

External washing machine trap with air-admittance valve, white



Quantity (packing)	75 pcs
Quantity (pallet)	2100 pcs
Material	ABS

P148

Double connector G1"/17–23



Quantity (packing)	70 pcs
Quantity (pallet)	1960 pcs
Material	polypropylene

P148Z

Double connector G1"/17–23 with valves



Quantity (packing)	70 pcs
Quantity (pallet)	1960 pcs
Material	polypropylene

P149Z

Double connector G1"/8–23 with valves



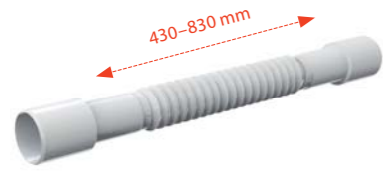
Quantity (packing)	70 pcs
Quantity (pallet)	1960 pcs
Material	polypropylene

Flexi pipes

Flexi pipes PREMIUM	182
Flexi pipes – accessories	183



A794
Flexi pipe 40–32×32–40



Quantity (packing)	100 pcs
Quantity (pallet)	1600 pcs
Material	polypropylene

A710
Flexi pipe 40×40



Quantity (packing)	100 pcs
Quantity (pallet)	1600 pcs
Material	polypropylene

A720
Flexi pipe 50/40×40/50



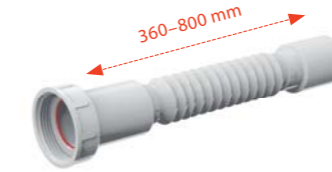
Quantity (packing)	50 pcs
Quantity (pallet)	800 pcs
Material	polypropylene

A780
Flexi pipe 6/4"×40/50 metal



Quantity (packing)	75 pcs
Quantity (pallet)	1200 pcs
Material	polypropylene

A791
Flexi pipe 6/4"×40 plastic



Quantity (packing)	100 pcs
Quantity (pallet)	1600 pcs
Material	polypropylene

A792
Flexi pipe 6/4"×40 metal



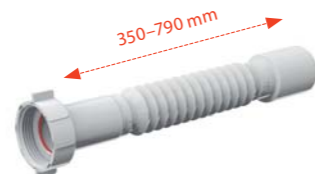
Quantity (packing)	100 pcs
Quantity (pallet)	1600 pcs
Material	polypropylene

A795
Flexi pipe 50/40×40



Quantity (packing)	100 pcs
Quantity (pallet)	1600 pcs
Material	polypropylene

A730
Flexi pipe 5/4"×40 plastic



Quantity (packing)	100 pcs
Quantity (pallet)	1600 pcs
Material	polypropylene

A740
Flexi pipe 5/4"×40 metal



Quantity (packing)	100 pcs
Quantity (pallet)	1600 pcs
Material	polypropylene

A793
Flexi pipe 6/4" with reduction to 5/4"×50/40 plastic



Quantity (packing)	75 pcs
Quantity (pallet)	1200 pcs
Material	polypropylene

A7990
Two-component seal 5/4" (10 pcs)



Quantity (packing)	10 pcs
Quantity (pallet)	–
Material	elastomer

A7991
Two-component seal 6/4" (10 pcs)



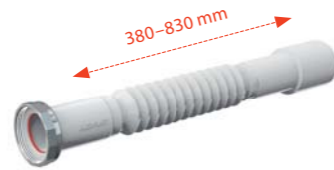
Quantity (packing)	10 pcs
Quantity (pallet)	–
Material	elastomer

A750
Flexi pipe 5/4"×32/40 plastic



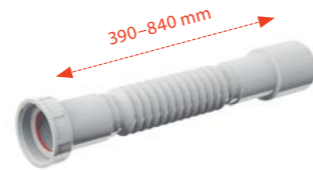
Quantity (packing)	100 pcs
Quantity (pallet)	1600 pcs
Material	polypropylene

A760
Flexi pipe 5/4"×32/40 metal



Quantity (packing)	100 pcs
Quantity (pallet)	1600 pcs
Material	polypropylene

A770
Flexi pipe 6/4"×40/50 plastic



Quantity (packing)	75 pcs
Quantity (pallet)	1200 pcs
Material	polypropylene

A7992
Two-component seal 1" (10 pcs)



Quantity (packing)	10 pcs
Quantity (pallet)	–
Material	elastomer

A7993
Flexi pipe holder (10 pcs)

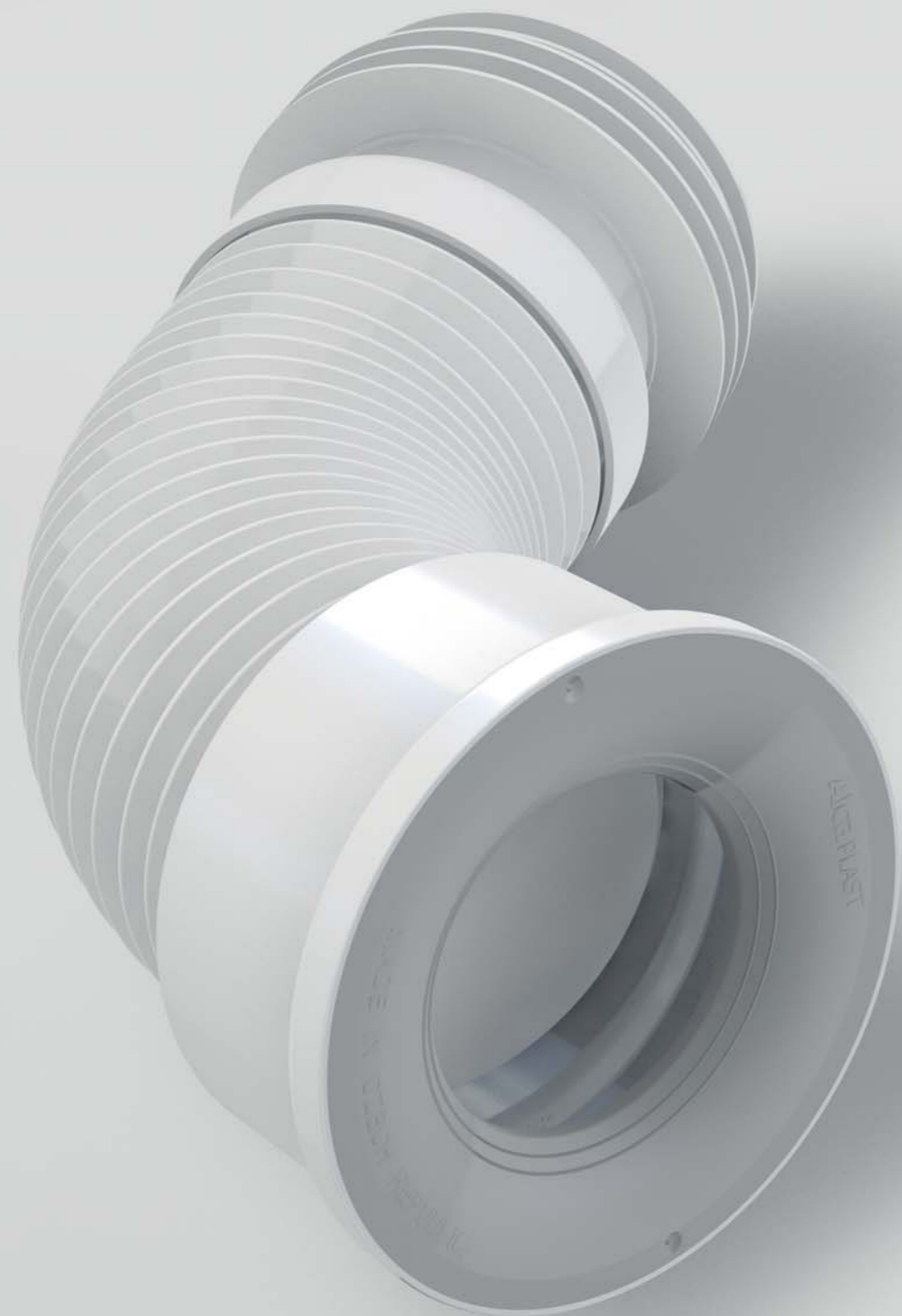


Quantity (packing)	10 pcs
Quantity (pallet)	– pcs
Material	polypropylene



WC accessories

WC flexi connectors	186
WC connectors	186
Air admittance heads	188
Bath access doors	189



A97
WC flexi connector



Quantity (packing)	20 pcs
Quantity (pallet)	320 pcs
Material	polypropylene

A97L
WC flexi connector



Quantity (packing)	20 pcs
Quantity (pallet)	320 pcs
Material	polypropylene

A97SN
WC flexi connector



Quantity (packing)	20 pcs
Quantity (pallet)	320 pcs
Material	polypropylene

A91-150
WC connector – length 150 mm



Quantity (packing)	30 pcs
Quantity (pallet)	480 pcs
Material	polypropylene

A91-250
WC connector – length 250 mm



Quantity (packing)	20 pcs
Quantity (pallet)	320 pcs
Material	polypropylene

A91-400
WC connector – length 400 mm



Quantity (packing)	15 pcs
Quantity (pallet)	240 pcs
Material	polypropylene

A970
WC flexi connector



Quantity (packing)	20 pcs
Quantity (pallet)	320 pcs
Material	polypropylene

M9006
Elbow waste connector DN90/110 flexi



Quantity (packing)	25 pcs
Quantity (pallet)	400 pcs
Material	polypropylene

A90-22
WC connector – Elbow 22°



Quantity (packing)	20 pcs
Quantity (pallet)	320 pcs
Material	polypropylene

A92
WC connector – eccentric



Quantity (packing)	30 pcs
Quantity (pallet)	480 pcs
Material	polypropylene

A98
WC rosette DN110 small



Quantity (packing)	75 pcs
Quantity (pallet)	1200 pcs
Material	polypropylene

A980
WC rosette DN110 big



Quantity (packing)	30 pcs
Quantity (pallet)	480 pcs
Material	polypropylene

A90-45
WC connector – Elbow 45°



Quantity (packing)	20 pcs
Quantity (pallet)	320 pcs
Material	polypropylene

A90-90
WC connector – Elbow 90°



Quantity (packing)	12 pcs
Quantity (pallet)	192 pcs
Material	polypropylene

A90-90P40
WC connector – Elbow 90° with connecting pitches DN40



Quantity (packing)	12 pcs
Quantity (pallet)	192 pcs
Material	polypropylene

A991
WC connector straight



Quantity (packing)	35 pcs
Quantity (pallet)	560 pcs
Material	polypropylene

A991-20
WC connector – eccentric 20 mm



Quantity (packing)	35 pcs
Quantity (pallet)	560 pcs
Material	polypropylene

A991-40
WC connector – eccentric 40 mm



Quantity (packing)	35 pcs
Quantity (pallet)	560 pcs
Material	polypropylene

A99
WC collar straight



Quantity (packing)	50 pcs
Quantity (pallet)	800 pcs
Material	PVC

A990
WC collar eccentric



Quantity (packing)	50 pcs
Quantity (pallet)	800 pcs
Material	PVC

APH40
Air admittance valve DN40



Quantity (packing)	75 pcs
Quantity (pallet)	2100 pcs
Material	polypropylene

APH50
Air admittance valve DN50



Quantity (packing)	50 pcs
Quantity (pallet)	1200 pcs
Material	polypropylene

APH75
Air admittance valve DN75



Quantity (packing)	50 pcs
Quantity (pallet)	800 pcs
Material	polypropylene

APH110
Air admittance valve DN110



Quantity (packing)	50 pcs
Quantity (pallet)	800 pcs
Material	polypropylene

AVD001
Bath access door 150x150, white



Quantity (packing)	60 pcs
Quantity (pallet)	760 pcs
Material	polypropylene

AVD002
Bath access door 150x300, white



Quantity (packing)	30 pcs
Quantity (pallet)	360 pcs
Material	polypropylene

AVD003
Bath access door 300x300, white



Quantity (packing)	16 pcs
Quantity (pallet)	96 pcs
Material	polypropylene

AVD004
Bath access door magnetic (under the tiles), adjustable height



Quantity (packing)	100 pcs
Quantity (pallet)	-
Material	metal

AVD005
Bath access door magnetic (under the tiles), basic



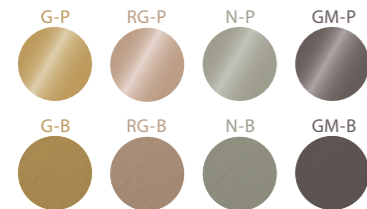
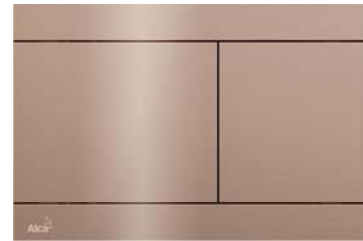
Quantity (packing)	100 pcs
Quantity (pallet)	-
Material	metal

Product lines

PROGRAM INDIVIDUAL

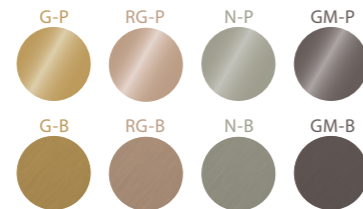
FUN-RG-P

Flush plate for pre-wall installation systems, RED GOLD-polished



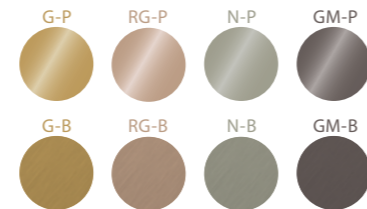
A400-RG-P

Wash-basin trap DESIGN DN32, RED GOLD-polished



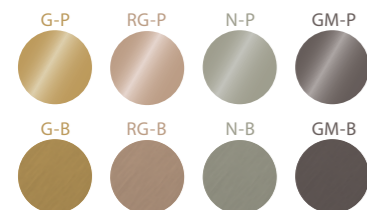
A392-RG-P

Wash-basin CLICK/CLACK waste 5/4" metal with overflow, big plug, RED GOLD-polished



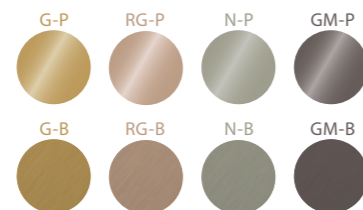
A55K-RG-P

Bath pop-up waste and trap, RED GOLD-polished



ARV001-RG-P

Angle valve with a filter 1/2"x3/8", RED GOLD-polished



CODES FOR COLOUR VARIANTS

G-P	Gold-polished
G-B	Gold-brushed matt
RG-P	Red gold-polished
RG-B	Red gold-brushed matt
N-P	Nickel-polished
N-B	Nickel-brushed matt
GM-P	Gun metal-polished
GM-B	Gun metal-brushed matt



INDIVIDUAL.

YOURS IN EVERY DETAIL

Perfect match

It is possible that we can match your personal taste with charming pink tones. Or you might prefer a dazzling gold colour? Maybe your natural match is the gun metal. No matter what you decide, you can always rely on certain things. The perfect colour fastness and the resistance to abrasion. And so even your bathroom can be brought to perfection in every last detail.

BLACK-MATT PROGRAM

APZ1BLACK
Shower drain with an edge for perforated grids, black-matt



APZ101BLACK Low
Shower drain with an edge for perforated grids, black-matt



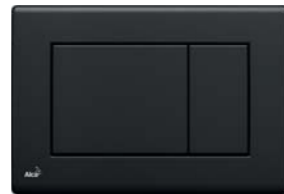
PURE BLACK
Grid for shower drain, black-matt



APZ10BLACK Simple N
Shower drain with an edge for perforated grids, black-matt



M278
Flush plate for pre-wall installation systems, black-matt



M578
Flush plate for pre-wall installation systems, black-matt



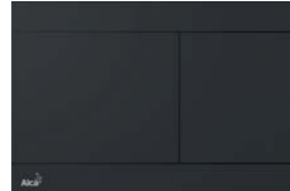
M678
Flush plate for pre-wall installation systems, black-matt



M778
Flush plate for pre-wall installation systems, black-matt/chrome-polished



FUN-BLACK N
Flush plate for pre-wall installation systems, inox-black matt



A400BLACK
Wash-basin trap DESIGN DN32, black-matt



A4320BLACK
Wash-basin trap "U" DN32, with coupling nut 5/4", black-matt



A4000BLACK
Extension piece DN32, black-matt



ARV001-BLACK
Angle valve with a filter 1/2"x3/8", black-matt



ARV003-BLACK
Angle valve with a filter 1/2"x1/2", black-matt



A392BLACK
Wash-basin CLICK/CLACK waste 5/4", metal with overflow, big plug black-matt



A465BLACK-50
Shower waste and trap CLICK/CLACK, black-matt



A49BLACK
Shower waste and trap, black-matt



A55BLACK
Bath pop-up waste and trap, black-matt



A507BLACK
Bath CLICK/CLACK waste and trap, black-matt



A564BLACK
Bath pop-up waste and trap, with overflow filler, black-matt



WHITE-POLISHED PROGRAM

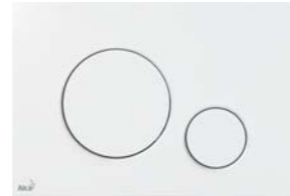
GL1200
GLASS – Grid for shower drain, glass-white



M570
Flush plate for pre-wall installation systems, white-polished



M670
Flush plate for pre-wall installation systems, white-polished



M770
Flush plate for pre-wall installation systems, white-matt/chrome-polished



M775
Flush plate for pre-wall installation systems, white-matt/gold-polished



A400B
Wash-basin trap DN32 DESIGN metal, round, white



A4000B
Extension piece DN32, white



ARV001B
Angle valve with a filter 1/2"x3/8", round, white



ARV003B
Angle valve with a filter 1/2"x1/2", round, white

A392B
Wash-basin CLICK/CLACK waste 5/4" metal with overflow, big white plug



A395B
Wash-basin CLICK/CLACK waste 5/4", metal without overflow, big white plug, for plastic and glass wash-basins



A47B-50
Shower waste and trap, white



A47B-60
Shower waste and trap, white



A49B
Shower waste and trap, white



A51B
Bath pop-up waste and trap, white



A51BM
Bath pop-up waste and trap, white



BRONZE-ANTIC PROGRAM

FUN-ANTIC
Flush plate for pre-wall installation systems, bronze-antic



DESIGN-ANTIC
Grid for shower drain, bronze-antic



MPV001-ANTIC
Design grid 102x102 mm bronze-antic



A400ANTIC
Wash-basin trap DESIGN DN32, bronze-antic



ARV001-ANTIC
Angle valve with a filter 1/2"x3/8", bronze-antic



ARV003-ANTIC
Angle valve with a filter 1/2"x1/2", bronze-antic



A392ANTIC
Wash-basin CLICK/CLACK waste 5/4" metal with overflow, big plug, bronze-antic



A49ANTIC
Shower waste and trap, bronze-antic



A55ANTIC
Bath pop-up waste and trap, bronze-antic



Product news 2021

A150-1/2"
Side inlet fill valve for ceramic WC cisterns

FROM II. Q



A150-3/8"
Side inlet fill valve for ceramic WC cisterns

FROM II. Q



A150P-1/2"
Side inlet fill valve for plastic WC cisterns

FROM II. Q



A150P-3/8"
Side inlet fill valve for plastic WC cisterns

FROM II. Q



A160-1/2"
Side inlet fill valve metal thread for ceramic WC cisterns

FROM II. Q



A160-3/8"
Side inlet fill valve metal thread for ceramic WC cisterns

FROM II. Q



A160P-3/8"
Side inlet fill valve metal thread for plastic WC cisterns

FROM II. Q



A150UNI
Side inlet fill valve, universal

FROM II. Q



A160UNI
Side inlet fill valve metal thread, universal

FROM II. Q



OVERVIEW OF SIDE FILL VALVES

Alcaplast is introducing new fill valves which will completely replace older versions.

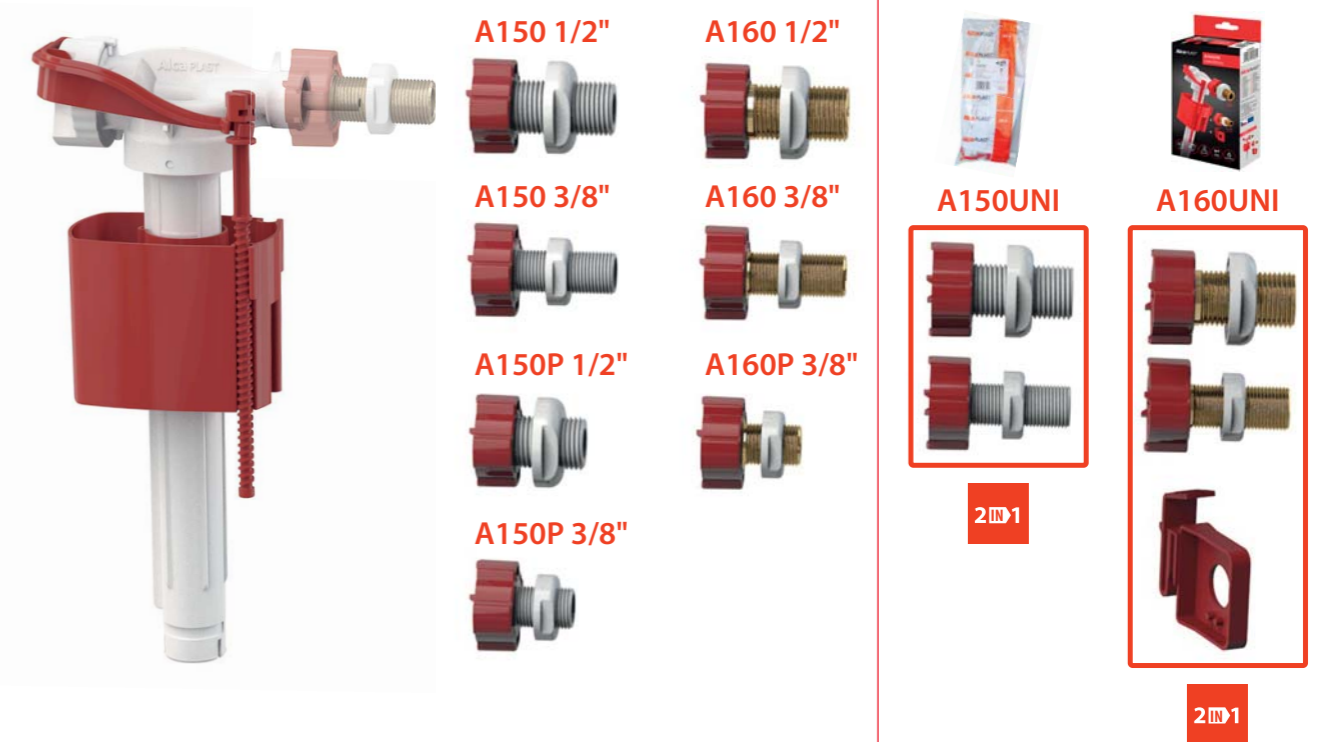
Old code	New code	Same price	Water connection	Thread material	Application		
A15-1/2"	A150-1/2"	same price	1/2"	plastic	ceramic cisterns		
A15-3/8"	A150-3/8"	same price	3/8"	plastic	ceramic cisterns		
A15P-1/2"	A150P-1/2"	same price	1/2"	plastic		plastic WC cisterns	
A15P-3/8"	A150P-3/8"	same price	3/8"	plastic		plastic WC cisterns	
A16-1/2"	A160-1/2"	same price	1/2"	metal*	ceramic cisterns		
A16-3/8"	A160-3/8"	same price	3/8"	metal**	ceramic cisterns		
A16P-3/8"	A160P-3/8"	same price	3/8"	metal**		plastic WC cisterns	WC systems
	A150UNI		1/2", 3/8"	plastic	ceramic cisterns	plastic WC cisterns	WC systems
	A160UNI		1/2", 3/8"	metal	ceramic cisterns	plastic WC cisterns	WC systems

N

N

* increase of the weight of the packing box from 15.8 kg to 17.4 kg
** increase of the weight of the packing box from 14.5 kg to 15 kg

ONE PRODUCT FOR ALL OPTIONS 7 thread variants + 2 universal packages



INNOVATION

NEW PRODUCTS

INNOVATION IN THE PRE-WALL INSTALLATION SYSTEMS ALCA



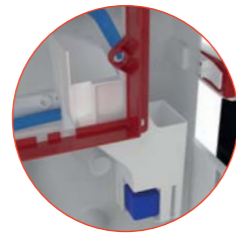
EASY LOCK – A SET FOR WALL MOUNTING



INSTALLATION HOLES



INNOVATION IN ATTACHMENT OF AN ANGLE VALVE TO THE CISTERN



WC TABLETS DISPENSER



NEW RELIABLE FILL VALVE



NEW CISTERN HANGING CLIPS WITH TWO-COMPONENT INSULATION



THREADED ROD WITH GROOVES

AM101/1120F Sádromodul

Pre-wall installation system for dry build up (plasterboard)



15
YEAR GUARANTEE

AM1101/1200 Sádromodul Slim

Pre-wall installation system for dry build up (plasterboard)



15
YEAR GUARANTEE

New Slim elbow waste connector

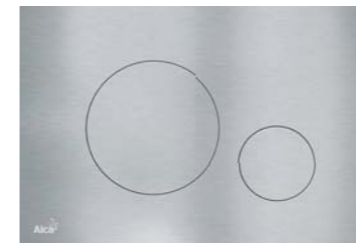
M968

Elbow waste connector set DN90 Slim

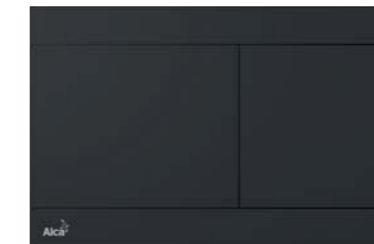


FLAT

FROM II. Q



TURN Alunox-matt
TURN-INOX Inox-semi matt



FUN-BLACK Inox-black matt

P169

Set for inserting WC tablets
Part of the standard WC system since 2021

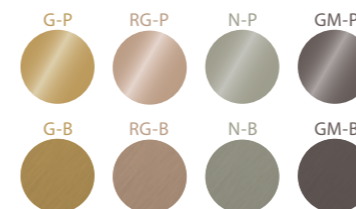
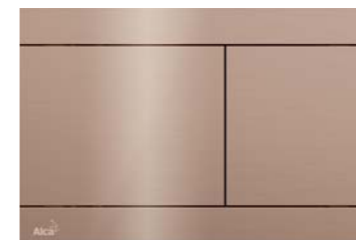


PROGRAM INDIVIDUAL

FUN-RG-P

Flush plate for pre-wall installation systems, RED GOLD-polished

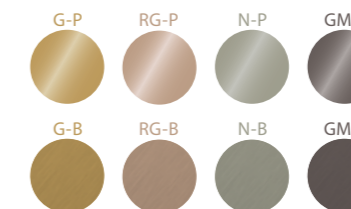
FROM II. Q



A400-RG-P

Wash-basin trap DESIGN DN32, RED GOLD-polished

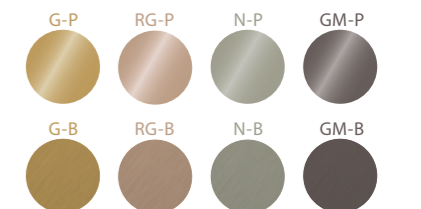
FROM II. Q



A392-RG-P

Wash-basin CLICK/CLACK waste 5/4" metal with overflow, big plug, RED GOLD-polished

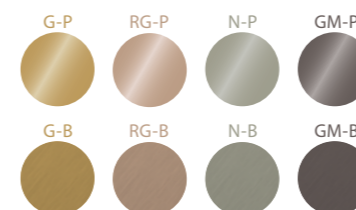
FROM II. Q



A55K-RG-P

Bath pop-up waste and trap, RED GOLD-polished

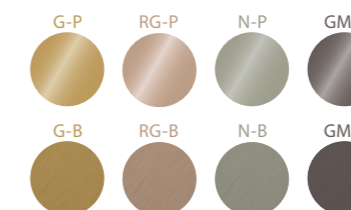
FROM II. Q



ARV001-RG-P

Angle valve with a filter 1/2"x3/8", RED GOLD-polished

FROM II. Q

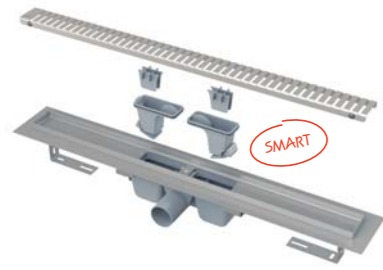


CODES FOR COLOUR VARIANTS

G-P	Gold-polished
G-B	Gold-brushed matt
RG-P	Red gold-polished
RG-B	Red gold-brushed matt
N-P	Nickel-polished
N-B	Nickel-brushed matt
GM-P	Gun metal-polished
GM-B	Gun metal-brushed matt

APZ1SMART-LINE

Shower drain with an edge for perforated grids (550, 650, 750 mm)



25
YEAR GUARANTEE

APZ13-DOUBLE9 Fit and Go

Shower drain (550, 650 mm)



25
YEAR GUARANTEE

APZ10BLACK Simple

Shower drain with an edge for perforated grids, black-matt (550, 650, 750, 850, 950 mm)



6
YEAR GUARANTEE

APZ30 Wall

Shower drain with an edge for perforated grids and fixed vertical flange to the wall (650, 750, 850 mm)



6
YEAR GUARANTEE

AVZ112-R102

Outdoor drain channel 60 mm with plastic frame and galvanized "C" profile grid A15

FROM II. Q



AVZ112-R501

Outdoor drain channel 60 mm with plastic frame and plastic grid A15

FROM II. Q



AVZ-P015

Connecting piece of outdoor drain channel AVZ112

FROM II. Q



AVZ-P016

Socket for connection to the waste pipe DN110

FROM II. Q



AVZ-P017

End cap to close the drain channel

FROM II. Q



AVZ-P018

Water stopper to cover the inlet DN40

FROM II. Q



A80-DN32

Pipe trap with coupling nut 5/4"



A97

WC flexi connector

FROM II. Q



A6550

WC seat Basic Antibacterial



A6551

WC seat Basic Antibacterial



P170

Hinges for A6550, A6551

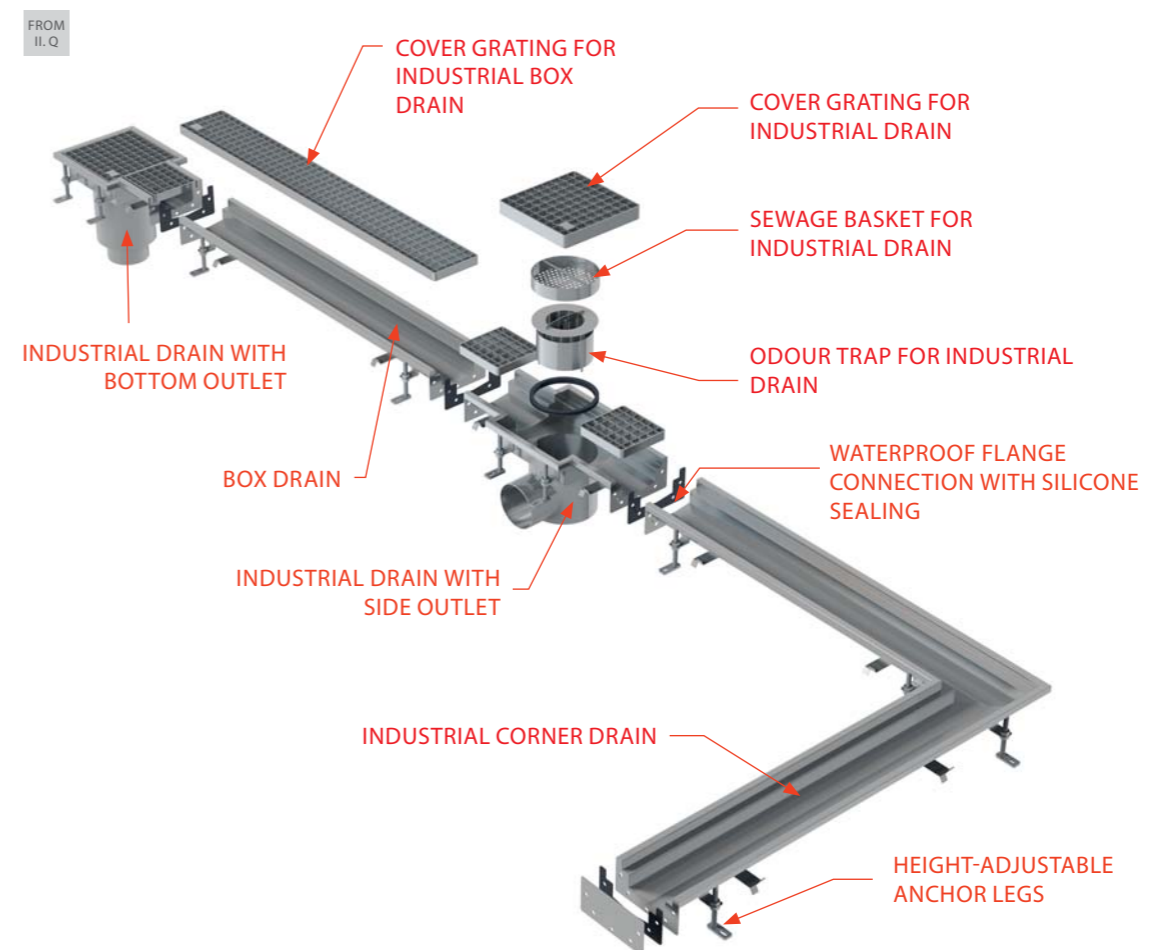


P179

Hinges for A64, A66, A67, pin 6 mm (since 2015)

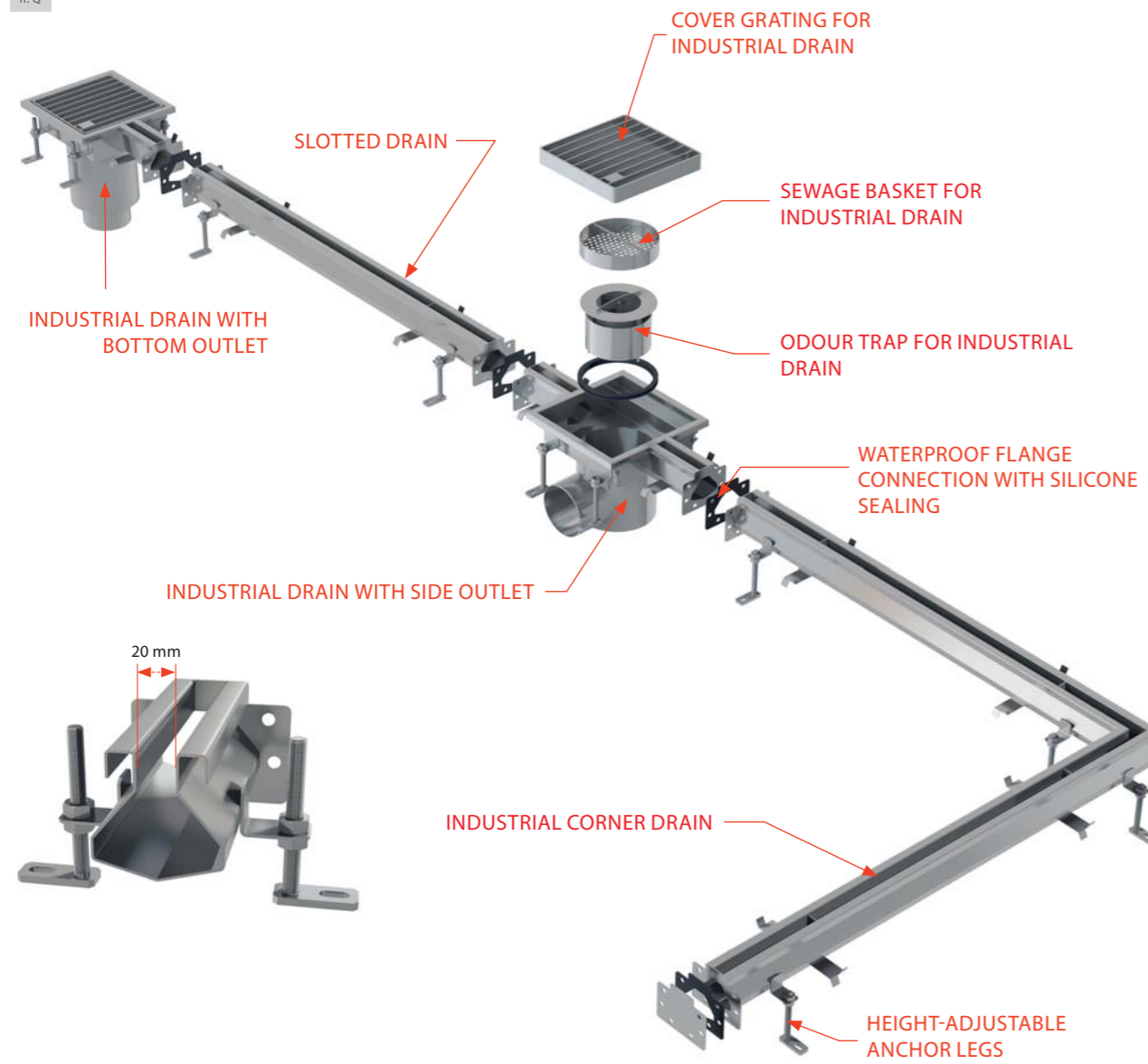


MODULAR SYSTEM OF INDUSTRIAL BOX DRAINAGE



MODULAR SYSTEM OF INDUSTRIAL SLOTTED DRAINAGE

FROM
II.Q



PM01006UNI-BLACK
Plexi stand for bath trap – A564BLACK



PM01006EN
Acrylic large stand for bathtub waste and traps



PM01007UNI-BLACK
Plexi stand for metal program



PM01003EN
Acrylic large stand for reduced shower wastes and traps



PM01005UNI
Acrylic stand for fill and flush valves



PM02015EN
Stand for plastic linear shower drains



PM03004UNI
Stand for WC seats



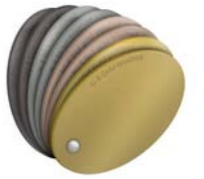
PM03008EN
Stand for outdoor drains



PM08001UNI
PVD material samples (box)



PM08002UNI
PVD material samples (fan)



PM01016EN
Paper stand for inlet fill valve



PM02027EN
Stand for APZ115 Marble Low



PM02016UNI-WHITE
Design grids sample book – APZ1/APZ6/APZ12



PM04021EN
Presentation board with flush plates



PM02022EN
Wooden stand for pre-wall installation system and flush plates



PM02023EN
Stand for APZ13 Fit and Go



PM02021EN
Stand for stainless steel linear shower drains



PM02004EN
Large stand for plastic linear shower drains



PM02002EN
Stand for plastic linear shower drains



Table of size variants for bath wastes and traps

L=570 ■ Hmax=370	L=800 ■ Hmax=600	L=1000 ■ Hmax=800	L=1200 ■ Hmax=1000
A501	-	-	-
A502	-	-	-
A51B	A51B-80	A51B-100	A51B-120
A51BM	A51BM-80	A51BM-100	A51BM-120
A51CR	A51CR-80	A51CR-100	A51CR-120
A51CRM	A51CRM-80	A51CRM-100	A51CRM-120
A553K	A553K-80	A553K-100	A553K-120
A553KM1	A553KM1-80	A553KM1-100	A553KM1-120
A55K	A55K-80	A55K-100	A55K-120
A55ANTIC	A55ANTIC-80	A55ANTIC-100	A55ANTIC-120
A55BLACK	A55BLACK-80	A55BLACK-100	A55BLACK-120
A55K-G-P	A55K-G-P-80	A55K-G-P-100	A55K-G-P-120
A55K-G-B	A55K-G-B-80	A55K-G-B-100	A55K-G-B-120
A55K-RG-P	A55K-RG-P-80	A55K-RG-P-100	A55K-RG-P-120
A55K-RG-B	A55K-RG-B-80	A55K-RG-B-100	A55K-RG-B-120
A55K-N-P	A55K-N-P-80	A55K-N-P-100	A55K-N-P-120
A55K-N-B	A55K-N-B-80	A55K-N-B-100	A55K-N-B-120
A55K-GM-P	A55K-GM-P-80	A55K-GM-P-100	A55K-GM-P-120
A55K-GM-B	A55K-GM-B-80	A55K-GM-B-100	A55K-GM-B-120
A55KM	A55KM-80	A55KM-100	A55KM-120
A504CKM	A504CKM-80	A504CKM-100	A504CKM-120
A507CKM	A507CKM-80	A507CKM-100	A507CKM-120
A516CKM	A516CKM-80	A516CKM-100	A516CKM-120
A507BLACK	A507BLACK-80	A507BLACK-100	A507BLACK-120
A505CRM	A505CRM-80	A505CRM-100	A505CRM-120
A505CKM	A505CKM-80	A505CKM-100	A505CKM-120

Lmax=230 ■ Hmax=400	Lmax=260 ■ Hmax=550	Lmax=280 ■ Hmax=750	Lmax=320 ■ Hmax=950
A550K	A550K-80	A550K-100	A550K-120
A550KM	A550KM-80	A550KM-100	A550KM-120

These products can be found on pages 144–150

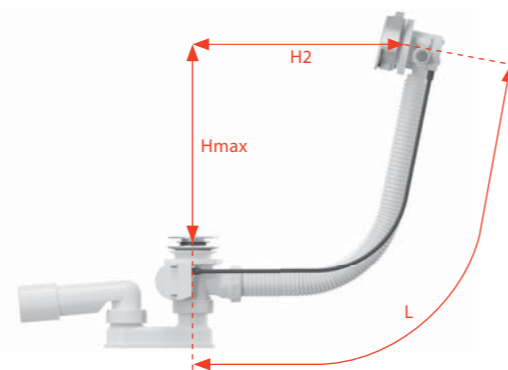
Table of size variants for bath wastes and traps with an overflow filler mechanism

L=570 ■ Hmax=370	L=800 ■ Hmax=600	L=1000 ■ Hmax=800	L=1200 ■ Hmax=1000
A508CKM	A508CKM-80	A508CKM-100	A508CKM-120
A509CKM	A509CKM-80	A509CKM-100	A509CKM-120
A564BLACK	A564BLACK-80	A564BLACK-100	A564BLACK-120
A564CRM1	A564CRM1-80	A564CRM1-100	A564CRM1-120
A564CRM2	A564CRM2-80	A564CRM2-100	A564CRM2-120
A564CRM3	A564CRM3-80	A564CRM3-100	A564CRM3-120
A564KM1	A564KM1-80	A564KM1-100	A564KM1-120
A564KM3	A564KM3-80	A564KM3-100	A564KM3-120
A565CRM1	A565CRM1-80	A565CRM1-100	A565CRM1-120
A565CRM2	A565CRM2-80	A565CRM2-100	A565CRM2-120
A565CRM3	A565CRM3-80	A565CRM3-100	A565CRM3-120
A565KM1	A565KM1-80	A565KM1-100	A565KM1-120
A565KM3	A565KM3-80	A565KM3-100	A565KM3-120
A566-112122-57	A566-112122-80	A566-112122-100	A566-112122-120
A566-273133-57	A566-273133-80	A566-273133-100	A566-273133-120

These products can be found on pages 150–152

Determining the length of ALCA bath wastes

Determining the necessary length of the bath waste for different bathtub models is very easy. The waste hole in the bottom of the tub and an the overflow opening in the wall of the tub are combined perpendiculars (Hmax and H2). By adding the perpendicular lines, then we get the desired waste length (L).



$H_{max} + H_2 = L$

Maximum bathtub wall thickness for each type of bath waste and trap

Bath wastes and traps	Bathtub wall thickness around the waste (mm)	Bathtub wall thickness around the overflow (mm)	Bath wastes and traps	Bathtub wall thickness around the waste (mm)	Bathtub wall thickness around the overflow (mm)
A501	13	10	A509CKM	10–18	4–16
A502	13	10	A564CRM1	2–10	10
A51B	2–10	10	A564CRM2	2–10	10
A51BM	2–10	10	A564CRM3	2–10	10
A51CR	2–10	10	A564KM1	2–10	10
A51CRM	2–10	10	A564BLACK	2–10	10
A553K	2–10	10	A564KM3	2–10	10
A553KM1	2–10	10	A565CRM1	10–18	12–26
A55K	2–10	10	A565CRM2	10–18	12–26
A55ANTIC	2–10	10	A565CRM3	10–18	12–26
A55BLACK	2–10	10	A565KM1	10–18	12–26
A55KM	2–10	10	A565KM3	10–18	12–26
A550K	2–10	10	A566-112122-57	2–10	10
A550KM	2–10	10	A566-112122-80	2–10	10
A504CKM	12	4–16	A566-112122-100	2–10	10
A507CKM	12	4–16	A566-273133-57	2–10	10
A516CKM	8	4–16	A566-112122-120	2–10	10
A507BLACK	12	4–16	A566-273133-80	2–10	10
A505CRM	12	4–16	A566-273133-100	2–10	10
A505CKM	12	4–16	A566-273133-120	2–10	10
A508CKM	2–10	4–16			

Table of variants for shower drains and grids

Width of the shower corner (mm)								
-	600	700	800	900	1000	1100	1200	1500

Linear shower drains: APZ1, APZ1BLACK, APZ101, APZ101BLACK, APZ1001, APZ1101, APZ4, APZ104, APZ1004, APZ1104, APZ2001, APZ12, APZ22, APZ2012, APZ2022

APZ1-300	APZ1-550	APZ1-650	APZ1-750	APZ1-850	APZ1-950	APZ1-1050	APZ1-1150	APZ1-1450
APZ1BLACK-300	APZ1BLACK-550	APZ1BLACK-650	APZ1BLACK-750	APZ1BLACK-850	APZ1BLACK-950	APZ1BLACK-1050	APZ1BLACK-1150	APZ1BLACK-1450
APZ101-300	APZ101-550	APZ101-650	APZ101-750	APZ101-850	APZ101-950	APZ101-1050	APZ101-1150	APZ101-1450
APZ101BLACK-300	APZ101BLACK-550	APZ101BLACK-650	APZ101BLACK-750	APZ101BLACK-850	APZ101BLACK-950	APZ101BLACK-1050	APZ101BLACK-1150	APZ101BLACK-1450
-	APZ4-550	APZ4-650	APZ4-750	APZ4-850	APZ4-950	APZ4-1050	APZ4-1150	-
-	APZ104-550	APZ104-650	APZ104-750	APZ104-850	APZ104-950	APZ104-1050	APZ104-1150	-
APZ1001-300	APZ1001-550	APZ1001-650	APZ1001-750	APZ1001-850	APZ1001-950	APZ1001-1050	APZ1001-1150	-
APZ1101-300	APZ1101-550	APZ1101-650	APZ1101-750	APZ1101-850	APZ1101-950	APZ1101-1050	APZ1101-1150	-
-	APZ1004-550	APZ1004-650	APZ1004-750	APZ1004-850	APZ1004-950	APZ1004-1050	APZ1004-1150	-
-	APZ1104-550	APZ1104-650	APZ1104-750	APZ1104-850	APZ1104-950	APZ1104-1050	APZ1104-1150	-
APZ2001-300	APZ2001-550	APZ2001-650	APZ2001-750	APZ2001-850	APZ2001-950	APZ2001-1050	APZ2001-1150	-
-	-	-	APZ12-750	APZ12-850	APZ12-950	APZ12-1050	-	-
-	-	-	APZ22-750	APZ22-850	APZ22-950	-	-	-
-	APZ2012-550	APZ2012-650	APZ2012-750	APZ2012-850	-	-	-	-
-	APZ2022-550	APZ2022-650	APZ2022-750	APZ2022-850	-	-	-	-

Grids for: APZ1, APZ1BLACK, APZ101, APZ101BLACK, APZ1001, APZ1101, APZ4, APZ104, APZ1004, APZ1104, APZ2001, APZ12, APZ22, APZ2012, APZ2022

LINE-300L	LINE-550L	LINE-650L	LINE-750L	LINE-850L	LINE-950L	LINE-1050L	LINE-1150L	LINE-1450L
LINE-300M	LINE-550M	LINE-650M	LINE-750M	LINE-850M	LINE-950M	LINE-1050M	LINE-1150M	LINE-1450M
PURE-300L	PURE-550L	PURE-650L	PURE-750L	PURE-850L	PURE-950L	PURE-1050L	PURE-1150L	PURE-1450L
PURE-300M	PURE-550M	PURE-650M	PURE-750M	PURE-850M	PURE-950M	PURE-1050M	PURE-1150M	PURE-1450M
PURE-300BLACK	PURE-550BLACK	PURE-650BLACK	PURE-750BLACK	PURE-850BLACK	PURE-950BLACK	PURE-1050BLACK	PURE-1150BLACK	PURE-1450BLACK
CUBE-300L	CUBE-550L	CUBE-650L	CUBE-750L	CUBE-850L	CUBE-950L	CUBE-1050L	CUBE-1150L	-
CUBE-300M	CUBE-550M	CUBE-650M	CUBE-750M	CUBE-850M	CUBE-950M	CUBE-1050M	CUBE-1150M	-
HOPE-300L	HOPE-550L	HOPE-650L	HOPE-750L	HOPE-850L	HOPE-950L	HOPE-1050L	HOPE-1150L	-
HOPE-300M	HOPE-550M	HOPE-650M	HOPE-750M	HOPE-850M	HOPE-950M	HOPE-1050M	HOPE-1150M	-
BUBLE-300L	BUBLE-550L	BUBLE-650L	BUBLE-750L	BUBLE-850L	BUBLE-950L	BUBLE-1050L	BUBLE-1150L	BUBLE-1450L
BUBLE-300M	BUBLE-550M	BUBLE-650M	BUBLE-750M	BUBLE-850M	BUBLE-950M	BUBLE-1050M	BUBLE-1150M	BUBLE-1450M
DREAM-300L	DREAM-550L	DREAM-650L	DREAM-750L	DREAM-850L	DREAM-950L	DREAM-1050L	DREAM-1150L	-
DREAM-300M	DREAM-550M	DREAM-650M	DREAM-750M	DREAM-850M	DREAM-950M	DREAM-1050M	DREAM-1150M	-

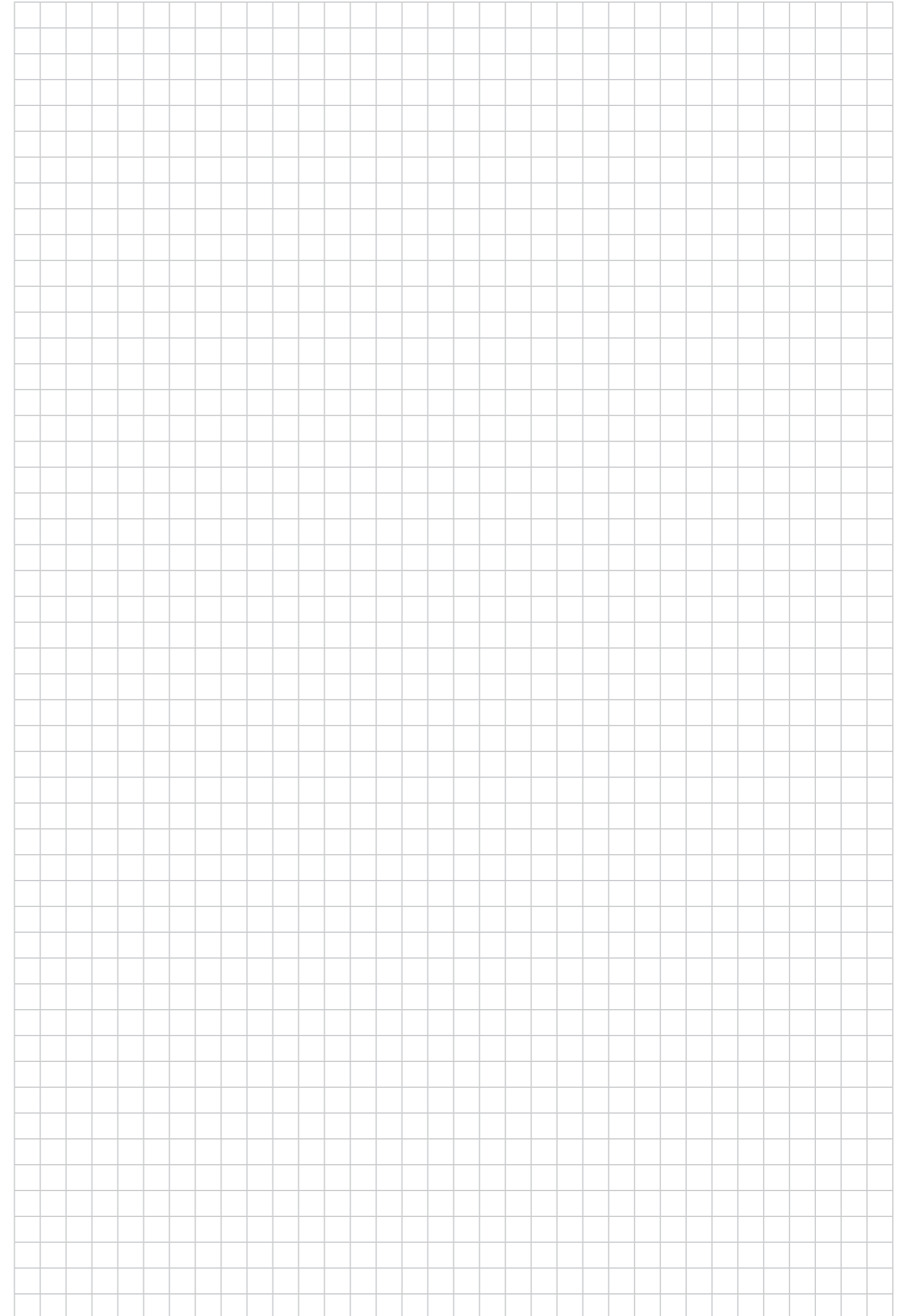
Grids for: APZ12, APZ22, APZ2012, APZ2022

-	TILE-550	TILE-650	TILE-750	TILE-850	TILE-950	TILE-1050	-	-
-	SOLID-550M	SOLID-650M	SOLID-750M	SOLID-850M	SOLID-950M	SOLID-1050M	-	-

APZ1SMART-LINE (grid is included)

APZ1SMART-LINE-550	APZ1SMART-LINE-650	APZ1SMART-LINE-750
--------------------	--------------------	--------------------

Code	Page	Code	Page
AVZ104R-R402	118	P096	70
AVZ112-R102	116, 200	P102	70
AVZ112-R501	116, 200	P103	24
AVZ-P001	126	P105	71
AVZ-P002	126	P105B	71
AVZ-P003	126	P106	70
AVZ-P004	126	P106B	71
AVZ-P008	126	P109	170
AVZ-P009	126	P113	71
AVZ-P010	126	P115	24
AVZ-P012	126	P118	26
AVZ-P013	126	P120	45
AVZ-P015	125, 200	P128	24
AVZ-P016	125, 200	P138	93
AVZ-P017	125, 200	P142	93
AVZ-P018	125, 200	P143	84, 89, 140
BUBLE	74, 76, 77, 88, 92, 93	P144	84, 89, 140
CODE	85	P145	84, 89, 140
CUBE	74, 76, 77, 92, 93	P148	174, 178
DESIGN	79	P148Z	174, 178
DESIGN-ANTIC	79, 195	P149Z	174, 178
DOUBLE	82, 83	P155Z	174, 179
DREAM	74, 76, 77, 92, 93	P156Z	174, 179
FLOOR	79	P157	71
FUN-ANTIC	195	P169	25, 199
FUN-BLACK	192	P170	71, 201
FUN-RG-P	190, 199	P179	71, 201
GAP	79	PM01003CZ	204
GL1200	79, 194	PM01005UNI	204
GL1202	79	PM01006CZ	204
GL1204	79	PM01006UNI-BLACK	204
GRACE	87	PM01007UNI-BLACK	204
HOPE	74, 76, 77, 92, 93	PM01016CZ	204
INSERT	85	PM02002CZ	205
LIFE	87	PM02004CZ	204
LINE	74, 75, 76, 77, 92, 93	PM02015CZ	205
LINE-550L	208	PM02016UNI-WHITE	204
M147	26	PM02021CZ	204
M148	26	PM02022CZ	204
M278	192	PM02023CZ	204
M570	194	PM02024CZ	204
M578	192	PM02027CZ	204
M670	194	PM03004UNI	205
M678	192	PM03008CZ	205
M770	194	PM04021CZ	204
M775	194	PM08002UNI	205
M778	192	POSH	79
M90	26	PURE	74, 76, 77, 92, 93
M900	25	PURE BLACK	75, 192
M9000	25	ROUTE	85
M9006	24, 186	S0156-ND	175
M901	26	S0506-ND	173
M902	26	S0507-ND	173
M906	25	S0556-ND	173
M907	25	S0688-ND	175
M908	25	SA08A 1/2" CHROM	56
M909	25	SA08A 3/8" CHROM	56
M91	27	SA08AK 1/2" CHROM	56
M910	27	SA08AK 3/8" CHROM	56
M910CR	27	SA08AS 1/2" CHROM	56
M918	26	SA08AS 3/8" CHROM	56
M920	27	SA08ASK 1/2" CHROM	56
M930	27	SA08ASK 3/8" CHROM	57
M930CR	27	SA2000 1/2" CHROM	55
M940	27	SA2000 3/8" CHROM	55
M950	27	SA2000K 1/2" CHROM	55
M968	25, 198	SA2000K 3/8" CHROM	55
MPO10	45	SA2000S 1/2" CHROM	55
MPO11	45	SA2000S 3/8" CHROM	55
MPO12	45	SA2000SK 1/2" CHROM	56
MPO13	45	SA2000SK 3/8" CHROM	56
MPV001	139	Sádromodul Slim	198
MPV001-ANTIC	195	SMILE	85
MPV001-ANTIC	139	SOLID	92, 93
MPV002	139	SPACE	85
MPV003	139	STREAM	85
MPV004	139	TILE	92, 93
MPV011	132	TIME	87
MPV012	132	TRITON	87
MPV013	132	V0011-ND	57
MPV014	132	V0015-ND	57
MPV015	132	V0018-ND	57
MPV016	132	V0296-ND	57
MS906	25	VIEW	87
N0020-ND	57	WC ALCA	24
P0009-ND	70	WC Alca MEDIC	24
P0014-ND	57	WC RIMFLOW	24
P0048-ND	174	WS ALCA	24
P0049-ND	174	Z0003-ND	175
P046	170	Z0004-ND	175
P047	170	Z0026-ND	175
P066-ND	159, 174	Z0137B-ND	71
P067-ND	170, 174	Z0952-ND	71
P095	89	ZIP	85



The Alcaplast team of specialists is always on hand to help with design, installation and quote project prices.

Czech producer
ISO 9001:2015

Edition 1/2021 EN, © Alca plast, s. r. o.
Changes in dimensions and designs reserved.



2011/305/EU including amendments
2014/30/EU including amendments
2014/35/EU including amendments
2011/65/EU including amendments

Alca PLAST[®]

CZECH REPUBLIC

Alca plast, s. r. o.
Bratislavská 2846, 690 02 Břeclav
tel.: +420 519 821 117 – Sales Dept. CZ
tel.: +420 519 821 041 – Export Dept.
fax: +420 519 821 083
e-mail: alcaplast@alcaplast.cz
www.alcaplast.com

