

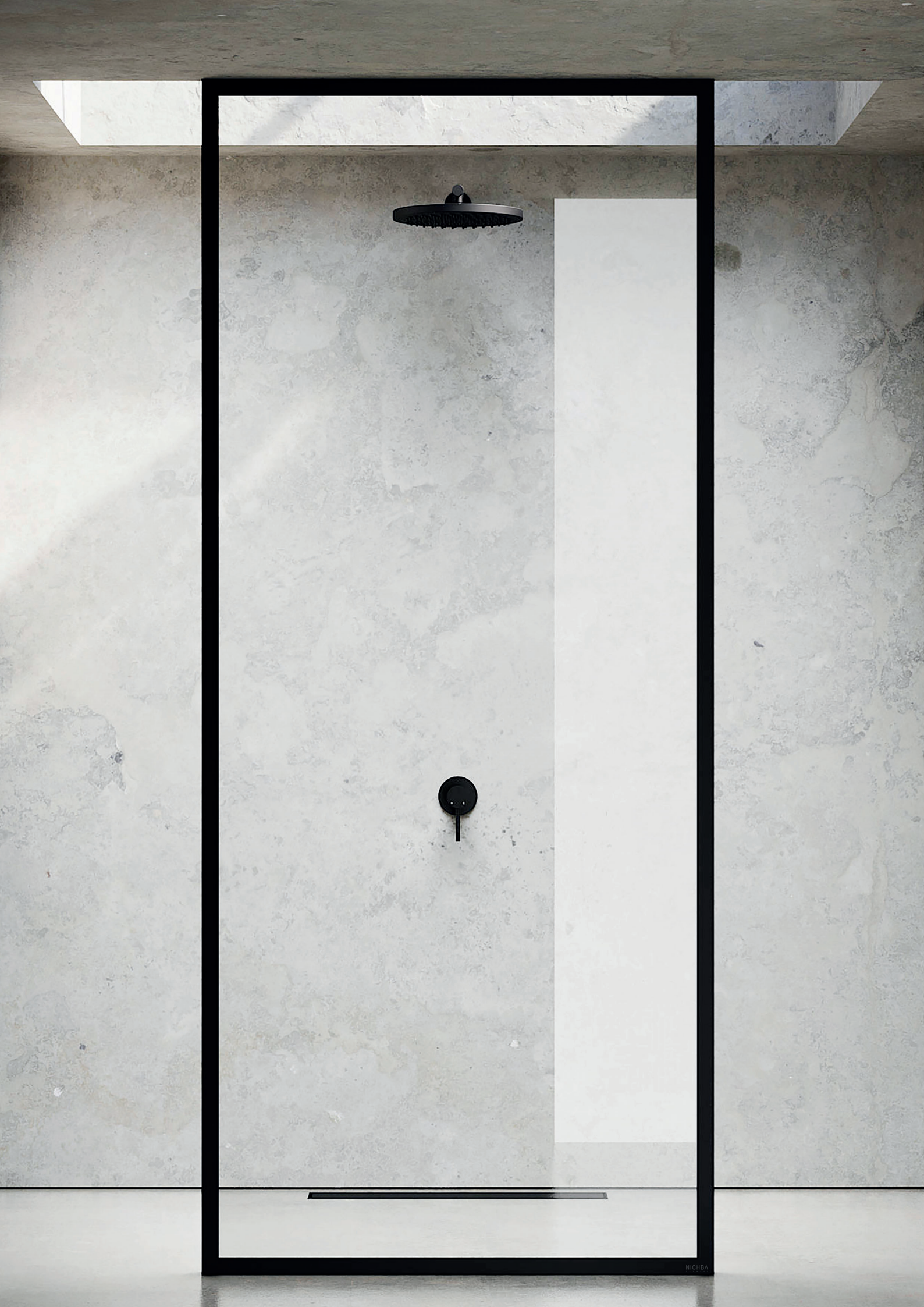


SHOWER DRAINS

ELEGANCE.



20
21





PURE BLACK.

THE CHARM OF DISCREET FUNCTIONALITY

**It could be said that what works perfectly
should no longer be possible to improve.
But we are still trying it.**

The current situation shows us that hygiene and cleanliness are more important than ever before. And our philosophy is that we want to indulge everyone in a real luxury.

Minimalist design and sophisticated, perfectly tuned functionality hidden under the surface. This is what unites ALCA brand products.



APZ6 Professional + grid GL1204

Stainless steel shower drain
with full glass grid



CONTENT.

12-25

Stainless steel shower drains ALCA

Brings revolutionary solutions both in cleaning and in water flow volume.



8-11

Grids for shower drains

They are made of top quality materials, that accentuate the innovative modern design.



22-25

Shower drain Fit and Go

Thanks to two-sided grid DOUBLE you have a choice of grid design after the shower drain installation. Shower drain, grid and odour trap, all in one package.



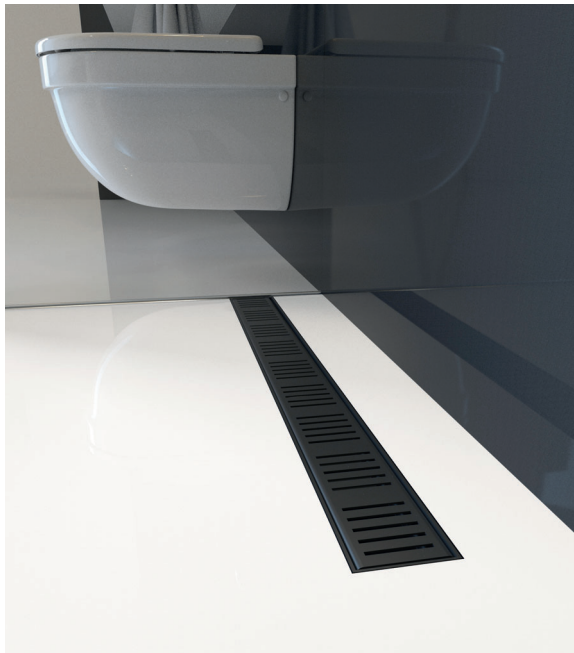


ONLINE CONFIGURATOR
www.alcaplast.com/selection-guide

26-33

Plastic linear shower drains ALCAPLAST

They are easy to clean and made of materials that resist low temperatures and chemicals. We now also offer the most popular plastic shower drain in black-matt finish or with fixed vertical flange to the wall.



**WE ARE INSPIRED
 BY YOUR DREAMS,
 NOW IT'S TIME
 TO FULFILL THEM**

Lets make it simple

We have launched a shower drain configurator on our website, which will significantly facilitate orientation in a wide portfolio of ALCA shower drains. You are able to quickly find a shower drain suitable for your bathroom by selecting the items in the configurator according to your preferences.

ALCA shower drains advantages	6-7
Grids ALCA	8-11
Linear shower drains ALCA	12-29
Floor drains APZ1, APZ4, APZ1BLACK, APZ6, APZ16	12-17
Shower drain APZ15.....	18-19
Waste system APZ5 Spa	20-21
Shower drain APZ13, APZ23	22-25
Plastic linear shower drains	26-31
Plastic linear shower drains with stainless steel edge.....	32-33
Stainless steel floor drains	34-35
Specifications of linear shower drains ALCA	36-37
Shower drains ALCA overview	38-45
Stainless steel shower drains for perforated grids	38
Stainless steel shower drains for full grids.....	39
Stainless steel shower drain APZ13, APZ23 Modular	40-41
Plastic linear shower drains	42-43
Waste system APZ5 and Antivandal system.....	44
Floor drains overview	45
Company Alcaplast	46-47



CERTAINTY FOR YOUR CONVENIENCE. ■

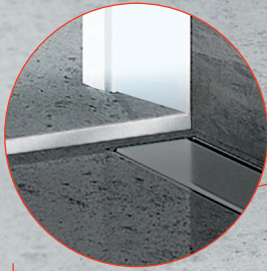
ADVANTAGES OF SHOWER DRAINS ALCA

HIGH
FLOW RATE
OF WATER
(up to 68 l/min)

COMPLETELY
CLEANABLE
TRAP

LOW
BUILD
HEIGHT
(from 55 mm)

We are the market leader in shower drains in Europe. Bet it safe and choose a reliable shower drain ALCA.



APZ901M/1000
Stainless steel strip for sloping floors.
Available in variants: left, right, two-sided.
Order together with the shower drain.

25
YEAR WARRANTY



APZ16 Wall + grid DESIGN
Shower drain with an edge and fixed vertical flange to the wall with full grid

GRIDS FOR LINEAR DRAINS

BEAUTY HAS MANY FORMS.












25
YEAR WARRANTY



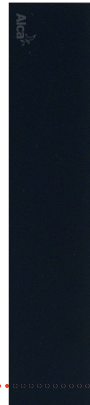




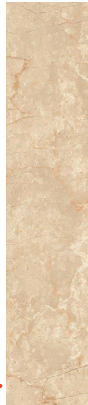












APZ6 Professional + grid POSH





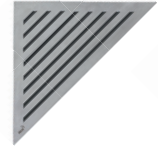
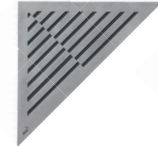
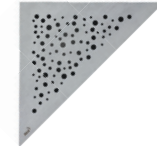
Stainless steel shower drain
with an edge and full grid

Grids for linear shower drains ALCA

	LINE stainless steel-polished/matt	PURE stainless steel-polished/matt	PURE BLACK black-matt	BUBLE stainless steel-polished/matt	HOPE stainless steel-polished/matt	DREAM stainless steel-polished/matt	CUBE stainless steel-polished/matt	SMILE stainless steel-polished/matt	CODE stainless steel-polished/matt	
PERFORATED GRIDS										
	STAINLESS STEEL	APZ1 APZ1SMART-LINE APZ101 APZ1001 APZ1101 APZ4 APZ104 APZ1004 APZ1104 APZ2001	APZ1 APZ101 APZ1001 APZ1101 APZ4 APZ104 APZ1004 APZ1104 APZ2001	APZ1BLACK APZ101BLACK	APZ1 APZ101 APZ1001 APZ1101 APZ4 APZ104 APZ1004 APZ1104 APZ2001 APZ11 APZ111 APZ1011 APZ1111	APZ1 APZ101 APZ1001 APZ1101 APZ4 APZ104 APZ1004 APZ1104 APZ2001	APZ1 APZ101 APZ1001 APZ1101 APZ4 APZ104 APZ1004 APZ1104 APZ2001	APZ1 APZ101 APZ1001 APZ1101 APZ4 APZ104 APZ1004 APZ1104 APZ2001	APZ13 APZ23	APZ1 APZ101 APZ1001 APZ1101 APZ4 APZ104 APZ1004 APZ1104 APZ2001
PLASTIC	APZ12 APZ2012 APZ22 APZ2022	APZ12 APZ2012 APZ22 APZ2022		APZ12 APZ2012 APZ22 APZ2022	APZ12 APZ2012 APZ22 APZ2022	APZ12 APZ2012 APZ22 APZ2022	APZ12 APZ2012 APZ22 APZ2022			APZ12 APZ2012 APZ22 APZ2022

	GL1200 glass-white	GL1202 glass-green	GL1204 glass-black	DESIGN SPACE SOLID stainless steel-matt stainless steel-matt	POSH stainless steel-matt	DESIGN-ANTIC bronze-antic	FLOOR INSERT TILE for embedding tiles	APZ15 for embedding tiles	DO stain for e	
FULL GRIDS										
	STAINLESS STEEL	APZ6 APZ106 APZ1006 APZ1106 APZ16 APZ116 APZ1016 APZ1116	APZ6 APZ106 APZ1006 APZ1106 APZ16 APZ116 APZ1016 APZ1116	APZ6 APZ106 APZ1006 APZ1106 APZ16 APZ116 APZ1016 APZ1116	DESIGN APZ6 APZ106 APZ1006 APZ1106 APZ16 APZ116 APZ1016 APZ1116 SPACE APZ13 APZ23	APZ6 APZ106 APZ1006 APZ1106 APZ16 APZ116 APZ1016 APZ1116	APZ6 APZ106 APZ1006 APZ1106 APZ16 APZ116 APZ1016 APZ1116	FLOOR APZ6 APZ106 APZ1006 APZ1106 APZ16 APZ116 APZ1016 APZ1116 INSERT APZ13 APZ23	APZ15 APZ115	APZ1 APZ101 APZ1001 APZ1101 APZ4 APZ104 APZ1004 APZ1104 APZ2001
PLASTIC				SOLID APZ12 APZ2012 APZ22 APZ2022			TILE APZ12 APZ2012 APZ22 APZ2022			APZ12 APZ2012 APZ22 APZ2022

DE	ROUTE	ZIP	APZ8	APZ9	APZ10	APZ10BLACK	GAP	STREAM
less steel- shed/matt	stainless steel- polished/matt	stainless steel- polished/matt	stainless steel-matt	stainless steel-matt	stainless steel-matt	black-matt	stainless steel-matt	stainless steel-matt
								
13 23	APZ13 APZ23	APZ13 APZ23				N	PRISMATIC GRIDS	APZ13 APZ23
	APZ18		APZ8	APZ8	APZ10 APZ30	APZ10BLACK		

UBLE	APZ5-EDEN	APZ5-SHADE	APZ5-TWIN	LIFE	TIME	VIEW
less steel-matt/ embedding tiles	stainless steel- polished	stainless steel-matt	for embedding tiles	stainless steel-matt	stainless steel-matt	stainless steel-matt
						
	APZ5-EDEN	APZ5-SHADE	APZ5-TWIN	ARZ1		
13 Fit and Go 23 Fit and Vall						



ALMOST INFINITE PALETTE OF POSSIBILITIES

↓

Wide range of grids

Whether you let the grid stand out or whether you are a lover of minimalism and want the grid to be optically linked to the floor tiles, it's up to you. We offer a wide selection of interesting grids in various designs and materials. Let yourself be inspired.

↓

Perforated grids

Perforated grids ALCA are based on playful variations of geometric shapes. So you can easily choose the right one according to your taste. They are available in high gloss or brushed matt. The standard version is made of stainless steel with an option of even higher grade for aggressive environments such as swimming pools.

Full grids

The base of the grid consists of a U-profile made of stainless steel. On this U-Profile we can attach a solid plate of stainless steel, tempered glass, brass or artificial stone. With this wide range of surface options available, the full ALCA grid becomes a jewel of your bathroom.

↓

Grids for embedding tiles

Stainless steel grids are finished with a rough surface, which is designed for easy gluing tiles or waterproof wood.

Grid without edge for embedding tiles

We introduce the new stainless steel grid without edge for embedding tiles APZ15. This grid then becomes part of the tiling and fully merges with the rest of the bathroom.

↓

Prismatic grid

This solid stainless steel prismatic grid offers a novel alternative. The distinctive design stands out from the standard to become a true feature of your bathroom.

Two-sided grid DOUBLE

The grid DOUBLE gives the choice – either full stainless steel grid in the design SPACE or by simply rotating the grid INSERT for embedding tiles. You can make the final decision even after installation of the shower drain without any construction modifications. Two-sided grid DOUBLE offers both grid versions in one.



ONLINE CONFIGURATOR
www.alcaplast.com/selection-guide

SHOWER DRAIN
FOR A PERFORATED GRID

FAVORITE SHOWER DRAIN.



25
YEAR WARRANTY

60

LITERS/MIN

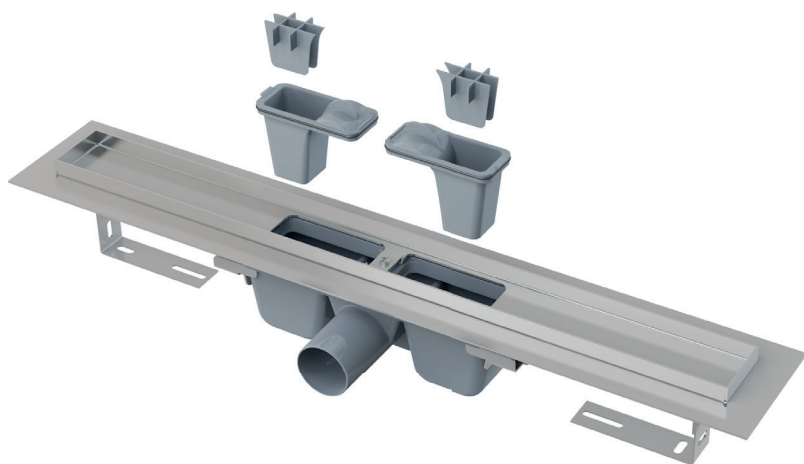


APZ1 + grid LINE
Stainless steel shower drain
with perforated grid

Variants of stainless steel shower drains for perforated grids

APZ1
APZ1SMART-LINE
APZ101 Low
APZ1001
APZ1101 Low
APZ4 Flexible
APZ104 Flexible Low
APZ1004 Flexible
APZ1104 Flexible Low
APZ2001

see p. 38

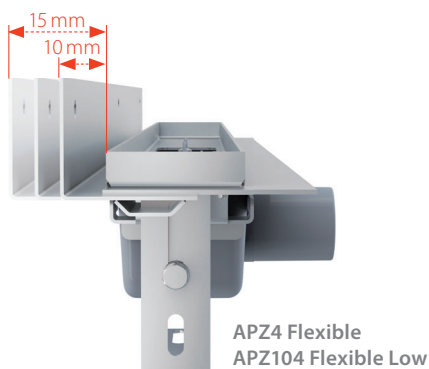
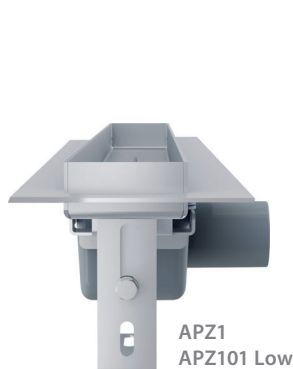
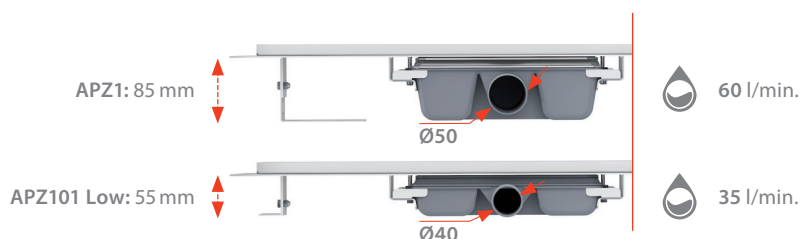


RELIABLE CHOICE MEETS ALL YOUR REQUIREMENTS



Shower drain APZ1 for perforated grids

Our designers have developed shower drains ALCA in various types, allowing a perfect fit into diverse bathroom styles. Delivering even more individuality to its owners. Stainless steel shower drain ALCA uses two drain outlet chambers with removable strainers. The lowest installation height for ALCA drains is from 55 mm to 85 mm. Height 55 mm is suitable for house renovations. Height 85 mm is ideal for new buildings.



Example of perforated grid



A variant to the wall APZ4 Flexible

Linear drains APZ4, APZ104 Low, APZ1004 and APZ1104 Low are designed to be installed directly to the wall of the shower enclosure. The vertical flange can be adjusted to suit wall tiles 6–12 mm in thickness. This eliminates the need to compensate for any differences in tile thickness with adhesive. Unlike other shower drains, the Flexible drain is attached to the wall using a vertical flange. It is then covered with a waterproofing tape and wall tiles. This ensures a higher grade of waterproofing. Grading the floor towards the wall is also easier.



APZ4 Flexible + grid BUBLE
Stainless steel shower drain with adjustable flange to the wall, with a perforated grid



ONLINE CONFIGURATOR
www.alcaplast.com/selection-guide

SHOWER DRAIN
FOR PERFORATED GRID BLACK-MATT

PURE
BLACK.

25
YEAR WARRANTY

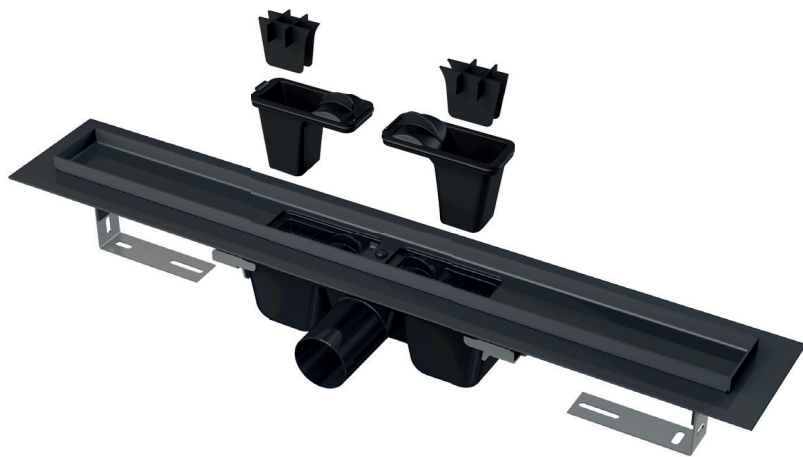
↓
APZ1BLACK + grid PURE BLACK

Stainless steel shower drain
in black-matt finish with perforated grid

**Variants of stainless
steel shower drains
black-matt**

APZ1BLACK
APZ101BLACK Low

see p. 38

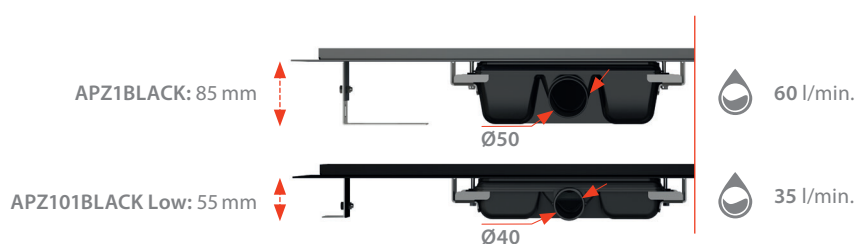


BLACK-MATT WILL HIGHLIGHT THE NEW LOOK OF YOUR BATHROOM



Shower drain APZ1BLACK in black-matt finish

Our linear shower drains APZ1 and APZ101 are now available in the modern black-matt finish, supplemented by PURE BLACK grid. We always think about details, that is why the odour trap is black as well. It merges fully with the grid and the shower drain.



BLACK

STYLISH FOREVER. ■



Comprehensive black-matt program

Black-matt program includes a number of other products:

- flush plates (M278, M578, M678, M778, FUN-BLACK)
- bath traps (A55BLACK, A507BLACK, A564BLACK)
- shower traps (A465BLACK-50, A49BLACK)
- wash-basin traps (A400BLACK, A4320BLACK, A392BLACK, A4000BLACK)
- angle valves (ARV001-BLACK, ARV003-BLACK)
- plastic shower drain (APZ10BLACK)

www.alcaplast.com/en/program-black-matt





ONLINE CONFIGURATOR
www.alcaplast.com/selection-guide

SHOWER DRAIN
FOR FULL GRID

ENDLESS POSSIBILITIES.

25
YEAR WARRANTY



APZ6 Professional
+ grid GL1200 + APZ903M/1200

Stainless steel shower drain with full glass grid
and stainless steel strip for sloped floor

AICA

**Variants of stainless
steel shower drains
for full grids**

APZ6 Professional
APZ106 Professional Low
APZ1006 Professional
APZ1106 Professional Low
APZ16 Wall
APZ116 Wall Low
APZ1016 Wall
APZ1116 Wall Low

see p. 39

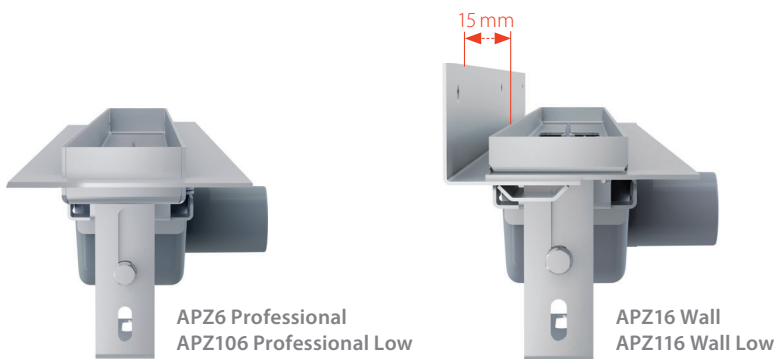
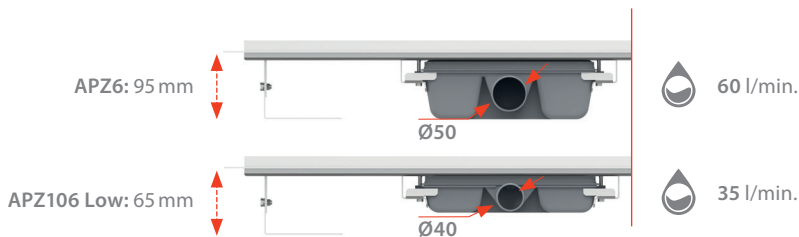


CHOICE OF 8 GRIDS

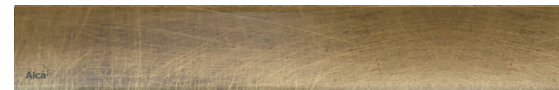


Shower drain APZ6 for full grids

As an alternative to perforated grids we offer a range of grid designs made of glass, massive prismatic grid or the popular grid for embedding tiles. They are designed for shower drains APZ6 or APZ16 Wall with fixed vertical flange to the wall.



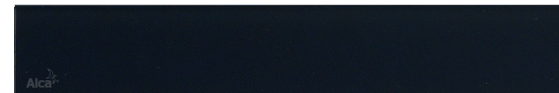
Full grid



Prismatic grid



Glass grid



Grid for embedding tiles



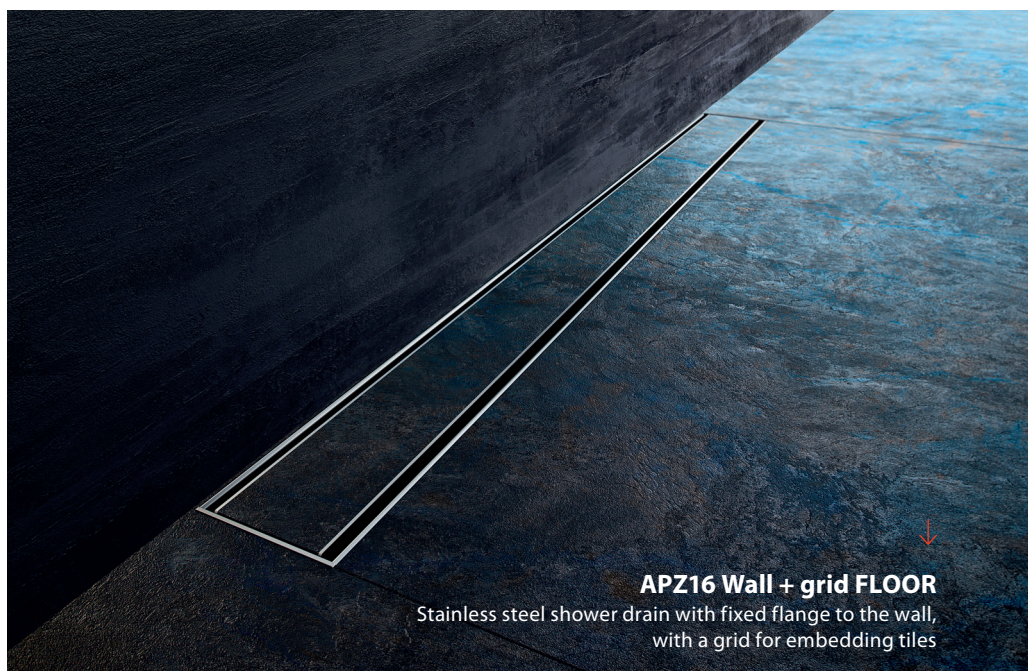
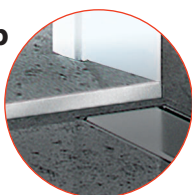
A variant to the wall APZ16 Wall

Linear shower drain APZ16 Wall combines the benefits of the linear drain APZ6 for full grids and vertical fixed flange to the wall. The vertical flange with a fixed distance of 15 mm from the shower drain body edge can suit wall tiles 6-12 mm in thickness.



Stainless steel strip for sloping floors

Available in variants: left, right, two-sided.



APZ16 Wall + grid FLOOR

Stainless steel shower drain with fixed flange to the wall, with a grid for embedding tiles



ONLINE CONFIGURATOR
www.alcaplast.com/selection-guide

SHOWER DRAIN WITHOUT EDGE
WITH GRID FOR EMBEDDING TILES

MERGES INTO ONE SURFACE.

25
YEAR WARRANTY

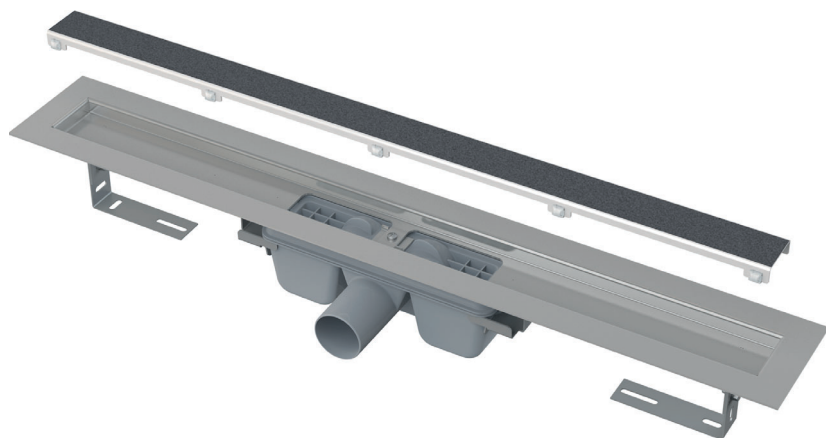
↓
APZ15 Marble

Shower drain without edge with grid
for embedding tiles

**Variants of stainless
steel shower drains
without edge**

APZ15 Marble
APZ115 Marble Low

see p. 39

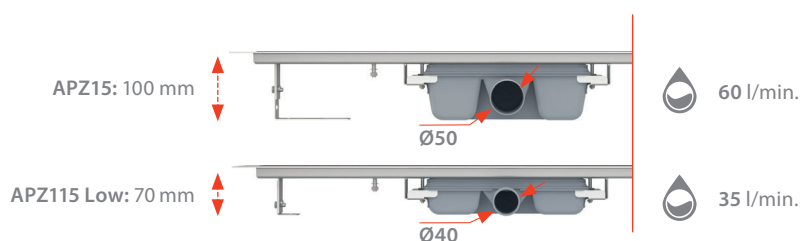


BOTH SHOWER DRAIN AND GRID WITHOUT EDGE



Shower drain without edge APZ15 and grid for embedding tiles

The new generation of stainless steel shower drains APZ15 is produced especially for design focused installations. The water is drained by two slots in the floor of the bathroom that hides the stainless steel shower drain. The overall finish is not interrupted by the edge of the grid.



Unlimited paving height

Thanks to the fact that the shower drain and grid have no edges, you are not limited in any way when choosing tiles. You can use the surface of any height, from ultra-thin large-format tiles to robust natural stone slabs.

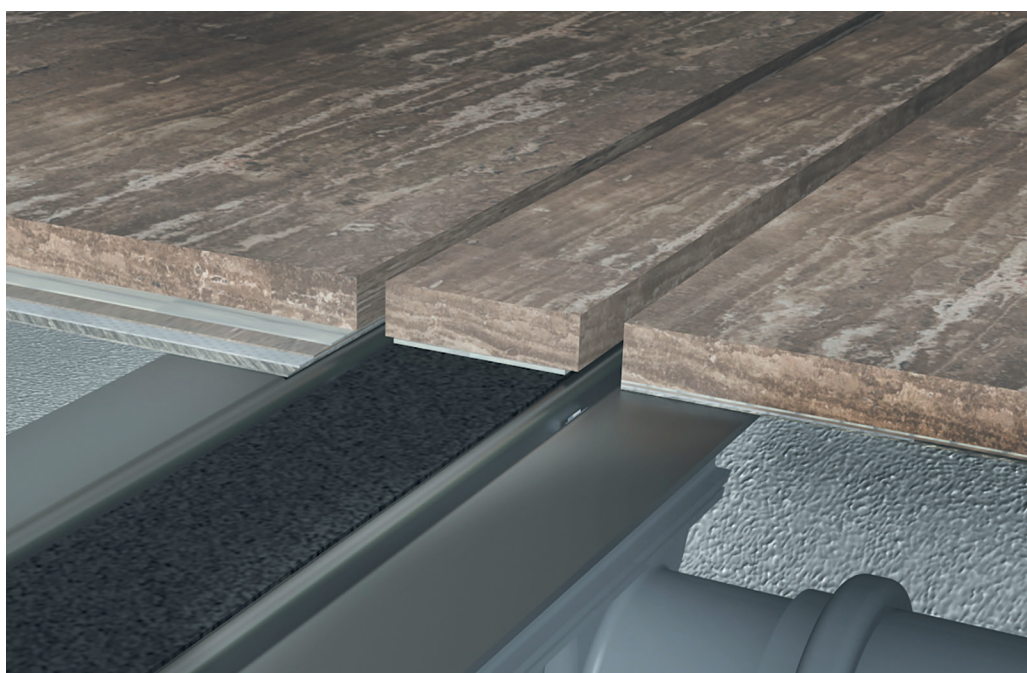


Pure design lines

We think that the great inventions may not be pompous. All the sophisticated and complex technical solutions remain hidden and all that is visible is simple and beautiful. Grid for embedding tiles is brilliant in its simplicity. It naturally merges with its surroundings.

Possibility of atypical lengths

Dimensions up to 2200 mm made in one piece.





ONLINE CONFIGURATOR
www.alcaplast.com/selection-guide

WASTE SYSTEM
FOR INSTALLATION IN WALL

PURE LINES.

25
YEAR WARRANTY



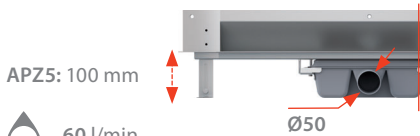
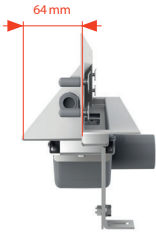
APZ5 Spa + cover SHADE

Stainless steel waste system for installation in wall with full cover Installation depth: 64 mm

Variants of waste systems

APZ5-EDEN Spa
APZ5-SHADE Spa
APZ5-TWIN Spa

see p. 44



EXCEPTIONAL SOLUTION THAT WILL LIGHT UP EVERY SPACE



Waste system for installation in walls

The system is particularly suitable for areas with greater frequency of use, such as swimming pools, spas and wellness centers. The cover panel can be chosen in a gloss or matt finish, or it can be embedded with tiles that blend perfectly with your shower. Water flows into the drain only between the edge of the floor tiles and the cover of the drain system.



APZ5-EDEN Spa

Cover stainless steel-polished



APZ5-SHADE Spa

Cover stainless steel-mat



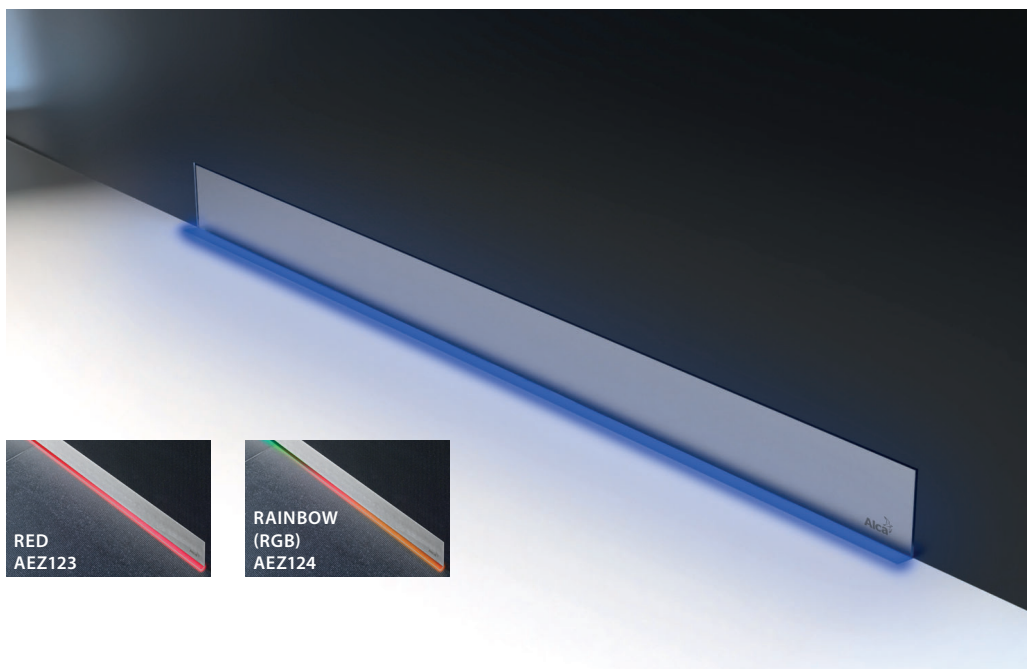
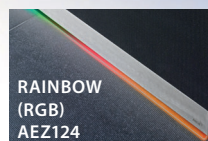
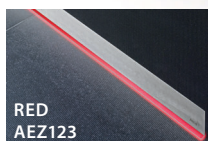
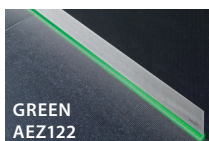
APZ5-TWIN Spa

Cover for embedding tiles



Drain ALCA LIGHT with lighting

ALCA LIGHT is a LED illuminated waste system APZ5 Spa. It brings pleasant subdued lighting that enhances the function and design of your bathroom.



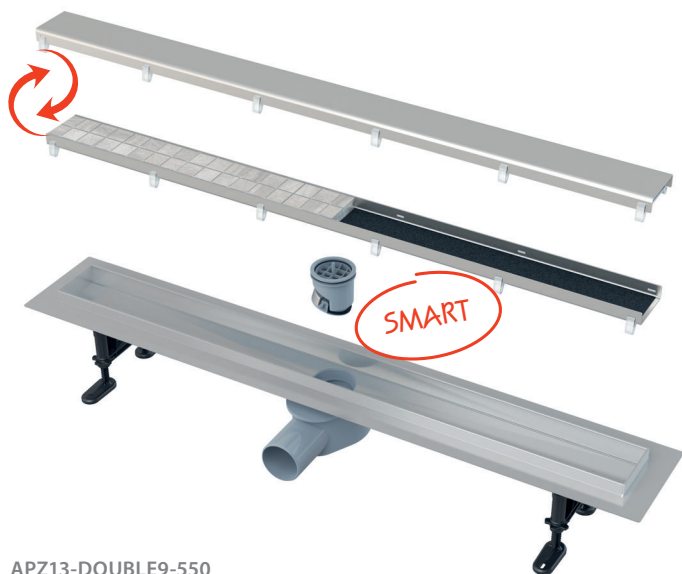
Available in colors: white, green, red, rainbow and blue

FIT AND GO. ■

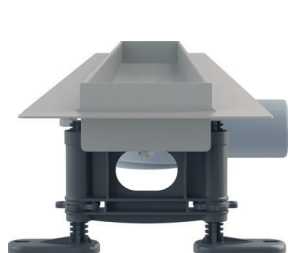
The Alca logo, featuring a stylized bird icon above the brand name "Alca" with a registered trademark symbol.

↓
APZ13-DOUBE9 Fit and Go + grid DOUBLE

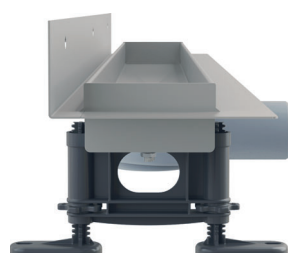
Stainless steel shower drain
with two-sided grid



N APZ13-DOUBLE9-550
APZ13-DOUBLE9-650



APZ13-DOUBLE9 Fit and Go



APZ23-DOUBLE9 Fit and Go Wall

ONE GRID OFFERING TWO POSSIBILITIES OF USE



Shower drain APZ13-DOUBLE9 Fit and Go

Thanks to double-sided grid DOUBLE offers the choice of grid design even after the shower drain installation - you can choose between full stainless steel grid and grid for embedding tiles.

Two-sided grid DOUBLE



ALL IN PACKAGE

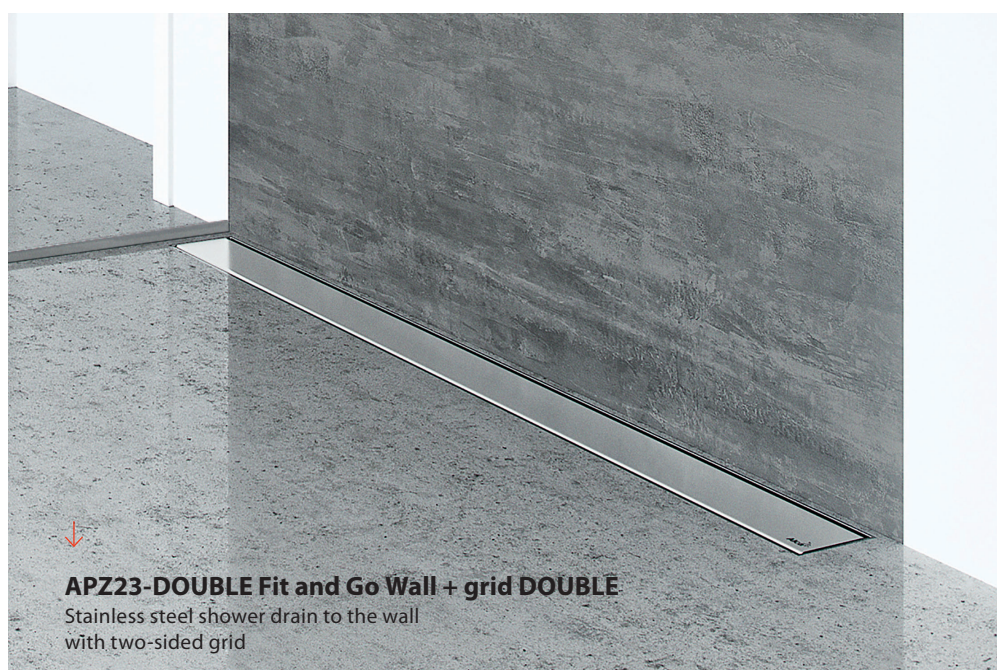


A variant of the wall APZ23-DOUBLE9 Fit and Go Wall

Recently we have added a version with a fixed vertical flange for placement to the wall.



ALL IN PACKAGE



APZ23-DOUBLE9 Fit and Go Wall + grid DOUBLE

Stainless steel shower drain to the wall with two-sided grid



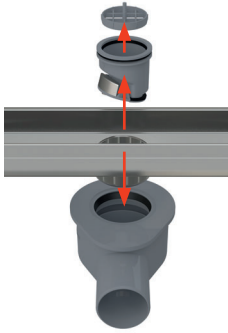
Adjustable drain height

Individually adjustable anchor legs ensure trouble free installation, even when faced with significant unevenness of the underlying surface.



Combined odour traps

The new combined odour traps for shower drain APZ13 protect against the penetration of odours from the sewer even after drying of the water in the trap.



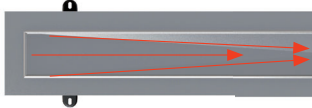
Cleanable odour trap

The water odour trap is fitted with a screen that catches hair and other debris. Moreover, the screen is easily removable for trap cleaning without the use of chemicals. Removal of the screen permits the use of standard tools for clearing obstructed pipes.



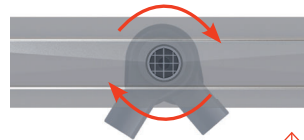
One piece construction with smooth finish

The body of shower drain ALCA is precisely rounded and surface finished using the latest technology designed, developed and built by ALCA engineers. Form, finish and design enhance the users overall shower experience.



Sloping inner gradient

We have introduced a gradient toward the outflow. This ensures maximum water flow rate and simplifies manual cleaning.



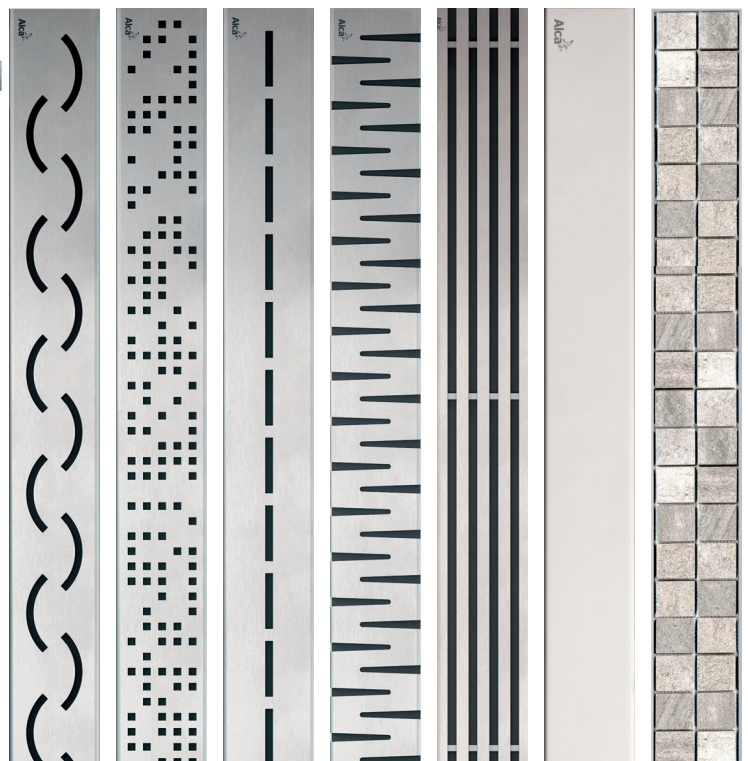
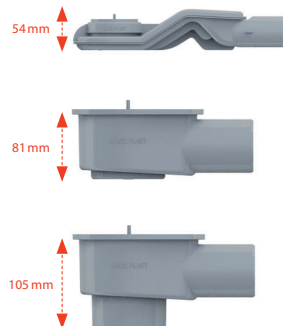
Rotatable trap

Horizontal rotary trap provides unlimited possibilities for drain pipe connection in all directions. In addition, you do not need any other add-on fittings during the installation.



Modular system

Introducing APZ13 Modular and APZ23 Modular Wall. The set consists of three basic components, which are the shower drain body, the odour trap and the grid. The shower drain body is made of one piece of stainless steel with in built gradient, and you can choose three lengths – 750, 850 and 950 mm. The odour trap is rotatable and we offer three height variants. The main difference is in the construction height and the associated flow rate. The high odour trap with a flow rate 58 l/min is ideal for new buildings and wherever there is sufficient space. The low and extra-low profiles are determined for the places where it is needed to save space. You can choose from perforated grids or full grids, grids for embedding tiles and prismatic grids.



For more information see p. 41



REAL LUXURY IS A POSSIBILITY OF CHOICE ■

What is the real innovation?

In principle it is something that will simplify the work and bring more comfort. We follow this motto exactly when developing the design and technology of our products.

We are pleased that thanks to this approach some of our products have already become bestsellers and we believe that the novel – shower drain Fit and Go – will join them.

This is for two reasons.

It is a comprehensive solution that includes everything you need, and as a plus leaves you the choice of the grid design until the last moment, to finish the appearance of your bathroom.





ONLINE CONFIGURATOR
www.alcaplast.com/selection-guide

PLASTIC LINEAR SHOWER DRAIN

AFFORDABLE STYLE.



APZ12 Optimal + grid CUBE
Shower drain with perforated grid

Variants of plastic shower drains

APZ8 Simple
APZ9 Simple
APZ10 Simple
APZ12 Optimal

see p. 42–43



EACH SPACE DESERVES A FUNCTIONAL SOLUTION



Plastic linear shower drains

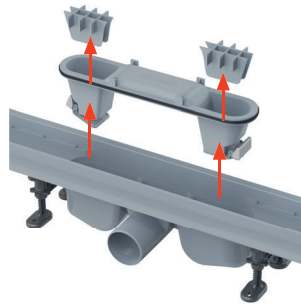
They are made of highly durable plastic that resists frost and chemicals. All have a combined odour trap that protects against the penetration of odours from the sewer even after drying of the water in the trap or double compartment trap with high water flow rate (APZ12). For easy cleaning the trap can be completely disassembled up to the waste pipe.



30 l/min



63 l/min



Shower drains Simple APZ8, APZ9 and APZ10

The basic model of plastic shower drain series features low building height of 62 mm which is particularly suitable for reconstructions and other builds, where there is a problem with a lack of space in the floor.



Grid APZ8 Simple



Grid APZ9 Simple



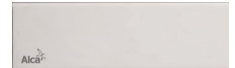
Grid APZ10 Simple



Shower drain APZ12 Optimal

Shower drain suitable as an economical solution to projects and other places where it is required to comply with different standards. It has a sloped inner gradient and a double compartment odour trap with a simple cleaning ability and flow rate up to 63 l/min. We guarantee you that your bathroom will not be flooded even if installing large format shower head with high water flow. We offer perforated grids, full grids or grids for embedding tiles or water-resistant wood, they are not included in the package.

Grids for APZ12 Optimal





ONLINE CONFIGURATOR
www.alcaplast.com/selection-guide

PLASTIC LINEAR SHOWER DRAIN

NEW

MODERN, AVAILABLE



↓

APZ10BLACK Simple

Shower drain in black-matt finish with perforated grid



TRADITIONAL PLASTIC SHOWER DRAIN IN THE NON-TRADITIONAL LOOK CONCEPTION



LINEAR PLASTIC SHOWER DRAIN APZ10BLACK

You can now brighten up your bathroom with a plastic shower drain in black-matt finish. Resistant surface treatment ensures long life and easy maintenance.



30 l/min



Grid APZ10 BLACK



ALL IN PACKAGE



Comprehensive offer in black-matt (www.alcaplast.com/en/program-black-matt)



PURE BLACK



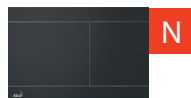
APZ1BLACK



APZ101BLACK Low



APZ10BLACK Simple



FUN-BLACK



M778



M678



M578



M278



A4000BLACK



A4320BLACK



A4000BLACK



ARV001-BLACK



ARV003-BLACK



A392BLACK



A465BLACK-50



A49BLACK



A507BLACK



A55BLACK



A564BLACK



ONLINE CONFIGURATOR
www.alcaplast.com/selection-guide

PLASTIC LINEAR SHOWER DRAIN
WITH A FIXED VERTICAL FLANGE TO THE WALL

NEW

EVEN MORE OPTIONS.



↓

APZ30WALL
Linear plastic shower drains with
a fixed vertical flange to the wall



BESTSELLER IN NEW VERSION TO WALL



Linear plastic shower drain APZ30 Wall with a fixed vertical flange to the wall

The traditional plastic shower drain APZ10 Simple is now available with a fixed flange to the wall as APZ30 Wall. Choose the solution that best suits your needs – to the wall or into the space.



Grid APZ30 Wall



ALL IN PACKAGE



Advantages of placing the shower drain to the wall

A shower drain placed to the wall will provide reliable and discreet service. It will allow your pavement to better stand out and highlight the elegance of the shower enclosure. Easier floor sloping in a single direction is just an extra bonus.

For all types of tiles

The vertical flange with a fixed distance of 16 mm from the shower drain body edge can suit wall tiles of 6–12 mm in thickness.

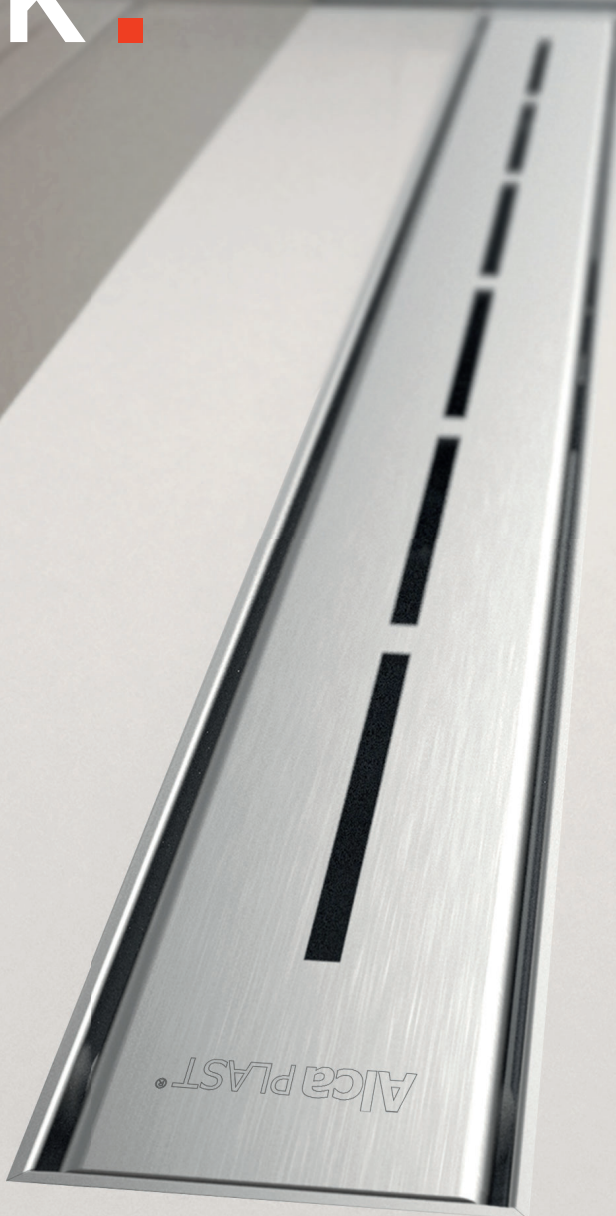




ONLINE CONFIGURATOR
www.alcaplast.com/selection-guide

PLASTIC LINEAR SHOWER DRAIN
WITH A STAINLESS STEEL EDGE

HARMONIZED LOOK.



APZ18 Simple
Shower drain with a stainless
steel edge and perforated grid

**Variants of plastic
shower drains with
stainless steel edge**

APZ18 Simple
APZ22 Optimal
APZ2022 Optimal

see p. 43

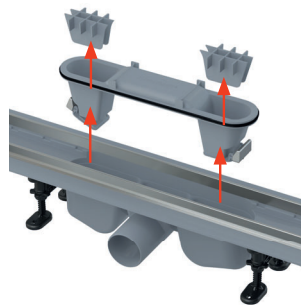


THE ECONOMIC VARIANT 2 IN 1 FOR THE PERFECT LOOK



Plastic linear shower drains with stainless steel edge

The optimal price quality ratio present an economical solution in segment of shower drains. The grid and the edge of plastic shower drain are made of high quality stainless steel. Other plastic parts of the shower drain and odour trap remain hidden in the floor.



Shower drain APZ18 Simple with stainless steel edge

Due to the low installation height of 62 mm plastic shower drain APZ18 is particularly suitable for reconstruction of residential buildings. They are made of highly durable plastic that resists frost and chemicals.



ALL IN PACKAGE

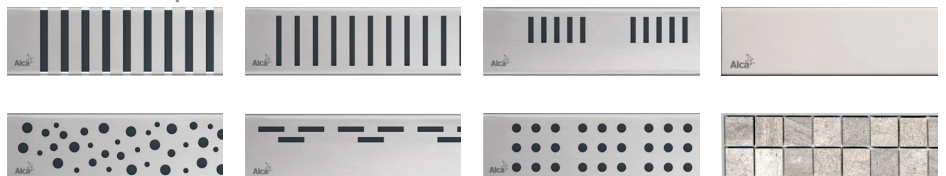
Grid APZ18 Simple



Shower drain APZ22 Optimal with stainless steel edge

Shower drain APZ22 is based on a standard drain APZ12 but it is complemented by a stainless steel edge. The plastic shower drain edge is completely covered by stainless steel. Shower drain APZ22 represents the best choice in plastic drains. It combines a perfect look, superior parameters and a wide selection of grids.

Grids for APZ22 Optimal





ONLINE CONFIGURATOR
www.alcaplast.com/selection-guide

STAINLESS STEEL FLOOR DRAIN

BEAUTY ENDURES.

25
YEAR WARRANTY

↓
APV110
+ grid MPV013
Floor drain stainless steel extra-low with full grid

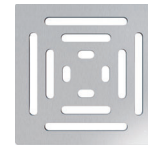
Variants of stainless steel floor drains

APV110
APV120
APV130

see p. 45



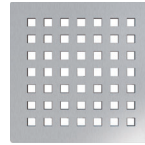
MPV011



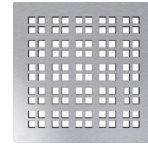
MPV012



MPV013



MPV014



MPV015

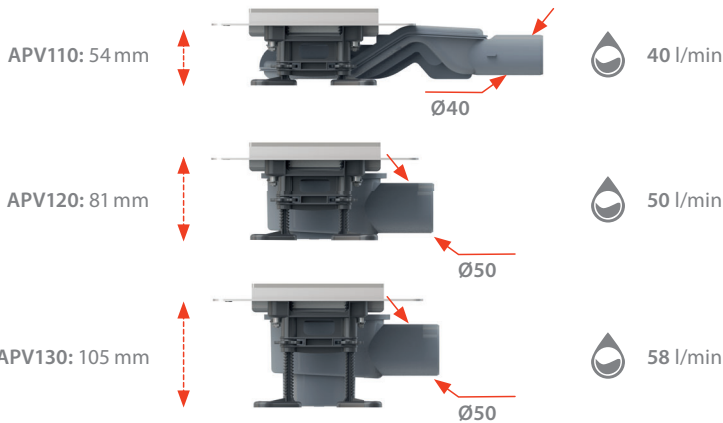


MPV016



Pinnacle of floor drain design

This new model of indoor drainage system was created as an alternative to our classic stainless steel shower drains. It gives customers another interesting option of bathroom drainage, while maintaining superior technical features and exceptional modern design. For those who prefer floor drains, or who for various reasons can not use shower drains, then these stainless steel floor drains are a clear choice.



Luxury in stainless steel

ALCA stainless steel floor drains are designed and developed to meet the high demands of modern bathroom design. Visible components are produced by precision manufacturing techniques from a single piece of stainless steel, ensuring a clean finish with no imperfections. This design provides a compact unit suitable for all kinds of modern bathrooms. Stainless steel floor drains combine highly functional technical elements with clean design.



Alternative grid designs

You can choose from three types of grid for floor drains and simply influence their final appearance. The most popular option is the use of floor drain grid into which you can embed tiles and let the drain naturally blend with the bathroom floor. The second type is a full grid made of one solid piece of stainless steel, which in conjunction with the drain's body, has a very compact appearance. The third option is a perforated stainless steel grid, produced by precision water jet cutting ensuring a perfect fit into the body of the drain.



Three height options of odour traps

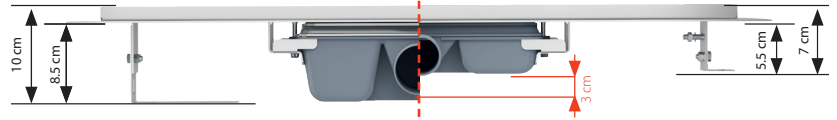
Three types of odour traps can cope with any variation in mounting height. The extra-low option of trap, with a height of 55 mm, permits use in areas with minimum floor height whilst maintaining required water flow rate. All three types of traps are designed to be easily cleaned without chemicals and do not require complicated installation and maintenance.

SPECIFICATIONS OF ALCA SHOWER DRAINS

Low installation height

Low installation height:

from 55 mm for drains with an outlet pipe diameter of 40 mm (suitable for renovations).
from 85 mm for drains with an outlet pipe diameter of 50 mm (suitable for new buildings).



25 Year Warranty

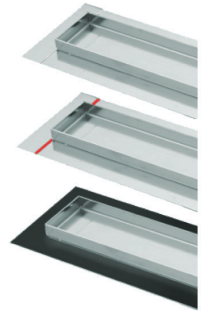
Material used: Stainless Steel DIN 1.4301.

Treatments of materials employed:

Pickling and passivation, electrochemical polishing.

Protection against dirt during installation:

The collar and trap are protected by foil, and the channel itself by a styrofoam insert.



High flow rate (up to 68 l/min)

Maximum water flow rate:

68 l/min for drains with an outlet pipe diameter of 50 mm.
44 l/min for drains with an outlet pipe diameter of 40 mm.

Two traps in one: The high flow rate achieved by the double compartment trap system.

Standard: EN 1253-1

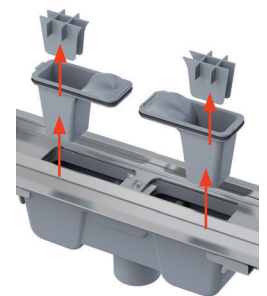


Completely cleanable trap

Material: polypropylene

Construction: 2 outlet compartments, 2 removable inlet parts and 2 protective grid traps.

Cleanability: The protective grid trap will catch most of the dirt, but by removing it and the inlet part you can clean the drain all the way to the waste pipe.



Combined dry odour trap

Optional accessories for stainless steel shower drains

For areas such as recreation facilities, utility rooms and premises with seasonal use the problem associated with the possibility of drying out of the water trap can be eliminated by installation of a combined odour trap.

■ **P095** for stainless steel shower drains APZ1, APZ4, APZ5, APZ6, APZ15, APZ16, APZ11, APZ1001, APZ1004, APZ1006, APZ1016, ARZ1



If there is no water flow through the waste, the flaps remain closed and even when the water seal dries out they still prevent odours rising from the sewer.



In normal use the flaps open and close to allow the water to drain out.

■ **P143, P144, P145** for stainless steel shower drain APZ13, APZ23





Complete package includes all accessories

Complete package includes all accessories:

- Shower drain pre-assembled with a trap
- Installation set (bolts, plugs)
- Waterproofing tape
- Protective foil covering for the collar and inlet pipe, and protective insert for drainage channel



Tailor made solutions available

Length range: 300–2,200 mm for a single section. Lengths greater than 2,200 mm can be achieved by connecting sections as required.

Height variants: Different edge heights and depths of the drainage channel can be supplied on request.

Odour trap: Can be positioned wherever the customer wishes. Depending on the water flow, more than one trap can be used in a single drain.

Material: Standard stainless steel DIN 1.4301. For aggressive environments (swimming pools) stainless steel DIN 1.4404.

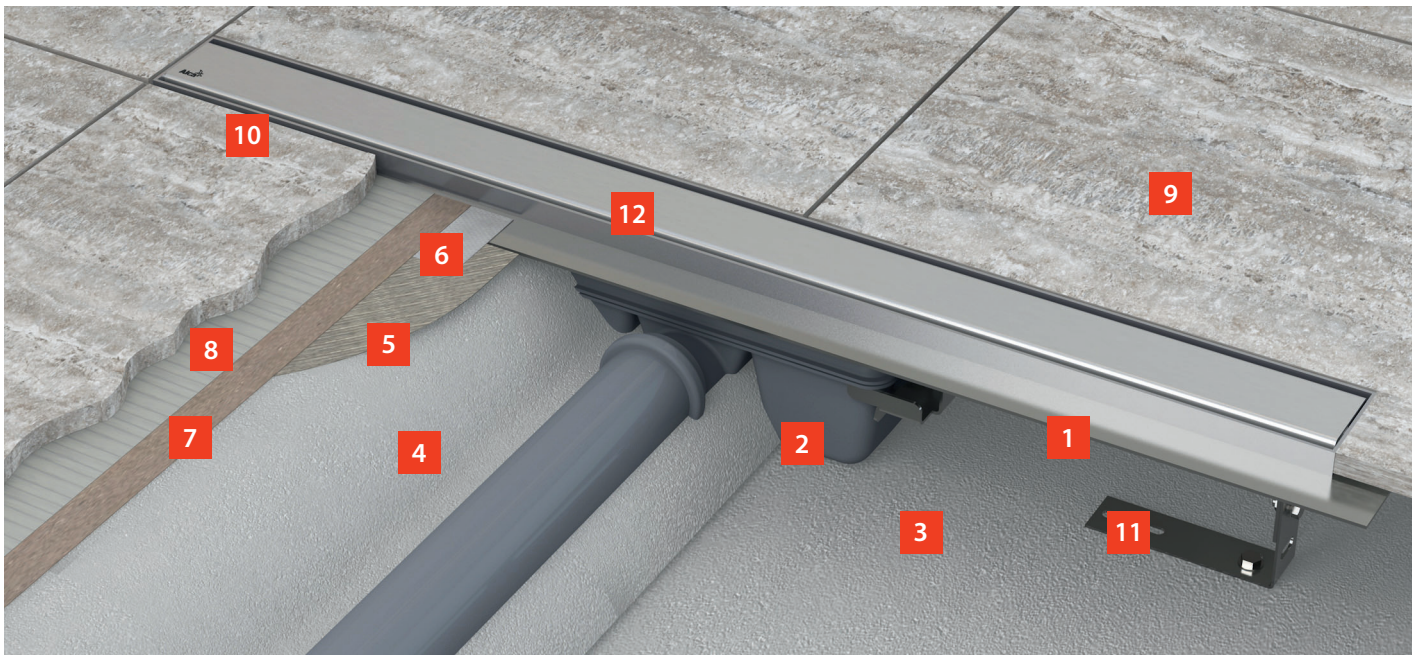


Maintenance

Grid maintenance

To maintain a perfect look, clean the system at least once a month. Do not use sharp objects or abrasives for cleaning as that can damage the surface of the grid.

Video tutorial on www.alcaplast.com



- 1 shower drain ALCA
- 2 odour trap
- 3 foundation slab

- 4 concrete screed
- 5 primer coat
- 6 waterproofing tape

- 7 waterproofing material
- 8 adhesive
- 9 tiles

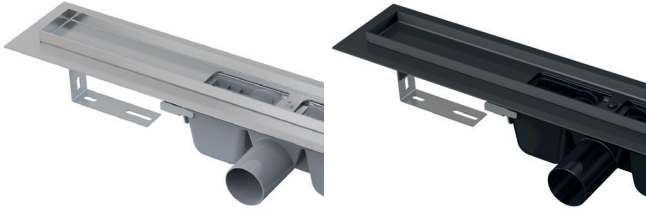
- 10 flexible filler
- 11 installation legs
- 12 grid ALCA

STAINLESS STEEL LINEAR SHOWER DRAIN

For a perforated grid

APZ1, APZ101 Low, APZ1BLACK, APZ101BLACK Low

Shower drain with an edge for perforated grid (300, 550, 650, 750, 850, 950, 1050, 1150, 1450 mm)
Atypical lengths upon request.



APZ1: 85 mm		∅ DN50		60 l/min.
APZ101: 55 mm		∅ DN40		35 l/min.
APZ101BLACK: 55 mm				

APZ1001, APZ1101 Low

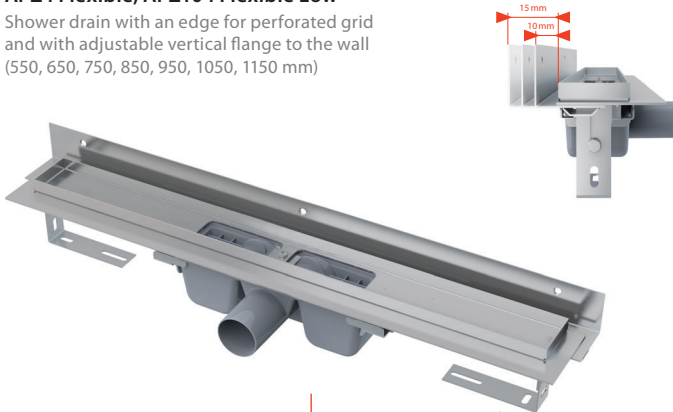
Shower drain with an edge for perforated grid, bottom outlet (300, 550, 650, 750, 850, 950, 1050, 1150, 1450 mm)
Atypical lengths upon request.



APZ1001: 85 mm		∅ DN50		68 l/min.
APZ1101: 55 mm		∅ DN40		44 l/min.

APZ4 Flexible, APZ104 Flexible Low

Shower drain with an edge for perforated grid and with adjustable vertical flange to the wall (550, 650, 750, 850, 950, 1050, 1150 mm)



APZ4: 85 mm		∅ DN50		60 l/min.
APZ104: 55 mm		∅ DN40		35 l/min.

APZ1004 Flexible, APZ1104 Flexible Low

Shower drain with an edge for perforated grid with an adjustable vertical flange to the wall, bottom outlet (550, 650, 750, 850, 950, 1050, 1150 mm)



APZ1004: 85 mm		∅ DN50		68 l/min.
APZ1104: 55 mm		∅ DN40		44 l/min.

LINE



HOPE



PURE



PURE BLACK



BUBLE



CUBE



DREAM



APZ1SMART-LINE

Shower drain with an edge for perforated grid (550, 650, 750 mm)



APZ2001

Shower drain with an edge for perforated grid, without an odour trap (300, 550, 650, 750, 850, 950, 1050, 1150 mm)
Atypical lengths upon request.



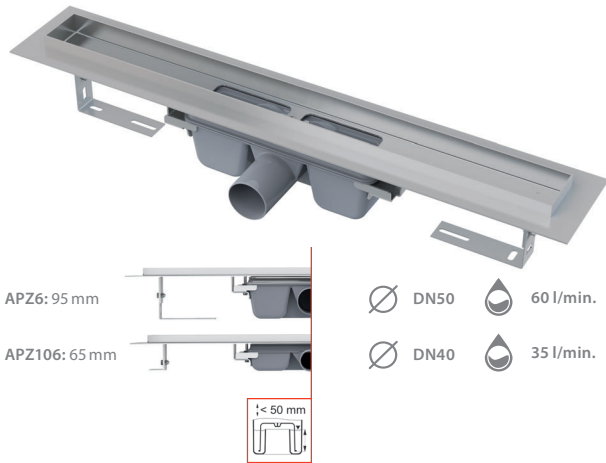
APZ2001: 85 mm		∅ DN40		80 l/min.
----------------	--	--------	--	-----------



For full grids

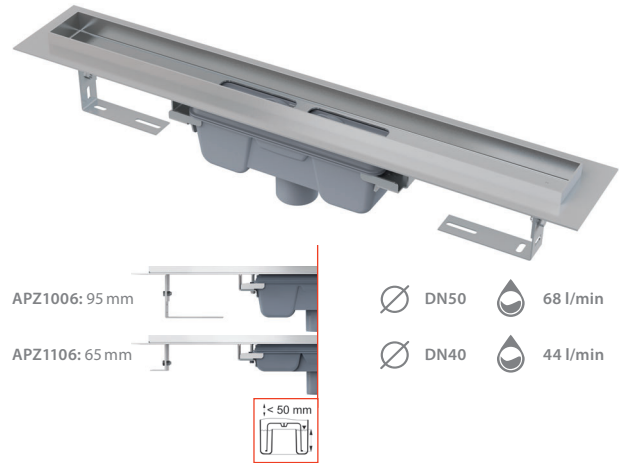
APZ6 Professional, APZ106 Professional Low

Shower drain with an edge for full grid
(300, 550, 650, 750, 850, 950, 1050, 1150 mm)
Atypical lengths upon request.



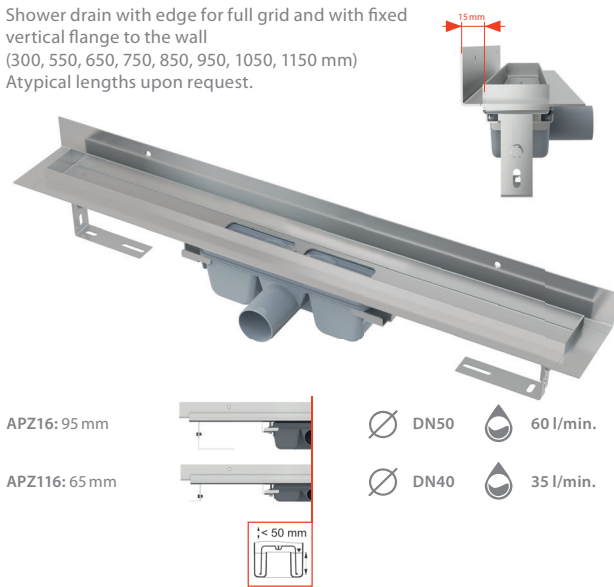
APZ1006 Professional, APZ1106 Professional Low

Shower drain with an edge for full grid, bottom outlet
(300, 550, 650, 750, 850, 950, 1050, 1150 mm)
Atypical lengths upon request.



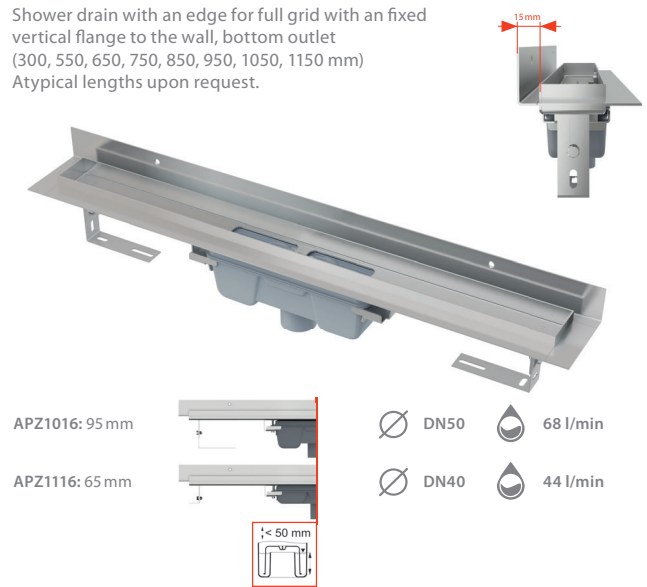
APZ16 Wall, APZ116 Wall Low

Shower drain with edge for full grid and with fixed vertical flange to the wall
(300, 550, 650, 750, 850, 950, 1050, 1150 mm)
Atypical lengths upon request.



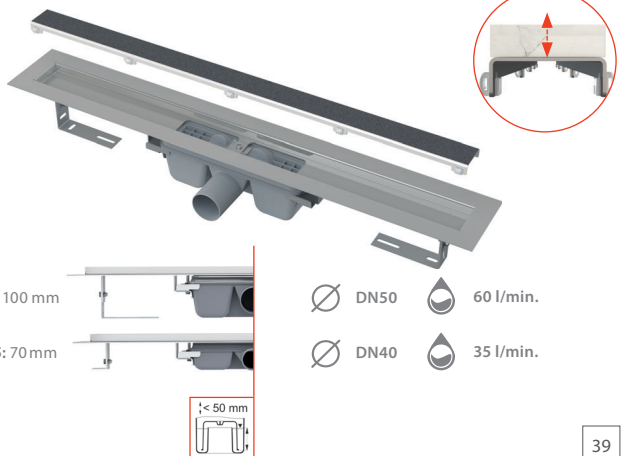
APZ1016 Wall, APZ1116 Wall Low

Shower drain with an edge for full grid with an fixed vertical flange to the wall, bottom outlet
(300, 550, 650, 750, 850, 950, 1050, 1150 mm)
Atypical lengths upon request.



APZ15 Marble, APZ115 Marble Low

Shower drain without edge with grid for embedding tiles
(300, 550, 650, 750, 850, 950, 1050, 1150 mm)
Atypical lengths upon request.



GL1200



GL1202



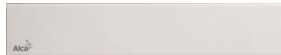
GL1204



FLOOR



DESIGN



DESIGN-ANTIC



POSH



GAP



DESIGN



POSH



STAINLESS STEEL LINEAR SHOWER DRAIN

Stainless steel shower drains APZ13-DOUBLE9 Fit and Go, APZ23-DOUBLE9 Fit and Go Wall

APZ13-DOUBLE9 Fit and Go

Shower drain (550, 650, 750, 850, 950 mm)



DOUBLE



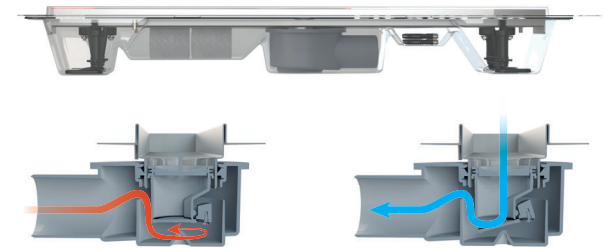
Only in the Fit and Go set

DN50 50 l/min



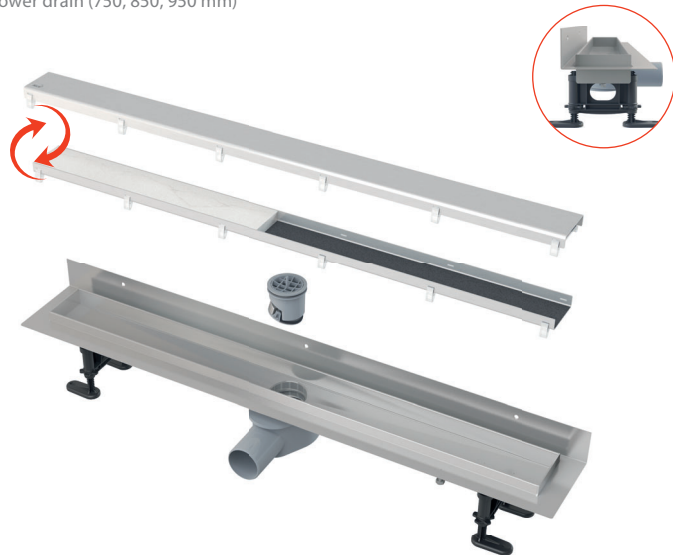
Package content

- shower drain
- two-sided grid DOUBLE (full grid or grid for embedding tiles)
- waterproofing tape in the length of the drain
- odour trap APZ-S9
- combined odour trap SMART
- anchoring kit (screws, dowels)
- installation legs
- dismantling hook



APZ23-DOUBLE9 Fit and Go Wall

Shower drain (750, 850, 950 mm)

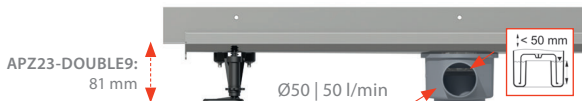


DOUBLE



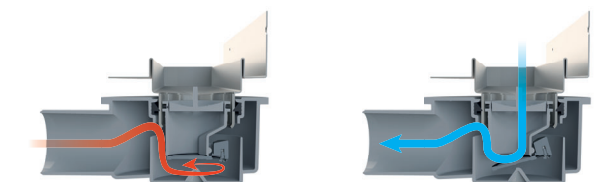
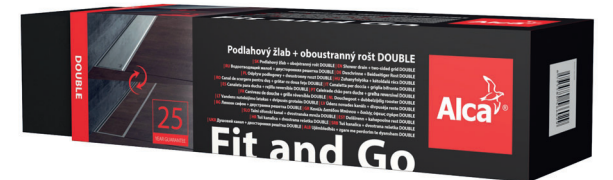
Only in the Fit and Go set

DN50 50 l/min



Package content

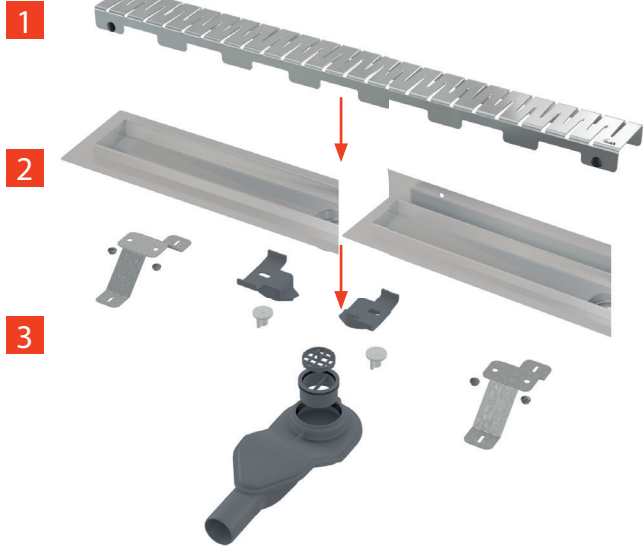
- shower drain to wall
- two-sided grid DOUBLE (full grid or grid for embedding tiles)
- waterproofing tape in the length of the drain
- odour trap APZ-S9
- combined odour trap SMART
- anchoring kit (screws, dowels)
- installation legs
- dismantling hook





Stainless steel shower drains APZ13 Modular, APZ23 Modular Wall

Configuration of the shower drain APZ13 Modular, APZ23 Modular Wall



1

CODE



INSERT



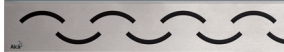
ROUTE



SPACE



SMILE



STREAM



ZIP



2 **APZ13 Modular**
Shower drain (750, 850, 950 mm)



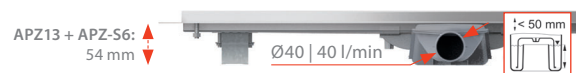
APZ23 Modular Wall
Shower drain (750, 850, 950 mm)



3

APZ-S6

Extra-low trap DN40 and set of adjustable legs



APZ-S9

Low trap DN50 and set of adjustable legs



APZ-S12

Trap DN50 and set of adjustable legs



Optional accessories

P143

Combined odour trap



P144

Combined odour trap



P145

Combined odour trap



PLASTIC LINEAR SHOWER DRAINS

For a perforated grid

APZ8 Simple, APZ9 Simple, APZ10 Simple

Shower drain with an edge for perforated grid (550, 650, 750, 850, 950 mm)



APZ8, 9, 10:
62 mm



DN40 30 l/min

APZ8 Simple



Grid is included in the packaging

APZ9 Simple



Grid is included in the packaging

APZ10 Simple



Grid is included in the packaging

Package content

- linear shower drain
- grid
- waterproofing tape at the length of the linear drain
- combined odour trap SMART
- anchoring kit (screws, dowels)
- installation legs
- dismantling hook



ALL IN PACKAGE



APZ10BLACK Simple

Shower drain with an edge for perforated grid, black-matt (550, 650, 750, 850, 950 mm)



N



APZ10BLACK:
62 mm



DN40 30 l/min

APZ10 BLACK Simple



Grid is included in the packaging

Package content

- linear shower drain
- grid
- waterproofing tape at the length of the linear drain
- combined odour trap SMART
- anchoring kit (screws, dowels)
- installation legs
- dismantling hook



ALL IN PACKAGE



APZ30 Simple

Shower drain with an edge for perforated grid, black-matt (650, 750, 850 mm)



N



APZ30 Wall:
62 mm



DN40 30 l/min

APZ30 Simple



Grid is included in the packaging

Package content

- linear shower drain
- grid
- waterproofing tape at the length of the linear drain
- combined odour trap SMART
- anchoring kit (screws, dowels)
- installation legs
- dismantling hook



ALL IN PACKAGE



APZ18 Simple

Shower drain with an edge for perforated grids (550, 650, 750, 850, 950 mm)



APZ18:
62 mm



DN40 30 l/min

APZ18 Simple



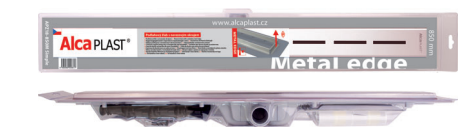
Grid is included in the packaging

Package content

- linear shower drain
- grid
- waterproofing tape at the length of the linear drain
- combined odour trap SMART
- anchoring kit (screws, dowels)
- installation legs
- dismantling hook



ALL IN PACKAGE





For perforated grid, full grid or grid for embedding tiles

APZ12 Optimal

Shower drain with an edge for perforated grids or tile embedding (750, 850, 950, 1050 mm)



APZ12: 85 mm



DN50

63 l/min

APZ2012 Optimal

Shower drain with an edge for perforated grids or tile embedding, without odour trap (550, 650, 750, 850 mm)



APZ2012: 70 mm



DN50

80 l/min

APZ22 Optimal

Shower drain with an edge for perforated grids or tile embedding (750, 850, 950 mm)



APZ22: 85 mm



DN50

63 l/min

APZ2022 Optimal

Shower drain with an edge for perforated grids or tile embedding, without odour trap (550, 650, 750, 850 mm)



APZ2022: 70 mm



DN50

80 l/min

LINE



HOPE



PURE



BUBLE



CUBE



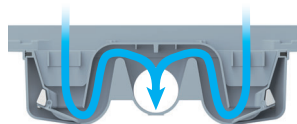
DREAM



SOLID



TILE



P138

Low trap DN50 for shower drains APZ2012, APZ2022



P142

Extra-low trap DN40 for shower drains APZ2012, APZ2022



STAINLESS STEEL LINEAR SHOWER DRAIN

Waste system in wall

APZ5 Spa

Waste system for installation in walls
(650, 750, 850, 950, 1050 mm)



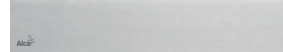
APZ5: 100 mm

∅ DN50 60 l/min.

APZ5-EDEN



APZ5-SHADE



APZ5-TWIN



ALCA LIGHT

APZ5 Spa backlight

Length varieties of backlighting for APZ5 Spa shower drains

Lighting colour	Length of the drain (mm)	650	750	850	950	1 050
White	Code of backlighting in the length of the drain	AEZ 120-650	AEZ 120-750	AEZ 120-850	AEZ 120-950	AEZ 120-1050
Blue		AEZ 121-650	AEZ 121-750	AEZ 121-850	AEZ 121-950	AEZ 121-1050
Green		AEZ 122-650	AEZ 122-750	AEZ 122-850	AEZ 122-950	AEZ 122-1050
Red		AEZ 123-650	AEZ 123-750	AEZ 123-850	AEZ 123-950	AEZ 123-1050
Rainbow		AEZ 124-650	AEZ 124-750	AEZ 124-850	AEZ 124-950	AEZ 124-1050

Source for backlighting APZ5 Spa – AEZ 320

Antivandal

APZ11 Antivandal, APZ111 Antivandal Low

Shower drain Antivandal with grid
(300, 550, 650, 750, 850, 950, 1050, 1150 mm)



APZ11: 85 mm

∅ DN50 60 l/min.

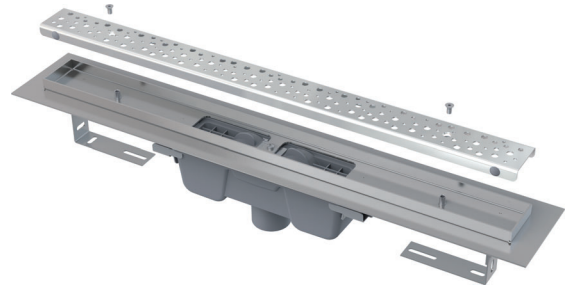
APZ111: 55 mm

∅ DN40 35 l/min.



APZ1011 Antivandal, APZ1111 Antivandal Low

Shower drain Antivandal with grid, bottom outlet
(300, 550, 650, 750, 850, 950, 1050, 1150 mm)



APZ1011: 85 mm

∅ DN50 68 l/min

APZ1111: 55 mm

∅ DN40 44 l/min



BUBLE



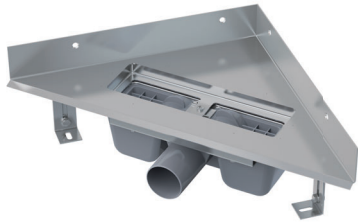
Grid is included in the packaging



Stainless steel corner shower drains

ARZ1

Corner shower drain without an edge for perforated corner grids



ARZ1 100 mm

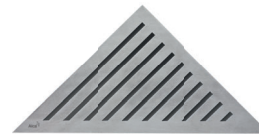


DN50

60 l/min.



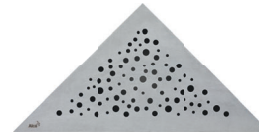
LIFE



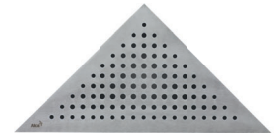
GRACE



TIME



VIEW



TRITON

Stainless steel floor drains

APV110

Floor drain stainless steel extra-low 130x130 mm side outlet, without grid, wet odour trap



APV110: 54 mm



DN40

40 l/min



APV120

Floor drain stainless steel low 130x130 mm side outlet, without grid, wet odour trap



APV120: 81 mm



DN50

50 l/min



APV130

Floor drain stainless steel 130x130 mm side outlet, without grid, wet odour trap



APV130: 105 mm



DN50

58 l/min

MPV011



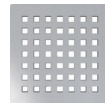
MPV012



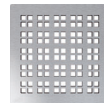
MPV013



MPV014



MPV015

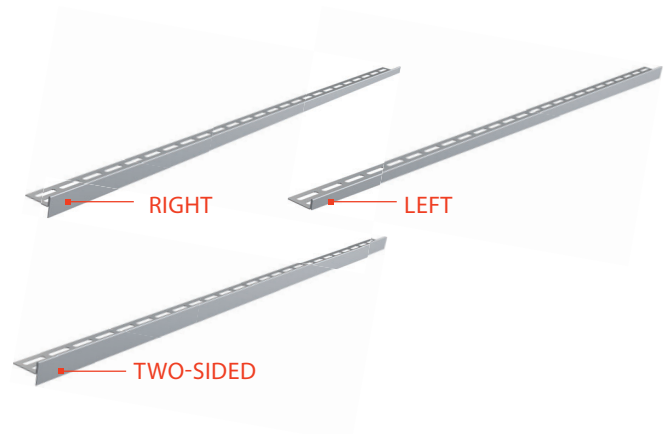


MPV016



Stainless steel strips for sloping floors in showers

Code	Flange height	Length (mm)	Type	Version
APZ 901M/1000	12	1000	left	matt
APZ 902M/1000	12	1000	right	matt
APZ 903M/1000	14	1000	left	matt
APZ 904M/1000	14	1000	right	matt
APZ 901M/1200	12	1200	left	matt
APZ 902M/1200	12	1200	right	matt
APZ 903M/1200	14	1200	left	matt
APZ 904M/1200	14	1200	right	matt
APZ 905M/1000	12	1000	double-sided	matt
APZ 905M/1200	12	1200	double-sided	matt
APZ 906M/1000	14	1000	double-sided	matt
APZ 906M/1200	14	1200	double-sided	matt





Company foundation

Czech family business which was founded in 1998. At that time, we produced only two products – fill and flushing valve. The current wide range of Alcaplast products has become the best selling in their field in many countries all over the world.



Best 100 Czech Companies

For the fourth consecutive year Alcaplast defended its position among the hundred most successful Czech companies. In 2020 finished an excellent 26th place.



Czech product from Czech engineers

Quality, technical solutions, innovation, design – these are the primary characteristics of Alcaplast products. The high level of professionalism and skill of our Czech technicians is based on the historical tradition of Czech industry, which is over 100 years old, and renowned worldwide for its top quality products that are modern and extremely reliable.

ALCA – a premium brand

Premium brand ALCA represents a number of design products thoroughly elaborated with high utility value with Alcaplast being the creator of new trends in sanitary technology. Our cooperation with leading Czech designers in creating new product lines has won us several prestigious awards.

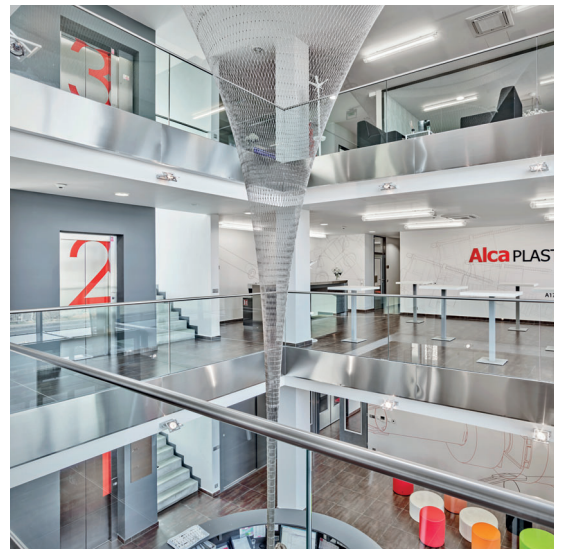


Flush plates NIGHT LIGHT and FLAT – world design

Alcaplast is a trendsetter in the world of design. This is confirmed by two awards, which the company received in recent years. Prestigious iF Design Award 2018 recognized the novelty – touch-free flush plate NIGHT LIGHT – the winner in the Product category of the Bathrooms section. Their predecessor, the collection of flush plates FLAT, was acknowledged by the jury at the Red Dot Award product design competition in 2014.

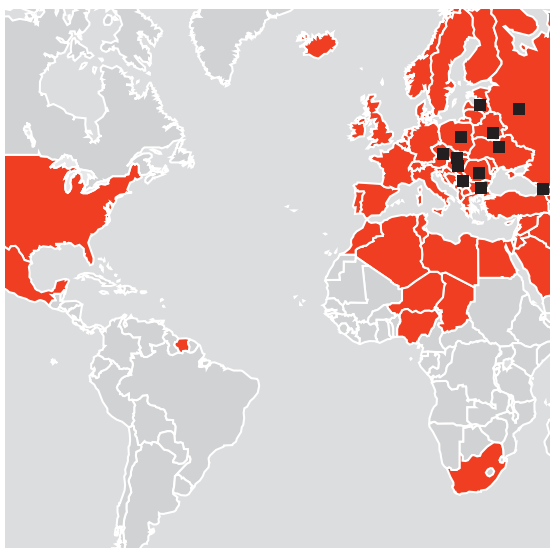


reddot award 2014
winner



Alcaplast Academy

The Alcaplast Academy was established in 2009. The training center was introduced to support education of Alcaplast customers based on the presentation and direct professional training associated with our products. Now we also train on-line and provide an external training for our customers in the Czech Republic and abroad using the commercial vehicle with Alcaplast product displays. Over 3,000 professionals pass through our training every year. They are a guarantee of professional installation and technical support in the market.



Alcaplast International

Branches:

- Slovakia ■ Hungary ■ Poland ■ Romania
- Russia ■ Ukraine ■ Belarus ■ Georgia ■ Serbia
- Baltics ■ Bulgaria

We design our products so that they can simplify life across many countries. Thanks to the fact that they are universal and meet demanding international standards, this is not a problem. Alcaplast distribution warehouses and sales teams in countries outside of the Czech Republic provide flexible communication and service to our customers.

EY Entrepreneur of the Year 2018

Succeeding in such a competitive environment is not easy. The founders of Alcaplast company won the competition, where more than 100 entrepreneurs competed for victory.

"We feel pride, humility and very much appreciate the award. We were in a great company among amazing and inspiring people. It is good that there is competition, which has the same criteria in all the countries, expands awareness of our business story and motivates future businessmen and businesswomen."

Radka Prokopová and František Fabičovic
 husband and wife and Alcaplast company founders



2018 Award Winner

WE LOVE ELEGANT DESIGN
 AND INNOVATIONS.
 TRADITION IS IN OUR BLOOD
 AND WE INSIST ON QUALITY.
 ALL THIS CREATES ALCAPLAST. ■

SHOWER DRAINS.

Alca PLAST®

CZECH REPUBLIC

Alca plast, s. r. o.
Bratislavská 2846, 690 02 Břeclav
tel.: +420 519 821 117 – Sales Dept CZ
tel.: +420 519 821 041 – Export Dept
fax: +420 519 821 083
e-mail: alcaplast@alcaplast.com
www.alcaplast.com

The Alcaplast team of specialists is always on hand to help with design, installation and quote project prices.

Czech manufacturer
ISO 9001:2015

Edition 1/2021 EN, © Alca plast, s. r. o.
Changes in dimensions and design reserved.



EN 55014-1, EN 55014-2,
EN 61000-6, EN 61000-4
2011/65/EU including amendments
EN 1253-1, 2014/30/EU including amendments