

# TECHNICAL SPECIFICATIONS TEMPORARY

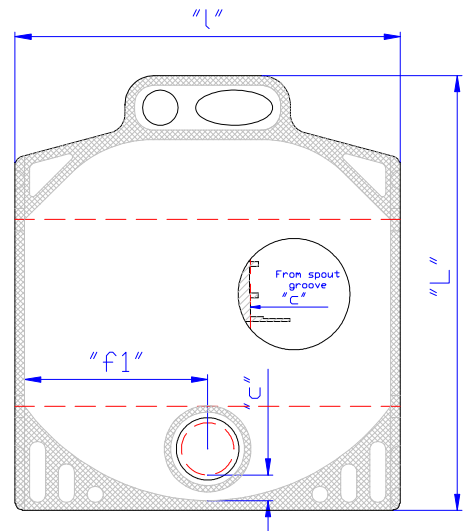
**Bag type :** CLEAN of 3\_L  
**Code article:** xxx

**Size:** 272\*240 mm  
**Reference :** 3L SUP DG A'/amkF/VTm-1S (272\*240)

**DIMENSIONS (IN MM) :**

Bag	Dimensions	Tolerances
Length L	272	-3/+3
Width l	240	-3/+3

Spout n°1	Dimensions	Tolerances
Position from spout groove to bottom seal (c)	16,00	-3/+3
Position from spout center to the left side (f1)	114,00	-3/+3
Inside spout diameter	28,20	
Outside diameter (for filling machine pincers)	33,00	
Height	19,00	



**BAGS CONSTRUCTION – MATERIALS :**

Bag	Film	No	Yes
Material based on	PET12 / Alu9 / OPA15 / PE120		
Thickness (in µm)	156		
Colour	PRINTING (Heliography)		
O <sub>2</sub> permeability at 23°C and 75% RH – ASTM D3985 / F1927 (cc/m <sup>2</sup> /24h/atm under 100% O <sub>2</sub> ) (on new material before bag production)	0.1		
		<b>Irradiation</b>	<b>X</b>
		<b>Web bag</b>	<b>X</b>
		<b>If web bag, perforation Type (in mm)</b>	<b>NA</b>

Spout (gland)	Spout n°1
Type	STANDARD
Material	LDPE
Colour	NATURAL

Closure	Valve or cap n°1
Type	VITOP OPERCULE
Material	PP ELASTOMER HDPE PP ALU
Colour	Black / White Red
Pre-set position (before filling)	1st NOTCH
Orientation	12h

Approved by R&D on the 27/02/2017

**Bag type :** CLEAN of 3\_L  
**Code article:** xxx

**Size:** 272\*240 mm  
**Reference :** 3L SUP DG A'/amkF/VTm-1S (272\*240)

**PACKAGING / TRANSPORT :**

	Type	Dimensions (in mm)	Contents (in Bags)	Weight (in kg)
<b>Box</b>	BTE CLOCHE	770*580*297	260	
<b>Pallet</b>	WOOD	800 * 1.200	3640	

**REMARKS :**

**Food Contact:** Refer to the declaration of conformity.

**Identification :** Each SUP is identified with SK BIB, volume, production order number, production day, time, bag number and a food safe symbol.

**Storage :** Empty SUP have to be stored at room temperature, in a clean, dry and dust free area, packed in their original carton and closed. Keep SUP away from poisonous articles, heat sources, smelly products and direct sun. Optimal conditions of storage are comprised between 15-25°C and 40-60% of relative humidity. Unfilled empty bags can be stored during a short period at +0°C mini and +30°C maxi, but must be have to be stored in ambient conditions 24 to 48 h before use.

**Use period:** It is expected that SUP will be suitable for use until the date indicated on boxes, provided that the storage and warehousing conditions detailed above are adhered to. We advise to use the First In/First Out (**FIFO**) inventory control system. If this time period is exceeded, Smurfit Kappa Bag-in-Box Technical services must be contacted prior to use.

**Filling :** The SUP is to be filled to its nominal volume.  
Smurfit Kappa SUP are suitable for product filled at temperature between +0°C and 40°C. Outside this temperature range, please seek technical assistance from Smurfit Kappa Bag-in-Box.  
The outer-packaging must be suitable to the dimensions of the SUP.

**Transport :** Product must be shipped at temperature above +0°C.

**Palletization:** stacking of pallets during transport and storage is not allowed.  
Height of pallet of 14 boxes : 2m 28

The guarantee for SKBIB products is limited to the reimbursement or the replacement of products that are jointly recognized as defects. This guarantee excludes all the fees, compensation and damages. The current technical specifications are provided for information purposes and cannot be held against their issuer.

**This document cancels and replaces the previous document.**

Approved by R&D on the 27/02/2017

Revision : 1  
Page : 2 out of 2