

**voran**<sup>®</sup>

machinery

# Filler systems Series filler R4/R6 MBF500/750-R6



MBF500

MBF750-R6 with table

# Bottles and Bag-in-Box

## Series filler R4 and R6 (bottles)

The voran® inline fillers in four or six-position design are the optimal solutions for small production filling.

Output: 300 or 500 litres per hour.

The well designed and purely mechanical mode of operation enables these fillers to achieve an excellent price-performance ratio. The R4 and R6 inline fillers are also available as table models. We offer bases for adjusting the work height to enable ergonomic operation.

The use of wide-neck adapters (optional) with diameters of 22 to 95 millimetres make it possible to fill bottles and jars with different neck diameters. The standard filler can be used for inside bottleneck diameters of 10 to 28 millimetres. The filler can be supplied with the option to control an upstream pasteurizer and it is possible to retrofit existing fillers with this option.



Cones are optionally available for seamless covering of different bottleneck diameters.



## MBF500 and 750 (Bag-in-Box)

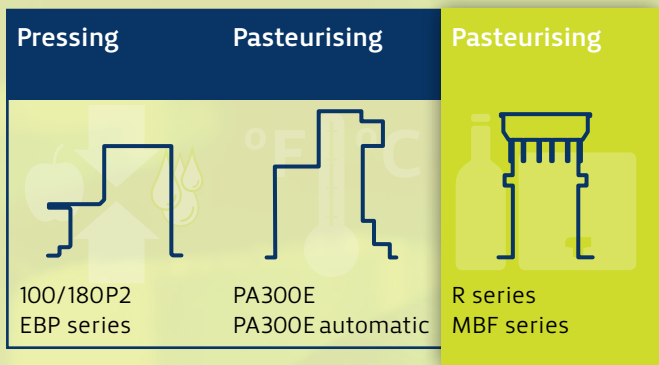
The MBF500 and MBF750 filling systems offer a solution for the semi-automatic filling of bags in 3, 5, 10 and 20 litre sizes. voran®-Bag-in-Box filling systems are equipped with two litre counting displays. These counters can be reset manually, independently of each other. This allows each of the filling processes to be counted even when different bag-in-box sizes are used.


The juice is transported by the pump of an upstream pasteuriser into the filler's juice storage tank. After a bag is inserted into the locking mechanism and the tap removed manually, the filling station is then positioned over the bag opening. The pre-set volume is gravity filled into the bag. The filling valve is controlled by the calibrate-able scale and closes when the filling volume is reached. This system achieves extremely accurate filling levels.

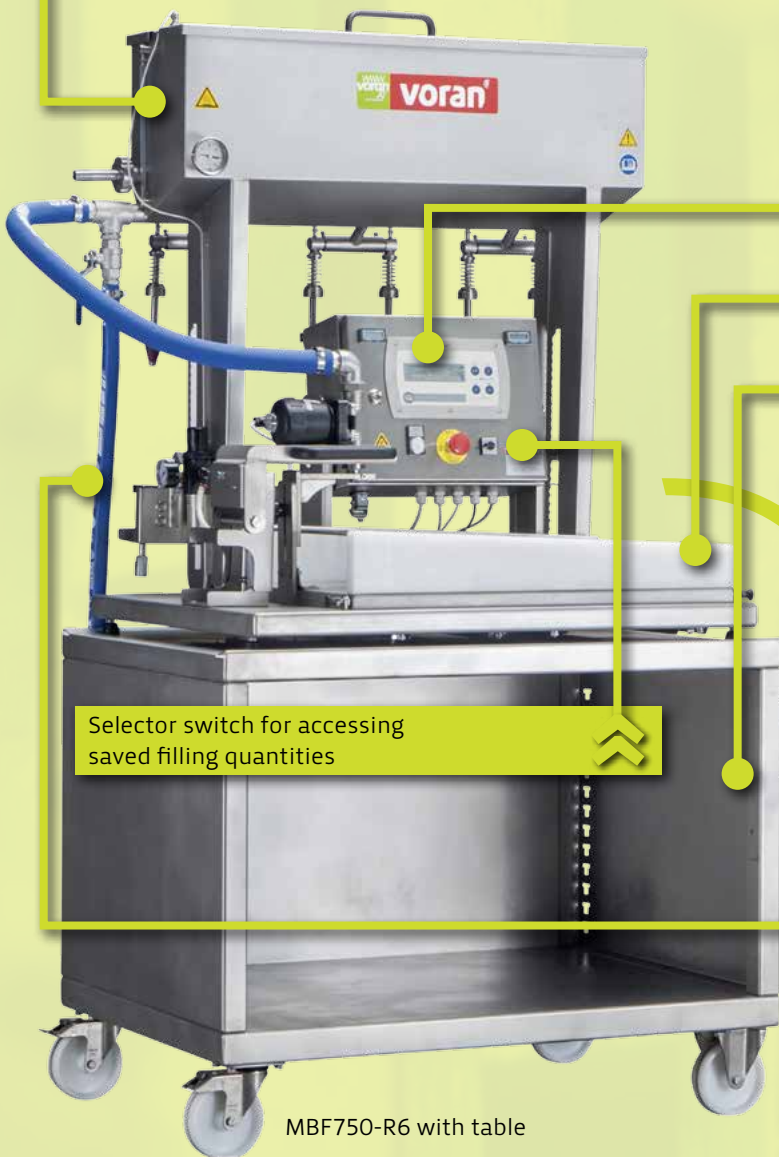
All of the filling systems are equipped with an analogue thermometer for a quick visual temperature check.





MBF500




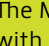
 Juice storage tank with temperature and fill level display. The integrated float switch controls the upstream voran® pasteuriser.




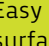
 Display of the current filling weight


 Protected weighing cells permit high repeat accuracy filling

 Storage compartment for bags and boxes

 The MBF750 model is optionally available with an integrated R6 inline filler.

 Selector switch for accessing saved filling quantities

 Easy box-filling on separate storage surface

 Keg filling unit

## MBF750-R6

Bag-in-Box filler combined with a 6-position bottle inline filler for the filling of fruit or vegetable juices. Intended for the filling of standard bags with 3, 5, 10 or 20 litres and bottles from 0.25 to 2 litres.

The MBF750-R6 is not designed for the simultaneous filling of bottles and bags.

Each of the four pre-set filling volumes can be reprogrammed by the operator to any desired value.

## The benefits of the voran<sup>®</sup> filler systems

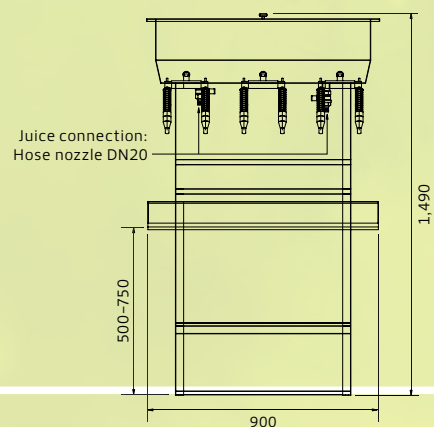
- Space-saving installation thanks to compact design
- **Bag:** faster filling quantity change possible using selector switch (4 filling quantities can be selected—such as 3/5/10/20 litres)
- **Bottles:** Filling height adjustable up to the brim; bottle size of 0.25 to 2 litres (also special bottles)
- Effective cleaning of the base device thanks to good accessibility, emptying of the upstream container without residues and complete stainless-steel design
- Easy, efficient cleaning of the filling system using prepared connection points and selectable self-cleaning program
- Bag placement on non-stick metal rods
- Design protected against spray water
- CE conformity
- Suitable for hot filling and for the filling of cold-pressed fruit and vegetable juices



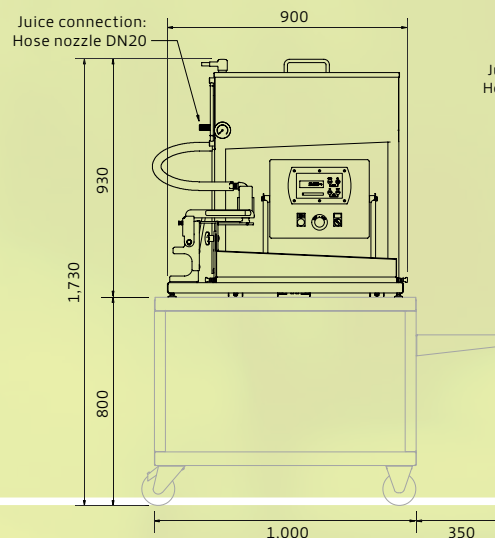
MBF750-R6

# Technical data

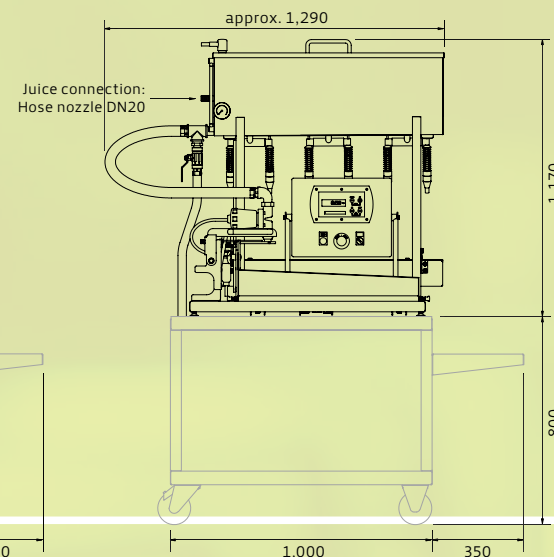
## R4/R6



## MBF500



## MBF750(-R6)



Model	R4	R6	MBF500	MBF750(-R6)
Rated output in l/h**	300	500	500 with 10l-Bags	750 with 10 l-Bags
Electrical connection**	-	-	230 V / 50Hz	230 V / 50 Hz
Connected load in kW	-	-	0.1 kW	0.1 kW
Length/width/height dimensions in mm	480 / 600 / 1,490	490 / 900 / 1,490	700 / 900 / 930	740 / 900 / 1,070 (810 / 900 / 1,070)
Weight in kg (dry)	30	40	75	85 (100)
Maximum filling temperature in °C	86	86	86	86
Repeat accuracy in %	±0.5	±0.5	±0.5	±0.5
Juice reservoir volume in l	30	40	40	58
Protection type	-	-	IP54	IP54
Design	Stainless steel***	Stainless steel***	Stainless steel***	Stainless steel***
Compressed air consumption in l/min for 8 bar	-	-	-	100
Scope of supply	Cleaning unit, filling cones with 10-28 mm inside neck diameter		Cleaning unit	Cleaning unit, filling cones with 10-28 mm inside neck diameter

\*Depending on the viscosity of the material \*\* Other mains voltages and designs on request \*\*\*Fulfil EC1935/2004

# voran.at

## voran business lines

machines

machine construction

plant construction

facades

### How to find us



**voran** Maschinen GmbH  
 Sales  
 Linzer Strasse 30  
 A 4650 Edt bei Lambach  
 T +43(0)72 49 / 444-0  
 F +43(0)72 49 / 444-888  
 office@voran.at  
 www.voran.at

**Production**  
 Inn 7  
 A 4632 Pichl bei Wels

**Service hotline**  
 Monday - Friday, 7 a.m. - 8 p.m.  
 Saturday, 7 a.m. - 6 p.m.  
 T +43(0)72 49 / 444-200