

voran[®]

machinery

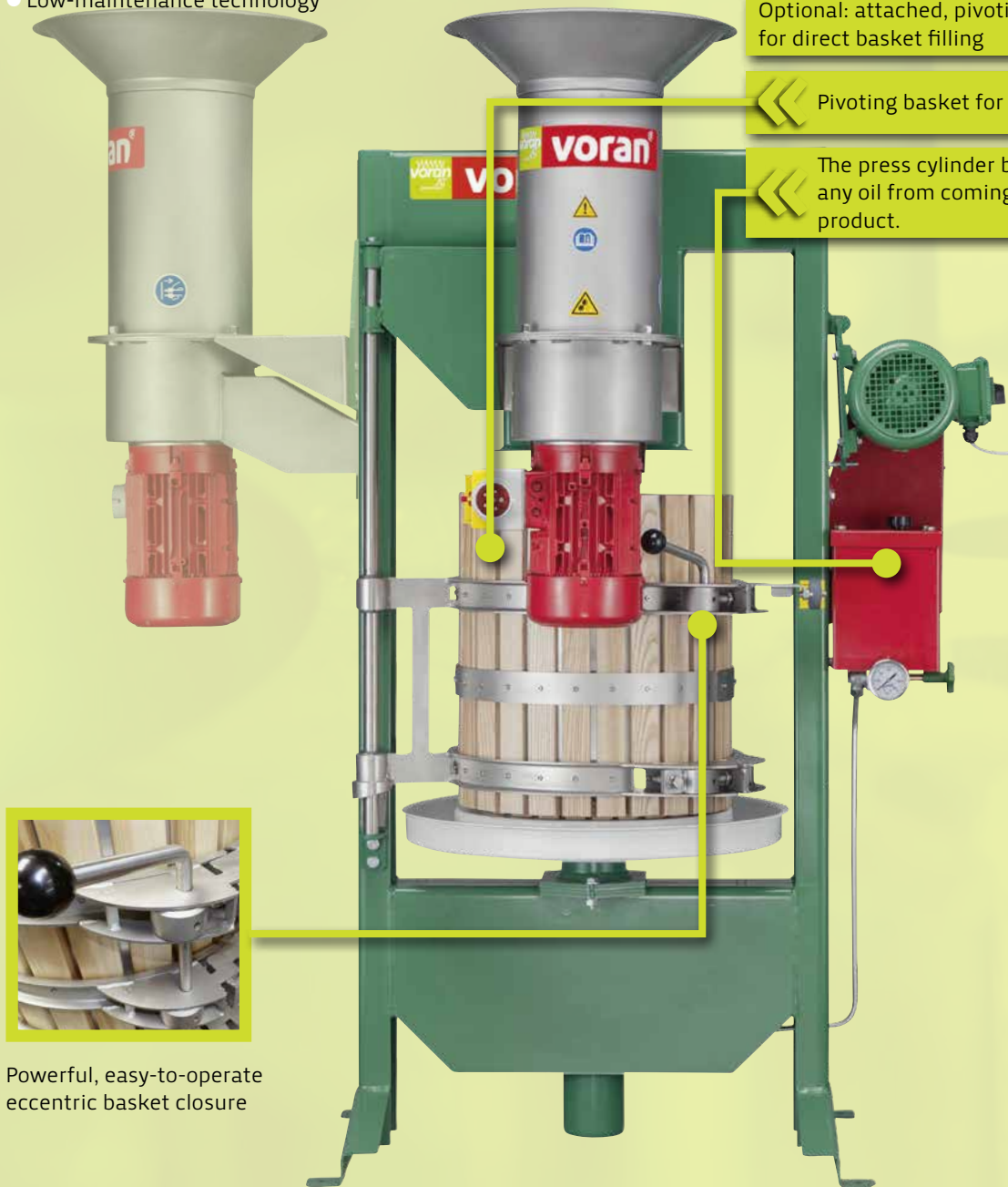
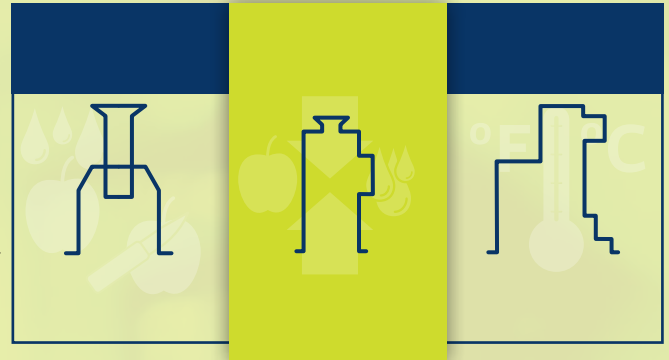
Basket press 60K 100K



Pressing fruit...

The best from the basket

- High yield
- Smooth-running stainless steel eccentric closure for pivoting round basket
- All parts coming into contact with fruit are produced from stainless steel, wood or plastic
- Simple operation
- Easy cleaning
- Maintenance-free hydraulic pump without suction vavvle or collar
- Automatic 380-bar overpressure valve (for 100K) and 320 bar (for 60K)
- Oil-freed pressing area due hydraulic system located beneath the press
- Low-maintenance technology



Optional: attached, pivoting centrifugal mill for direct basket filling

Pivoting basket for easy emptying

The press cylinder beneath it prevents any oil from coming into contact with the product.



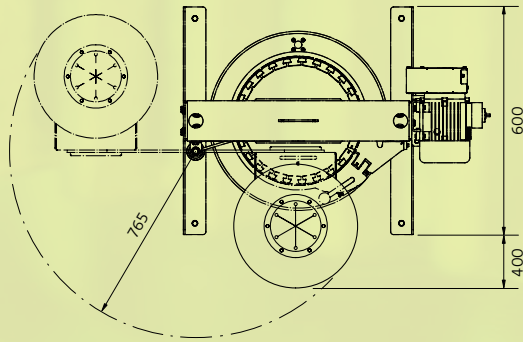
Scope of supply:
Press disc, insert sleeve, press sack and press inserts



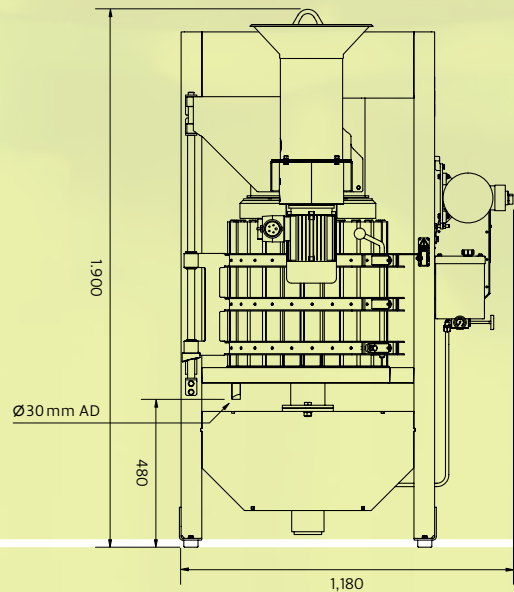
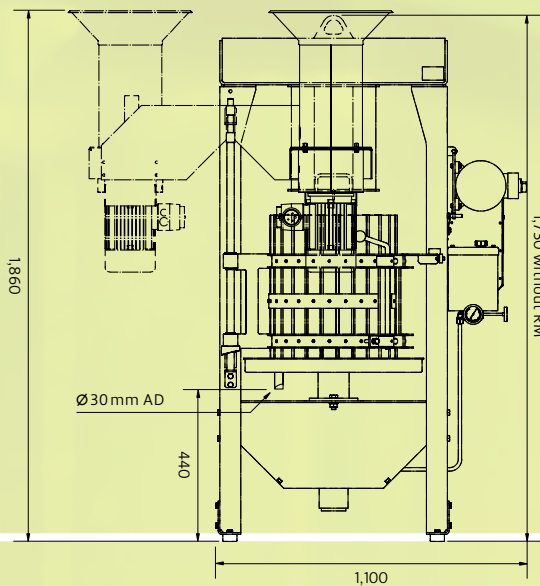
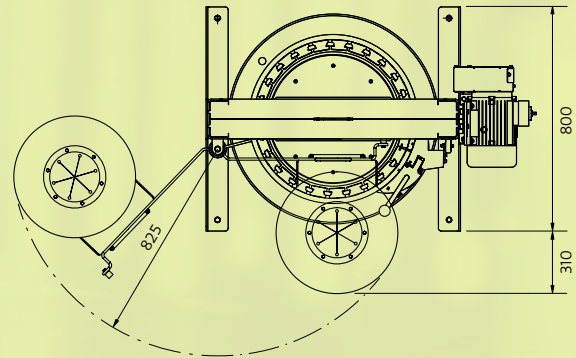
Powerful, easy-to-operate eccentric basket closure

...and processing it further

60K



100K



Model	60K (RM1,5)	100K (RM1,5)
Rated throughput in kg/h	180	300
Motor power in kW (mill)	1.1	1.5
Press force in kN	150	240
Electrical connection*	400V/50Hz (three-phase)	400V/50Hz (three-phase)
Plug	CEE 16 A	CEE 16 A
Length/width/height dimensions in mm (RM1,5)	600(1,000) / 1,100 / 1,730	800 (1,110) / 1,180 / 1,900 (1,900)
Weight in kg (mill)	264 (28)	340 (28)
Diameter of the inserts in cm	38	46
Number of cloths	3	3
Design	Powder-coated steel	Powder-coated steel
Scope of supply (applies for both presses)	3 press inserts, 3 insert sleeves, press sack, press disc	

* Other mains voltages and designs on request

voran.at

voran business lines

- machines
- machine construction
- plant construction
- facades

How to find us



voran Maschinen GmbH
 Production & Sales
 Inn 7
 A 4632 Pichl bei Wels
 Austria | Europe
 T +43(0)72 49 / 444-0
 F +43(0)72 49 / 444-888
 office@voran.at · www.voran.at

Service hotline
 T +43(0)72 49 / 444-200