

CEWOOD BAFFLE

CEWOOD Baffles are panels designed for suspension in the ceiling structure, delivering increased sound absorption and improved acoustic comfort in premises. This is an excellent solution for large spaces or rooms with tall ceilings, such as conference halls, educational institutions, and public buildings. Each panel is manufactured with great care in line with the highest quality standards, and the Baffle panel design can be adapted to specific interior design requirements.

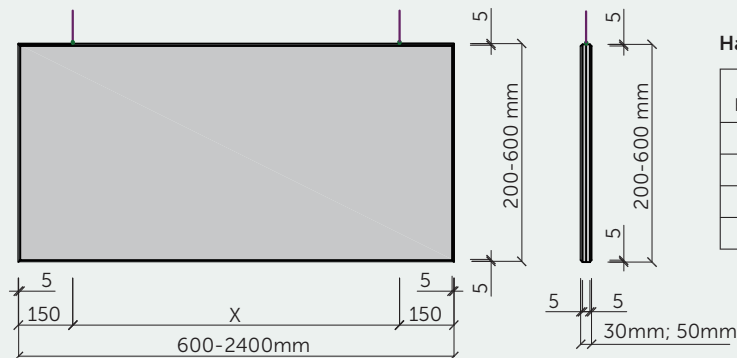
The Baffle consists of two CEWOOD panels of 15 mm or 25 mm thickness with integrated 3 mm wires in the upper part, which are used to suspend the Baffle panel from the ceiling structure. The maximum wire length is 50 cm, and the number of wires in each Baffle depends on its size. Additionally, Baffle panels can also be mounted directly to the ceiling structure using hooks, without wires.



Technical specification

Wood wool width	1.0 mm; other wood wool available upon request
Panel thickness	30 mm (2x15 mm); 50 mm (2x25 mm)
Baffle length	600 mm (2 wires); 1200 mm (2 wires); 1800 mm (3 wires); 2400 mm (4 wires); other sizes upon request
Baffle width	200 mm; 300 mm; 400 mm; 500 mm; 600 mm; other sizes upon request
Colours	Natural painted, white, black, grey and any shade in RAL or NCS system upon request
Profiles	P5
Fire reaction class	B-s1, d0; A2-s1, d0

Baffle types



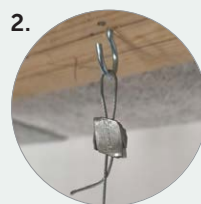
Hanger positioning

Length of board, mm	Number of hangers, pcs	From edge, mm	X Between hangers, mm
600	2	150	300
1200	2		900
1800	3		750
2400	4		700

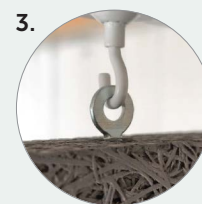
Suspension options



Cable gripper
adjustment at the baffle



Wire suspension
adjustment at the ceiling



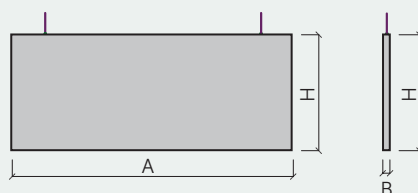
Direct fixing with loop
no adjustment

CEWOOD BAFFLE

Baffles sound absorption

For baffles given per unit:

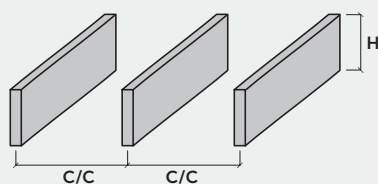
Absorption values are provided for a single baffle element, where the main parameter is the equivalent absorption area. Absorption class is not shown here, since in this type of measurement the results are calculated according to a different principle rather than classified.



Description	α_w	Class	Height, H (mm)	Width, A (mm)	Thickness, B (mm)	Abs. area, (m ²)	125 Hz	250 Hz	500 Hz	1000 Hz	2000 Hz	4000 Hz
Mounting in suspended ceiling structures with an air gap												
CEWOOD Baffle 1200x600x30 mm	-	-	600	1200	30	1,44	0,16	0,26	0,37	0,49	0,70	1,10
CEWOOD Baffle 1200x300x30 mm	-	-	300	1200	30	0,72	0,08	0,13	0,19	0,27	0,38	0,61
CEWOOD Baffle 1200x600x50 mm	-	-	600	1200	50	1,44	0,21	0,35	0,50	0,74	1,10	1,20
CEWOOD Baffle 1200x300x50 mm	-	-	300	1200	50	0,72	0,10	0,14	0,20	0,30	0,49	0,64

For baffles with fixed spacing:

Absorption values show the acoustic performance of a baffle field at different fixed spacings, allowing evaluation of how the layout affects the result.



Description	α_w	Class	Height, H (mm)	Thickness, B (mm)	Spacing, C/C (mm)	Frequency					
						125 Hz	250 Hz	500 Hz	1000 Hz	2000 Hz	4000 Hz
CEWOOD Baffle 30x300 mm; spacing - 385 mm	0,35	D	300	30	385	0,20	0,30	0,25	0,35	0,60	0,80
CEWOOD Baffle 30x600 mm; spacing - 640 mm	0,40	D	600	30	640	0,20	0,20	0,30	0,45	0,65	0,80
CEWOOD Baffle 50x300 mm; spacing - 385 mm	0,45	D	300	50	385	0,25	0,35	0,35	0,55	0,75	0,85
CEWOOD Baffle 50x600; spacing - 640 mm	0,50	D	600	50	640	0,25	0,30	0,45	0,65	0,80	0,85

CEWOOD BAFFLE

CEWOOD Baffle panel solutions in interiors

