

Integra 210

New!

Dimensions: 209 x 80 x 61 cm

Water capacity: 260 l

Weight (netto): 91 kg



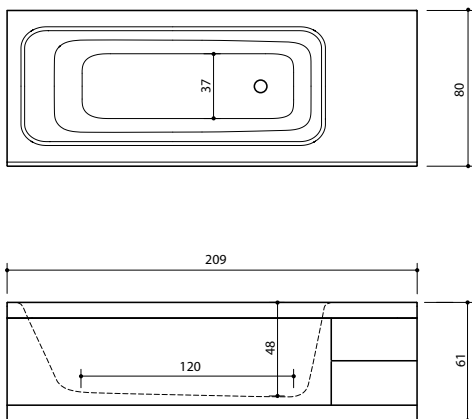
Integra 210 - Integra bathroom series offer Nordic style and functional design for everyday comfort.

Integra 210 bath is made of Xonyx massive stone, bath is installed on a galvanized steel support frame and fitted with front and end panel of PVC foiled 16 mm MDF, and two push-to-open drawers (medium density fiberboard). Panels are fixed to the bath with magnet connection (no visual screws in the panel). Please see panel position options.

PS.

- Integra 210 bath is not offered without panels and/or drawers.
- Complimenting bathroom furniture serie is available for Integra bath (page 104).

XONYX™



PVC foiled MDF front- and end panel finishing options:



Panel placement options:

