

Integra 170

New!

Dimensions: 170 x 80 x 61 cm

Water capacity: 260 l

Weight (netto): 79 kg

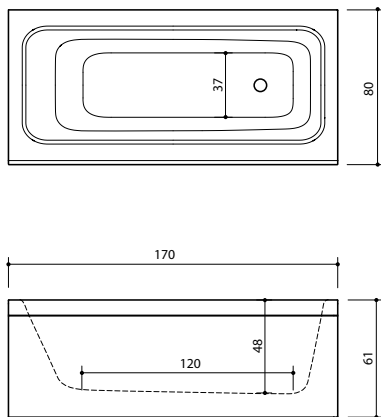


Integra 170 - serie combines the latest trends in furniture decor and Xonyx massive stone, bringing new bathroom settings with modern aesthetics and high quality engineering.

Integra 170 bath is made of Xonyx massive stone, bath is installed on a galvanized steel support frame and fitted with front and end panel made of PVC foiled 16 mm MDF (medium density fiberboard). Panels are fixed to the bath with magnet connection (no visual screws in the panel). Please see panel position options.

PS. • Complimenting bathroom furniture serie is available for Integra bath (page 104).

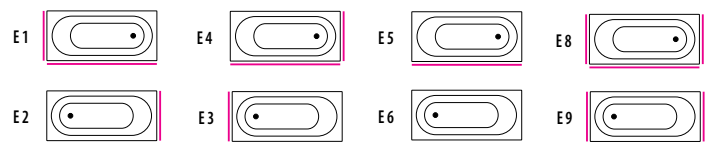
XONYX™



PVC foiled MDF front- and end panel finishing options:



Panel placement options:



E12 Without panels