

BALTECO

BATHROOMS



BATH



FURNITURE



STEAM CABIN



BASIN



HOME SPA



SHOWER



EXTRA

CONTENTS

BALTECO IN BRIEF	3	SHOWER CORNERS	48
MASSIVE STONE PRODUCTS	6	Makro	50
Azur 130, 140, 155	7	Line, High-Line, Extra-Line	52
Fiore 160, 180	8	Form	53
Halo	9	Arc, Axis	54
Flo	10	Mode, Sola	55
Senzo	11	Fold	56
Vero	12	Vibe, Visio	57
Mezzo	13	Shower details	58
Gamma 150	14	Folding shower seat	58
Gamma 160	15	Mio (shower panel)	59
Dune	16		
Piano, Piano Hydro	17	BATHROOM FURNITURE	60
Integra 170	18	Integra serie	62
Integra 210	19	Piano serie	64
Vario	20	Willingen serie	66
Tetris	21	Color options for furniture	68
		Mirrors	69
ACRYLIC BATHS	22		
Market leader in hydromassage innovation	24	WASHBASINS	
Comparison of massage systems	26	Milo, Deco, Cudo	70
Panel+	26		
Forma 150, 160, 170, 180	28	TECHNICAL INFORMATION	72
Forma 190	29		
Modul 150, 160, 170	30		
Modul 180	31		
Roma	32		
Loop	33		
Eclipse	34		
Idea	35		
Rhea	36		
Cali	37		
Orion	38		
Linea	39		
Metro	40		
Scala	41		
Quadrum	42		
Madonna XL	43		
Shower walls for baths	44		
Accessories	45		
Cleaning products	45		
Bath mixers	46		
Home spa – improvement of living quality	47		





Balteco, as a leader in hydromassage bath development and manufacturing in Northern Europe, was established by a group of talented and ambitious engineers in 1990. Over the past two decades we have gained a lot of experience and extremely valuable know-how, which has shaped Balteco original bath catalogue to represent probably the best hydromassage bath ranges and soaking bath ranges on the market. Balteco bath catalogue include a long line produced from sanitary cast acrylics and Solid Surface baths branded as Xonyx™ massive stone baths.

As a recognised leader of hydromassage bath development, we have over the years introduced numerous valuable functional innovations and technical solutions that after Balteco introduction have become an industry standard and adopted by other quality manufacturers. As proof of continuous innovative product development and award-winning product design – Balteco is proud to claim vastly more than 100.000 satisfied hydromassage bath customers all over Europe.

Our aspiration and everyday challenge is to design for our customers the absolute best hydromassage baths and soaking baths with original design, premium quality and innovative functional features.



MASSIVE STONE PRODUCTS



UNIQUE RANGE OF XONYX™ MASSIVE STONE BATHS

Xonyx massive stone is a unique composite formula created by a leading European solid surface bath manufacturer Balteco. Xonyx massive stone is a homogeneous mixture of selected mineral fillers and polyester resin with acrylic compounds. Xonyx massive stone baths offer in addition to exclusive designs, innovative construction, superior structural durability and scratch resistant hard surface.

DUAL WALL DESIGN FOR COMFORT AND ENERGY SAVING

Xonyx design team has developed the unique dual wall architecture offering numerous advantages over regular single wall stone baths. The dual wall allows for a comfortable contoured internal surface whilst maintaining stylish external bath shapes offering a more relaxing and ergonomic bathing experience. Dual wall also reduces heat loss keeping Your bath water warm for longer and conserving energy.



WARM AND SILKY SURFACE

Xonyx massive stone bath surface is machined into a silky smooth surface quality which is pleasing to touch and easy to clean.



EASY TO INSTALL

To provide even, sturdy support for these baths and to ensure the weight is well distributed over floor area, a robust bottom support frame with height adjustable legs is integrated into the base of each Xonyx bath. Bath outer layer height is designed to hide the bottom support frame from the view and allow for the drain and on-floor siphon installation without a need for bathroom floor reconstruction.

BUILT-IN OVERFLOW

Xonyx baths all come with a discrete built-in overflow. A neat machined slot allows overflow water to drain through a sealed tube hidden in between dual walls. This hygienic solution also means there are no external overflow pipes or other visible fittings that would spoil the sleek Xonyx look.

WHITE XONYX WASTE

Xonyx baths are all fitted with a beautiful white Xonyx waste plug with durable and serviceable internal pop up mechanism. The absence of any visible chrome or metal fittings means Xonyx baths may be easily combined with tap mixers of any color or finishing.



ATTRACTIVE COLORED PANEL

As standard, Xonyx baths are offered in white finish. On request, outer panel can be painted and matt laquered into any color according to RAL color system.

DELIVERING THE PERFECT BATH

Xonyx baths are delivered in a protective plywood crate on a strong timber pallet in order to guarantee all world-wide shipments in pristine condition.



NEW!



AZUR

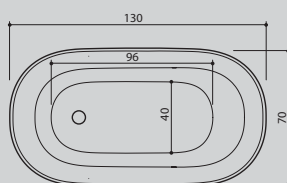
130, 140, 155

XONYX™

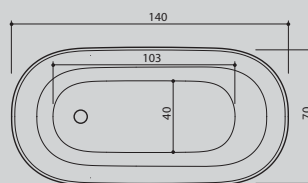


RAL option

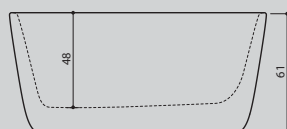
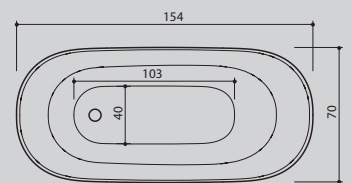
Azur 130
 Dimensions: 130 x 70 x 61 cm
 Capacity: 190 l
 Weight (neto): 75 kg



Azur 140
 Dimensions: 140 x 70 x 61 cm
 Capacity: 215 l
 Weight (neto): 90 kg



Azur 155
 Dimensions: 154 x 70 x 63 cm
 Capacity: 240 l
 Weight (neto): 99 kg





NEW!



FIORE

160, 180

XONYX™



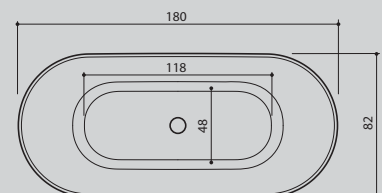
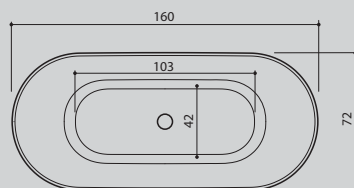
RAL option

Fiore 160

Dimensions: 160 x 72 x 61 cm

Capacity: 210 l

Weight (neto): 92 kg



Fiore 180

Dimensions: 180 x 82 x 63 cm

Capacity: 290 l

Weight (neto): 111 kg





NEW!

HALO

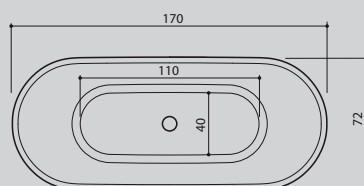


XONYX™



RAL option

Dimensions: 170 x 72 x 63 cm
Capacity: 250 l
Weight (neto): 110 kg





FLO

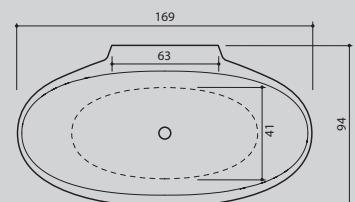
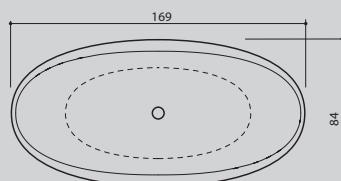


XONYX™

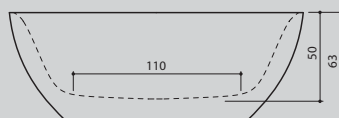


RAL option
(except for CW)

Dimensions: 169 x 84/94 x 63cm
Capacity: 240 l
Weight (neto): 107 kg



FLO CW





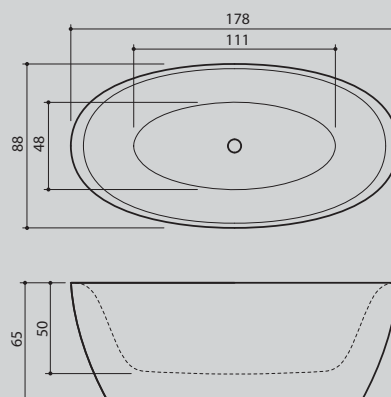
SENZO

XONYX™



RAL option

Dimensions: 178 x 88 x 65 cm
Capacity: 280 l
Weight (neto): 125 kg





VERO

XONYX™

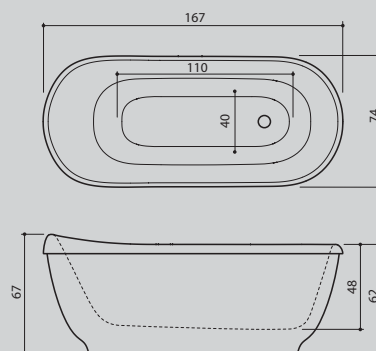


RAL option

Dimensions: 167 x 74 x 62/67 cm

Capacity: 230 l

Weight (neto): 99 kg

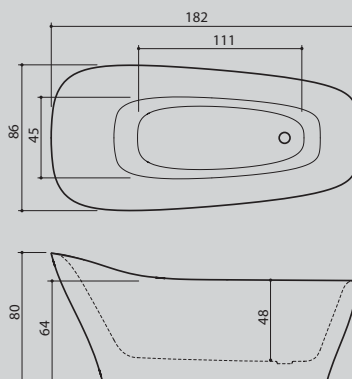




MEZZO

XONYX™

Dimensions: 182 x 86 x 64/80 cm
Capacity: 250 l
Weight (neto): 133 kg





GAMMA 150



XONYX™



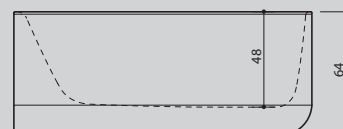
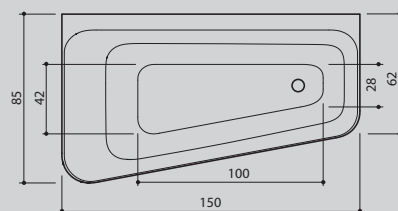
RAL option

Dimensions: 150 x 62/85 x 64 cm

Capacity: 240 l

Weight (neto): 85 kg

This bath is offered only as right hand bath.





GAMMA 160

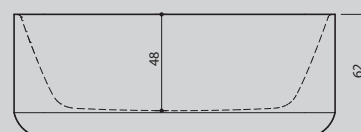
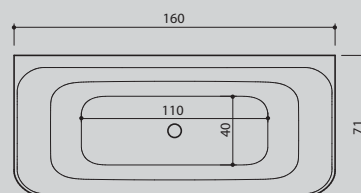


XONYX™



RAL option

Dimensions: 160 x 71 x 62 cm
Capacity: 260 l
Weight (neto): 95 kg





DUNE

XONYX™



CL



CW



CR



RAL option
(except for CW, CR, CL)

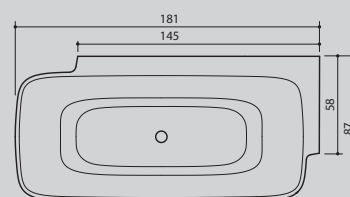
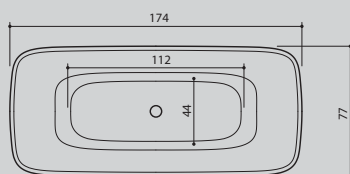
Dimensions: 174 x 77 x 63 cm

Dimensions (CW): 174 x 87 x 63 cm

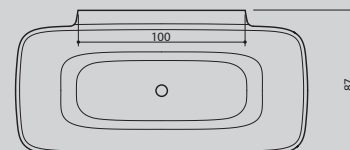
Dimensions (CL, CR): 181 x 87 x 63 cm

Capacity: 260 l

Weight (neto): 104 kg



DUNE CL/CR



DUNE CW



BATHTUB



HYDROMASSAGE BATH

PIANO



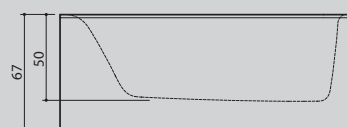
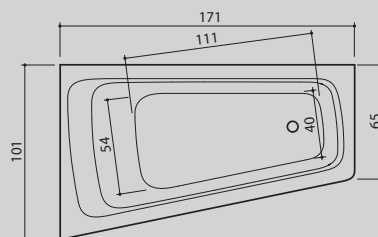
XONYX™

Dimensions: 171 x 101/65 x 67 cm

Capacity: 290 l

Weight (neto): 75/98 kg

Technical details: page 72





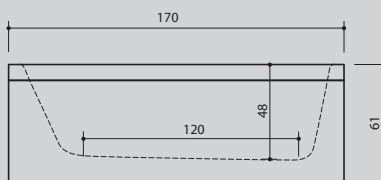
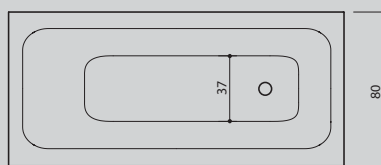
INTEGRA

170

XONYX™

Dimensions: 170 x 80 x 61 cm
Capacity: 260 l
Weight (neto): 96 kg

Technical details: page 72





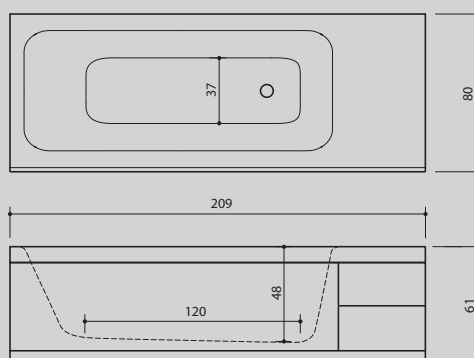
INTEGRA

210

XONYX™

Dimensions: 209 x 80 x 61 cm
 Capacity: 260 l
 Weight (neto): 141 kg

Technical details: page 72





SHOWER CABIN + STEAM SAUNA + WHIRLPOOL BATH

• Dimensions: 168 x 79 x 218 cm / 240 l

VARIO

Novel luxury "3-in-1" shower-steam cabin blends into bathrooms with different interior decoration styles and room sizes. Massive cabin is designed with a very sturdy and strong construction, and it is built on a massive stone bath with a massive stone shower panel from Xonyx™. Vario is offered in three different equipment levels.

XONYX™

Technical details: page 73





SHOWER CABIN + STEAM SAUNA

- Dimensions: 94 x 141 x 217 cm

TETRIS

Luxuriously spacious shower-steam cabin two people. Unique design, innovative engineering and smart layout solution support the installation of the cabin into the corner, onto a flat wall or in the center of the bathroom. Cabin's massage panel wall and shower tray are casted from Xonyx™ massive stone mixture which has superior mechanical properties: extra hard scratch resistant surface and high durability.

XONYX™

Technical details: page 73






ACRYLIC BATHS








MARKET LEADER IN HYDROMASSAGE INNOVATION

Balteco, as an experienced design and engineering company, sets trends in hydromassage bath design and innovation among the European manufacturers. All Balteco bath ranges are designed to offer eye-catching aesthetics, highly valuable functionality and unparalleled user comfort. More than 25 years of experience in design and development allows us to create and implement functionality features corresponding to the highest requirements and user expectations. Functions are work-safe, convenient, easy to use, and designed keeping in mind user satisfaction and well-being.

 **ABM™** Balteco was the first company to introduce adjustable backmassage systems (ABM™) – nowadays it has become a standard amongst quality manufacturers. Still, Balteco hydromassage baths offer more through the unique adjustable back massage system. Custom designed water diverter placed on a bath rim allows for smooth manual adjustment of the backmassage intensity from full power of backmassage to no back area massage at all.

 **ESA™** All Balteco hydromassage baths are equipped with a unique extra safety package ESA™ (Extra Safety Assurance). Package includes: a water level sensor preventing halogen underwater lighting and/or pumps from activating in an empty bath, a water inlet suction with high-volume suction cover and integrated safety valve, and double earthing.

 **DHP™** For larger interior size hydromassage baths Balteco offers in addition to a standard one pump system also a system with two powerful pumps DHP™ (Dual Hydromassage Power). DHP™ consists of two separately mounted massage systems with separates function and controls. One pump provides for an effective general hydromassage and the other one for the back and footmassage systems.

 **ETM™** As valuable enhancement to increase the intensity of hydromassage even further, Balteco offers to its massage baths electronic turbo massage systems ETM™ (Electronic Turbo Massage). Electronic function may be activated by an easy touch of a button and water-air mixture pressure from water jets is maximized.





Diverter



Air regulating button



Electronic turbomassage



Balteco custom designed chromotherapy lighting systems have been designed using the latest RGB LED technology delivering a wide variety of bright color tones or a slow color rotation program. An integrated lamp housing temperature controlling system avoids lamps overheating allowing the lighting function to be safely used also with low water levels or even without water.



An electronic bath fill-up assistance system allows for convenient and safe bath filling. Upon AutoFill activation the water flow from the bath mixer is automatically stopped when bath is full of water and system also gives attention sound signal.



A stylish minimalist hydromassage bath concept that combines the latest Balteco design and intelligent electronics supporting effective hydromassage system engineered without compromise. EasyTouch electronic panel allows direct control of every massage area (back, side or foot) and an activation of pre-programmed Therapy program. Waterproof stainless steel buttons are placed on the bath vertical inner wall for an easy access without a need to be getting out of a relaxing bathing position. Exclusive ultra sleek SlimLine jets from chrome plated brass and stylish accessories blend into the bath surface.

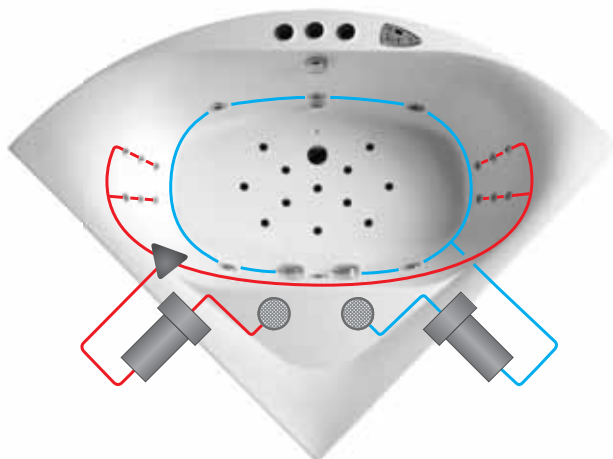


Exclusive series of massive stone baths of Xonyx range offer unique designs and the best SolidSurface technology. Baths are casted from a well mixed stone mass of resins and various mineral fillers. Latest technology ensures high quality and reliability. Due to superior mechanical characteristics Xonyx™ massive stone baths are very durable, and hence highly value adding and environment friendly.








All Balteco acrylic baths are produced from the highest quality sanitary cast acrylics supplied by Altuglas (France).
The best material for making baths:

- Durable
- Chemically resistant
- Non-allergenic
- Non-porous surface
- Easy to clean
- Low thermal conductivity
- Deep gloss
- Repairable



Massage system with two pumps (DHP™)

COMPARISON OF MASSAGE SYSTEMS

	S2 Aero	S3 Hydro	S4 Combi	S5 HydroLux	S6 HydroLuxPlus
					
Standard	<ul style="list-style-type: none"> Airmassage (500 W) 	<ul style="list-style-type: none"> Hydromassage (900-1100 W) 	<ul style="list-style-type: none"> Airmassage (500 W) Hydromassage (900-1100 W) 	<ul style="list-style-type: none"> Hydromassage (1500 W) Halogen 	<ul style="list-style-type: none"> Hydromassage (2 Pumps) (1500 W / 1100 W) Halogen
		<ul style="list-style-type: none"> Standard jets Extra Safety Assurance Adjustable Back Massage 	<ul style="list-style-type: none"> Standard jets Extra Safety Assurance Adjustable Back Massage 	<ul style="list-style-type: none"> SlimLine jets Extra Safety Assurance Adjustable Back Massage 	<ul style="list-style-type: none"> SlimLine jets Extra Safety Assurance Adjustable Back Massage Dual Hydromassage Power
Optional	<ul style="list-style-type: none"> Halogen Therapy Lighting AmbiLight AutoFill 	<ul style="list-style-type: none"> Halogen Therapy Lighting AmbiLight AutoFill 	<ul style="list-style-type: none"> Halogen Therapy Lighting AmbiLight AutoFill Mechanical Turbo Massage 	<ul style="list-style-type: none"> Therapy Lighting AmbiLight AutoFill 	<ul style="list-style-type: none"> Therapy Lighting AmbiLight AutoFill



PANEL+

REGULAR PANEL

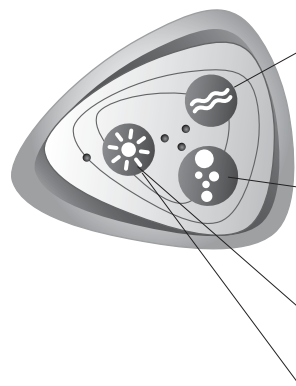
PANEL+

In order to provide aesthetic look and purity in details, PANEL+ solution offers higher value-add than any other producer on the market.

Advantages of PANEL+

- ① L-type acrylic panels without visible connection
- ② Curved panel ends (no visible cutting lines)
- ③ Clean panels without screw caps – unique magnet fastening of panels

CONTROL PANEL EVO



To switch the hydromassage ON/OFF (a signal lamp shall light up upon the operation). The water massage operates without a break for 30 minutes and then switches off.

To switch the airmassage ON/OFF (a signal lamp shall light up upon the operation). The air massage operates without a break for 30 minutes and then switches off.

Chromotherapy lighting systems.

To switch the light ON/OFF. A signal lamp shall light up at the panel while the light is on.

S7 CombiLux

S8 CombiLuxPlus

S9 Exclusive

S10 ExclusivePlus

S11 SlimLineHydro



Airmassage

500 W

Hydromassage

1500 W

Halogen

Automatic dry-blowing

SlimLine jets

Extra Safety Assurance

Adjustable Back Massage

Airmassage

500 W

Hydromassage (2 Pumps)

1500 W 1100 W

Halogen

Automatic dry-blowing

SlimLine jets

Extra Safety Assurance

Adjustable Back Massage

Dual Hydromassage Power

Airmassage (2 Blowers)

500 W 500 W

Hydromassage

1500 W

Therapy Lighting

Automatic dry-blowing

SlimLine jets

Extra Safety Assurance

Adjustable Back Massage

Electronic Turbo Massage

Airmassage (2 Blowers)

500 W 500 W

Hydromassage (2 Pumps)

1500 W 1100 W

Therapy Lighting

Automatic dry-blowing

SlimLine jets

Extra Safety Assurance

Adjustable Back Massage

Dual Hydromassage Power

Electronic Turbo Massage

Hydromassage

1500 W

Therapy program

SlimLine jets

Extra Safety Assurance

Adjustable Back Massage

Therapy Lighting

AmbiLight

AutoFill

Mechanical Turbo Massage

Therapy Lighting

AmbiLight

AutoFill

Mechanical Turbo Massage

AmbiLight

AutoFill

AmbiLight

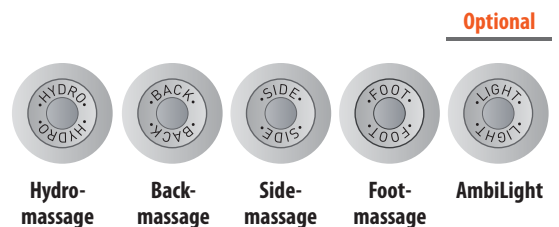
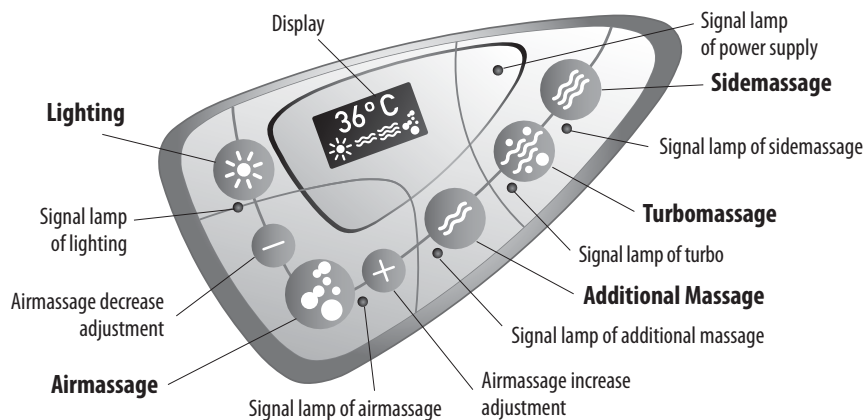
AutoFill

AmbiLight

AutoFill

CONTROL PANEL EVO+

SLIMLINE HYDRO





FORMA

150; 160; 170; 180

acrylic



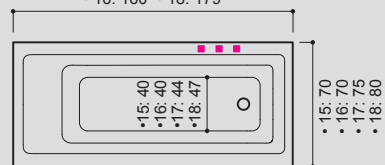
150 • Dimensions: 150x70x61 cm
• Capacity: 190 l

160 • Dimensions: 160x70x62 cm
• Capacity: 210 l

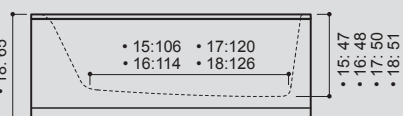
170 • Dimensions: 170x75x64 cm
• Capacity: 265 l

180 • Dimensions: 179x80x65 cm
• Capacity: 300 l

• 15: 150 • 17: 170
• 16: 160 • 18: 179



• 15: 61
• 16: 62
• 17: 64
• 18: 65



Technical details: page 74



FORMA

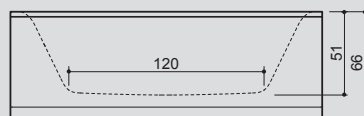
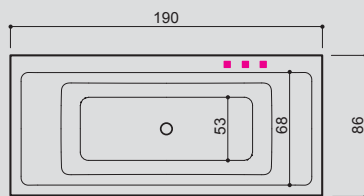
190

acrylic

PANEL+

- Dimensions: 190x86x66 cm
- Capacity: 330 l

Technical details: page 74





MODUL

150; 160; 170

acrylic

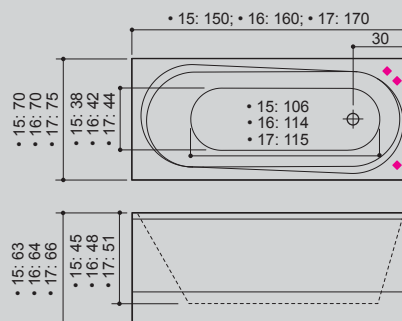


150 • Dimensions: 150x70x63 cm
• Capacity: 205 l

160 • Dimensions: 160x70x64 cm
• Capacity: 230 l

170 • Dimensions: 170x75x66 cm
• Capacity: 260 l

Technical details: page 75





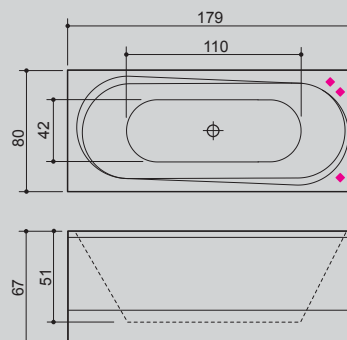
MODUL 180

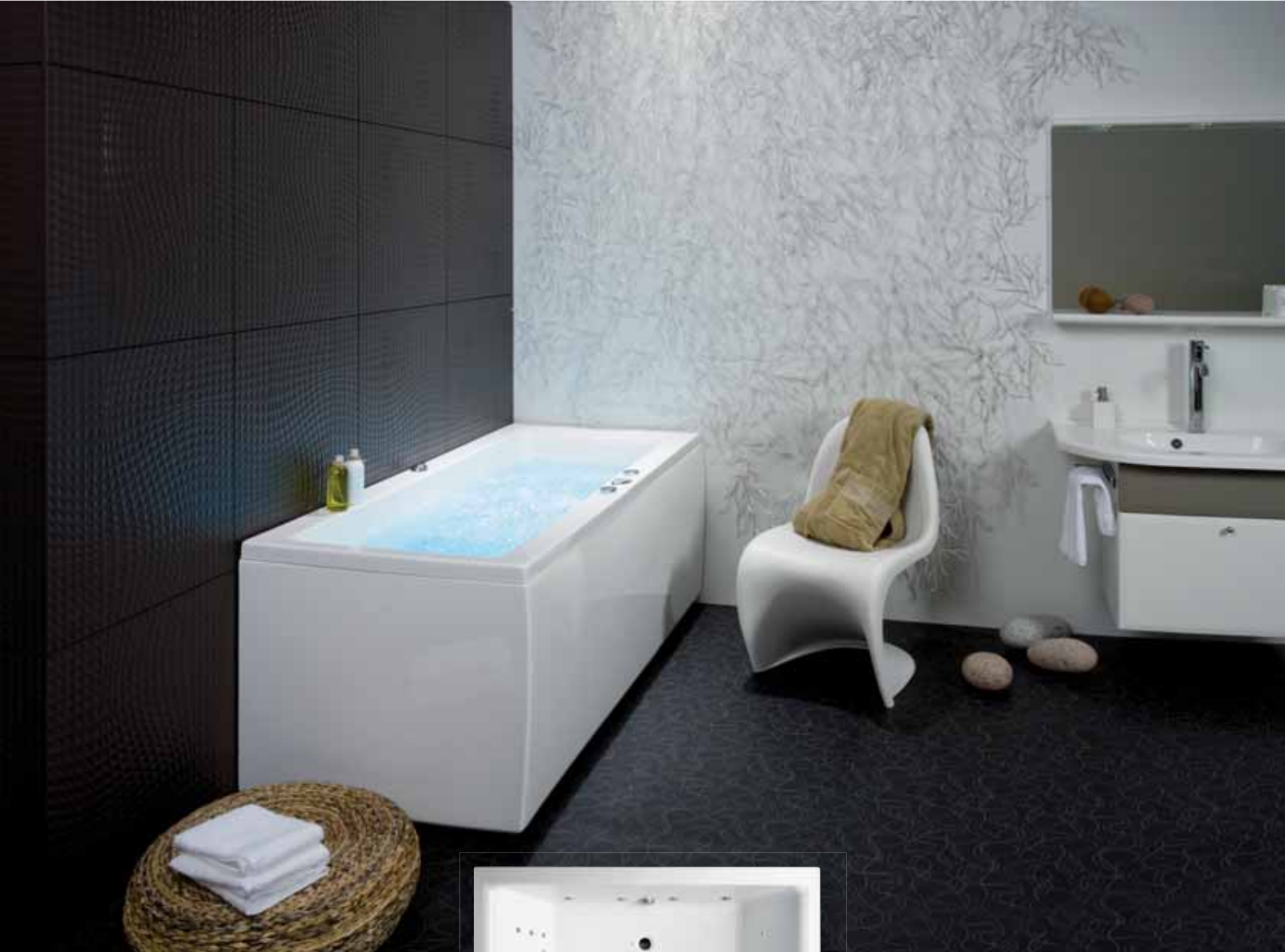
acrylic

PANEL+

- Dimensions: 179x80x67 cm
- Capacity: 250 l

Technical details: page 75





ROMA

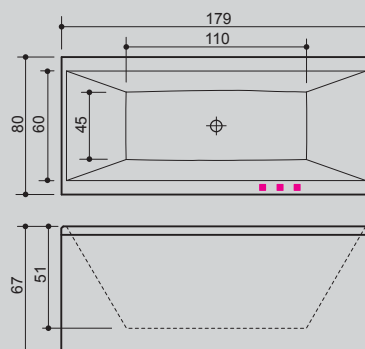


acrylic

PANEL+

- Dimensions: 179x80x67 cm
- Capacity: 235 l

Technical details: page 76





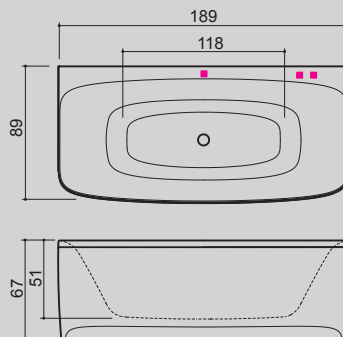
LOOP

acrylic

PANEL+

- Dimensions: 189x89x67 cm
- Capacity: 300 l

Technical details: page 76





ECLIPSE

150; 160; 170

acrylic

PANEL+

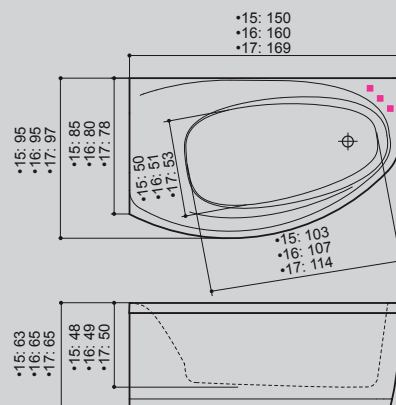


150 • Dimensions: 150x95x63 cm
• Capacity: 220 l

160 • Dimensions: 160x95x65 cm
• Capacity: 240 l

170 • Dimensions: 169x97x65 cm
• Capacity: 280 l

Technical details: page 77





IDEA

150; 160; 170

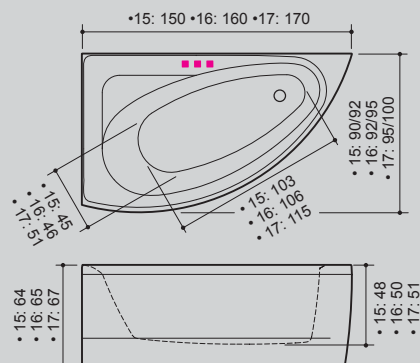
acrylic

PANEL+

150 • Dimensions: 150x92x64 cm
• Capacity: 180 l

160 • Dimensions: 160x95x65 cm
• Capacity: 205 l

170 • Dimensions: 170x100x67 cm
• Capacity: 235 l



Technical details: page 77



RHEA

150; 160; 170

acrylic



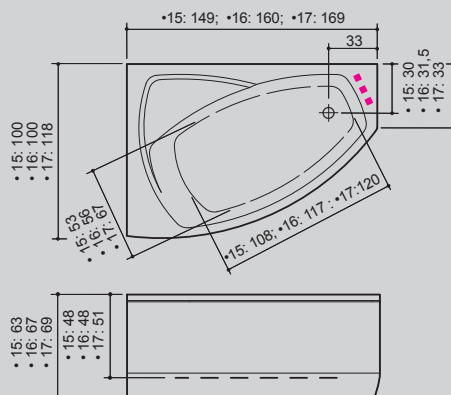
PANEL+

150 • Dimensions: 149x100x63 cm
• Capacity: 230 l

160 • Dimensions: 160x100x67 cm
• Capacity: 300 l

170 • Dimensions: 169x118x69 cm
• Capacity: 335 l

Technical details: page 78





CALI

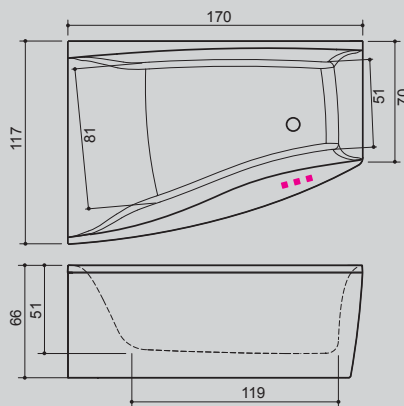
acrylic



PANEL+

- Dimensions: 170x117x66 cm
- Capacity: 380 l

Technical details: page 79





ORION

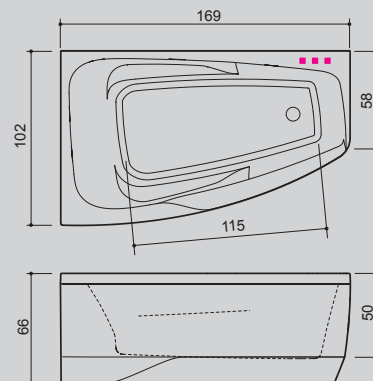


acrylic

PANEL+

- Dimensions: 169x102x66 cm
- Capacity: 300 l

Technical details: page 79





LINEA

140; 150

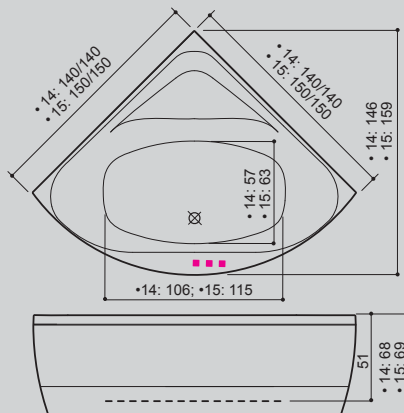
acrylic

PANEL+

140 • Dimensions: 140x140x68 cm
• Capacity: 280 l

150 • Dimensions: 150x150x69 cm
• Capacity: 330 l

Technical details: page 80





METRO

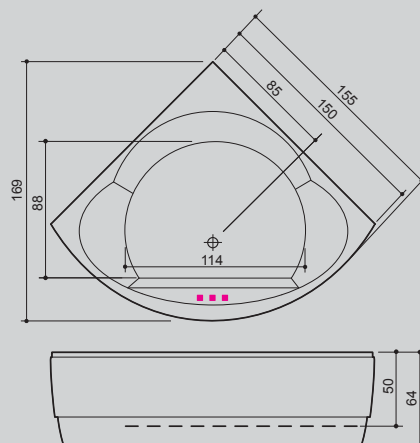


acrylic

PANEL+

- Dimensions: 155x155x64 cm
- Capacity: 430 l

Technical details: page 80





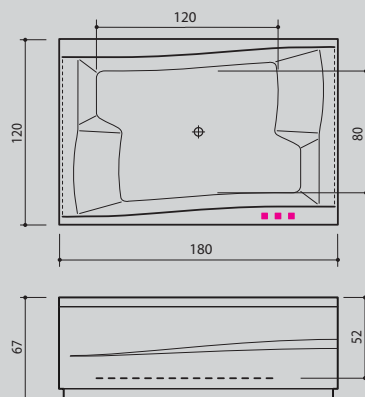
SCALA

acrylic

PANEL+

- Dimensions: 180x120x67 cm
- Capacity: 535 l

Technical details: page 81





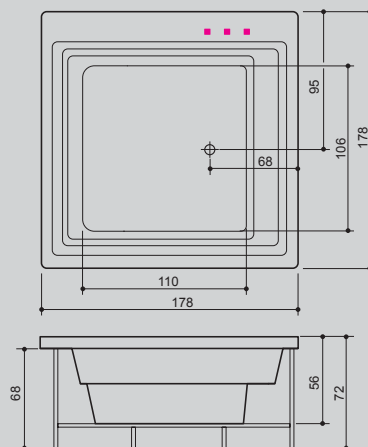
QUADRUM



acrylic

- Dimensions: 178x178x72 cm
- Capacity: 600 l

Technical details: page 81





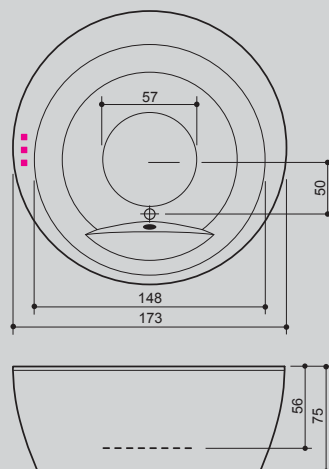
MADONNA XL



acrylic

- Dimensions: Ø 173 x 75 cm
- Capacity: 475 l

Technical details: page 82



SHOWER WALLS FOR BATHS



ECLIPSE



RHEA



LINEA



IDEA



RECTANGULAR



FORMA 170

SHOWER WALL FOR ECLIPSE 150, 160, 170

Shower wall consists of a shower wall with sliding door and a shower panel with integrated shower mixer, hand shower, spout for bath water filling and rain shower. Also, shower panel is equipped with support handle assisting user entering and exiting bath, and waterproof mirror. Shower wall is offered with 6 mm toned grey safety glass (T2) and painted grey aluminum profiles.

Height: 155 cm; Minimum installation height: 225 cm.

CODE:	Eclipse 150:	E51/VES (left)	E52/VES (right)
	Eclipse 160:	E61/VES (left)	E62/VES (right)
	Eclipse 170:	E71/VES (left)	E72/VES (right)

SHOWER WALL FOR RHEA 150, 160

Shower wall for Rhea is produced from 6mm toned grey safety glass (T2) and anodized aluminium profiles.

Height: 153 cm; Minimum installation height: 220 cm.

CODE:	Rhea 150:	RH5/VES
	Rhea 160:	RH6/VES

SHOWER WALL FOR LINEA 140, 150

Shower wall consists of immovable glass wall and closing sliding glass door. Shower wall is produced from 6 mm toned grey safety glass (T2) and silver finishing aluminium profiles.

Height: 155 cm; Minimum installation height: 225 cm.

CODE:	Linea 140:	LI4/VES
	Linea 150:	LI5/VES

SHOWER WALL FOR IDEA 150, 160, 170

Shower wall consists of immovable glass wall and closing sliding glass door. Shower wall is produced from 6 mm toned grey safety glass (T2) and silver finishing aluminium profiles.

Height: 155 cm; Minimum installation height: 225 cm

CODE:	Idea 150:	ID5/VES
	Idea 160:	ID6/VES
	Idea 170:	ID7/VES

SHOWER WALL FOR RECTANGULAR BATHS

Shower wall for rectangular baths is produced using 6 mm safety glass and aluminium profiles. Shower wall is installed on strap hinge that enables to turn the shower wall both directions. Option for baths:

- Forma 150, 160, 170, 180, 190
- Modul 150, 160, 170, 180
- Roma

Dimensions: 86 x 150 cm

CODE:	VS1/T1 (transparent glass)
	VS1/T2 (toned grey glass)

SHOWER WALL FOR BATH FORMA 170

Shower wall is produced from 6 mm transparent (T1) or toned grey (T2) safety glass and aluminium profiles (PrA - anodized or PrG - glanz). The shower wall consists of immovable side/front glass wall and closing sliding glass door. The layout of the the shower wall is defined by the bath front panels.

Height: 155 cm; Minimum installation height: 225 cm

CODE:	FO7/VES/T1 (transparent glass)
	FO7/VES/T2 (toned grey glass)

ACCESSORIES



CHROMOTHERAPY LIGHTING SYSTEM

Underwater lighting system with four ultra bright LED lamps with six different color tones. The lighting system provides for slow and smooth underwater color rotation program or any of the single colors may be chosen. This option is available for any system/bath, except system S11.
Code: KLA*4.



HALOGEN LIGHTING

One-lamp underwater lighting with chrome-plated brass halogen lamp (35W, 12V). This option is available for any system/bath, except system S11.
Code: LA



AMBILIGHT

Powerful one-lamp chromotherapy lighting systems. Using the latest RGB LED technology, AmbiLight delivers a wide variety of bright color tones or a slow color rotation program. This option is available for any system/bath.
Code: AL



AUTOFILL

An electronic bath fill-up assistance system allows for convenient and safe bath filling. Upon AutoFill activation the water flow from the bath mixer is automatically stopped when bath is full of water and system also gives attention sound signal. This option is available for any system/bath.
Code: AF



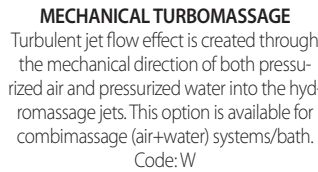
OVERFLOW FILLING

Bath filling through the overflow. Alternative option for mixers without spout. This option is available for any system/bath.
Code: OS



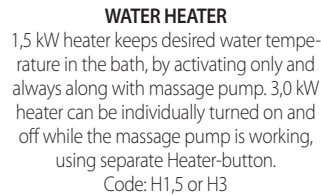
SUPERSOFT PILLOW

Code: MSV



MECHANICAL TURBOMASSAGE

Turbulent jet flow effect is created through the mechanical direction of both pressurized air and pressurized water into the hydromassage jets. This option is available for combimassage (air+water) systems/bath.
Code: W



WATER HEATER

1,5 kW heater keeps desired water temperature in the bath, by activating only and always along with massage pump. 3,0 kW heater can be individually turned on and off while the massage pump is working, using separate Heater-button.
Code: H1,5 or H3

CLEANING PRODUCTS



Cleaning agent for Xonyx surfaces

Code: PX



Cleaning agent for acrylic surfaces

Code: PA



Cleaning agent for shower glass

Code: PK



Disinfecting detergent for pipes PipeCleaner

Code: PD

BATH MIXERS



CHRISTINA C1



CHRISTINA C2



CHRISTINA C1Z1
with semi-concealed hand shower



CHRISTINA C2Z1
with semi-concealed hand shower



DAMIXA CLOVER DC



ALPI A3



DAMIXA JUPITER DJ1



IMPROVEMENT OF LIVING QUALITY



1 Underwater massage joins the effect of aquatic environment and massage, where the body is simultaneously affected by both the temperature of water and the pressure of water jets on body surface.



6 Heart rate will go up in a hot bath, while blood pressure drops and muscle tone is relaxed. Sweating contributes to detoxification and rejuvenation process of the body.



2 Massage, on its turn is enhanced by applying pressure on specific parts of the body.

7 It is scientifically proven that both mental and physical stress is relieved during bathing procedure.



3 The hydromassage baths, designed by Balteco specifically for domestic use, are part of healthy lifestyle. Massage eases muscle tensions, caused by work or exercise, but also provides relief in the case of many diseases as an additional therapy, contributing to better life quality.



8 In moderate water temperature the heart rate will actually drop, in average, by 6-10 beats per minute. The smaller blood vessels will widen, blood pressure drops and blood circulation improves.



4 The thermal conductivity of water is 23 times higher than that of the air. This provides for excellent means of heat transition and effective therapy.



9 Prolonged hydrotherapy will speed up metabolism and excessive fluids, sodium and potassium will be removed from body, thus balancing skin well-being.



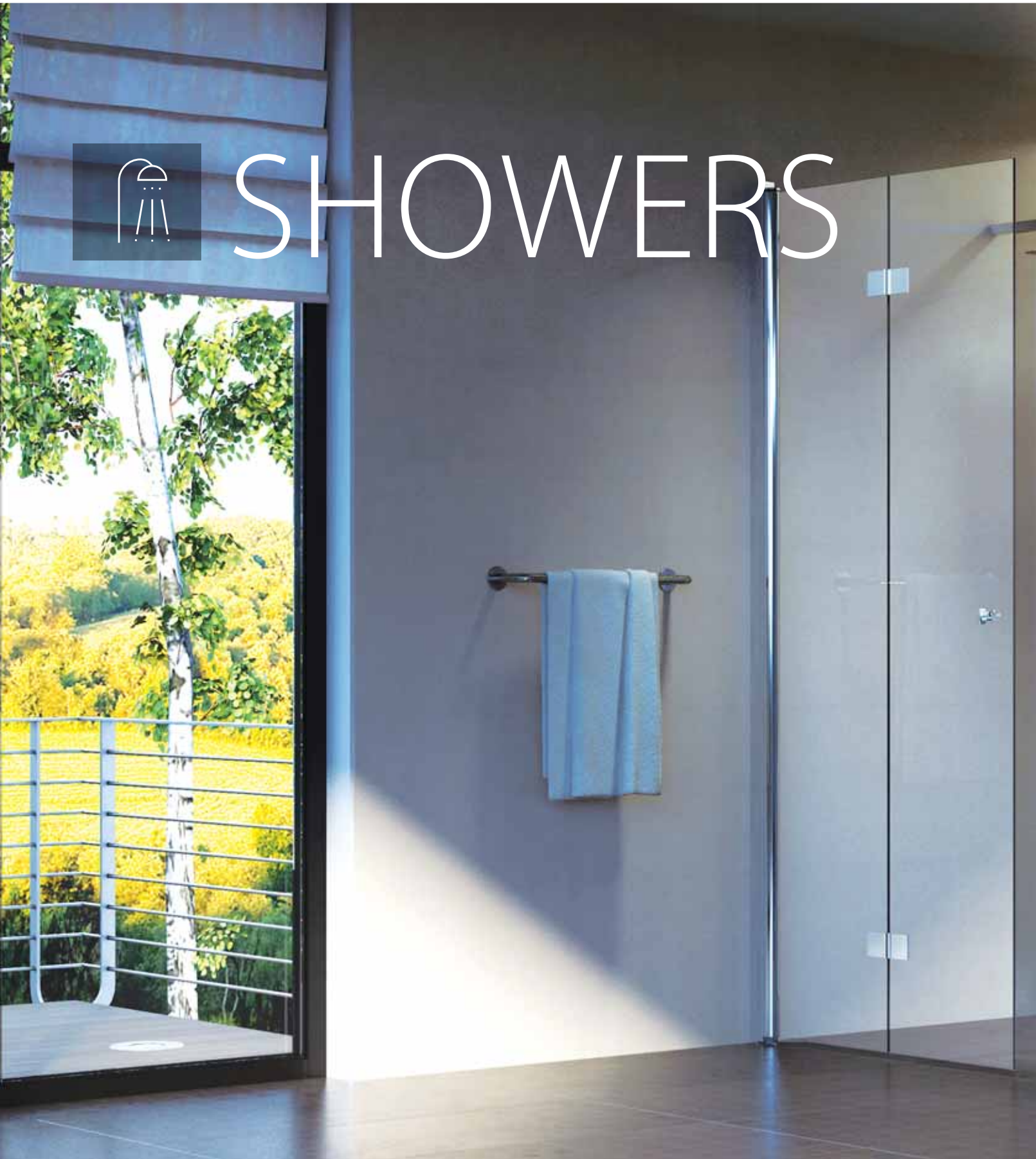
5 The level of at least three different hormones, related to stress, will drop in blood during a bathing session.



10 Long hydrotherapy procedure in water can be enjoyed at a temperature, which matches, more or less, the temperature of body.



SHOWERS







MAKRO

Makro shower corner is a combination of cubicle cabin or screen and complementing shower tray with options of low and high version. Cabin is made of straight transparent (T1) 8 mm safety glass, aluminium profiles and has closing sliding door. WALK-IN screen is made of straight 10 mm transparent (T1) safety glass wall. Tray is made of very strong and durable Xonyx™ massive stone.

Shower tray: 90x120 cm / 90x140 cm / 90x160 cm / 90x180 cm

Cabin: 90x120x200 cm / 90x140x200 cm

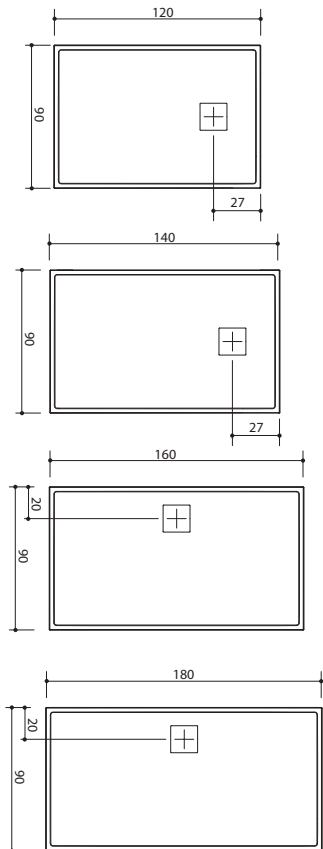
WALK-IN screen: 90x160x201 cm / 90x180x201 cm

Shower tray has two possible height options:

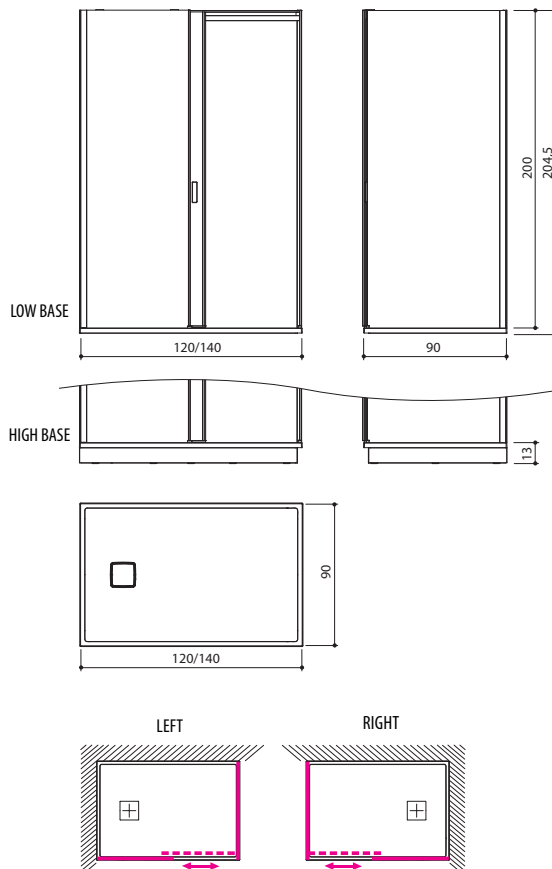
- Low base (for in-floor mounting 4,5 cm)
- High base (for on-floor mounting 13 cm; not available for WALK-IN screen)



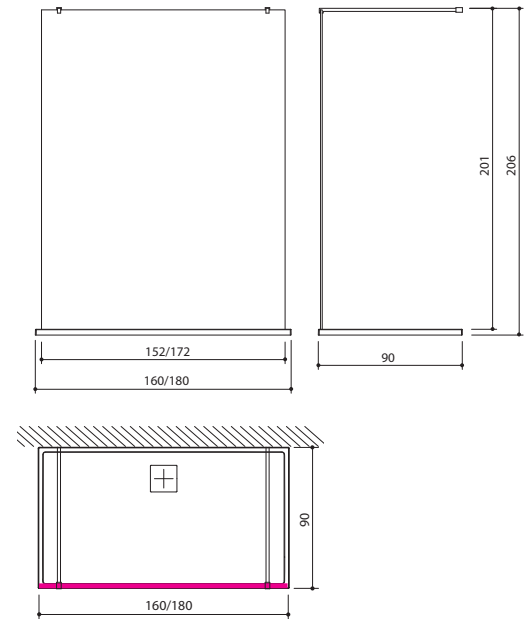
SHOWER TRAY



SHOWER CORNER with CABIN



SHOWER CORNER with WALK-IN SCREEN





LINE HIGH-LINE EXTRA-LINE

FIXED SHOWER WALL (FSS2, FSS3, FSS4) FOR ISOLATING SHOWER AREA OR PROTECTING BATHROOM FURNITURE

AVAILABLE IN DIFFERENT HEIGHT: LINE IN 190 CM, HIGH-LINE IN 225 CM OR EXTRA-LINE IN VARIABLE HEIGHT

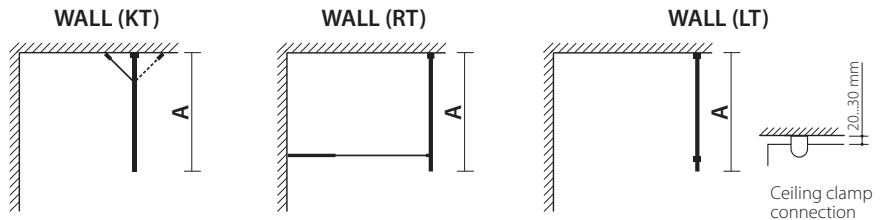
AVAILABLE IN STANDARD OR CUT-TO-MEASURE WIDTH

PRODUCT INCLUDES:

LINE: 190 cm high fixed wall, 6 mm safety clear glass (T1), aluminium profile (anodized, PrA or glanz, PrG), supporting bar (diagonal), floor U-profile, fixing components

HIGH-LINE: 225 cm high fixed wall, 6 mm safety clear glass (T1; 8 mm glass for High-Line over 65 cm in width), aluminium profile (anodized, PrA or glanz, PrG), supporting bar (diagonal), floor U-profile, fixing components

EXTRA-LINE: 200-250 cm high fixed wall, 8 mm safety clear glass (T1), aluminium profile (anodized, PrA or glanz, PrG), supporting bar (diagonal), floor U-profile, fixing components



Code*	Description	A (wall)
FSS2/35/FT1/Prx	35 cm fixed shower wall LINE	35 cm
FSS2/45/FT1/Prx	45 cm fixed shower wall LINE	45 cm
FSS2/55/FT1/Prx	55 cm fixed shower wall LINE	55 cm
FSS2/65/FT1/Prx	65 cm fixed shower wall LINE	65 cm
FSS2/X/FT1/Prx	(35-100 cm) fixed shower wall LINE	-
FSS3/55/FT1/Prx	55 cm fixed shower wall HIGH-LINE	55 cm
FSS3/65/FT1/Prx	65 cm fixed shower wall HIGH-LINE	65 cm
FSS3/X/FT1/Prx	(35-64 cm) fixed shower wall HIGH-LINE	-
FSS3/X/FT1/Prx	(65-100 cm) fixed shower wall HIGH-LINE	-
FSS4/X+Y/FT1/Prx	(width X: 65-120 cm, height Y: 200-250 cm) fixed shower wall EXTRA-LINE**	-

* Variable parameter in the code: PrX - profile type; X - product width, cm

** Ceiling clamp connection requires 20...30 mm gap between glass and ceiling.

ACCESSORIES:

- RT Supporting bar (90 degree)
- LT6 Ceiling clamp (6 mm glass)
- LT8 Ceiling clamp (8 mm glass)

FORM

200 CM HIGH COMBINATED SHOWER CORNER FROM PIVOT DOOR (PSS1) AND FIXED WALL (FSS1).

PRODUCT IS REVERSABLE ACCORDING TO THE FLOOR PLANNING. FORM IS DELIVERED IN TWO PACKAGES.

PRODUCT INCLUDES:

Door: 200 cm high straight pivot door, 6 mm safety glass (clear, T1 or toned, T2), aluminium profile (anodized, PrA or glanz, PrG), chrome-plated brass handle, front closing magnetic trim, fixing components

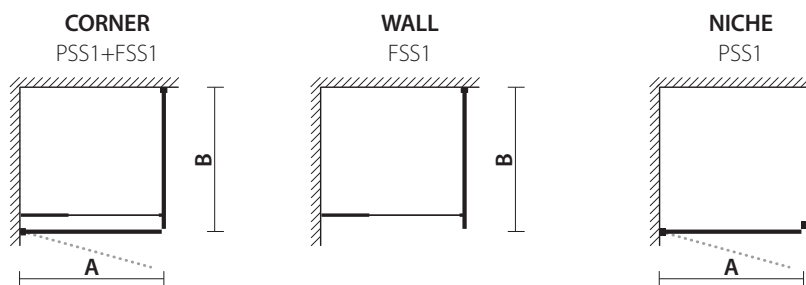
Wall: 200 cm high fixed wall, 6 mm safety glass (clear, T1 or toned, T2), aluminium profile (anodized, PrA or glanz, PrG), supporting bar (90 degree), floor U-profile, fixing components



FORM (corner)



FORM (wall)



Code*	Description	A *** (niche)	B (wall)	A/B (corner)
PSS1/80/Ftx/PrA	80 cm straight shower door FORM, anodized profile	780 mm	78 cm	80 cm
PSS1/80/Ftx/PrG	80 cm straight shower door FORM, glanz profile	780 mm	78 cm	80 cm
PSS1/90/Ftx/PrA	90 cm straight shower door FORM, anodized profile	880 mm	88 cm	90 cm
PSS1/90/Ftx/PrG	90 cm straight shower door FORM, glanz profile	880 mm	88 cm	90 cm
PSS1/X/Ftx/PrA	(70-95 cm) straight shower door FORM, anod profile	X	—	X+2 cm
PSS1/X/Ftx/PrG	(70-95 cm) straight shower door FORM, glanz profile	X	—	X+2 cm
FSS1/80/Ftx/PrA	80 cm fixed shower wall FORM, anodized profile	—	78 cm	80 cm
FSS1/80/Ftx/PrG	80 cm fixed shower wall FORM, glanz profile	—	78 cm	80 cm
FSS1/90/Ftx/PrA	90 cm fixed shower wall FORM, anodized profile	—	88 cm	90 cm
FSS1/90/Ftx/PrG	90 cm fixed shower wall FORM, glanz profile	—	88 cm	90 cm
FSS1/X/Ftx/PrA	(40-95 cm) fixed shower wall FORM, anod profile**	—	X	X+2 cm
FSS1/X/Ftx/PrG	(40-95 cm) fixed shower wall FORM, glanz profile**	—	X	X+2 cm

* Variable parameter in the code: Ftx - glass type; X - product width, cm

** Niche placement requires measure of the niche at 3 heights (bottom, middle, upper)

*** A - width of the niche. On niche placement ensure the product installation tolerance of ±5 mm is sufficient.

ACCESSORIES:

- VPM1 Opposite wall profile with magnet (for niche placement)
- KT Supporting bar (diagonal)

ARC

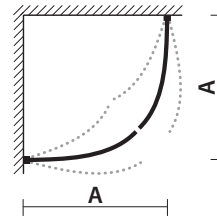
CURVED SHOWER CORNER (PNK2)

PRODUCT INCLUDES:

190 cm high curved pivot door (2 pcs), 6 mm safety glass (clear, T1 or toned, T2), aluminium profile (anodized, PrA or glanz, PrG), chrome-plated brass handle (2 pcs), front closing magnetic trim (2 pcs), floor gasket (2 pcs), fixing components.



CORNER



Code*	Description	A (corner)
PNK2/80/FTx/PrA	80x80 cm curved shower corner ARC, anodized profile	80 cm
PNK2/80/FTx/PrG	80x80 cm curved shower corner ARC, glanz profile	80 cm
PNK2/90/FTx/PrA	90x90 cm curved shower corner ARC, anodized profile	90 cm
PNK2/90/FTx/PrG	90x90 cm curved shower corner ARC, glanz profile	90 cm

* Variable parameter in the code: FTx - glass type

AXIS

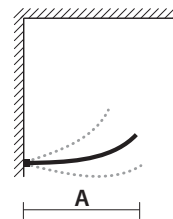
CURVED SHOWER DOOR WITH NO HANDLE (PSK3)

PRODUCT INCLUDES:

190 cm high curved pivot door, 6 mm safety glass (clear, T1 or toned, T2), aluminium profile (anodized, PrA or glanz, PrG), floor gasket, fixing components



DOOR



Code*	Description	A (door)
PSK3/63/FTx/PrA	63 cm curved shower door AXIS, anodized profile	63 cm
PSK3/63/FTx/PrG	63 cm curved shower door AXIS, glanz profile	63 cm
PSK3/73/FTx/PrA	73 cm curved shower door AXIS, anodized profile	73 cm
PSK3/73/FTx/PrG	73 cm curved shower door AXIS, glanz profile	73 cm

* Variable parameter in the code: FTx - glass type

MODE

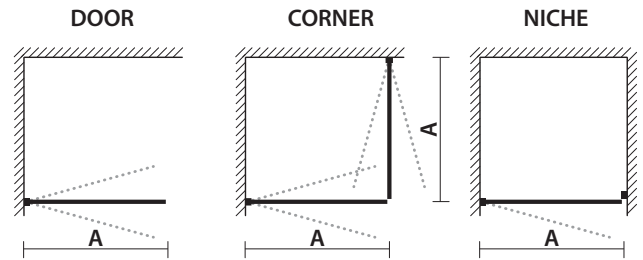
STRAIGHT SHOWER DOOR (PSS2) WITH DIFFERENT LAYOUT OPTIONS
 INSTALLATION OF SHOWER CORNER REQUIRES TWO MODE DOORS

PRODUCT INCLUDES:

190 cm high straight pivot door, 6 mm safety glass (clear, T1 or toned, T2), aluminium profile (anodized, PrA or glanz, PrG), chrome-plated brass handle, front closing magnetic trim, floor gasket, fixing components



MODE (corner)



Code*	Description	A *** (niche)	A (door)	A (corner)
PSS2/70/Ftx/PrA	70 cm straight shower door MODE, anodized profile	680 mm	68 cm	70 cm
PSS2/70/Ftx/PrG	70 cm straight shower door MODE, glanz profile	680 mm	68 cm	70 cm
PSS2/80/Ftx/PrA	80 cm straight shower door MODE, anodized profile	780 mm	78 cm	80 cm
PSS2/80/Ftx/PrG	80 cm straight shower door MODE, glanz profile	780 mm	78 cm	80 cm
PSS2/90/Ftx/PrA	90 cm straight shower door MODE, anodized profile	880 mm	88 cm	90 cm
PSS2/90/Ftx/PrG	90 cm straight shower door MODE, glanz profile	880 mm	88 cm	90 cm
PSS2/X/Ftx/PrA	(60-95 cm) straight shower door MODE, anod profile**	X	X	X+2 cm
PSS2/X/Ftx/PrG	(60-95 cm) straight shower door MODE, glanz profile**	X	X	X+2 cm

* Variable parameter in the code: Ftx - glass type; X - product width, cm

** Niche placement requires measure of the niche at 3 heights (bottom, middle, upper)

*** A - width of the niche. On niche placement ensure the product installation tolerance of ±5 mm is sufficient.

ACCESSORIES:

VPM2 Opposite wall profile with magnet (for niche placement)



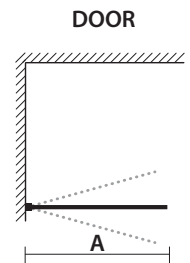
SOLA

SOLA

STRAIGHT SHOWER DOOR WITH NO HANDLE (PSS3)

PRODUCT INCLUDES:

190 cm high straight pivot door, 6 mm safety glass (clear, T1 or toned, T2), aluminium profile (anodized, PrA or glanz, PrG), floor gasket, fixing components



Code*	Description	A (door)
PSS3/70/Ftx/PrA	70 cm straight shower door SOLA, anodized profile	68 cm
PSS3/70/Ftx/PrG	70 cm straight shower door SOLA, glanz profile	68 cm
PSS3/80/Ftx/PrA	80 cm straight shower door SOLA, anodized profile	78 cm
PSS3/80/Ftx/PrG	80 cm straight shower door SOLA, glanz profile	78 cm
PSS3/90/Ftx/PrA	90 cm straight shower door SOLA, anodized profile	88 cm
PSS3/90/Ftx/PrG	90 cm straight shower door SOLA, glanz profile	88 cm
PSS3/X/Ftx/PrA	(60-95 cm) straight shower door SOLA, anodized profile	X
PSS3/X/Ftx/PrG	(60-95 cm) straight shower door SOLA, glanz profile	X

* Variable parameter in the code: Ftx - glass type; X - product width cm

FOLD

FOLDING PIVOT SHOWER DOOR (PSV2) WITH DIFFERENT LAYOUT OPTIONS

INSTALLATION OF SHOWER CORNER REQUIRES TWO FOLD DOORS

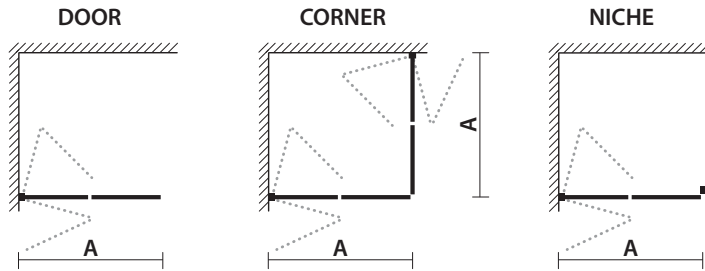
PSI FOLD is not reversible

PRODUCT INCLUDES:

190 cm high folding pivot door, 6 mm safety glass (clear, T1), aluminium profile (anodized, PrA or glanz, PrG), chrome-plated brass folding hinges, chrome-plated brass handle, front closing magnetic trim, floor gasket, fixing components



FOLD (corner)



Code*	Description	A *** (niche)	A (door)	A (corner)
PSV2L/70/FT1/PrA	70 cm straight folded shower door FOLD, anodized profile (left)		680 mm	68 cm
PSV2R/70/FT1/PrA	70 cm straight folded shower door FOLD, anodized profile (right)		680 mm	68 cm
PSV2L/70/FT1/PrG	70 cm straight folded shower door FOLD, glanz profile (left)		680 mm	68 cm
PSV2R/70/FT1/PrG	70 cm straight folded shower door FOLD, glanz profile (right)		680 mm	68 cm
PSV2L/80/FT1/PrA	80 cm straight folded shower door FOLD, anodized profile (left)		780 mm	78 cm
PSV2R/80/FT1/PrA	80 cm straight folded shower door FOLD, anodized profile (right)		780 mm	78 cm
PSV2L/80/FT1/PrG	80 cm straight folded shower door FOLD, glanz profile (left)		780 mm	78 cm
PSV2R/80/FT1/PrG	80 cm straight folded shower door FOLD, glanz profile (right)		780 mm	78 cm
PSV2L/90/FT1/PrA	90 cm straight folded shower door FOLD, anodized profile (left)		880 mm	88 cm
PSV2R/90/FT1/PrA	90 cm straight folded shower door FOLD, anodized profile (right)		880 mm	88 cm
PSV2L/90/FT1/PrG	90 cm straight folded shower door FOLD, glanz profile (left)		880 mm	88 cm
PSV2R/90/FT1/PrG	90 cm straight folded shower door FOLD, glanz profile (right)		880 mm	88 cm
PSV2L/X/FT1/PrA	(60-95 cm) straight folded shower door FOLD, anod profile (left)**		X	X
PSV2R/X/FT1/PrA	(60-95 cm) straight folded shower door FOLD, anod profile (right)**		X	X
PSV2L/X/FT1/PrG	(60-95 cm) straight folded shower door FOLD, glanz profile (left)**		X	X
PSV2R/X/FT1/PrG	(60-95 cm) straight folded shower door FOLD, glanz profile (right)**		X	X

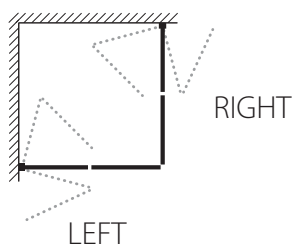
* Variable parameter in the code: X - product width, cm

** Niche placement requires measure of the niche at 3 heights (bottom, middle, upper)

*** A - width of the niche. On niche placement ensure the product installation tolerance of ±5 mm is sufficient.

ACCESSORIES:

VPM2 Opposite wall profile with magnet (for niche placement) 50.-



VIBE

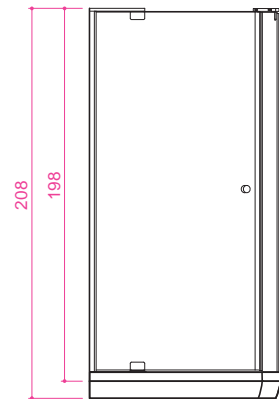
SHOWER CORNER

Dimensions:

99 x 89 x 198 cm (low base)

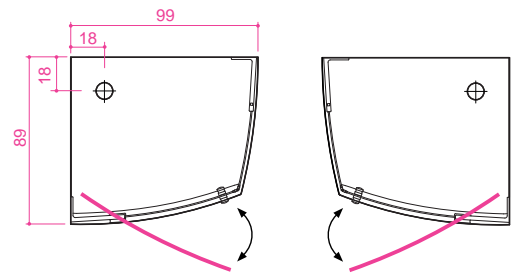
99 x 89 x 208 cm (high base)

Vibe shower cabin is an elegant combination of soft curving shower walls and a complementing shower tray with options of low (mountable into the floor) and higher version. Shower walls are made of transparent (T1) or toned (T2) safety glass (6 mm) – shower door is turning on the hinges. Shower tray is made of very strong and durable Xonyx™ massive stone.



Left

Right



VISIO

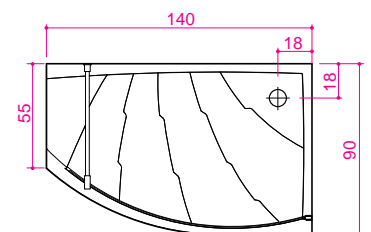
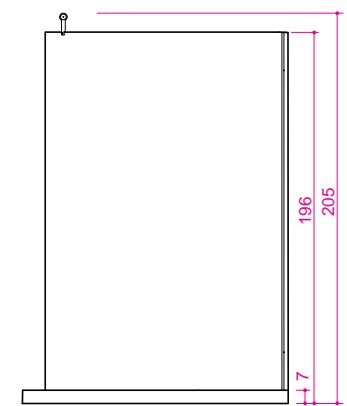
SHOWER CORNER

Dimensions:

140 x 90 x 205 cm (low base)

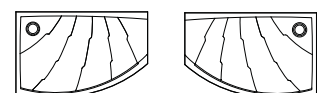
140 x 90 x 212 cm (high base)

Visio shower tray is made of remarkably strong and durable Solid Surface material Xonyx™. The corner consists of: a shower tray (white), front wall of 6 mm transparent (T1) or toned (T2) safety glass, metallic aluminium profiles for wall connection and a chromed brass connection support arm.



Left

Right



DETAILS



Clear FT1



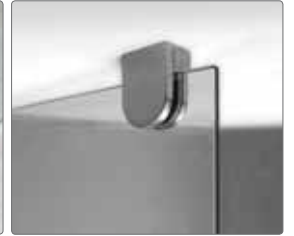
Anodized PrA



Folded hinge



Floor U-profile



Ceiling clamp connection



Toned FT2



Glanz PrG



Handle



Supporting bar KT (diagonal)

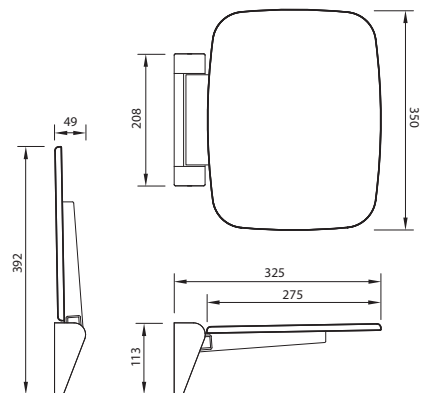


Supporting bar RT (90 degree)



FOLDING SHOWER SEAT

Type: wall mounted
 Seat color: white
 Seat material: urea
 Max loading weight: 130 kg





MIO

SHOWER PANEL

• Dimensions: 24 x 149 x 33 cm

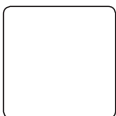
Mio is a novel form with beautiful flowing lines expressing refined grace. Mio shower panel is casted from Xonyx™ massive stone mixture, a material that is very hard and durable, yet the satin surface finishing provides for softness and warmth when touching.

Shower panel includes:

- Quality thermostat shower mixer N2 (optional regular mixer N1)
- Rain shower
- Minimalistic hand shower
- Hydromassage jets (3) with three spray options
- Concealed shelves

XONYX™

Colour options:



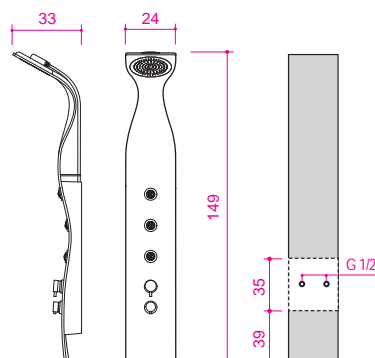
White
(by default)



Black
RAL 9011



RAL
(special color)





FURNITURE



INTEGRA



Integra 100 and vertical cupboard (KIEL, NSS, C75); mirror LY100



Space organiser (bright)



Integra 80 (painted black, NSS); mirror AQ60

INTEGRA serie



Modern bathroom furniture serie from Solid Surface massive stone material Xonyx, available in 3 sizes - 80, 100 or 120 cm

- Pre-assembled cabinet from 16 mm MDF
- Drawer box facade and sides are PCV foiled or lacquered painted (different finishings, page 68)
- Two wide drawers with quality BLUM sliding system. Two alternative opening systems - *push-to-open* (PTO, open/close by pushing) or *normal silent slider* (NSS, open by pulling/smooth closing)
- Integrated counter washbasin from solid surface massive stone material Xonyx (satin finishing). Drain cap has matching white finishing (Xonyx-coated), type - freeflow, no closable.
- *Norm silent slider* cabinets and side cabinets with PVC finishing include handles (option: brushed metallic or black matt finish)
- Mirror (anti-steam) or mixer are not included in the set. See mirrors: page 69

Code*	Description
INT8/PVCxxx/PTO	INTEGRA 80 cm PVC finishing, <i>push-to-open</i> , integrated basin
INT8/PVCxxx/NSS	INTEGRA 80 cm PVC finishing, <i>normal silent slider</i> opening, integrated basin**
INT8/xxx/PTO	INTEGRA 80 cm painted finishing, <i>push-to-open</i> , integrated basin
INT8/xxx/NSS	INTEGRA 80 cm painted finishing, <i>normal silent slider</i> opening, integrated basin
INT10/PVCxxx/PTO	INTEGRA 100 cm PVC finishing, <i>push-to-open</i> , integrated basin
INT10/PVCxxx/NSS	INTEGRA 100 cm PVC finishing, <i>normal silent slider</i> opening, integrated basin**
INT10/xxx/PTO	INTEGRA 100 cm painted finishing, <i>push-to-open</i> , integrated basin
INT10/xxx/NSS	INTEGRA 100 cm painted finishing, <i>normal silent slider</i> opening, integrated basin
INT12/PVCxxx/PTO	INTEGRA 120 cm PVC finishing, <i>push-to-open</i> , integrated basin
INT12/PVCxxx/NSS	INTEGRA 120 cm PVC finishing, <i>normal silent slider</i> opening, integrated basin**
INT12/xxx/PTO	INTEGRA 120 cm painted finishing, <i>push-to-open</i> , integrated basin
INT12/xxx/NSS	INTEGRA 120 cm painted finishing, <i>normal silent slider</i> opening, integrated basin
INT4/PVCxxx/PTO	INTEGRA vertical cupboard, PVC finishing, <i>push-to-open</i>
INT4/PVCxxx/NSS	INTEGRA vertical cupboard, PVC finishing, <i>normal silent slider</i> opening**
INT4/xxx/PTO	INTEGRA vertical cupboard, painted finishing, <i>push-to-open</i>
INT4/xxx/NSS	INTEGRA vertical cupboard, painted finishing, <i>normal silent slider</i> opening

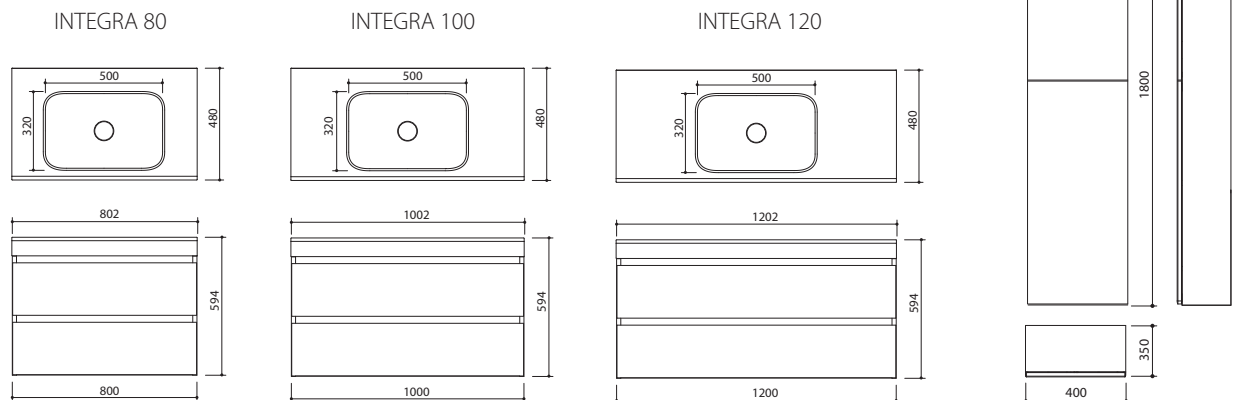
* Variable parameter in the code: xxx - facade and side finish

** PVC/NSS finish includes handles (option: C10 - brushed steel; C75 - painted black)

ACCESSORIES:

Code*	Description
SRH/INTx	Wooden space organiser (80, 100, 120 cm), bright
SRT/INTx	Wooden space organiser (80, 100, 120 cm), dark
LED	Cabinet interior lighting unit (for one drawer, USB rechargeable)

* Variable parameter in the code: x - width of drawer box



PIANO



Piano 120 Solid Surface (PORT); basin Deco; mirror LY60



Piano integrated counter with basin (gel-coat)



Basin Milo (solid surface)

PIANO serie

XONYX™



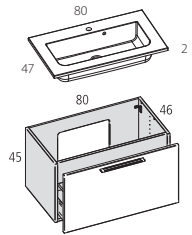
Bathroom furniture in wide range of sizes - dual-basin set up to 160 cm.

- Pre-assembled cabinet from 16 mm MDF
- Drawer box facade is PCV foiled (different finishings, page 68), sides in painted grey.
- Drawers with quality *normal silent slider* system (NSS, open by pulling/smooth closing)
- Solid surface version has counter and counter-top basin from solid surface massive stone material Xonyx (satin finishing). Drain cap has matching white finishing (Xonyx-coated), type - freeflow, no closable.
- Gel-coated version has integrated counter washbasin with overflow. Chromed drain cap.
- Mirror (anti-steam) or mixer are not included in the set. See mirrors: page 69

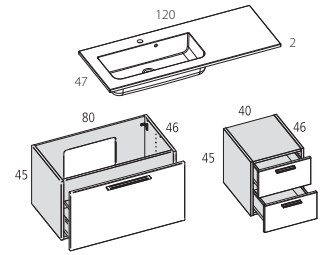
Code*	Description
MILO	Basin MILO (58x40x15 cm), countertop, XONYX
DECO	Basin DECO (55x40x15 cm), countertop, XONYX
CUDO	Basin CUDO (64x40x18 cm), countertop, XONYX
PIA12/xxx/SS-1220	PIANO furniture 120 cm, high drawer, counter (drain hole on the left), XONYX
PIA12/xxx/SS-1230	PIANO furniture 120 cm, high drawer, counter (drain hole on the right), XONYX
PIA16/xxx/SS-1620	PIANO furniture 160 cm, high drawer, counter (drain hole on the left), XONYX
PIA16/xxx/SS-1630	PIANO furniture 160 cm, high drawer, counter (drain hole on the right), XONYX
PIA16/xxx/SS-1623	PIANO furniture 160 cm, high drawer, counter (two drain holes), XONYX
PIA8/xxx/126-0810	PIANO furniture 80 cm, high drawer, integrated basin, GELCOAT
PIA12/xxx/126-1220	PIANO furniture 120 cm, high drawer, integrated basin (on the left), GELCOAT
PIA12/xxx/126-1230	PIANO furniture 120 cm, high drawer, integrated basin (on the right), GELCOAT
PIA16/xxx/126-1620	PIANO furniture 160 cm, high drawer, integrated basin (on the left), GELCOAT
PIA16/xxx/126-1630	PIANO furniture 160 cm, high drawer, integrated basin (on the right), GELCOAT
PIA16/xxx/126-1623	PIANO furniture 160 cm, high drawer, integrated dual-basin, GELCOAT
PIA4/xxx/2842	PIANO vertical cupboard, 40x18x180 cm, two doors
PIA4/xxx/2843	PIANO vertical cupboard, 40x35x180 cm, two doors
PIA4/xxx/2442	PIANO small cupboard 40x18x67 cm

* Variable parameter in the code: xxx- facade finish

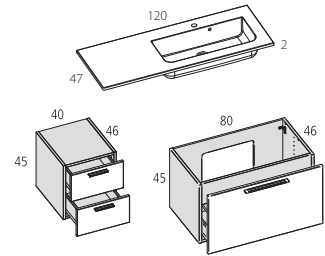
PIA8/xxx/126-0810



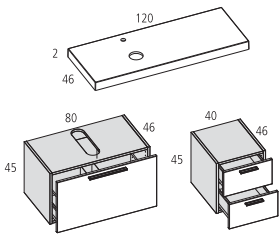
PIA12/xxx/126-1220



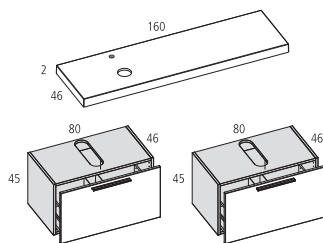
PIA12/xxx/126-1230



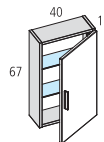
PIA12/xxx/SS-1220



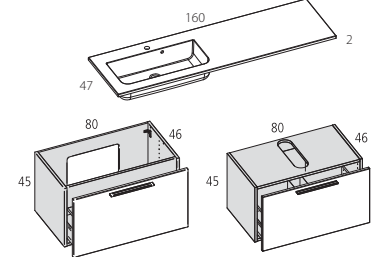
PIA16/xxx/SS-1620



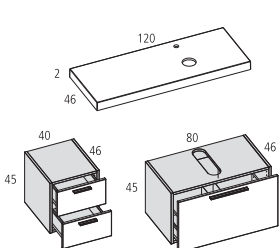
PIA4/xxx/2442



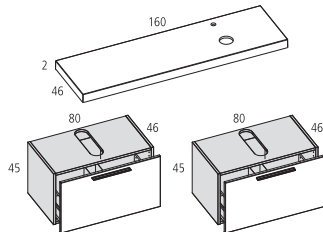
PIA16/xxx/126-1620



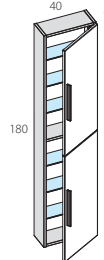
PIA12/xxx/SS-1230



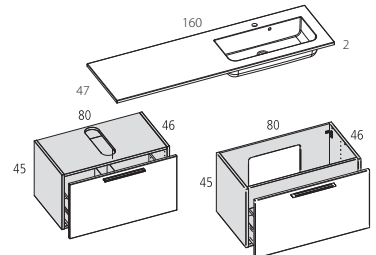
PIA16/xxx/SS-1630



PIA4/xxx/2842



PIA16/xxx/126-1630



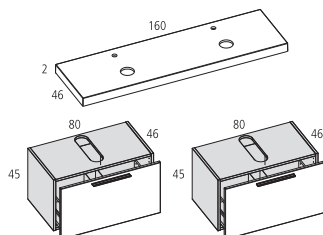
MILO



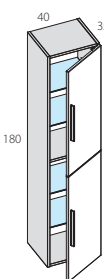
DECO



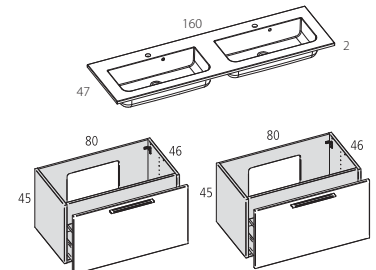
PIA16/xxx/SS-1623



PIA4/xxx/2843



PIA16/xxx/126-1623



CUDO



WILLINGEN



Willingen 80 (Wenge), vertical cupboard



Willingen 60 (Wenge), 2x vertical cupboard



Willingen 120 (white high gloss)

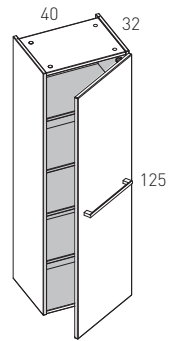
WILLINGEN serie



Complete bathroom furniture set in four sizes - 60, 80, 100 or 120 cm

- Pre-assembled cabinet from 16 mm MDF
- Drawer box facade PVC foiled (different finishings, page 68), sides in painted white.
- Drawers with quality *normal silent slider* system (NSS, open by pulling/smooth closing)
- Integrated counter washbasin from gel-coat with overflow. Chromed drain cap.
- Mixer is not included in the set.

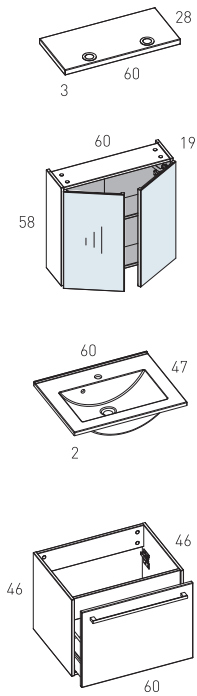
VERTICAL CUPBOARD WIL4/xxx



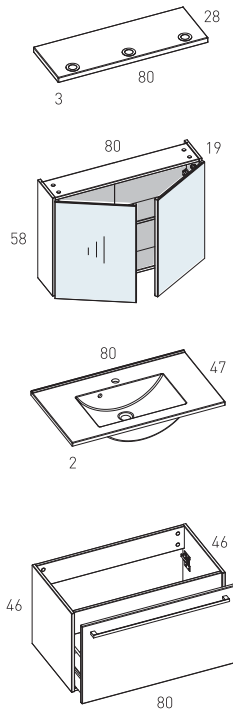
Code*	Description
WIL6/xxx	WILLINGEN 60 complete furniture set
WIL8/xxx	WILLINGEN 80 complete furniture set
WIL10/xxx	WILLINGEN 100 complete furniture set
WIL12/xxx	WILLINGEN 120 complete furniture set, dual-basin
WIL4/xxx	WILLINGEN vertical cupboard 40x32x125 cm, one door

* Variable parameter in the code: xxx- facade finish

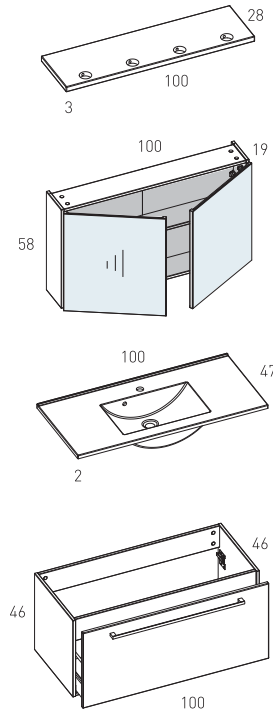
WILLINGEN 60 WIL6/xxx



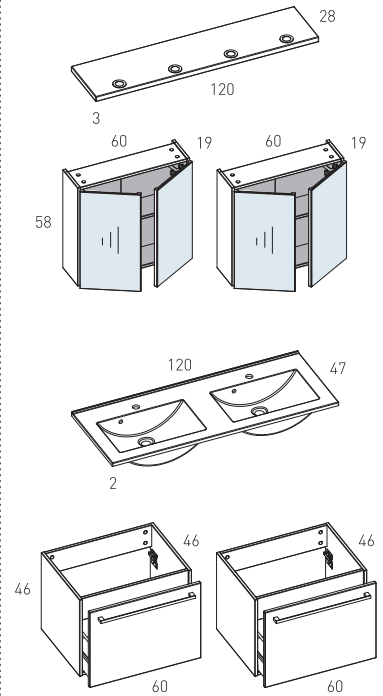
WILLINGEN 80 WIL8/xxx



WILLINGEN 100 WIL10/xxx

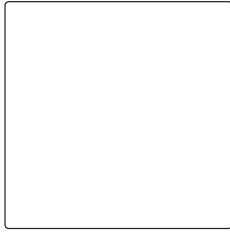


WILLINGEN 120 WIL12/xxx



COLOR OPTIONS FOR FURNITURE

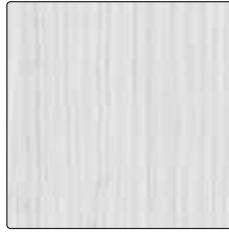
PVC FOILED FINISHING:



WHITE
high gloss
PVC060



BLACK
high gloss
PVC062



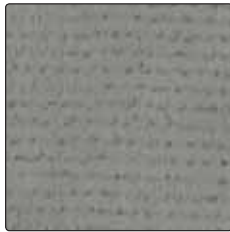
PORT WHITE
wood imitation
PVC056



KIEL
wood imitation
PVC063



JAKARTA TEAK
PVC044



MOUL
grey patches imitation
PVC064

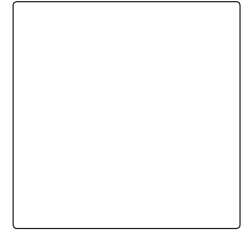


WENGE
PVC045



PORT BLACK
wood imitation
PVC057

LACQUERED PAINTED FINISHING:



WHITE
high gloss
WH



BLACK
semimatt
BL

	PVC060	PVC062	PVC056	PVC063	PVC044	PVC064	PVC045	PVC057	WH	BL
	White high gloss	Black high gloss	PORT white	KIEL	JAKARTA TEAK	MOUL	WENGE	PORT black	White high gloss	Black semimatt
INTEGRA	○	–	–	○	–	○	–	○	○	○
PIANO solid surface	○	○	○	–	○	–	○	○	–	–
PIANO gelcoat	○	○	○	–	○	–	○	○	–	–
WILLINGEN	○	○	○	–	○	–	○	–	–	–



MIRRORS



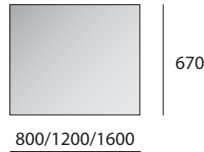
BM 80



VE 120

BM-SERIE

- Mirror thickness of 4 mm



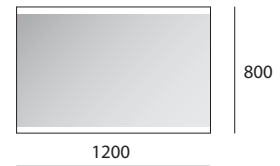
BM 80

BM 120

BM 160

VE-SERIE

- Backlit LED lighting
- Infrared sensor with dimmer option
- Mirror thickness of 5 mm
- Safety PVC film backing
- Defogger function with red light on/off switch 220V (IP44)



VE 120



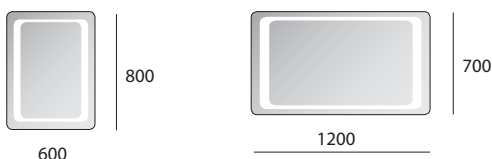
AQ 120



LY 60

AQ-SERIE

- Backlit LED lighting
- Infrared sensor with dimmer option (not available on AQ120)
- Digital clock with white numbers (only for AQ60)
- Mirror thickness of 5 mm
- Safety PVC film backing
- Defogger function with red light on/off switch 220V (IP44)
- Rounded corners

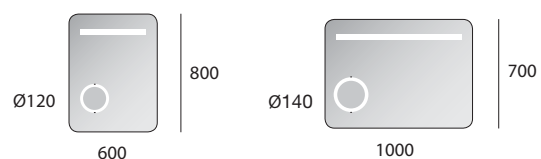


AQ 60

AQ 120

LY-SERIE

- Backlit LED lighting
- Infrared sensor with dimmer option
- Mirror thickness of 5 mm
- Backlit 3x magnifying backlit mirror
- Safety PVC film backing
- Defogger function with red light on/off switch 220V (IP44)
- Rounded Corners



LY 60

LY 100

WASHBASINS

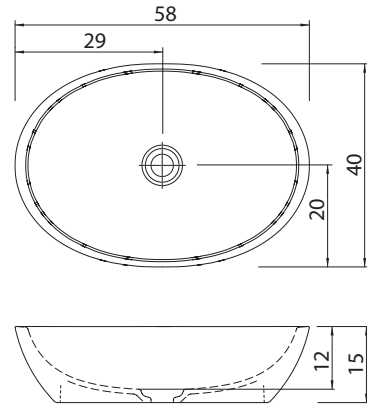
XONYX™

The wash basin is made from Xonyx™ massive stone. Drain plug is covered with the same Xonyx™ finishing as the basin itself. Drain type: freeflow, no closable. As standard, Xonyx basins are offered in white finish. On request, outer surface can be painted and matt laquered into any color according to RAL color system.



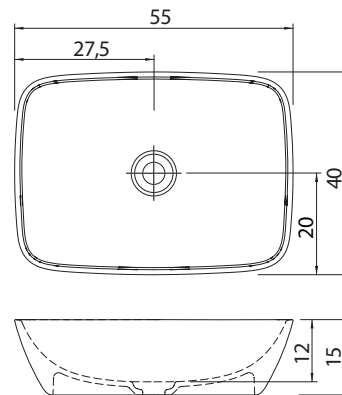
MILO

Dimensions: 58 x 40 x 15 cm



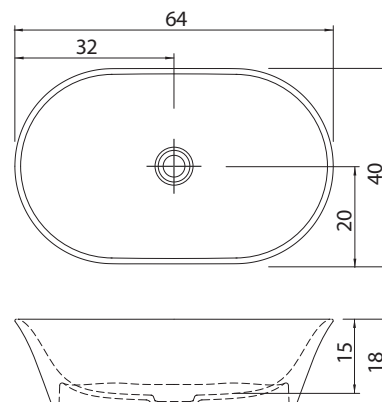
DECO

Dimensions: 55 x 40 x 15 cm



CUDO

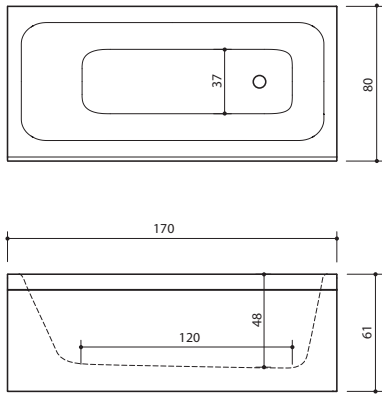
Dimensions: 64 x 40 x 18 cm



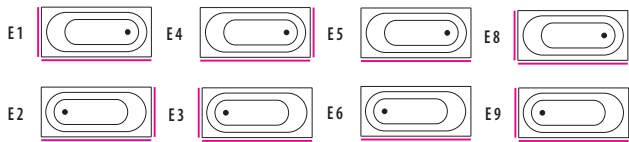


FLO bath
MILO washbasin

INTEGRA 170 XONYX™

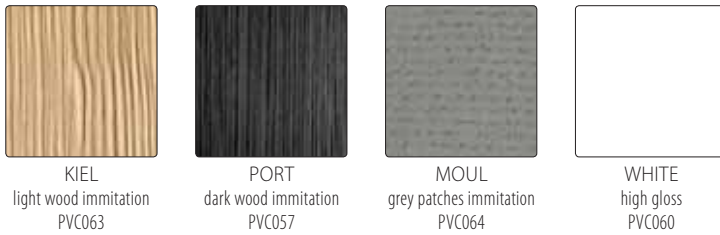


Panel placement options (Integra 170):

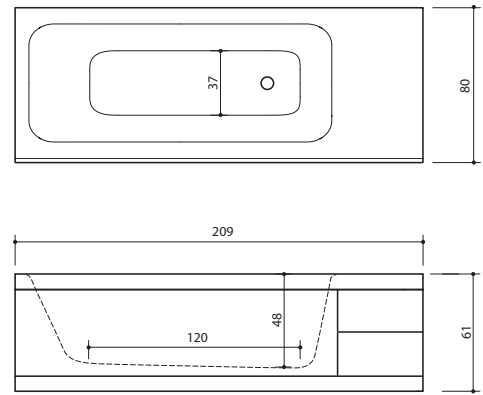


E12 **Paneelideta**

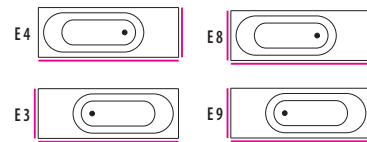
PVC foiled MDF front- and end panel finishing options:



INTEGRA 210 XONYX™

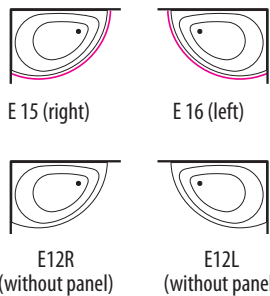


Panel placement options (Integra 210):



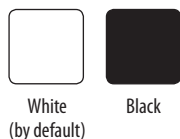
PIANO; PIANO HYDRO XONYX™

Panel options:



Piano is also available as hydromassage bath. System SlimLine Hydro (S11) - a superior massage bath with powerful and fully electronic hydromassage system, electronic control of massage areas, 6 side jets, 2 foot jets, 6 back jets, adjustment of massage intensity, pre-programmed function Therapy and an exclusive EasyTouch electronic control panel. Rated power/ current: 1510W / 6,6A.

Front panel colour options:

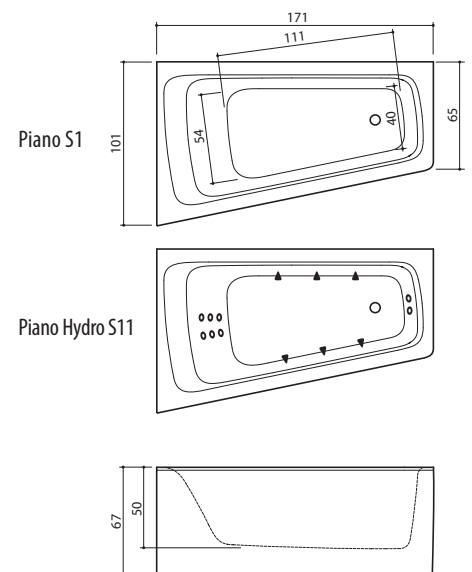


Accessories:
(page: 45)

AL

Bath mixer:
(page: 46)

A3



VARIO

Equipment levels:

- System S0 - Bathtub with front panel and shower cabin with roof and mixer.
- System S1 - System S0 plus steam cabin, stereo radio and roof lighting.
- System S4 - System S1 plus water massage and underwater AmbiLight lighting system.

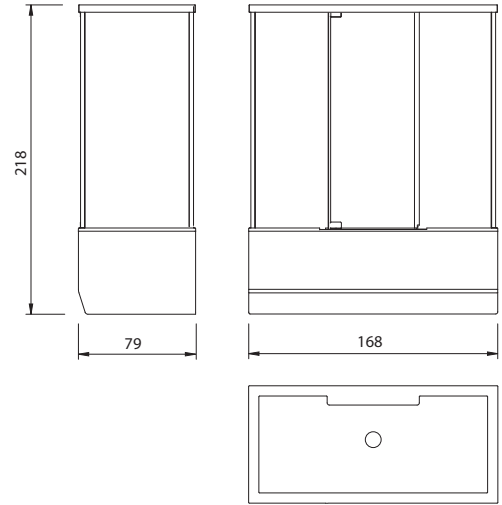
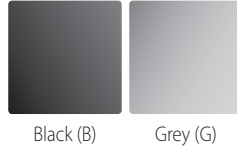
System S4 functions:

- Quality regular shower mixer N1 (optional: N2 - thermostatic mixer)
- Luxurious rain shower (d=30 cm)
- Hand shower with height-adjustable sliding rail
- Waterproof mirror
- Cascade bath fill
- Programmable steam sauna
- Multifunctional RGB LED strip cabin lighting
- Hydromassage bath with back- and footmassage
- Underwater moodlighting AmbiLight
- Bluetooth compatibility

Glass options:

- T1 - Transparent safety glass, 6 mm
- T2 - Toned grey safety glass, 6 mm

Masking options:



Placement options:

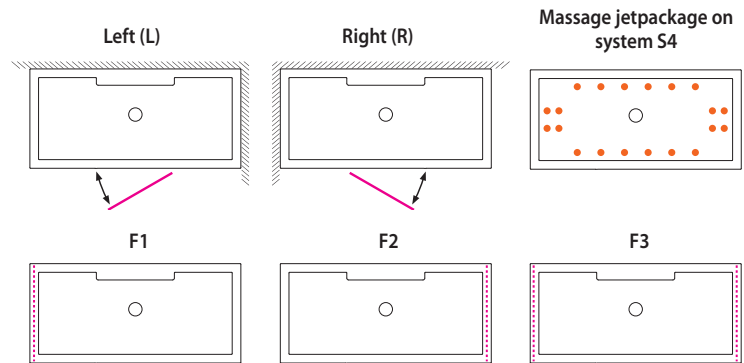
Vario may be ordered with left- or right-hand placement, determining the placement for panels (front and side) and door opening.

Glass masking options (F1, F2, F3):

Upon corner installation Vario may be ordered with additional side wall glasses being non-transparent (patterned marking on the drawing).

Cabin back wall glasses are masked with black film. Optional to change into grey film.

Minimum installation height: 227 cm
Required minimum clearance from side panel: 40 cm



TETRIS

Steam shower main functional features:

- Quality thermostat shower mixer N2 (optional regular mixer N1)
- Luxurious rain shower
- Handshower
- Pre-programmed vertical hydromassage system
- Steam sauna with temperature pre-setting and timer
- Chromotherapy roof lighting system (RGB LED-s)
- Quality stereo-radio
- Bluetooth compatibility

Placement options:

Cabin may be ordered with or without decorative frontwall and left- or right-hand door placement.

Glass masking options (M1-M5):

Upon corner installation Tetris may be ordered with either side wall glasses being nontransparent.

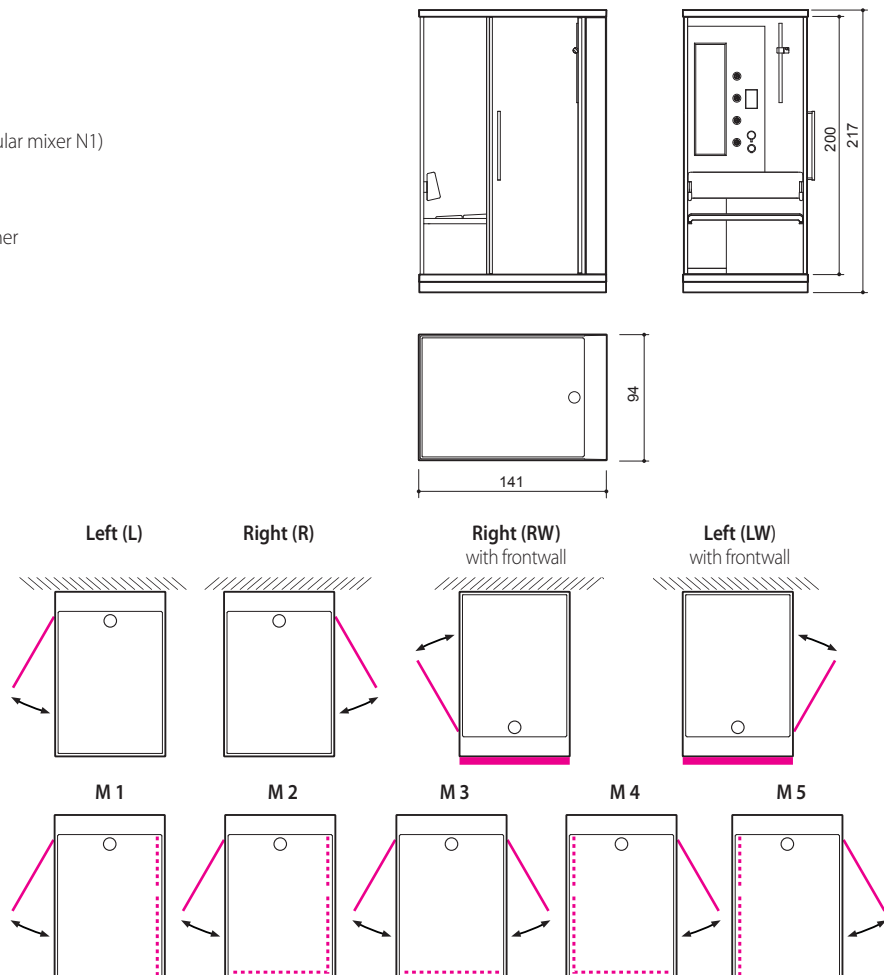
Minimum installation height: 227 cm

Glass options:

- T1 - Transparent safety glass, 6 mm
- T2 - Toned grey safety glass, 6 mm

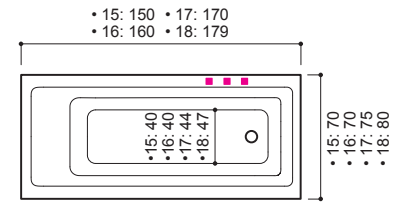
Frontwall:

Masking:

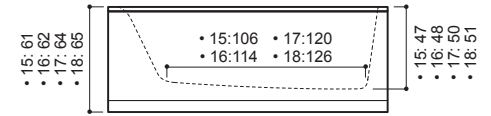
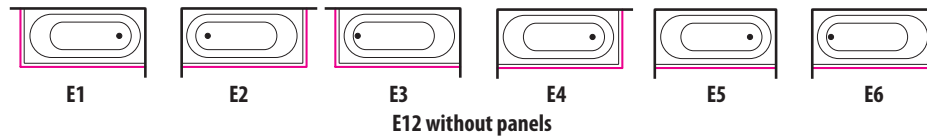


- Forma 150 (code: FO5)
- Forma 160 (code: FO6)
- Forma 170 (code: FO7)
- Forma 180 (code: FO8)

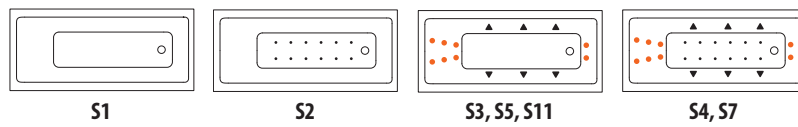
SYSTEM	S1	S2	S3	S4	S5	S6	S7	S8	S9	S10	S11
Hydromassage jets	-	-	6+8	6+8	6+8	-	6+8	-	-	-	6+8
Airmassage jets	-	12	-	12	-	-	12	-	-	-	-
Pumps	-	-	1	1	1	-	1	-	-	-	1
Blower	-	1	-	1	-	-	1	-	-	-	-



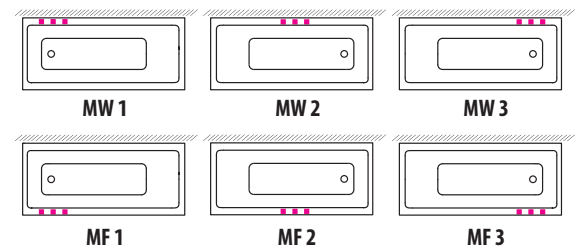
PANELS:



MASSAGE SYSTEMS:



MIXER POSITION:



BATH MIXER:
(page: 46)

- C1
- C2
- C1Z1
- C2Z1
- A3
- DC
- DJ1

ACCESSORIES:
(page: 45)

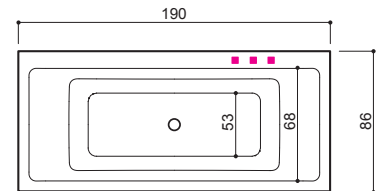
- AL
- KLA*4
- LA
- AF
- OS
- MSV
- H1,5
- H3
- W

SHOWER WALLS:
(page: 44)

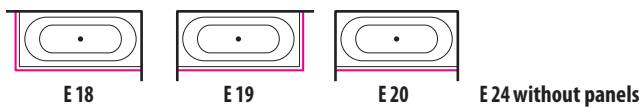
- VS1/T1
 - VS1/T2
 - VES/T1*
 - VES/T2*
- *- only for Forma 170

Forma 190 (code: FO9)

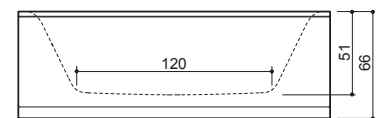
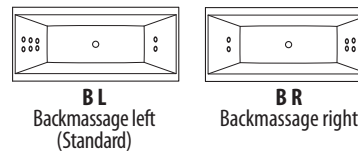
SYSTEM	S1	S2	S3	S4	S5	S6	S7	S8	S9	S10	S11
Hydromassage jets	-	-	8+8	8+8	8+8	8+12	8+8	8+12	8+8	8+12	8+8
Airmassage jets	-	12	-	12	-	-	12	12	12	12	-
Pumps	-	-	1	1	1	2	1	2	1	2	1
Blower	-	1	-	1	-	-	1	1	2	2	-



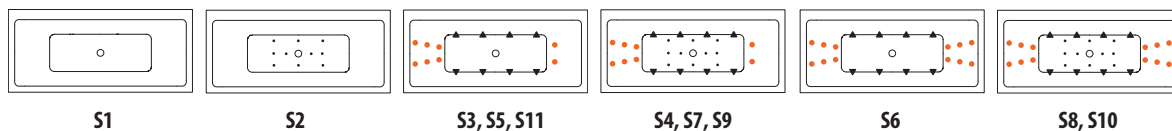
PANELS:



**ONE PUMP SYSTEMS
BACKMASSAGE POSITIONING:**



MASSAGE SYSTEMS:



BATH MIXER:
(page: 46)

- C1
- C2
- C1Z1
- C2Z1
- A3
- DC
- DJ1

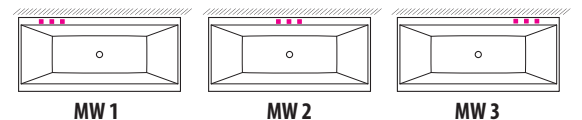
ACCESSORIES:
(page: 45)

- AL
- KLA*4
- LA
- AF
- OS
- MSV
- H1,5
- H3

SHOWER WALLS:
(page: 44)

- VS1/T1
- VS1/T2

MIXER POSITION:



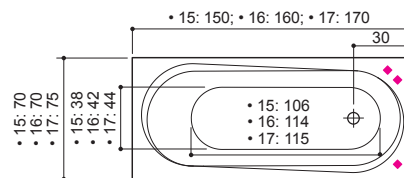
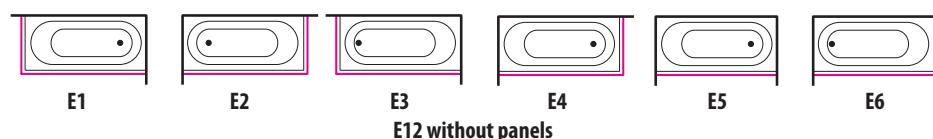
Modul 150 (code: MO5)

Modul 160 (code: MO6)

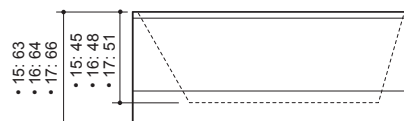
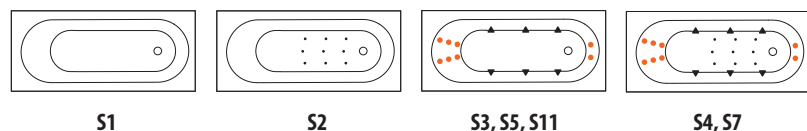
Modul 170 (code: MO7)

SYSTEM	S1	S2	S3	S4	S5	S6	S7	S8	S9	S10	S11
Hydromassage jets	-	-	6+8	6+8	6+8	-	6+8	-	-	-	6+8
Airmassage jets	-	9	-	9	-	-	9	-	-	-	-
Pumps	-	-	1	1	1	-	1	-	-	-	1
Blower	-	1	-	1	-	-	1	-	-	-	-

PANELS:



MASSAGE SYSTEMS:

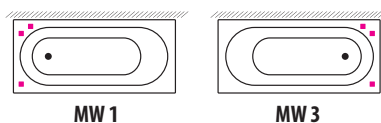


BATH MIXER:

(page: 46)



MIXER POSITION:



ACCESSORIES:

(page: 45)



SHOWER WALLS:

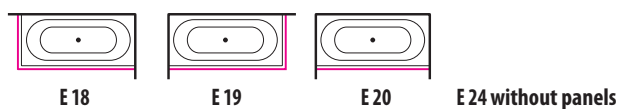
(page: 44)



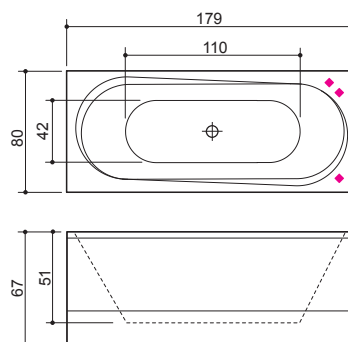
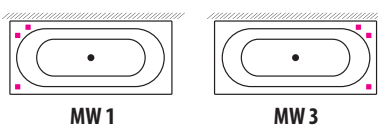
Modul 180 (code: MO8)

SYSTEM	S1	S2	S3	S4	S5	S6	S7	S8	S9	S10	S11
Hydromassage jets	-	-	8+8	8+8	8+8	8+12	8+8	8+12	-	-	8+8
Airmassage jets	-	10	-	10	-	-	10	10	-	-	-
Pumps	-	-	1	1	1	2	1	2	-	-	1
Blower	-	1	-	1	-	-	1	1	-	-	-

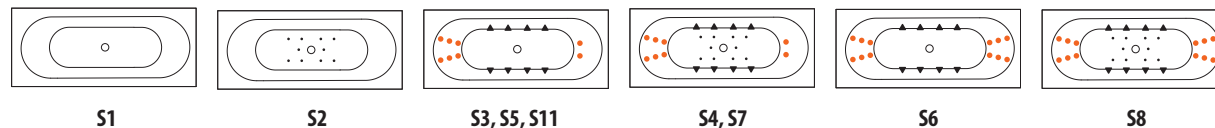
PANELS:



MIXER POSITION:



MASSAGE SYSTEMS:



BATH MIXER:

(page: 46)

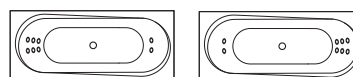


ONE PUMP SYSTEMS

BACKMASSAGE POSITIONING:

ACCESSORIES:

(page: 45)



BL
Backmassage left
(Standard)

BR
Backmassage right

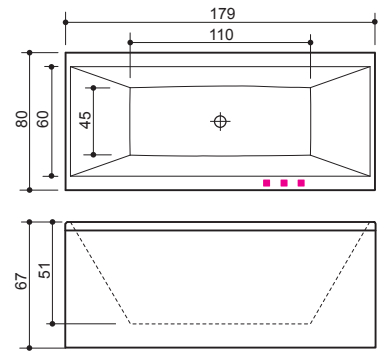
SHOWER WALLS:

(page: 44)

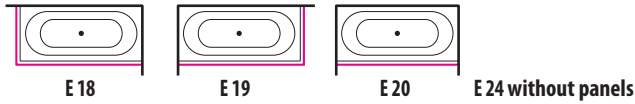


Roma (code: ROM)

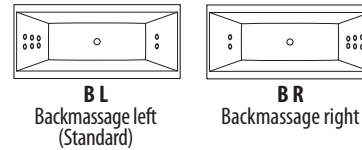
SYSTEM	S1	S2	S3	S4	S5	S6	S7	S8	S9	S10	S11
Hydromassage jets	-	-	8+8	8+8	8+8	8+12	8+8	8+12	-	-	8+8
Airmassage jets	-	10	-	10	-	-	10	10	-	-	-
Pumps	-	-	1	1	1	2	1	2	-	-	1
Blower	-	1	-	1	-	-	1	1	-	-	-



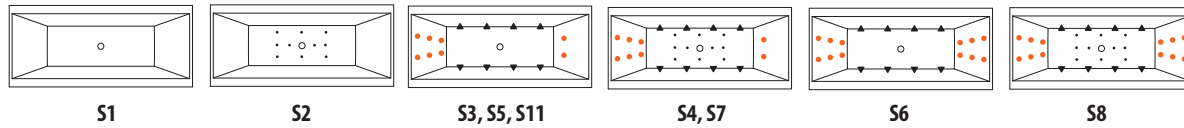
PANELS:



ONE PUMP SYSTEMS BACKMASSAGE POSITIONING:



MESSAGE SYSTEMS:



BATH MIXER: (page: 46)



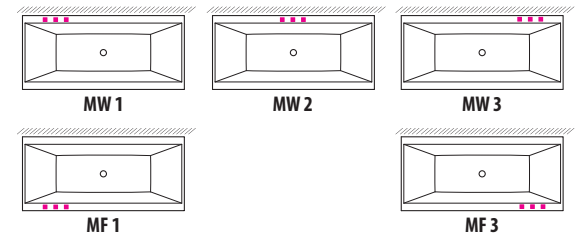
ACCESSORIES: (page: 45)



SHOWER WALLS: (page: 44)

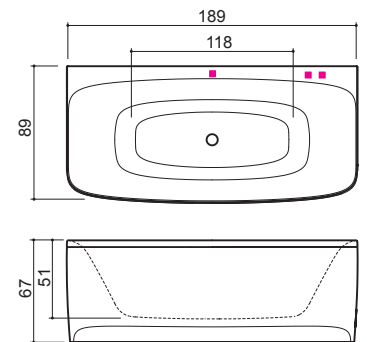


MIXER POSITION:

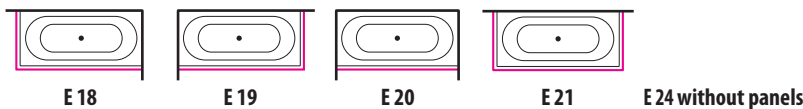


Loop (code: LOO)

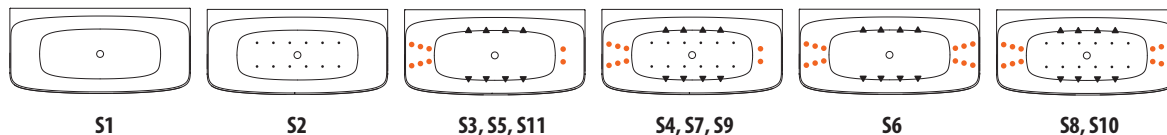
SYSTEM	S1	S2	S3	S4	S5	S6	S7	S8	S9	S10	S11
Hydromassage jets	-	-	8+8	8+8	8+8	8+12	8+8	8+12	8+8	8+12	8+8
Airmassage jets	-	12	-	12	-	-	12	12	12	12	-
Pumps	-	-	1	1	1	2	1	2	1	2	1
Blower	-	1	-	1	-	-	1	1	2	2	-



PANELS:



MESSAGE SYSTEMS:



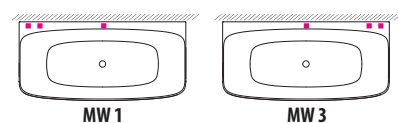
BATH MIXER: (page: 46)



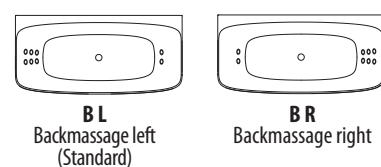
ACCESSORIES: (page: 45)



MIXER POSITION:



ONE PUMP SYSTEMS BACKMASSAGE POSITIONING:



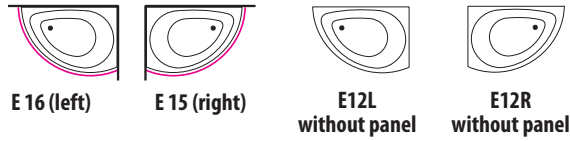
Eclipse 150 (code: E51 left / E52 right)

Eclipse 160 (code: E61 left / E62 right)

Eclipse 170 (code: E71 left / E72 right)

SYSTEM	S1	S2	S3	S4	S5	S6	S7	S8	S9	S10	S11
Hydromassage jets	-	-	6+8	6+8	6+8	-	6+8	-	-	-	6+8
Airmassage jets	-	9	-	9	-	-	9	-	-	-	-
Pumps	-	-	1	1	1	-	1	-	-	-	1
Blower	-	1	-	1	-	-	1	-	-	-	-

PANELS:



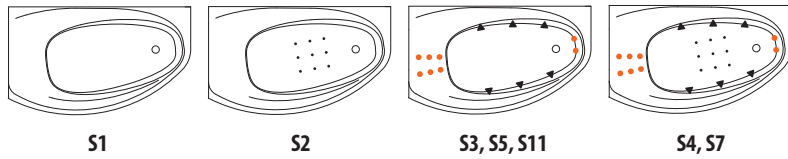
E 16 (left)

E 15 (right)

E12L
without panel

E12R
without panel

MASSAGE SYSTEMS:

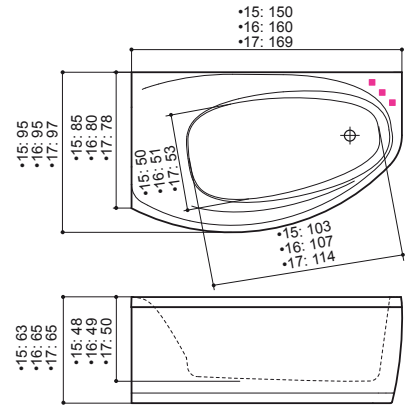


S1

S2

S3, S5, S11

S4, S7



BATH MIXER:

(page: 46)



ACCESSORIES:

(page: 45)



SHOWER WALLS:

(page: 44)



Idea 150 (code: I51 left / I52 right)

Idea 160 (code: I61 left / I62 right)

Idea 170 (code: I71 left / I72 right)

SYSTEM	S1	S2	S3	S4	S5	S6	S7	S8	S9	S10	S11
Hydromassage jets	-	-	6+6	6+6	6+6	-	6+6	-	-	-	6+6
Airmassage jets	-	9	-	9	-	-	9	-	-	-	-
Pumps	-	-	1	1	1	-	1	-	-	-	1
Blower	-	1	-	1	-	-	1	-	-	-	-

PANELS:



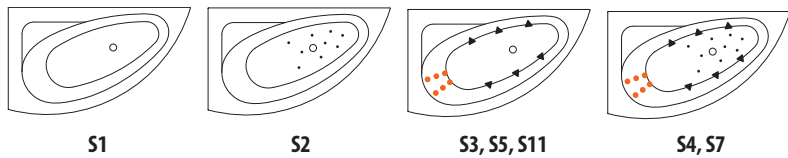
E 16 (left)

E 15 (right)

E12L
without panel

E12R
without panel

MASSAGE SYSTEMS:

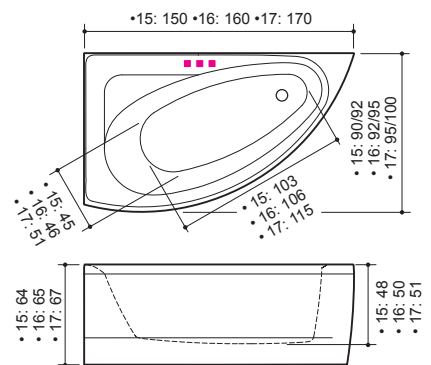


S1

S2

S3, S5, S11

S4, S7



BATH MIXER:

(page: 46)



ACCESSORIES:

(page: 45)



SHOWER WALLS:

(page: 44)

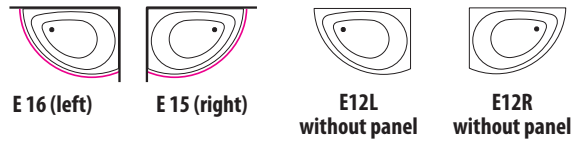


Rhea 150 (code: R51 left / R52 right)

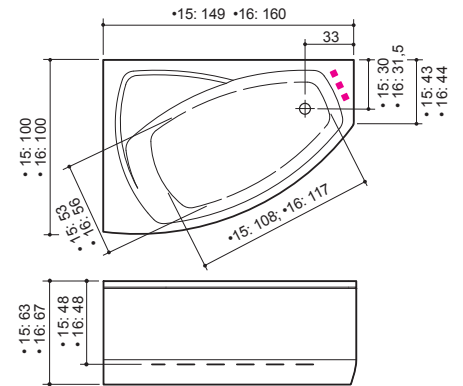
Rhea 160 (code: R61 left / R62 right)

SYSTEM	S1	S2	S3	S4	S5	S6	S7	S8	S9	S10	S11
Hydromassage jets	-	-	6+8	6+8	6+8	-	6+8	-	6+8	-	6+8
Airmassage jets	-	9	-	9	-	-	9	-	9	-	-
Pumps	-	-	1	1	1	-	1	-	1	-	1
Blower	-	1	-	1	-	-	1	-	2	-	-

PANELS:



MASSAGE SYSTEMS:



BATH MIXER:

(page: 46)



ACCESSORIES:

(page: 45)



SHOWER WALLS:

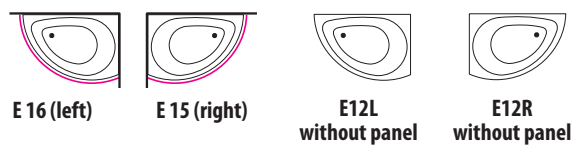
(page: 44)



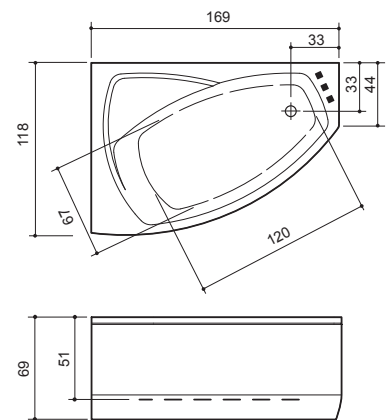
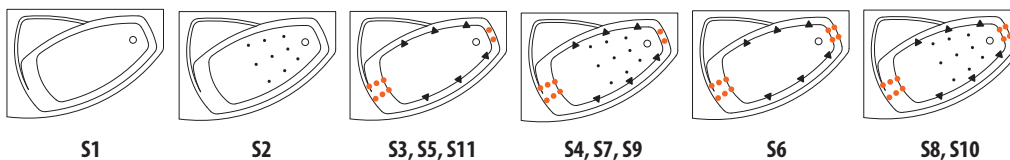
Rhea 170 (code: RHV left / RHP right)

SYSTEM	S1	S2	S3	S4	S5	S6	S7	S8	S9	S10	S11
Hydromassage jets	-	-	6+8	6+8	6+8	6+10	6+8	6+10	6+8	6+10	6+8
Airmassage jets	-	9	-	9	-	-	9	9	9	9	-
Pumps	-	-	1	1	1	2	1	2	1	2	1
Blower	-	1	-	1	-	-	1	1	2	2	-

PANELS:



MASSAGE SYSTEMS:



BATH MIXER:

(page: 46)



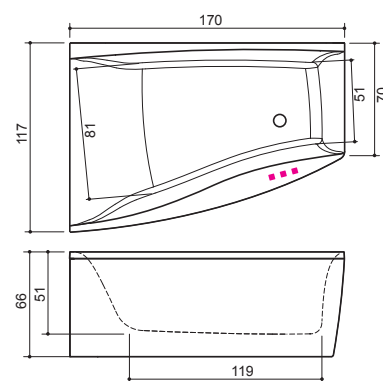
ACCESSORIES:

(page: 45)

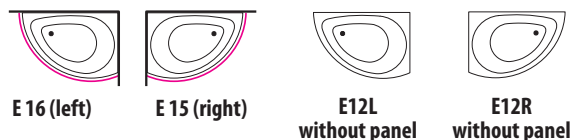


Cali (code: CLV left / CLP right)

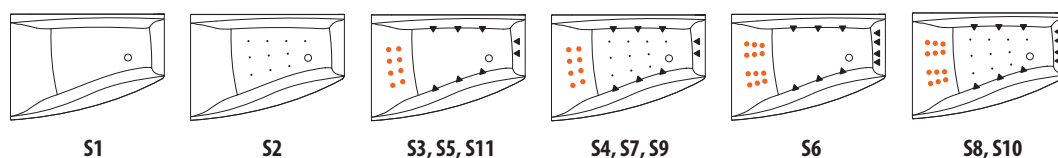
SYSTEM	S1	S2	S3	S4	S5	S6	S7	S8	S9	S10	S11
Hydromassage jets	-	-	8+8	8+8	8+8	10+12	8+8	10+12	8+8	10+12	8+8
Airmassage jets	-	10	-	10	-	-	10	10	10	10	-
Pumps	-	-	1	1	1	2	1	2	1	2	1
Blower	-	1	-	1	-	-	1	1	2	2	-



PANELS:



MASSAGE SYSTEMS:



BATH MIXER:

(page: 46)



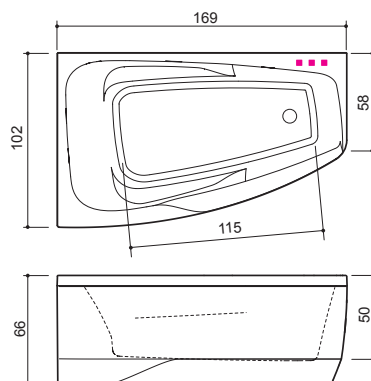
ACCESSORIES:

(page: 45)

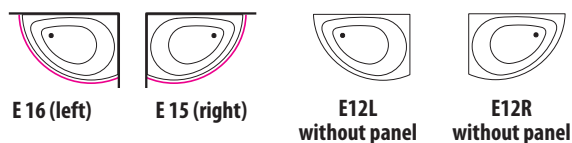


Orion (code: O71 left / O72 right)

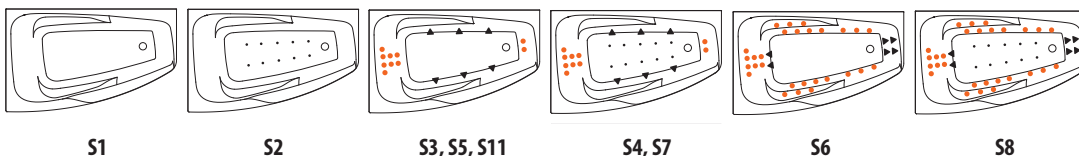
SYSTEM	S1	S2	S3	S4	S5	S6	S7	S8	S9	S10	S11
Hydromassage jets	-	-	6+10	6+10	6+10	14+20	6+10	14+20	-	-	6+10
Airmassage jets	-	10	-	10	-	-	10	10	-	-	-
Pumps	-	-	1	1	1	2	1	2	-	-	1
Blower	-	1	-	1	-	-	1	1	-	-	-



PANELS:



MASSAGE SYSTEMS:



BATH MIXER:

(page: 46)



ACCESSORIES:

(page: 45)

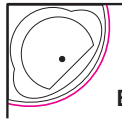


Linea 140 (code: LI4)

Linea 150 (code: LI5)

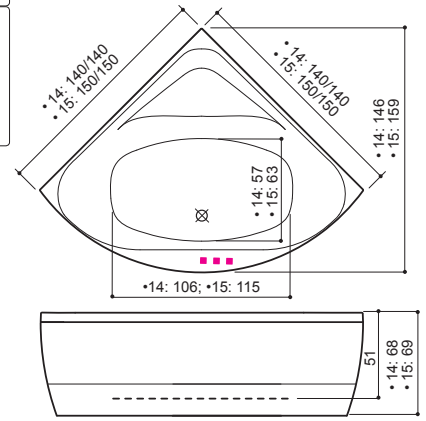
SYSTEM	S1	S2	S3	S4	S5	S6	S7	S8	S9	S10	S11
Hydromassage jets	-	-	6+8	6+8	6+8	6+12	6+8	6+12	6+8	6+12	6+8
Airmassage jets	-	10	-	10	-	-	10	10	10	10	-
Pumps	-	-	1	1	1	2	1	2	1	2	1
Blower	-	1	-	1	-	-	1	1	2	2	-

PANELS:

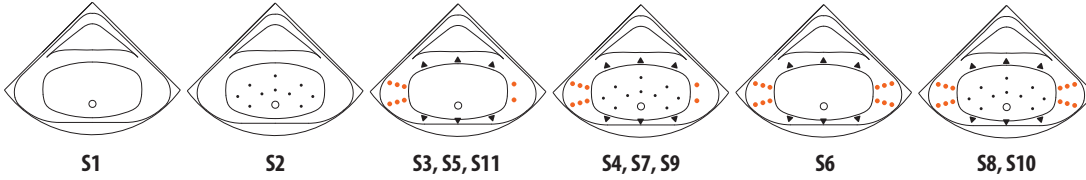


E 17

E12 without panel



MASSAGE SYSTEMS:



BATH MIXER: (page: 46)

- C1
- C2
- C1Z1
- C2Z1
- A3
- DC
- DJ1

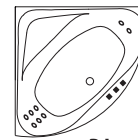
ACCESSORIES: (page: 45)

- AL
- KLA*4
- LA
- AF
- OS
- MSV
- H1,5
- H3
- W

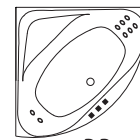
SHOWER WALLS: (page: 44)

VES

ONE PUMP SYSTEMS BACKMASSAGE POSITIONING:



B L
Backmassage left
(Standard)

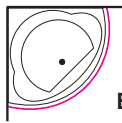


B R
Backmassage right

Metro (code: MET)

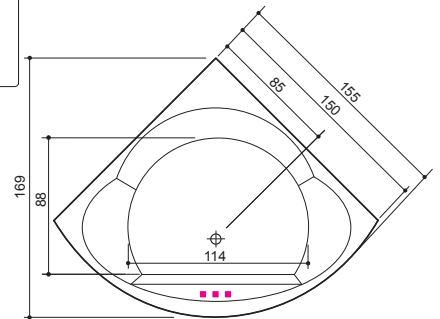
SYSTEM	S1	S2	S3	S4	S5	S6	S7	S8	S9	S10	S11
Hydromassage jets	-	-	6+5	6+5	6+5	10+10	6+5	10+10	6+5	10+10	-
Airmassage jets	-	13	-	13	-	-	13	13	13	13	-
Pumps	-	-	1	1	1	2	1	2	1	2	-
Blower	-	1	-	1	-	-	1	1	2	2	-

PANELS:

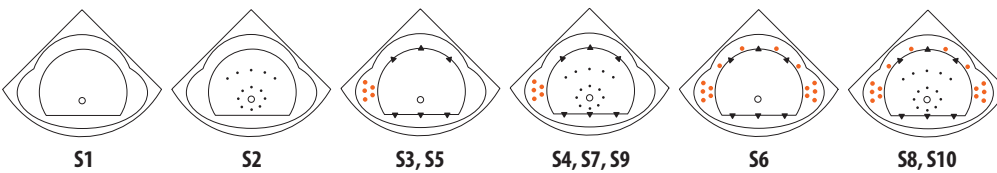


E 17

E12 without panel



MASSAGE SYSTEMS:



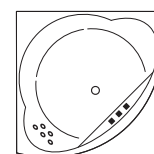
BATH MIXER: (page: 46)

- A3
- DC
- DJ1

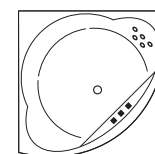
ACCESSORIES: (page: 45)

- AL
- KLA*4
- LA
- AF
- OS
- MSV
- H1,5
- H3
- W

ONE PUMP SYSTEMS BACKMASSAGE POSITIONING:



B L
Backmassage left
(Standard)

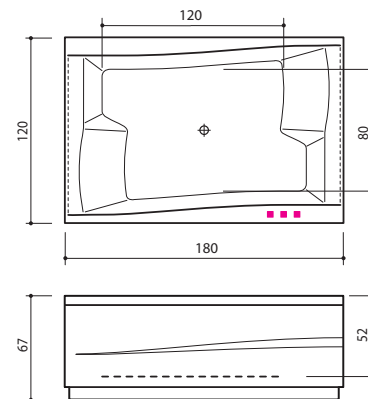
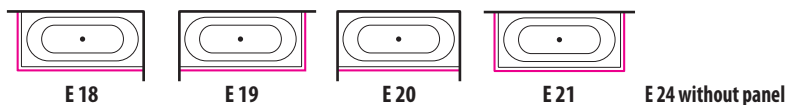


B R
Backmassage right

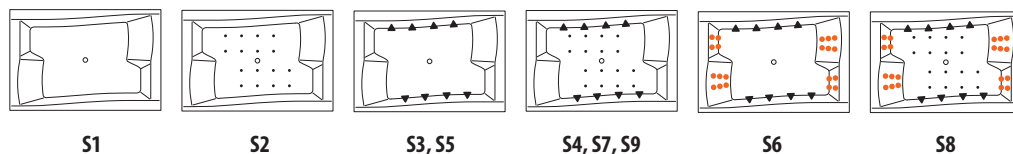
Scala (code: SCA)

SYSTEM	S1	S2	S3	S4	S5	S6	S7	S8	S9	S10	S11
Hydromassage jets	-	-	8	8	8	8+20	8	8+20	8	-	-
Airmassage jets	-	16	-	16	-	-	16	16	16	-	-
Pumps	-	-	1	1	1	2	1	2	1	-	-
Blower	-	1	-	1	-	-	1	1	2	-	-

PANELS:



MASSAGE SYSTEMS:

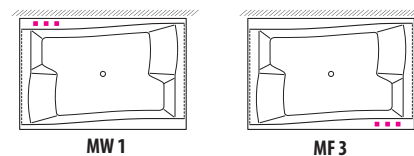


BATH MIXER:

(page: 46)



MIXER POSITIONING:



ACCESSORIES:

(page: 45)



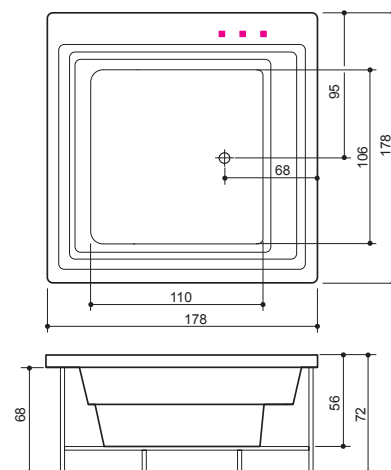
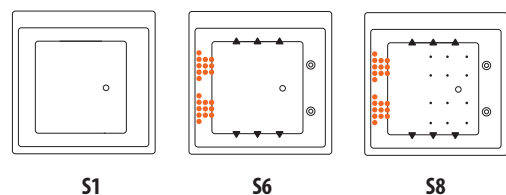
Quadrum (code: QDR)

SYSTEM	S1	S2	S3	S4	S5	S6	S7	S8	S9	S10	S11
Hydromassage jets	-	-	-	-	-	6+22+2	-	6+22+2	-	-	-
Airmassage jets	-	-	-	-	-	-	-	12	-	-	-
Pumps	-	-	-	-	-	2	-	2	-	-	-
Blower	-	-	-	-	-	-	-	1	-	-	-

PANELS:

This bath is offered without panels, only for built-in installation.

MASSAGE SYSTEMS:



BATH MIXER:

(page: 46)



ACCESSORIES:

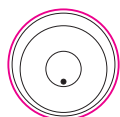
(page: 45)



Madonna XL (code: MXL)

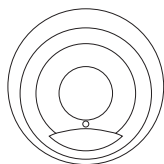
SYSTEM	S1	S2	S3	S4	S5	S6	S7	S8	S9	S10	S11
Hydromassage jets	-	-	-	-	12+12	12+12	12+12	12+12	12+12	12+12	-
Airmassage jets	-	-	-	-	-	-	12	12	12	12	-
Pumps	-	-	-	-	1	2	1	2	1	2	-
Blower	-	-	-	-	-	-	1	1	2	2	-

PANELS:

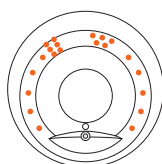


E 26 E24 without panel

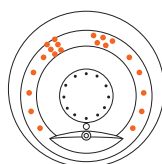
MASSAGE SYSTEMS:



S1



S5, S6



S7, S8, S9, S10

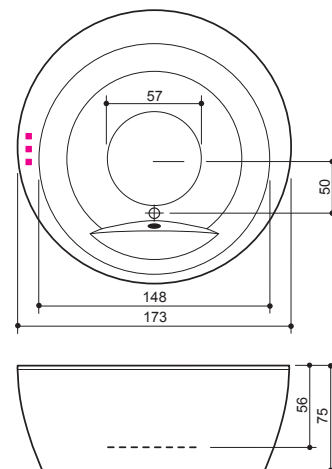
BATH MIXER:

(page: 46)



ACCESSORIES:

(page: 45)







BALTECO

AS Balteco, Jälgimäe, Harjumaa 76401, Estonia
phone: (+372) 671 8237
www.balteco.com

