

voran[®]

machinery

Packing presses 50P1 100P1 100P2



100P2
with sliding press



50P1



100P1

Juice presses in three sizes

Packing presses

The all-round machine in three sizes: the compact 50P1, the standard 100P1, and the powerful 100P2.

The voran® packing presses are also well suited for soft vegetable and fruit types when the optional fine-mesh cloths are used.

Everything you need

Convincing arguments:

- High yield with the best juice quality
- All parts coming into contact with food consist of stainless steel or wood.
- Easy operation
- The pressing cylinder installed beneath prevents any hydraulic oil from coming into contact with the juice or mash.
- Installation without foundation
- Solid construction
- Automatic overpressure valve
- A pressing level, subdivided several times by inserts, allows the juice to drain quickly. This has a high operating speed which results in lower oxidation.
- The juice yield is more than 75%—depending on fruit and condition.

Common features

Optimal pressing system for the best juice quality. The best aroma with low turbidity. Quick drainage of the juice through the pressing level, which is subdivided several times by acacia inserts.

All parts coming into contact with the juice are made from wood, stainless steel or food-safe plastic. The machine types presented differ primarily in their throughput.

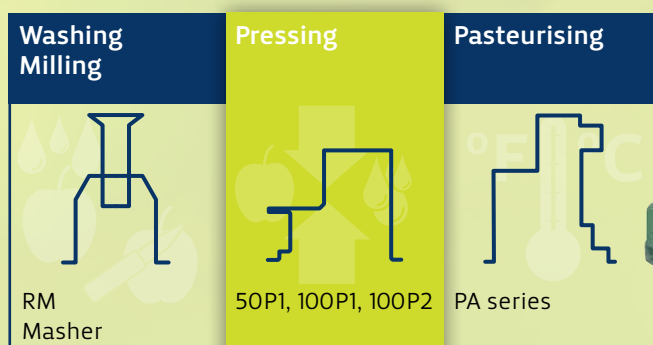
Options

- Chassis for easy manoeuvring
- Easy-to-clean stainless-steel pressing inserts
- Cheese cloths for processing berries and other soft fruits

The juice yield of the voran® packing press is more than 75% (e.g. Apples).

50P1

Even the smallest voran packing press provides full functionality and differs from its larger counterpart only in the achievable throughput.



100P1

The model 100P1 sets a standard for fruit processing. High juice yield, comfortable operation and an outstanding price/performance ratio distinguish this packing press.

Efficient drive unit with ample power reserves

Robust, torsion-resistant steel frame, powder coated

Technically sophisticated hydraulic assembly

Low-maintenance pump

Polyester pressing cloths

Pressing grates made from high-quality acacia wood

Stainless-steel packing frame



Saves space with its fold-up press rails

With its RM1,5, 2,2 and 5,5 centrifugal mills, voran® provides the optimal precursor to juice pressing.

100P2

A second press tray and the resulting double pressing throughput are the major differences as compared to the 100P1. The sliding press allows filling in parallel to the ongoing pressing process. You therefore do not lose any valuable time and at the same time, produce higher juice volumes.

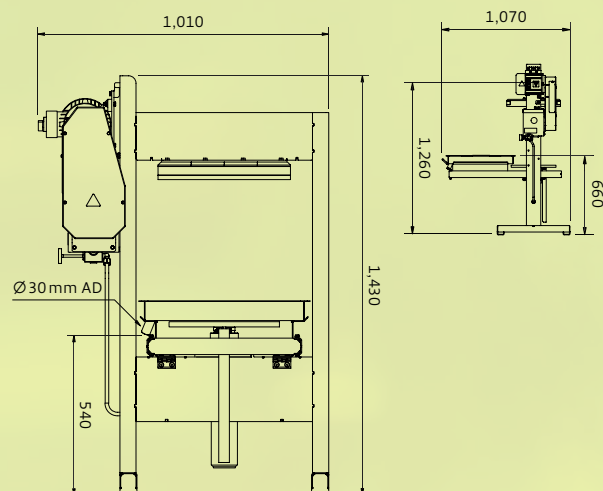
Experience meets innovation

For decades, voran[®] Holding has stood for quality, dynamics and professionalism in the food processing sector. As a financially stable mid-sized company, we currently employ around 160 workers in Pichl bei Wels—in the heart of Austria.

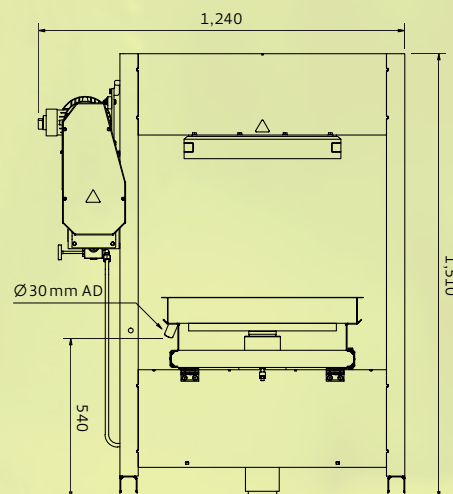


Technical data

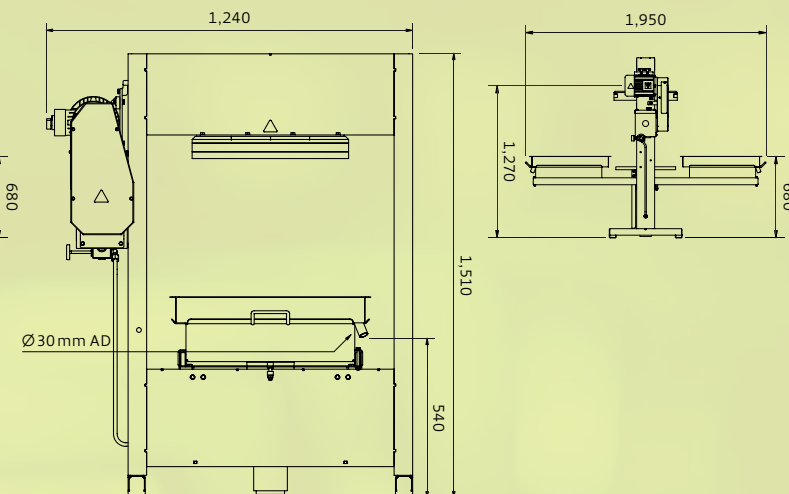
50P1



100P1



100P2



Model	50P1	100P1	100P2
Maximum hourly throughput in kg/h	150	300	600
Power consumption in kW	1.1	1.5	1.5
Presskraft in t	16	25	25
Electrical connection*	400V/50Hz (three-phase, 16A)	400V/50Hz (three-phase, 16A)	400V/50Hz (three-phase, 16A)
Plug	CEE 16 A	CEE 16 A	CEE 16 A
Length/width/height dimensions in mm	1,070/1,010/1,430	1,260/1,240/1,510	1,950/1,240/1,510
Weight in kg (dry)	approx. 180	270	300
Size of the cloths in cm	70 x 70	80 x 80	80 x 80
Number of cloths	7	9	18
Size of the acacia inserts in cm	41 x 41	50 x 50	50 x 50
Number of acacia inserts	8	10	20
Scope of supply	Pressing cloths, acacia pressing inserts, packing frames		

* Other mains voltages and designs on request

Expressly subject to technical changes and errors.

voran.at

voran business lines

- machines
- machine construction
- plant construction
- facades

How to find us



voran Maschinen GmbH
 Sales
 Linzer Strasse 30
 A 4650 Edt bei Lambach
 T +43(0)72 49 / 444-0
 F +43(0)72 49 / 444-888
 office@voran.at
 www.voran.at

Production
 Inn 7
 A 4632 Pichl bei Wels

Service hotline
 Monday - Friday, 7 a.m. - 8 p.m.
 Saturday, 7 a.m. - 6 p.m.
 T +43(0)72 49 / 444-200