



The external flush door “Aru ED Flush-2 EX” is an outward opening door with double seals. The insulated flush door pressed on a timber frame is a suitable choice for a modern building. The door is finished either by paint or covered with veneer. Different patterns and glazing openings are available according to the customer’s preference.

A veneered patterned external flush door



Single-leaf external door



An external door with glazing



An external door with an additional open able door leaf



An external door with a fixed side light

A painted external flush door



The different layers of the door leaf are pressed onto a deep-impregnated laminated timber frame that has insulation in between. The jamb is made of pine or oak.



Aru ED F-60 Flush-2 EX



ISO 9001:2008

OUTWARD OPENING EXTERNAL FLUSH DOOR (WITH DOUBLE GASKET)

Outside dimensions according to the customer's wishes

Max.dimensions **1010 x 2300 mm**

Doorleaf: thickness 60 mm

Frame: 105 x 54 mm

Threshold: 30 mm oak + aluminium slat

Hinges: 2D adjustable, security hinges

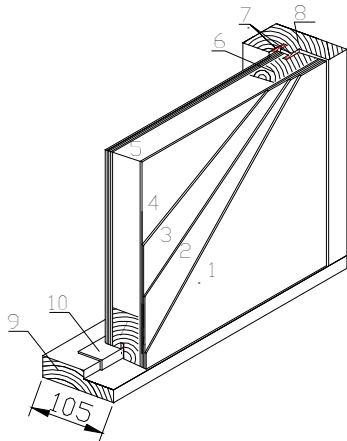
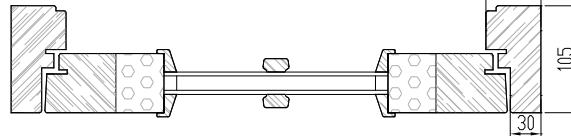
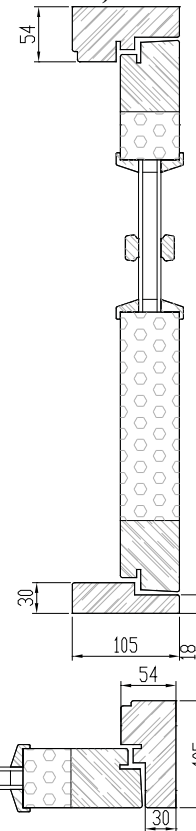
Gasket: in the frame and in the doorleaf

Doors with a glass opening have a double or triple glazing.

Finishing options:

- 1 paint according to the customer's wishes
(the shades given in RAL and NCS colour cards)
- 2 hardwood veneer+lasur (ash, oak)
- 3 teak veneer+oil

Lock: 1- or 3-point locking according to the customer's wishes
(ASSA, Abloy, Valnes, KfV etc)



- 1 Finishing
- 2 Moisture proof board HDF
- 3 Aluminiumsheet
- 4 HDF
- 5 Thermoisolation
- 6 Wooden carcass
- 7 Gasket
- 8 Frame
- 9 Threshold
- 10 Profile aluminiumslat

OPENING

