

# Automated Parcel Machine

# PackRobot

with Smart Storage System



Outdoor and indoor use



Internal climate control



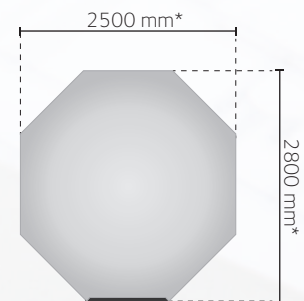
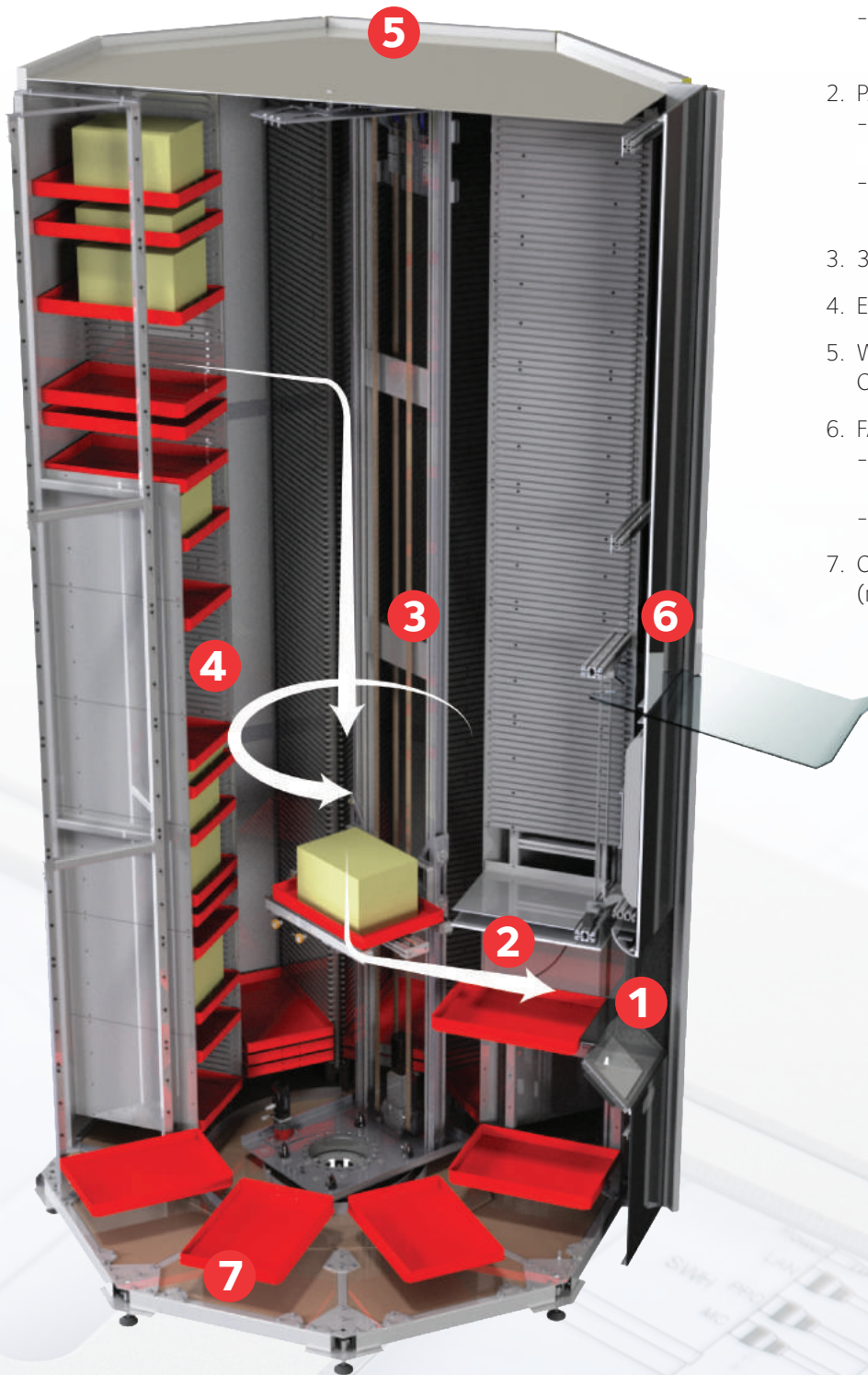
Up to 500 parcels with smart storage system

PackRobot meets the requirements of users with disabilities (e.g. 2010 ADA Standards for Accessible Design and EU Standard EN 301549)

Check out more [www.cleveron.eu/packrobot](http://www.cleveron.eu/packrobot)



1. CONTROL CONSOLE WITH
  - TOUCHSCREEN
  - 2D SCANNER
  - MOTION DETECTOR
  - THREE-STAGE DOOR
  - SECURITY CAMERA (for photos of users)
2. PARCEL GATEWAY WITH
  - AUTOMATIC HEIGHT MEASURING
  - SECURITY CAMERA (for photos of parcels)
3. 3D PARCEL LIFT (2 m/sec)
4. EIGHT COLUMNS FOR PARCEL TRAYS
5. WEATHERPROOF AND INSULATED OUTER SHELL
6. FACADE WITH
  - OPTIONAL SHADE WITH SURVEILLANCE CAMERA
  - OPTIONAL SCREEN FOR PROMOTIONS
7. ONE-SIZE TRAYS FOR ALL PARCELS (max. parcel dimensions 60 x 40 x 40 cm)



\*Excluding shade, external lights, guardrails, etc.



Octagonal shape automated parcel terminal accommodates a fast speed lift system and eight shelf-columns around it. PackRobot's flexible one-size-fits-all shelf and tray system utilises the volume to its maximum - it is capable of holding up to 500 parcels on just 4,9 m<sup>2</sup> floor space.