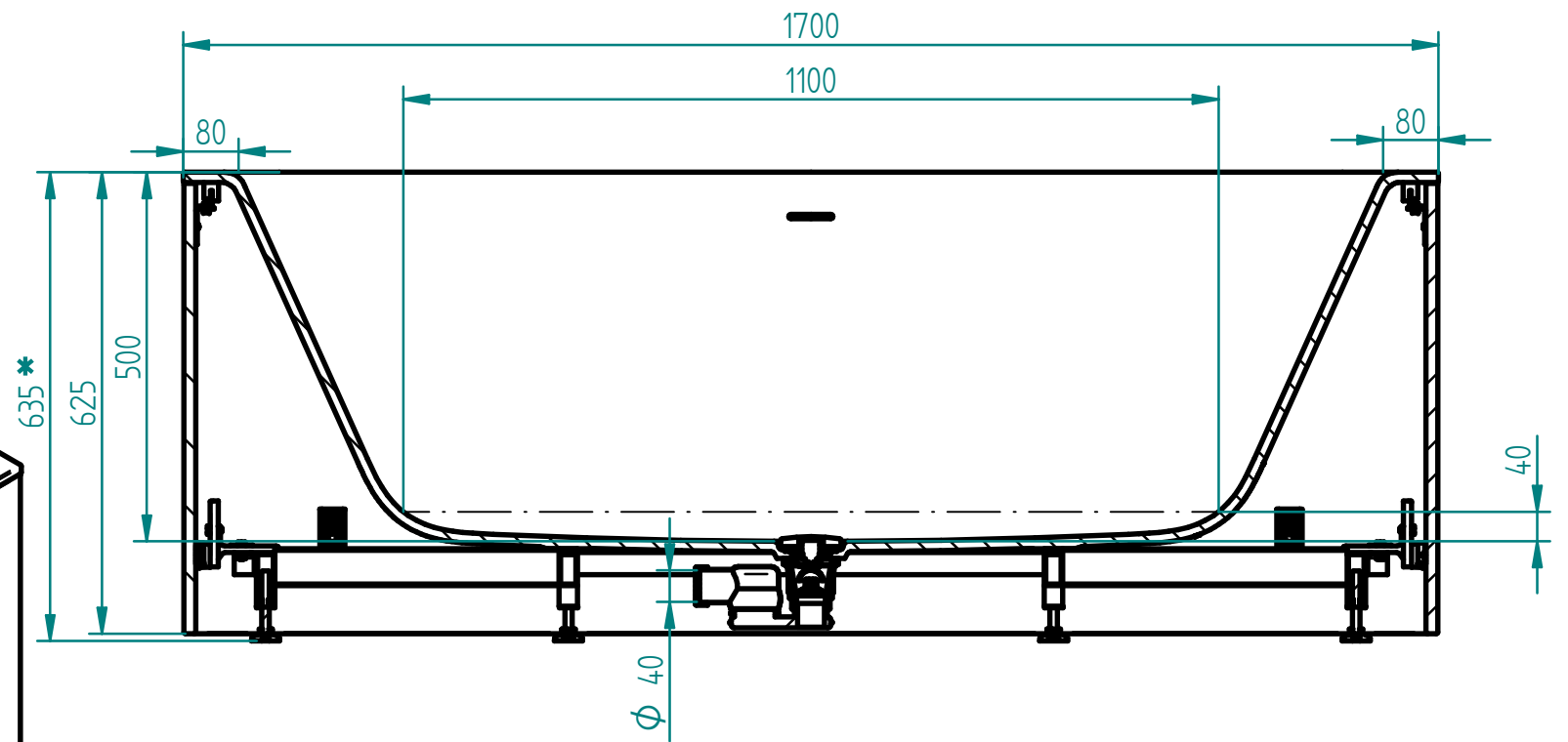
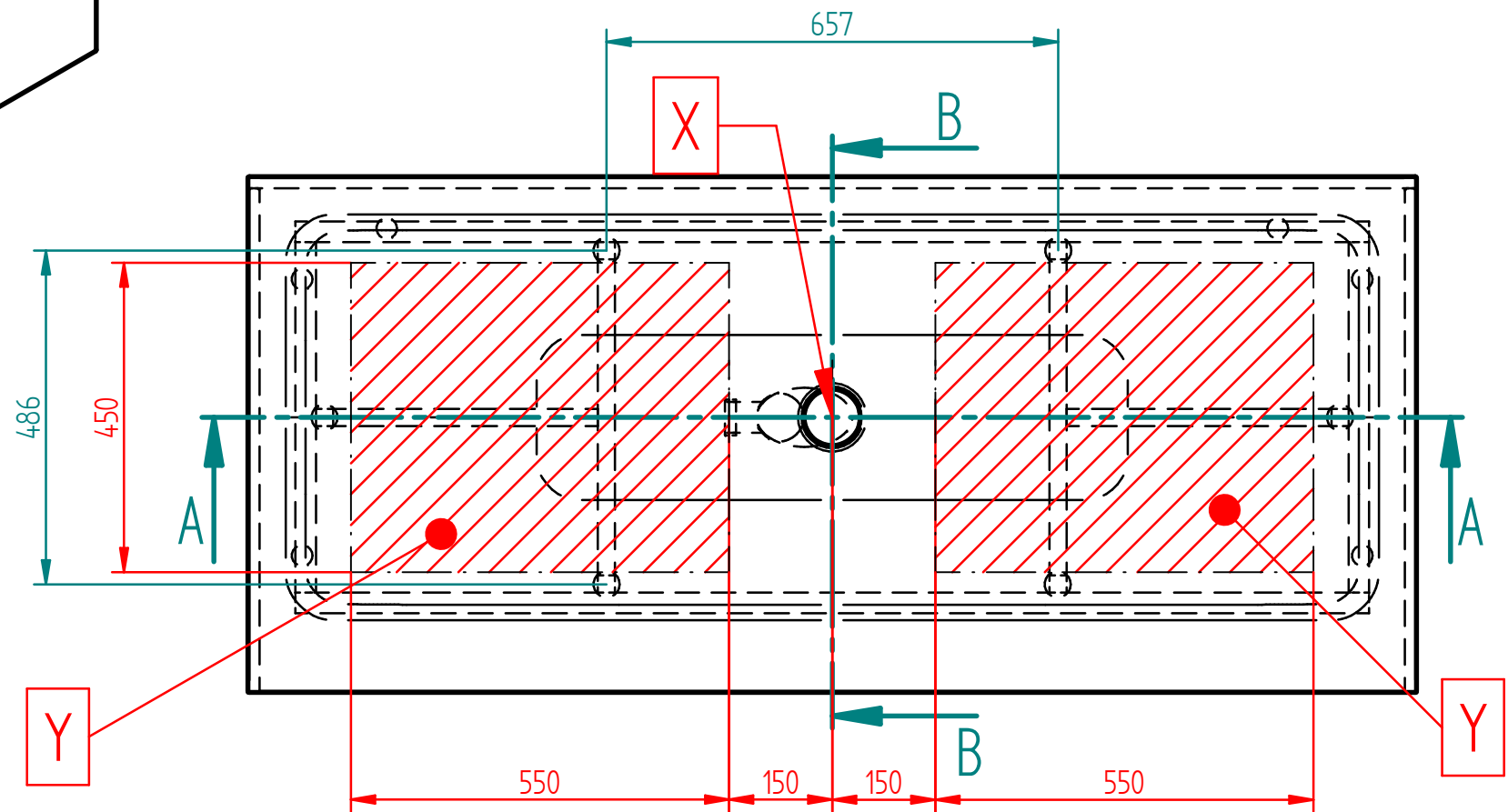
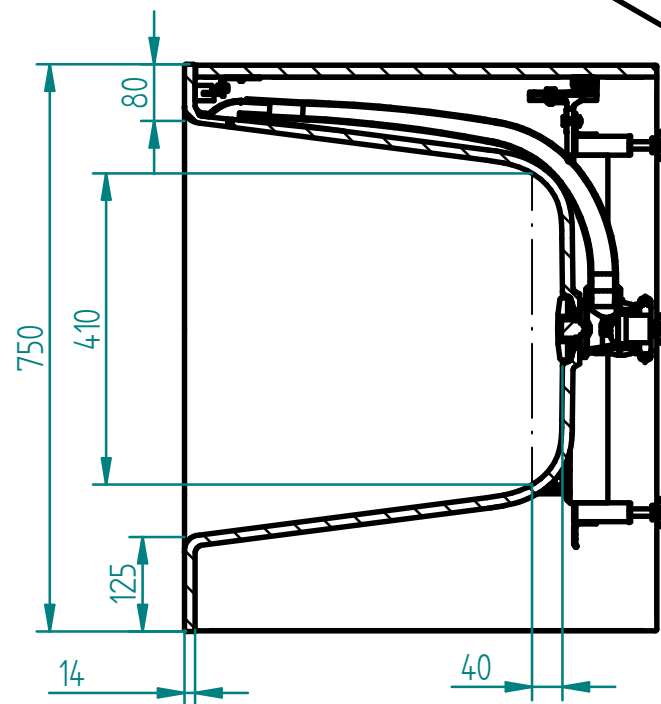


SECTION A-A



SECTION B-B



English	Eesti	France				Plano 1700/750	1:10
1. Product measure tolerances ± 10 mm 2. X-Bathtub drain centre 3. Y-Suggested floor drainage area 4. Frame location tolerance according to X ± 20 mm 5.* Additional bathtub height (by adjusting feet) + 20 mm	1. Toote mõõtude tolerantsid ± 10 mm 2. X-Vanni dreanaazi asukoht 3. Y-Soovituslik põranda dreanaazi asukoht 4. Vanni raami asukoha tolerants punkti X suhtes ± 20 mm 5.* Vanni kõrguse muutus (vanni jalgade reguleerimisel) + 20 mm	1. Product measure tolerances ± 10 mm 2. X-Bathtub drain centre 3. Y-Suggested floor drainage area 4. Frame location tolerance according to X ± 20 mm 5.* Additional bathtub height (by adjusting feet) + 20 mm	1. Product measure tolerances ± 10 mm 2. X-Bathtub drain centre 3. Y-Suggested floor drainage area 4. Frame location tolerance according to X ± 20 mm 5.* Additional bathtub height (by adjusting feet) + 20 mm	1. Product measure tolerances ± 10 mm 2. X-Bathtub drain centre 3. Y-Suggested floor drainage area 4. Frame location tolerance according to X ± 20 mm 5.* Additional bathtub height (by adjusting feet) + 20 mm	1. Product measure tolerances ± 10 mm 2. X-Bathtub drain centre 3. Y-Suggested floor drainage area 4. Frame location tolerance according to X ± 20 mm 5.* Additional bathtub height (by adjusting feet) + 20 mm		
						Water capacity 250 l	