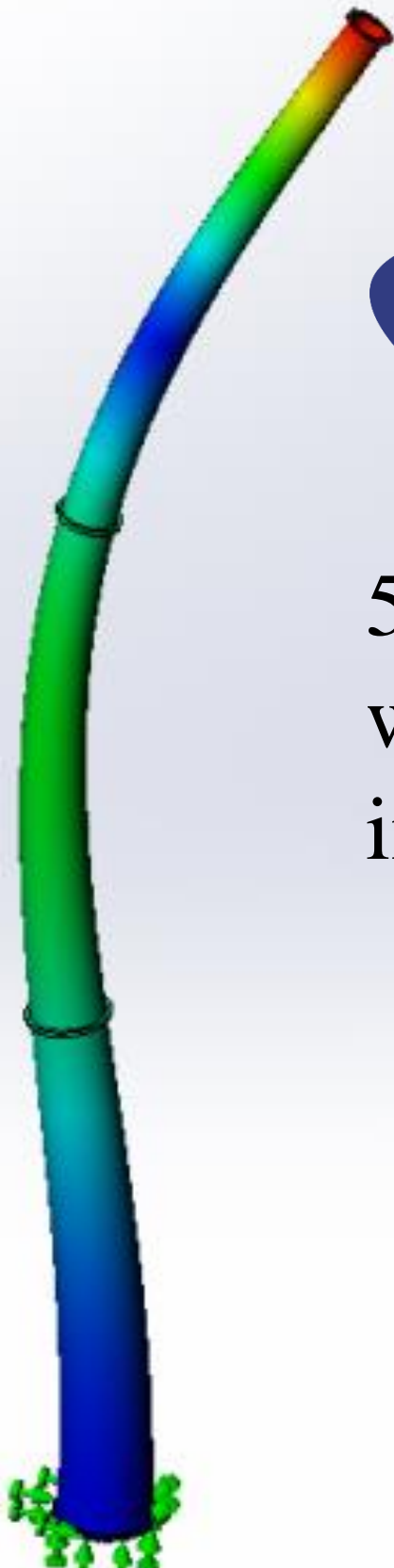


PRELIMINARY DATASHEET! ALL DATA IS ILLUSTRATIVE AND CAN BE CHANGED!



50 kW horizontal axis
wind turbine for successful
investment in wind energy

PRELIMINARY



www.tuge.ee/en
info@tuge.ee
+372 6611113
Tallinn, Estonia

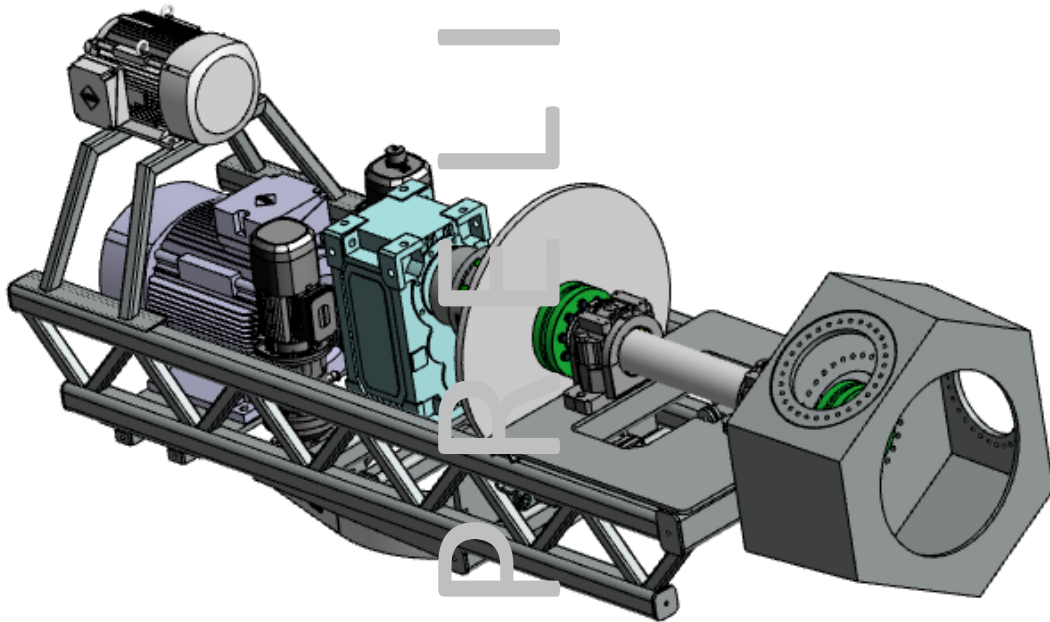


Main benefits:

- Great Return on Investment due to favorable price
- Easy and low-cost maintenance – once in 5 years!
- MCS certified
- 2 generators for maximum efficiency
- No hydraulics

Technical data:

SWT Class I	Rated power:	50 kW
Generator: Asynchronous	Rated wind speed:	11 m/s
Grid side: CEI 0-21 compatible	Cut-out wind speed:	25 m/s
36 monopole tower	Rotor diameter:	16 m
IEC noise @ 60 m < 45 dB	Rotor area:	200 m ²
AEP @ 6 m/s: 104 195 kWh	Ambient temp:	-40...+40°C



www.tuge.ee/en
info@tuge.ee
+372 6611113
Tallinn, Estonia

