

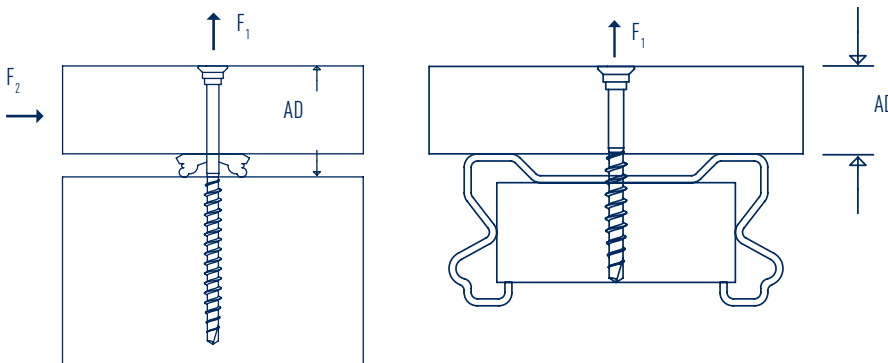


Systemvertrieb Innovativer Holzbauprodukte
Gmunden Austria

SIHGA® GmbH | Gewerbepark Kleinreith 4
A-4694 Ohlsdorf bei Gmunden
Telefon: +43 7612-74370-0
Fax: +43 7612-74370-10
E-Mail: info@sihga.com
Web: www.sihga.com

L-BohrFix® MB

Technical Product Information

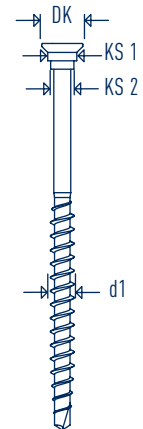


Dimensions [mm]
L-BohrFix® MB

d ₁	TX	DK	KS 1	KS 2
5,0	25	8,5	6,0	4,8

SIHGA® montagepack	Dimensions L-BohrFix® MB	Installation part AD	Installation part SymbioFix® AD	Characteristic values		
				Tension load F ₁ [kN]	Tension load F ₂ [kN]	
Art. No.	PU	d ₁ x L [mm]	[mm]	Head	Wood-Wood	
25896	200	5,0 x 35	14	5	1,10	1,45
25906	200	5,0 x 40	16	10	1,10	1,45
25916	200	5,0 x 45	18	15	1,10	1,45
25926	200	5,0 x 50	20	20	1,10	1,45
25936	200	5,0 x 55	22	25	1,10	1,45
25946	200	5,0 x 60	24	30	1,10	1,45
25956	200	5,0 x 65	26	35	1,10	1,45
25966	200	5,0 x 70	28	40	1,10	1,45
25976	200	5,0 x 80	32	50	1,10	1,45

Characteristic values for dimensioning according to EC 5 | Characteristic values for strength class p_k 410 kg/m³



TAKE THE BEST

