

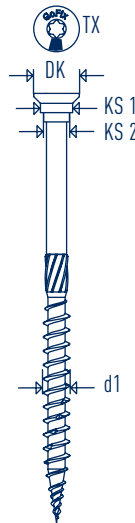
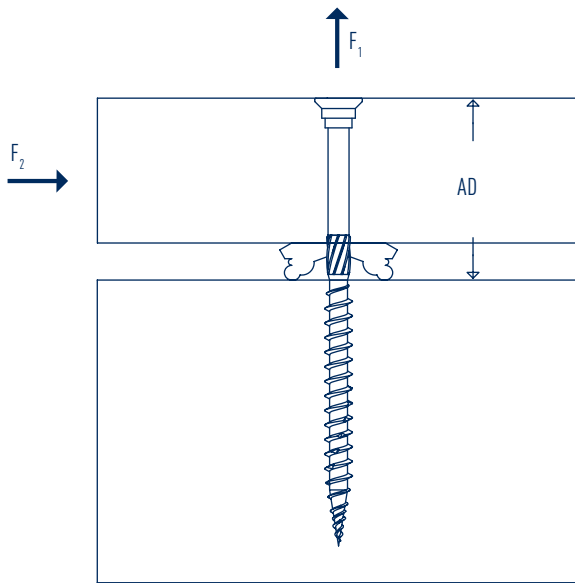


Systemvertrieb Innovativer Holzbauprodukte
Gmunden Austria

SIHGA® GmbH | Gewerbepark Kleinreith 4
A-4694 Ohlsdorf bei Gmunden
Telefon: +43 7612-74370-0
Fax: +43 7612-74370-10
E-Mail: info@sihga.com
Web: www.sihga.com

L-GoFix® MS

Technical Product Information



SIHGA® montagepack		Dimensions L-GoFix® MS	Installation part AD	Characteristic values			
Art. No.	PU	d ₁ x L	[mm]	Tension load F ₁ [kN]	Shear load F ₂ [kN]		
				Head	Thread	Wood-Wood	Steel-Wood
24106	500	4,0 x 30	12	0,46	1,05	0,97	1,23
24116	500	4,0 x 35	14	0,46	1,23	0,97	1,23
24126	500	4,0 x 40*	16	0,46	1,41	0,97	1,23
24136	500	4,0 x 45	18	0,46	1,58	0,97	1,23
24146	500	4,0 x 50*	20	0,46	1,76	0,97	1,23
24156	500	4,0 x 60*	24	0,46	2,05	0,97	1,23
24226	400	4,5 x 40*	16	0,77	1,30	1,30	1,51
24236	400	4,5 x 45*	18	0,77	1,48	1,30	1,51
24246	400	4,5 x 50*	20	0,77	1,67	1,30	1,51
24266	400	4,5 x 60*	24	0,77	1,85	1,30	1,51
24276	300	4,5 x 70*	28	0,77	2,16	1,30	1,51

Dimensions [mm]					
L-GoFix® MS					
d ₁	TX	DK	KS 1	KS 2	
4,0	15	5,5	4,0	3,7	
4,5	20	6,9	5,2	4,2	

* with SC 9 coating available
Characteristic values for dimensioning according to EC 5 | Characteristic values for strength class p_k 410 kg/m³

TAKE THE BEST





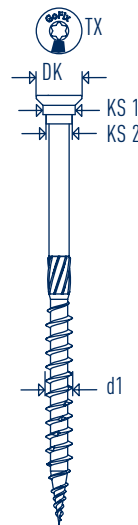
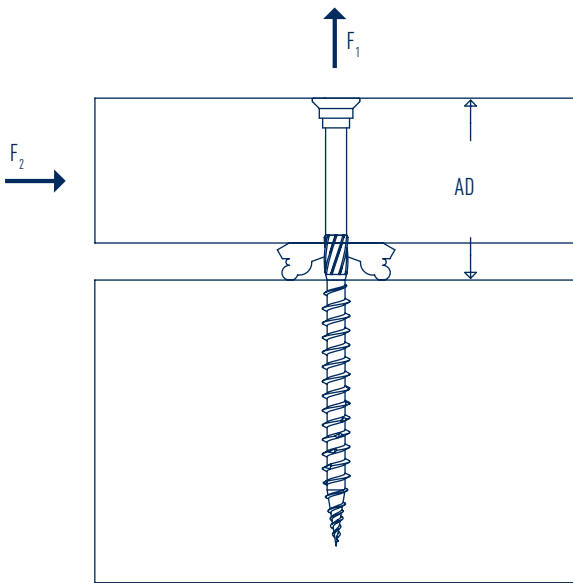
Systemvertrieb Innovativer Holzbauprodukte
Gmunden Austria

SIHGA® GmbH | Gewerbepark Kleinreith 4
A-4694 Ohlsdorf bei Gmunden

Telefon: +43 7612-74370-0
Fax: +43 7612-74370-10
E-Mail: info@sihga.com
Web: www.sihga.com

L-GoFix® MS

Technical Product Information



SIHGA® montagepack		Dimensions L-GoFix® MS	Installation part AD [mm]	Characteristic values			
Art. No.	PU	d ₁ x L		Tension load F ₁ [kN]	Shear load F ₂ [kN]		
				Head	Thread	Wood-Wood	Steel-Wood
24316	200	5,0 x 45*	18	1,10	1,79	1,45	1,71
24326	200	5,0 x 50*°	20	1,10	2,06	1,45	1,71
24336	200	5,0 x 60*°	24	1,10	2,40	1,45	1,71
24346	200	5,0 x 70*	28	1,10	2,75	1,45	1,71
24356	200	5,0 x 80*	32	1,10	3,43	1,45	1,71
24366	200	5,0 x 90*	36	1,10	3,78	1,45	1,71
24376	200	5,0 x 100*	40	1,10	4,12	1,45	1,71
24406	100	6,0 x 70	28	1,96	3,11	2,07	2,61
24416	100	6,0 x 80	32	1,96	3,88	2,07	2,61
24426	100	6,0 x 90	36	1,96	4,27	2,07	2,61
24436	100	6,0 x 100	40	1,96	4,66	2,07	2,61
24446	100	6,0 x 120	50	1,96	5,43	2,07	2,61
24456	100	6,0 x 140	70	1,96	5,43	2,07	2,61
24466	100	6,0 x 160	90	1,96	5,43	2,07	2,61

Dimensions [mm]					
L-GoFix® MS					
d ₁	TX	DK	KS 1	KS 2	
5,0	25	8,5	6,0	4,8	
6,0	30	11,5	7,2	5,8	

* with SC 9 coating available

° with SC 11 coating available

Characteristic values for dimensioning according to EC 5 | Characteristic values for strength class pk 410 kg/m³

TAKE THE BEST

