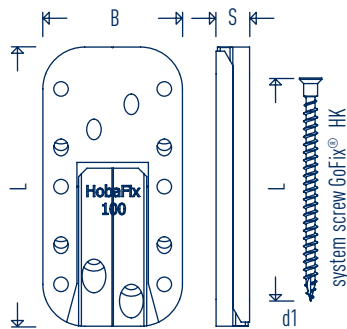
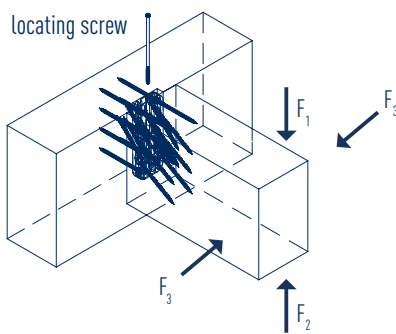


# HobaFix® HF

## Technical Product Information



SIHGA®		Dimensions				Secondary beam		Characteristic values		
montagepack		HobaFix® HF		GoFix® HK		Height	Width	Load direction [kN]		
Art. No.	PU	Type (L)	B	S	d1 x L	[mm]	[mm]	F <sub>1</sub>	F <sub>2</sub>	F <sub>3</sub>
30036	20*	<b>70</b>	30	9	4,0 x 60	80	50	6,80	2,04	4,40
30056	20*	<b>100</b>	50	12	50 x 80	115	80	17,40	8,56	10,60
30076	20*	<b>135</b>	50	12	50 x 80	150	80	26,70	8,56	15,00
30096	20*	<b>170</b>	50	12	50 x 80	185	80	33,40	8,56	16,00
30116	12*	<b>200</b>	70	17	6,0 x 100	220	100	43,00	19,15	22,70

Characteristic values for dimensioning according to EC 5 | Characteristic values for strength class  $\rho_k$  350 kg/m<sup>3</sup>  
\*equal to 10 respectively 6 connections