

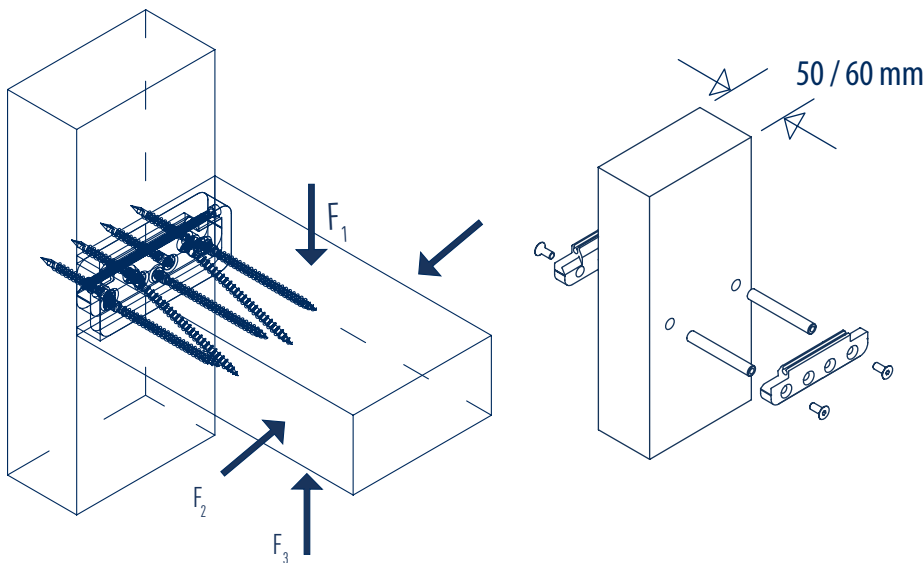


Systemvertrieb Innovativer Holzbauprodukte
Gmunden Austria

SIHGA® GmbH | Gewerbepark Kleinreith 4
A-4694 Ohlsdorf bei Gmunden
Telefon: +43 7612-74370-0
Fax: +43 7612-74370-10
E-Mail: info@sihga.com
Web: www.sihga.com

HobaFix® FA

Technical Product Information



SIHGA® montagepack		Dimensions HobaFix® FA	Secondary beam/girder		Characteristic values		
Art. No.	PU	Type	Height [mm]	Width [mm]	Load direction [kN]		
					F ₁	F ₂	F ₃
30146	20*	95	100	50	11,09	10,89	2,40

Characteristic values for dimensioning according to EC 5 | Characteristic values for strength class C 24 (pk 350 kg/m²)
* equals 10 connections

TAKE THE BEST

