



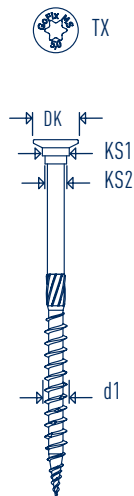
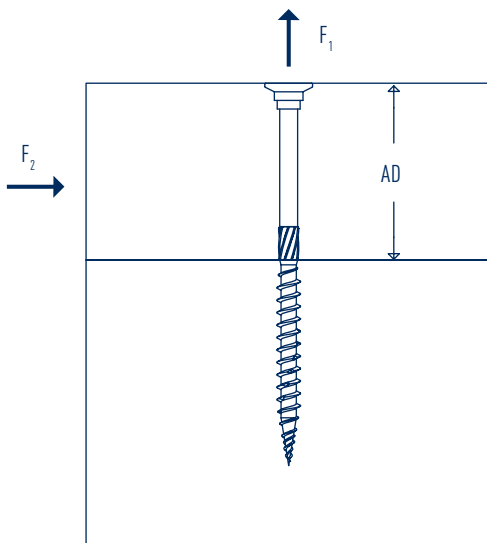
Systemvertrieb Innovativer Holzbauprodukte
Gmunden Austria

SIHGA® GmbH | Gewerbepark Kleinreith 4
A-4694 Ohlsdorf bei Gmunden

Telefon: +43 7612-74370-0
Fax: +43 7612-74370-10
E-Mail: info@sihga.com
Web: www.sihga.com

GoFix® MS II

Technical Product Information



Dimensions [mm]

GoFix® MS II

d ₁	TX	DK	KS 1	KS 2
4,0	15	8,0	5,2	4,0
4,5	20	9,0	5,9	4,5
5,0	25	10,0	6,6	5,0

SIHGA® montagepack	Dimensions GoFix® MS II	Installation part AD	Characteristic values				
			Tension load F ₁ [kN]		Shear load F ₂ [kN]		
Art. No.	PU	d ₁ x L	[mm]	Head	Thread	Wood-Wood	Steel-Wood
44056	500	4,0 x 30	12	1,09	1,07	0,82	1,07
44066	500	4,0 x 35	14	1,09	1,24	0,85	1,18
44076	500	4,0 x 40	16	1,09	1,42	0,89	1,29
44086	500	4,0 x 45	18	1,09	4,60	0,92	1,41
44096	500	4,0 x 50	20	1,09	1,78	0,96	1,53
44106	500	4,0 x 60	24	1,09	2,13	1,04	1,67
44226	400	4,5 x 50	20	1,43	1,86	1,17	1,71
44236	400	4,5 x 60	24	1,43	2,24	1,25	1,97
44246	300	4,5 x 70	28	1,43	2,61	1,34	2,11
44316	200	5,0 x 50	20	1,46	2,04	1,29	1,91
44326	200	5,0 x 60	24	1,46	2,45	1,37	2,18
44336	200	5,0 x 70	28	1,46	2,86	1,46	2,46
44346	200	5,0 x 80	32	1,46	3,26	1,56	2,56
44356	200	5,0 x 90	36	1,46	3,67	1,60	2,66
44366	200	5,0 x 100	40	1,46	4,08	1,60	2,76
44376	200	5,0 x 120	50	1,46	4,76	1,60	2,93

Characteristic values for dimensioning according to EC 5 | Characteristic values for strength class pk 350 kg/m³

TAKE THE BEST



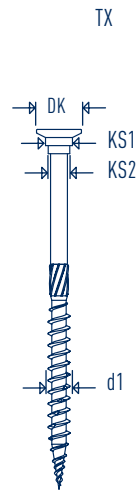
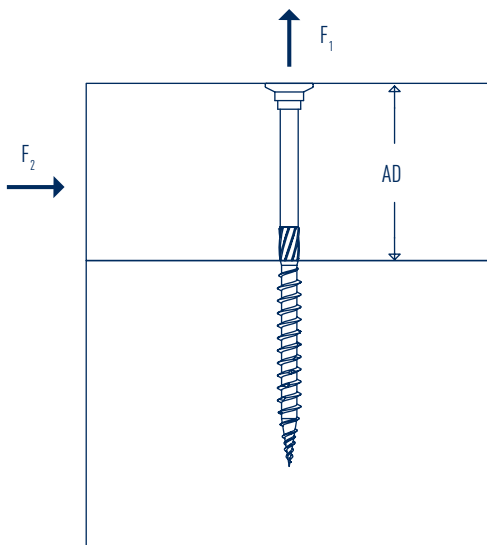


Systemvertrieb Innovativer Holzbauprodukte
Gmunden Austria

SIHGA® GmbH | Gewerbepark Kleinreith 4
A-4694 Ohlsdorf bei Gmunden
Telefon: +43 7612-74370-0
Fax: +43 7612-74370-10
E-Mail: info@sihga.com
Web: www.sihga.com

GoFix® MS II

Technical Product Information



Dimensions [mm]

GoFix® MS II

d ₁	TX	DK	KS 1	KS 2
6,0	30	13,5	8,6	6,0

SIHGA® montagepack		Dimensions	Installation part	Characteristic values			
Art. No.	PU	d ₁ x L	AD [mm]	Tension load F ₁ [kN]		Shear load F ₂ [kN]	
		GoFix® MS II		Head	Thread	Wood-Wood	Steel-Wood
44406	100	6,0 x 70	28	2,44	3,35	1,93	2,90
44416	100	6,0 x 80	32	2,44	3,83	2,03	3,23
44426	100	6,0 x 90	36	2,44	4,31	2,14	3,37
44436	100	6,0 x 100	40	2,44	4,79	2,24	3,49
44446	100	6,0 x 120	50	2,44	5,58	2,24	3,68
44456	100	6,0 x 140	70	2,44	5,58	2,24	3,68
44466	100	6,0 x 160	90	2,44	5,58	2,24	3,68
44476	100	6,0 x 180	110	2,44	5,58	2,24	3,68
44486	100	6,0 x 200	130	2,44	5,58	2,24	3,68

Characteristic values for dimensioning according to EC 5 | Characteristic values for strength class pk 350 kg/m³

TAKE THE BEST



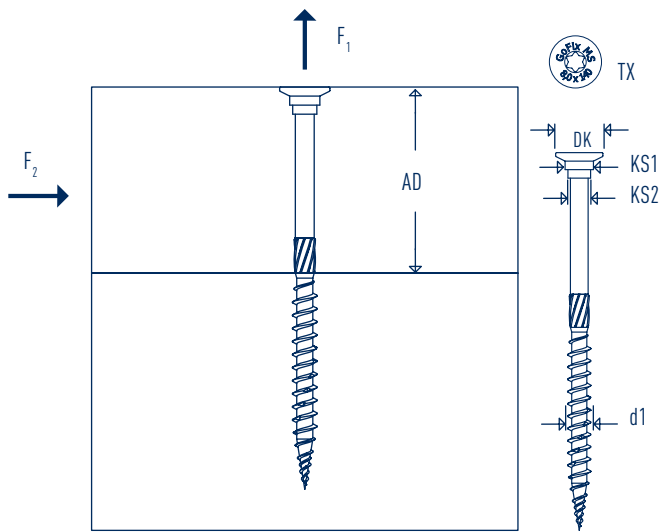


Systemvertrieb Innovativer Holzbauprodukte
Gmunden Austria

SIHGA® GmbH | Gewerbepark Kleinreith 4
A-4694 Ohlsdorf bei Gmunden
Telefon: +43 7612-74370-0
Fax: +43 7612-74370-10
E-Mail: info@sihga.com
Web: www.sihga.com

GoFix® MS II

Technical Product Information

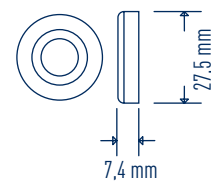


Dimensions [mm]

GoFix® MS II				
d ₁	TX	DK	KS 1	KS 2
8,0	40	18,3	11,6	8,0

SIHGA® montagepack		Dimensions GoFix® MS II	Installation part AD	Characteristic values			
Art. No.	PU	d ₁ x L	[mm]	Tension load F ₁ [kN]		Shear load F ₂ [kN]	
				Head	Thread	Wood-Wood	Steel-Wood
44506	75	8,0 x 80	30	4,18	4,38	3,93	6,07
44516	75	8,0 x 100	40	4,18	5,25	4,49	6,31
44526	75	8,0 x 120	50	4,18	6,13	4,54	6,52
44536	75	8,0 x 140	60	4,18	7,00	4,54	6,74
44546	75	8,0 x 160	70	4,18	7,88	4,54	6,95
44556	75	8,0 x 180	80	4,18	8,76	4,54	7,17
44566	75	8,0 x 200	100	4,18	8,76	4,54	7,17
44576	75	8,0 x 220	120	4,18	8,76	4,54	7,17
44586	75	8,0 x 240	140	4,18	8,76	4,54	7,17
44596	75	8,0 x 260	160	4,18	8,76	4,54	7,17
44606	75	8,0 x 280	180	4,18	8,76	4,54	7,17
44616	75	8,0 x 300	200	4,18	8,76	4,54	7,17
44626	75	8,0 x 320	220	4,18	8,76	4,54	7,17
44636	75	8,0 x 340	240	4,18	8,76	4,54	7,17
44646	75	8,0 x 360	260	4,18	8,76	4,54	7,17
44656	75	8,0 x 380	280	4,18	8,76	4,54	7,17
44666	75	8,0 x 400	300	4,18	8,76	4,54	7,17
44676	75	8,0 x 450	350	4,18	8,76	4,54	7,17
44686	75	8,0 x 500	400	4,18	8,76	4,54	7,17

Dimensions Washer MSZ	Characteristic Values Tension load F ₁ [kN]
d _{MSZ} [mm]	Washer MSZ
27,5	9,1



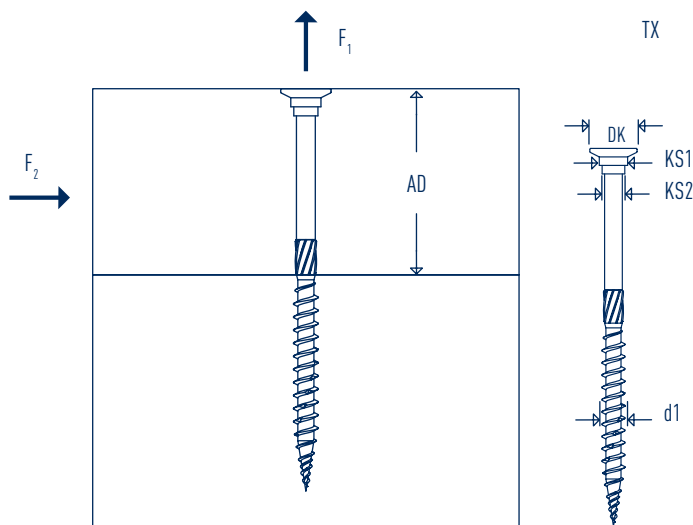
Characteristic values for dimensioning according to EC 5 | Characteristic values for strength class pk 350 kg/m³

TAKE THE BEST



GoFix® MS II

Technical Product Information



Dimensions [mm]

GoFix® MS II

d ₁	TX	DK	KS 1	KS 2
10,0	50	22,5	14,4	10,0

SIHGA® montagepack		Dimensions GoFix® MS II	Installation part AD	Characteristic Values			
Art. No.	PU	d ₁ x L	[mm]	Tension load F ₁ [kN]		Shear load F ₂ [kN]	
				Head	Thread	Wood-Wood	Steel-Wood
44706	50	10,0 x 80	30	5,33	4,86	4,82	7,45
44716	50	10,0 x 100	40	5,33	5,83	5,57	8,14
44726	50	10,0 x 120	50	5,33	6,80	5,94	8,38
44736	50	10,0 x 140	60	5,33	7,77	5,94	8,62
44746	50	10,0 x 160	70	5,33	8,74	5,94	8,85
44756	50	10,0 x 180	80	5,33	9,72	5,94	9,09
44766	50	10,0 x 200	100	5,33	9,72	5,94	9,09
44776	50	10,0 x 220	120	5,33	9,72	5,94	9,09
44786	50	10,0 x 240	140	5,33	9,72	5,94	9,09
44796	50	10,0 x 260	160	5,33	9,72	5,94	9,09
44806	50	10,0 x 280	180	5,33	9,72	5,94	9,09
44816	50	10,0 x 300	200	5,33	9,72	5,94	9,09
44826	50	10,0 x 320	220	5,33	9,72	5,94	9,09
44836	50	10,0 x 340	240	5,33	9,72	5,94	9,09
44846	50	10,0 x 360	260	5,33	9,72	5,94	9,09
44856	50	10,0 x 400	300	5,33	9,72	5,94	9,09
44866	50	10,0 x 450	350	5,33	9,72	5,94	9,09
44876	50	10,0 x 500	400	5,33	9,72	5,94	9,09
44886	50	10,0 x 550	450	5,33	9,72	5,94	9,09
44896	50	10,0 x 600	500	5,33	9,72	5,94	9,09

Characteristic values for dimensioning according to EC 5 | Characteristic values for strength class pk 350 kg/m³