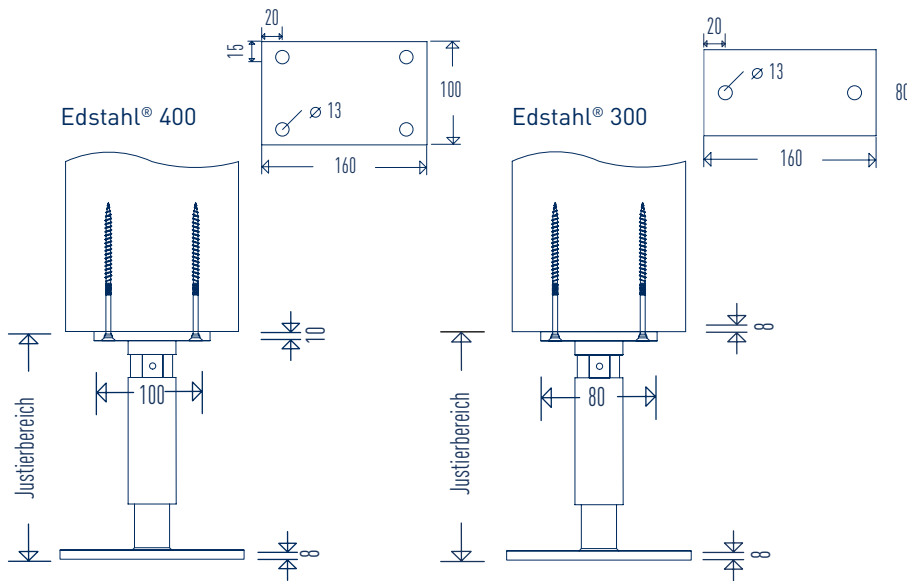


Edstahl®

Technical Product Information



SIHGA® objektpack		Dimension Edstahl®	Adjustment range Height [mm]		Characteristic values L-GoFix® MS 6,0 x 160		
Art. No.	PU	Type	from	tow	Pressure [kN]	Tension [kN]	Transverse [kN]
28609	10	300	125	170	113,70	2,04	1,47
28709	5	400	160	225	191,20	2,04	1,47

Characteristic values for dimensioning according to EC 5 | Characteristic values for strength class C24 (ρ_k 350 kg/m³)