



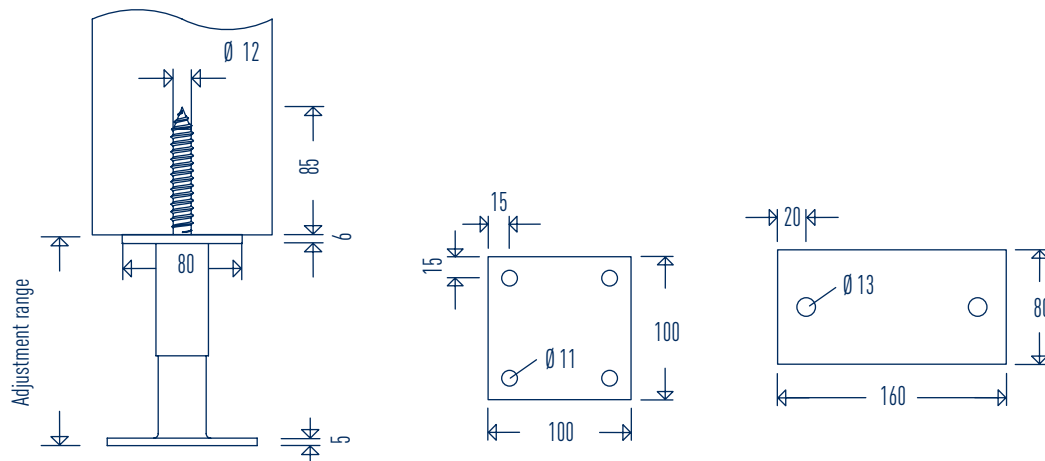
Systemvertrieb Innovativer Holzbauprodukte  
Gmunden Austria

SIHGA® GmbH | Gewerbeplatz Kleinreith 4  
A-4694 Ohlsdorf bei Gmunden

**Telefon:** +43 7612-74370-0  
**Fax:** +43 7612-74370-10  
**E-Mail:** info@sihga.com  
**Web:** www.sihga.com

# ZaFix® STZ

## Technical Product Information



SIHGA® objektpack		ZaFix® STZ	Adjustment range		Characteristic values	
Art. No.	PU	Type	Height [mm]		Compressive load [kN]	Tension load [kN]
			from	to	R <sub>c</sub> , k	R <sub>t</sub> , k
35909	10	<b>STZ 211</b>	120	160	44,63	-
35919	10	<b>STZ 221</b>	120	160	44,63	-
36009	10	<b>STZ 310</b>	120	160	70,42	-
36019	10	<b>STZ 311</b>	120	160	70,42	-
36059	10	<b>STZ 320</b>	120	160	70,42	-
36069	10	<b>STZ 321</b>	120	160	70,42	-

Characteristic values for dimensioning according to EC 5 | Characteristic values for strength class C24 (p<sub>k</sub> 350 kg/m<sup>3</sup>)

TAKE THE BEST





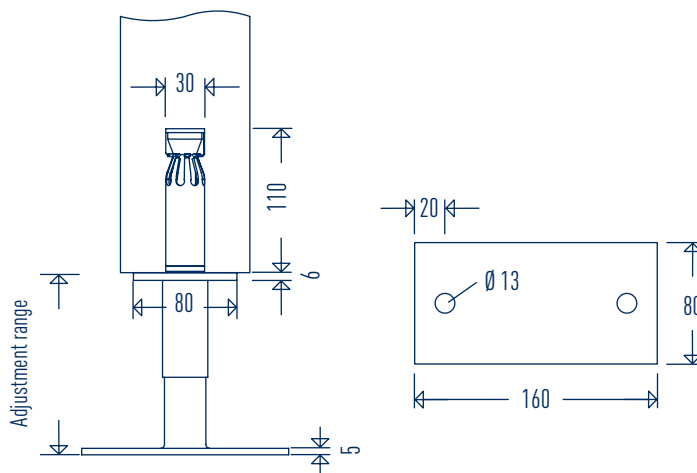
Systemvertrieb Innovativer Holzbauprodukte  
Gmunden Austria

SIHGA® GmbH | Gewerbepark Kleinreith 4  
A-4694 Ohlsdorf bei Gmunden

**Telefon:** +43 7612-74370-0  
**Fax:** +43 7612-74370-10  
**E-Mail:** info@sihga.com  
**Web:** www.sihga.com

# ZaFix® STZ

## Technical Product Information



SIHGA® objektpack		ZaFix® STZ	Adjustment range Height [mm]		Characteristic values Compressive load [kN] Tension load [kN]	
Art. No.	PU	Type	from	to	R <sub>c</sub> , k	R <sub>t</sub> , k
36109	10	<b>STZ 330</b>	125	160	70,42	8,98
36119	10	<b>STZ 331</b>	125	160	70,42	8,98
36129	10	<b>STZ 332</b>	165	200	57,38	8,98
36139	10	<b>STZ 333</b>	205	240	46,26	8,98
36169	10	<b>STZ 336</b>	160	195	59,20	8,98
36189	10	<b>STZ 338</b>	160	195	59,20	8,98

Characteristic values for dimensioning according to EC 5 | Characteristic values for strength class C24 (ρ<sub>k</sub> 350 kg/m<sup>3</sup>)

TAKE THE BEST





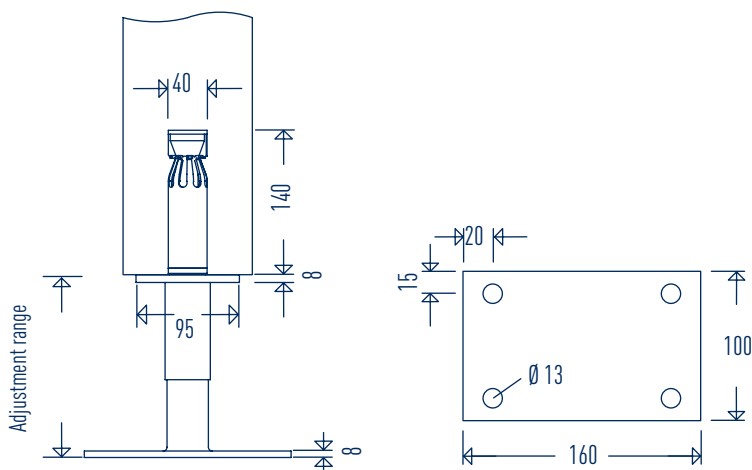
Systemvertrieb Innovativer Holzbauprodukte  
Gmunden Austria

SIHGA® GmbH | Gewerbepark Kleinreith 4  
A-4694 Ohlsdorf bei Gmunden

**Telefon:** +43 7612-74370-0  
**Fax:** +43 7612-74370-10  
**E-Mail:** info@sihga.com  
**Web:** www.sihga.com

# ZaFix® STZ

## Technical Product Information



SIHGA® objektpack		ZaFix® STZ	Adjustment range		Characteristic values	
Art. No.	PU	Type	from	to	Compressive load [kN]	Tension load [kN]
36529	5	<b>STZ 742</b>	165	210	154,50	10,57
36539	5	<b>STZ 743</b>	215	260	140,08	10,57
36549	5	<b>STZ 744</b>	265	310	117,72	10,57

Characteristic values for dimensioning according to EC 5 | Characteristic values for strength class C24 (pk 350 kg/m³)

TAKE THE BEST

