



Systemvertrieb Innovativer Holzbauprodukte
Gmunden Austria

SIHGA® GmbH | Gewerbeplatz Kleinreith 4
A-4694 Ohlsdorf bei Gmunden

Telefon: +43 7612-74370-0
Fax: +43 7612-74370-10
E-Mail: info@sihga.com
Web: www.sihga.com

IdeFix® STF

Technical Product Information



STF 337 (80 - 95 mm)



STF 331 (125 - 160 mm)



STF 330 (125 - 160 mm)



STF 332 (165 - 200 mm)



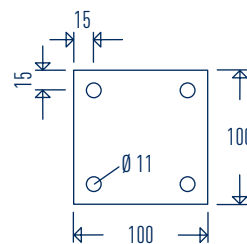
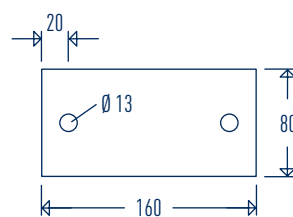
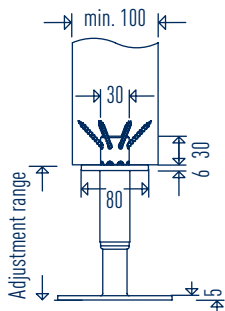
STF 333 (205 - 240 mm)



STF 336 (160 - 195 mm)



STF 338 (160 - 195 mm)



SIHGA® objektpack		IdeFix® STF	Adjustment range Height [mm]		Characteristic values Compressive load [kN] Tension load [kN]	
Art. No.	PU	Type	from	to	Rc, k	Rt, k
28269	10	STF 337	80	95	70,42	17,00
28219	10	STF 331	125	160	70,42	17,00
28209	10	STF 330	125	160	70,42	17,00
28229	10	STF 332	165	200	57,38	17,00
28239	10	STF 333	205	240	46,26	17,00
28259	10	STF 336	160	195	59,20	17,00
28289	10	STF 338	160	195	59,20	17,00

Characteristic values for dimensioning according to EC 5 | Characteristic values for strength class C24 (pk 350 kg/m³)

TAKE THE BEST





Systemvertrieb Innovativer Holzbauprodukte
Gmunden Austria

SIHGA® GmbH | Gewerbepark Kleinreith 4
A-4694 Ohlsdorf bei Gmunden

Telefon: +43 7612-74370-0
Fax: +43 7612-74370-10
E-Mail: info@sihga.com
Web: www.sihga.com

IdeFix® STF

Technical Product Information



STF 442 (170 - 220 mm)



STF 443 (220 - 270 mm)



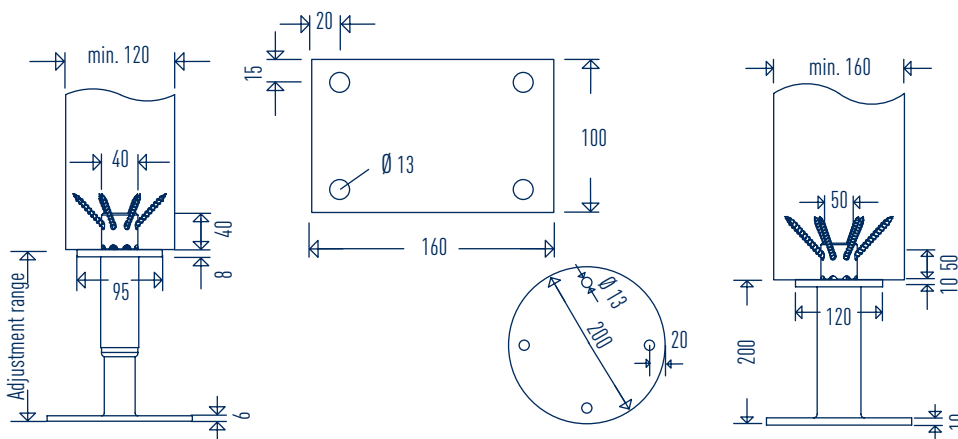
STF 444 (270 - 320 mm)



STF 445 (320 - 370 mm)



STF 952 (200 mm)



SIHGA® objektpack		IdeFix® STF	Adjustment range Height [mm]		Characteristic values Compressive load [kN] Tension load [kN]	
Art. No.	PU	Type	from	to	Rc, k	Rt,k
28309	5	STF 442	170	220	101,68	29,00
28319	5	STF 443	220	270	82,79	29,00
28329	5	STF 444	270	320	66,55	29,00
28339	5	STF 445	320	370	53,67	29,00
28529	2	STF 952	200 (not adjustable)		260,12	45,08

Characteristic values for dimensioning according to EC 5 | Characteristic values for strength class C24 (pk 350 kg/m³)

TAKE THE BEST





Systemvertrieb Innovativer Holzbauprodukte
Gmunden Austria

SIHGA® GmbH | Gewerbepark Kleinreith 4
A-4694 Ohlsdorf bei Gmunden

Telefon: +43 7612-74370-0
Fax: +43 7612-74370-10
E-Mail: info@sihga.com
Web: www.sihga.com

IdeFix® STF

Technical Product Information



STF 742 (165 - 210 mm)

STF 743 (215 - 260 mm)

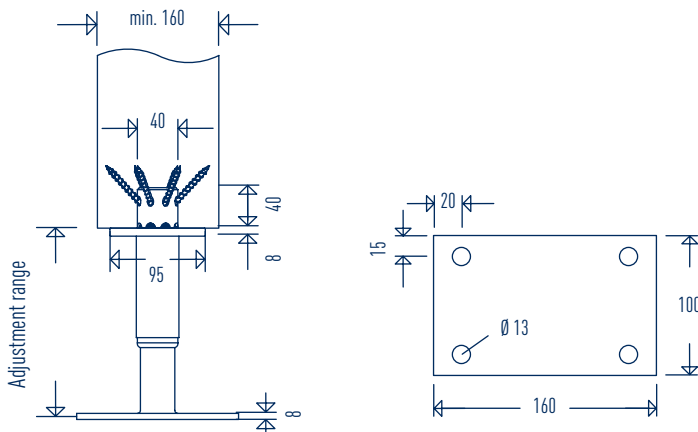
STF 744 (265 - 310 mm)



STF 745 (315 - 360 mm)

STF 746 (200 - 250 mm)

STF 748 (bis 215 mm)



SIHGA® objektpack		IdeFix® STF	Adjustment range		Characteristic values	
Art. No.	PU	Type	from	to	Compressive load [kN] Rc, k	Tension load [kN] Rt, k
28409	5	STF 742	165	210	154,50	37,90
28419	5	STF 743	215	260	140,08	37,90
28429	5	STF 744	265	310	117,72	37,90
28439	5	STF 745	315	360	97,85	37,90
28459	5	STF 746	200	250	144,69	37,90
28479	5	STF 748	up to 215		160,69	37,90

Characteristic values for dimensioning according to EC 5 | Characteristic values for strength class C24 (pk 350 kg/m³)

TAKE THE BEST

