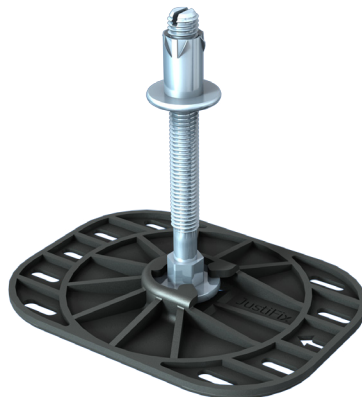




# JustiFix® II JM



## JustiFix® II JM



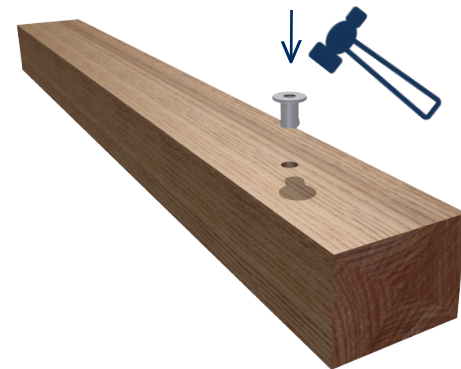
Type	J
	[mm]
II JM 40	25 - 40
II JM 60	25 - 60
II JM 80	25 - 80

MA Nr. 38862/18/1

1.



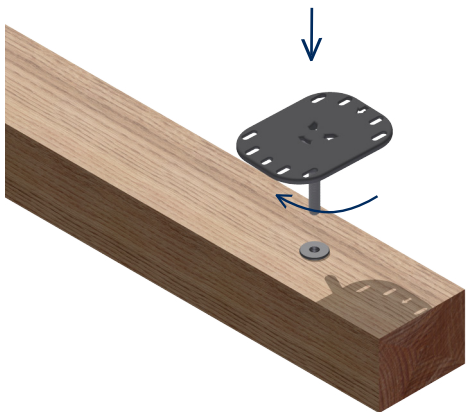
2.



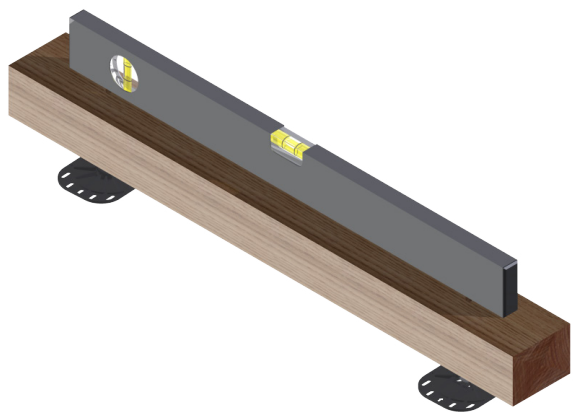
### TAKE THE BEST



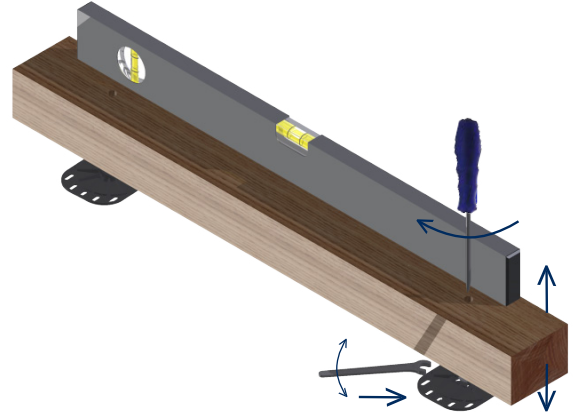
3.



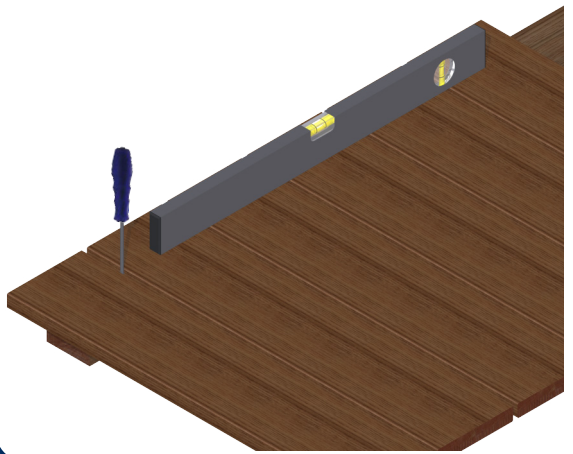
4.



5.



6.



7.



8.

