



INNOR 

PRODUCT CATALOGUE



Innore is focused on offering modern stair and balcony railing solutions. We create the engineering concept, produce the railings and install them to your building. Our range of products includes aluminium and steel railings. Our qualification and experience helps you to find a modern, quality and long-lasting solution.

INNORE 

www.innore.eu

Table of contents

Stair railings	4
S-Line Uppsala	5
S-Line Karlstad	6
G-Line Boden	7
Balcony railings	8
A-Line Tornio - SIDE MOUNTED	9
A-Line Tornio - TOP MOUNTED	10
A-Line Bodo	11
T-Line Trysil - SIDE MOUNTED	12
T-Line Trysil - TOP MOUNTED	13
T-Line Lillehammer	14
F-Line Gotland	15
F-Line Nordkapp	16
G-Line Stockholm	17
G-Line Bergen - SIDE MOUNTED	18
G-Line Bergen - TOP MOUNTED	19
G-Line Oslo	20
G-Line Holmenkollen - SIDE MOUNTED	21
G-Line Holmenkollen - TOP MOUNTED	22
G-Line Helsinki	23
Contacts	24

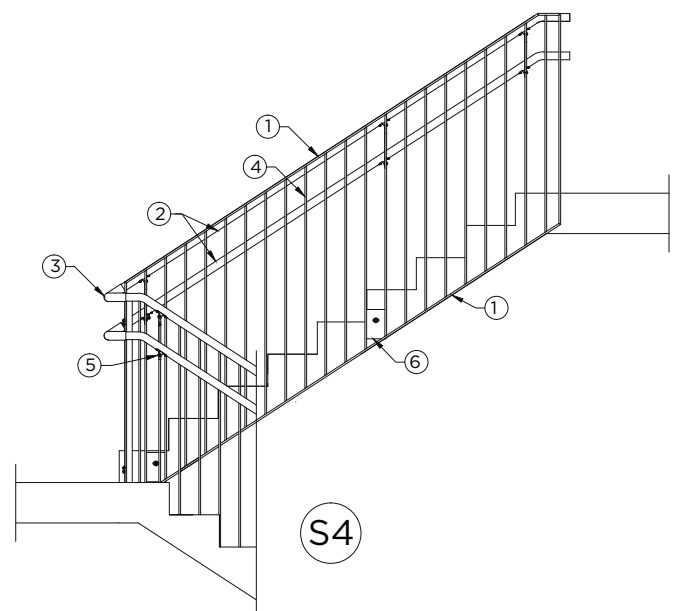
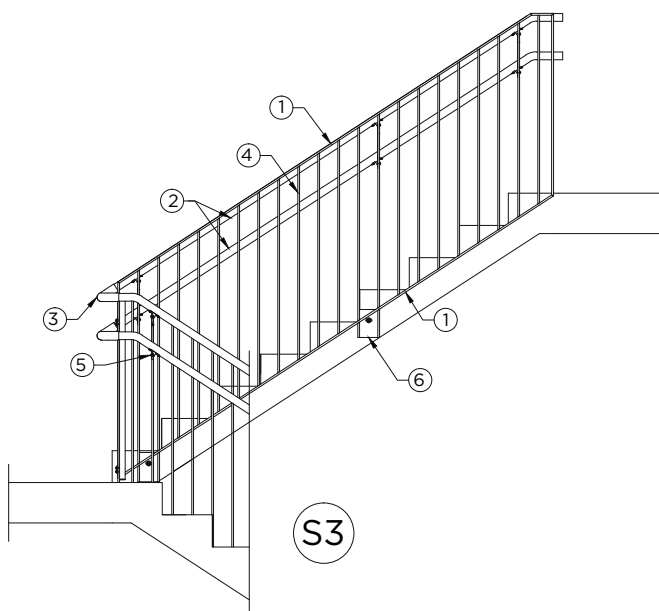


STAIR RAILINGS

S-Line Uppsala

Nr	Name	Description
1	Frame	STEEL RHS 40x10mm
2	Handrail	AL Ø42,4mm
3	Handrail elbow	AL Ø47mm
4	Picket	STEEL RHS 40x10mm
5	Handrail holder	STEEL -10x6mm
6	Distance plate	STEEL -120x150x6mm

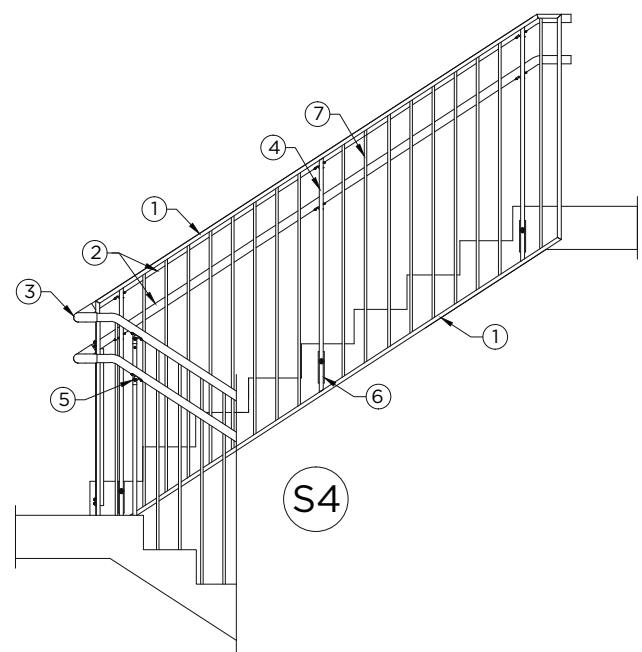
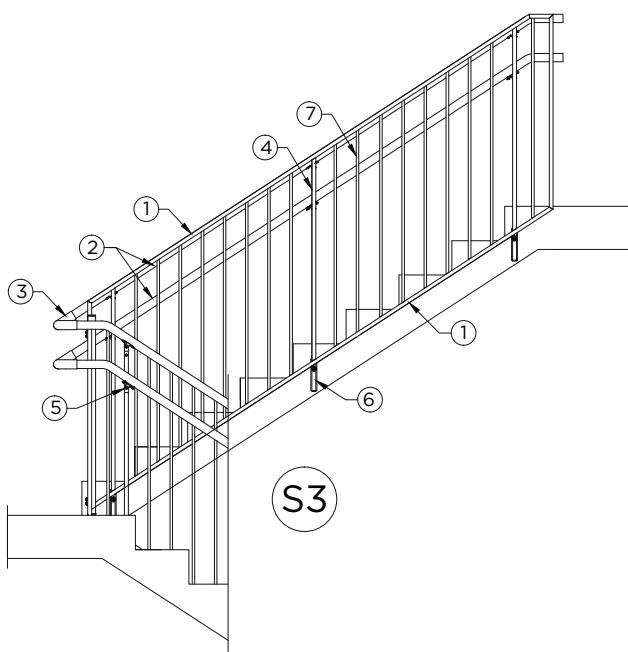
Surface treatment:	Powder coated
Colour chart:	RAL
Design options:	S3 & S4



S-Line Karlstad

Nr	Name	Description
1	Frame	STEELRHS 40x20mm
2	Handrail	AL Ø42,4mm
3	Handrail elbow	AL Ø47mm
4	Picket	STEEL Ø14mm
5	Handrail holder	STEEL -20x6mm
6	Distance plate	STEEL -30x160x6mm
7	Frame column	STEELRHS 40x20mm

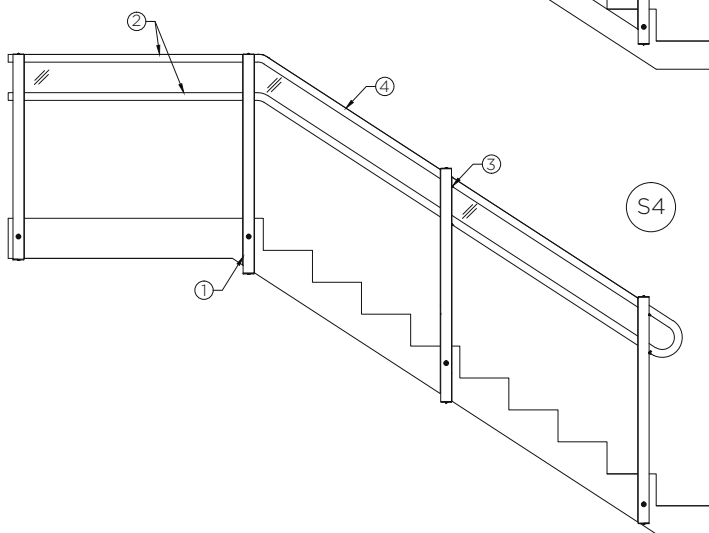
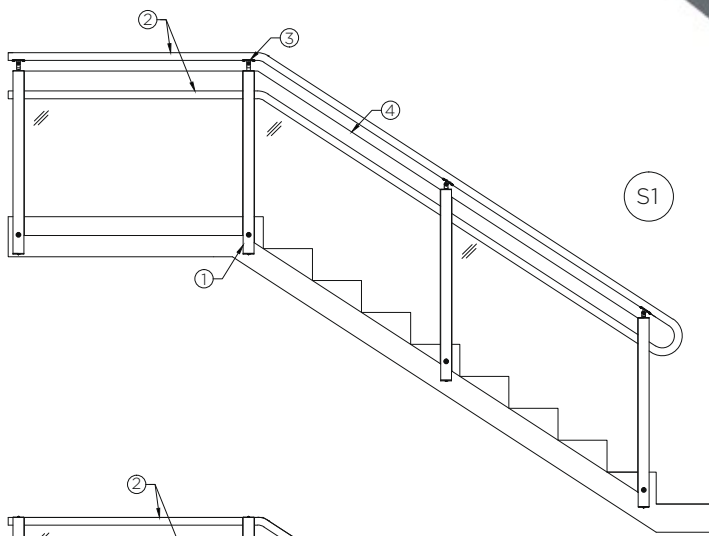
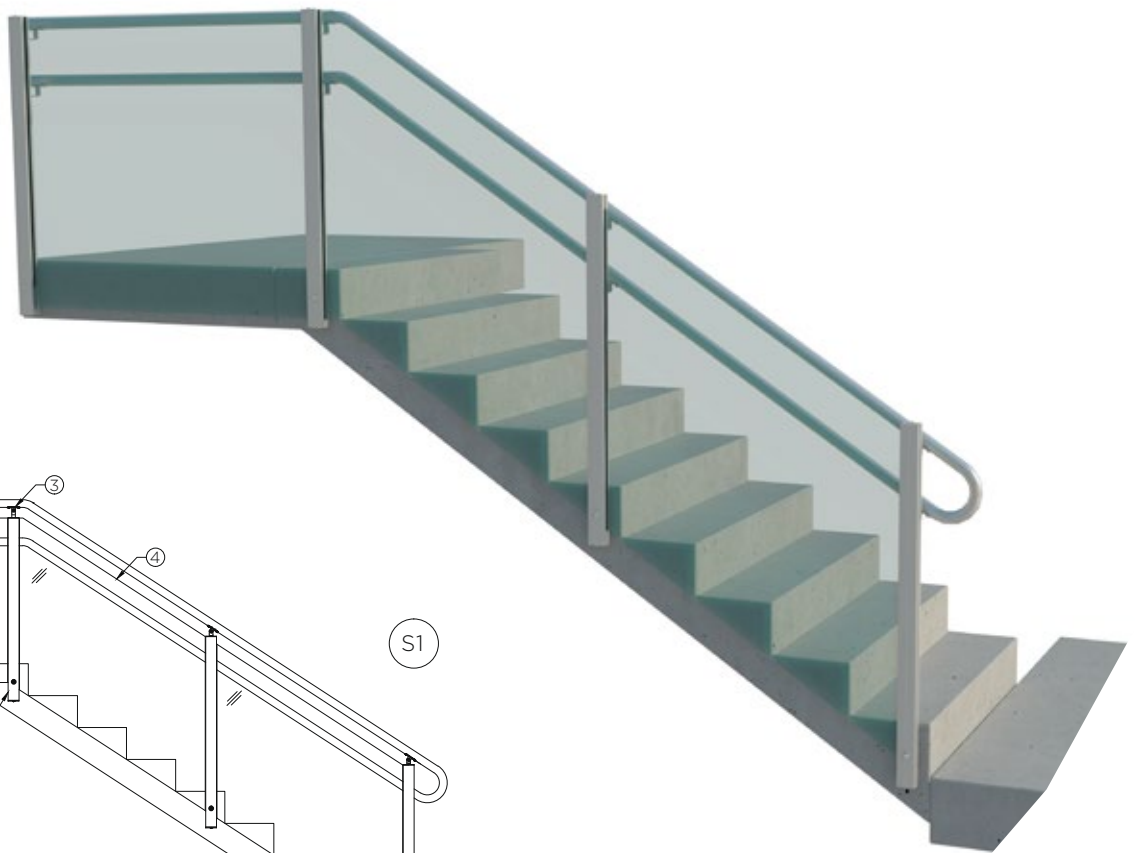
Surface treatment:	Powder coated
Colour chart:	RAL
Design options:	S3 & S4



G-Line Boden

Nr	Name	Description
1	Column	AL 45x60mm
2	Handrail	AL Ø42,4mm
3	Handrail holder	STEEL-20x6mm
4	Glass	Laminated

Surface treatment:	Powder coated
Colour chart:	RAL
Glass options:	Clear, toned, opal
Design options:	S1 & S4



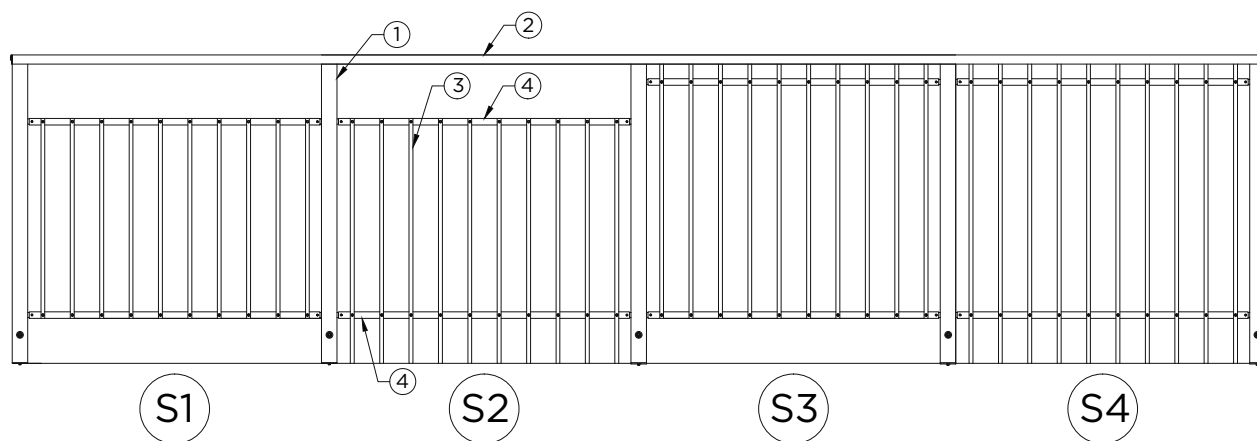


BALCONY RAILINGS

A-Line Tornio - SIDE MOUNTED

Nr	Name	Description
1	Column	AL 45x60mm
2	Handrail	AL 82x35mm
3	Picket	AL 15x15mm
4	Horizontal bar	AL 25x20mm

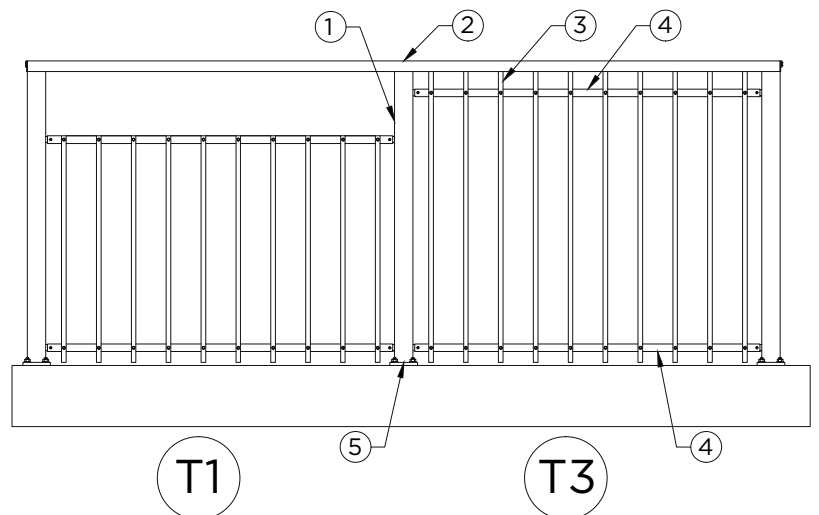
Surface treatment:	Powder coated
Colour chart:	RAL
Design options:	S1, S2, S3, S4



A-Line Tornio - TOP MOUNTED

Nr	Name	Description
1	Column	AL 45x60mm
2	Handrail	AL 82x35mm
3	Picket	AL 15x15mm
4	Horizontal bar	AL 25x20mm
5	Baseplate	AL -90x110x10mm

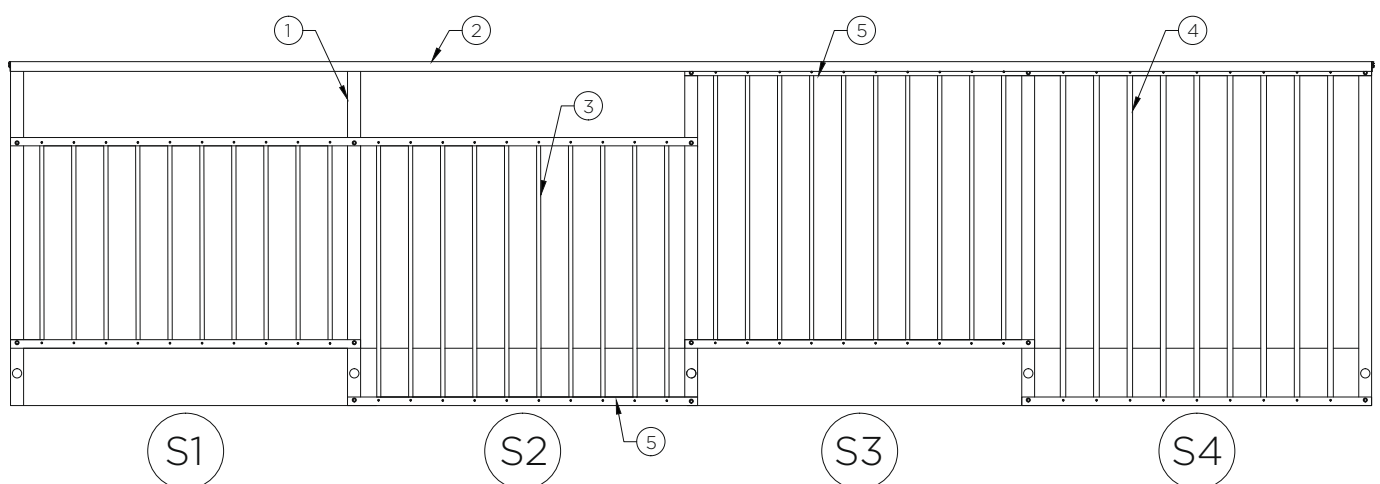
Surface treatment:	Powder coated
Colour chart:	RAL
Design options:	T1 & T3



A-Line Bodo

Nr	Name	Description
1	Column	AL 46x46mm
2	Handrail	AL 82x35mm
3	Picket	AL 15x15mm
4	Picket	AL 20x20mm
5	Horizontal bar	AL L50x30x4mm

Surface treatment:	Powder coated
Colour chart:	RAL
Design options:	S1, S2, S3, S4

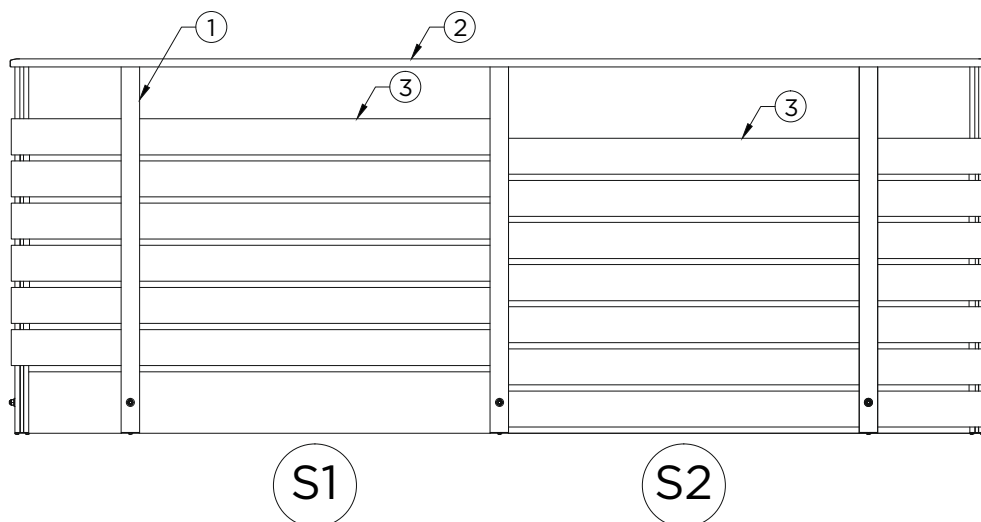


T-Line Trysil - SIDE MOUNTED

Nr	Name	Description
1	Column	AL 45x60mm
2	Handrail	PINE/ASH 70x26mm
3	Filling	PINE/ASH 117x10mm

AL Surface treatment:	Powder coated
Colour chart:	RAL
Filling tone:	RB10, dark gray, gray, flax seed oil
Design options:	S1 & S2

Timber elements are Royal impregnated and thermally treated

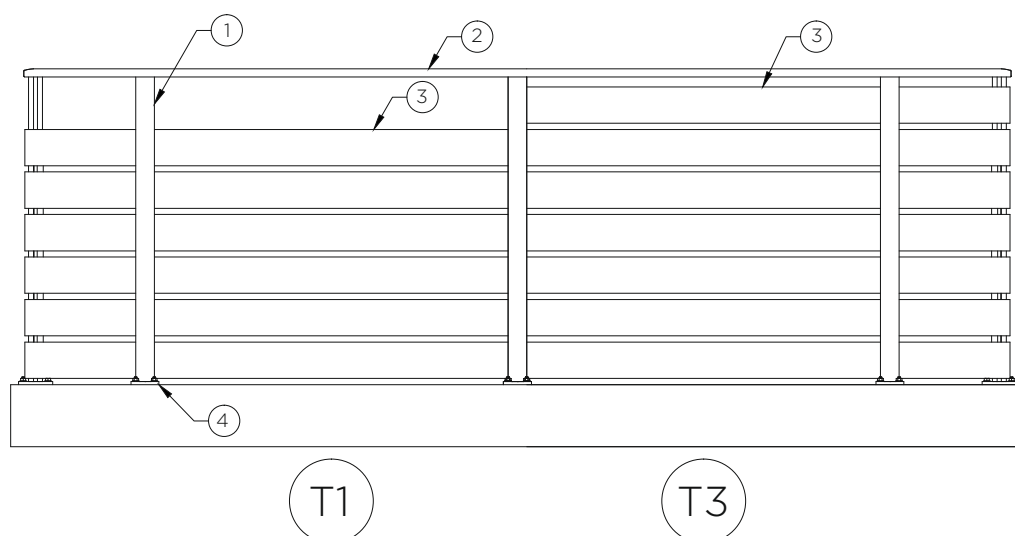
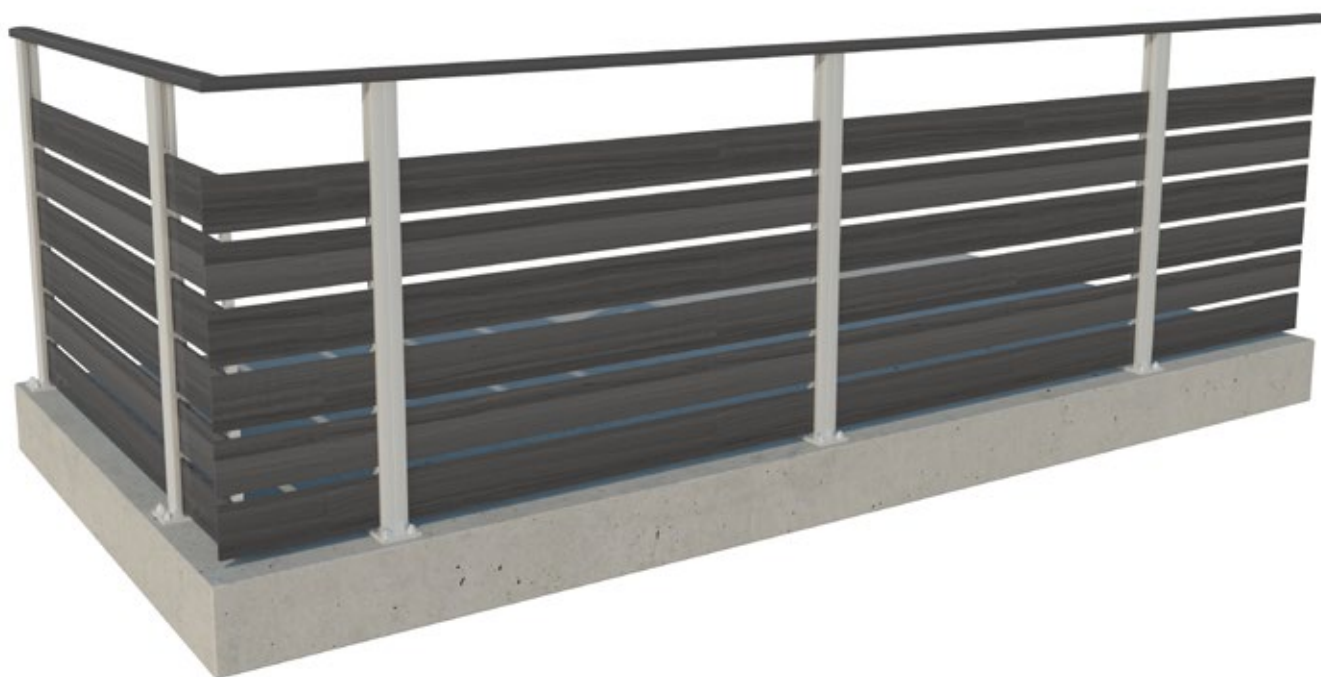


T-Line Trysil - TOP MOUNTED

Nr	Name	Description
1	Column	AL 45x60mm
2	Handrail	PINE/ASH 70x26mm
3	Filling	PINE/ASH 117x10mm
4	Baseplate	AL -90x110x10mm

AL Surface treatment:	Powder coated
Colour chart:	RAL
Filling tone:	RB10, dark gray, gray, flax seed oil
Design options:	T1 & T3

Timber elements are Royal impregnated and thermally treated

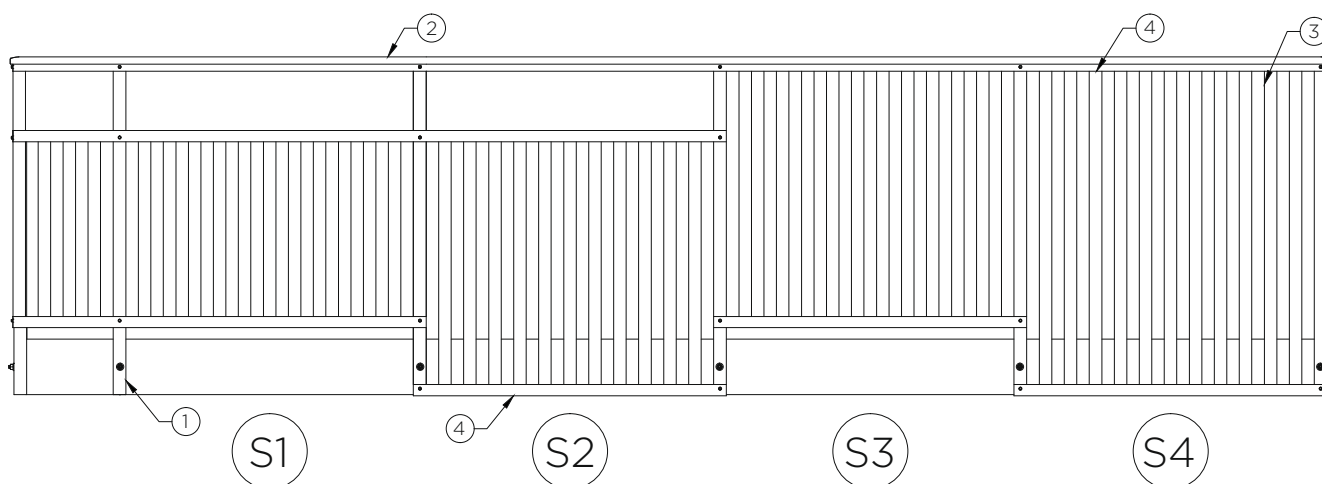


T-Line Lillehammer - SIDE MOUNTED

Nr	Name	Description
1	Column	AL 46x46mm
2	Handrail	PINE/ASH 70x26mm
3	Filling	PINE/ASH 45x26mm
4	Baseplate	AL L40x40x4mm

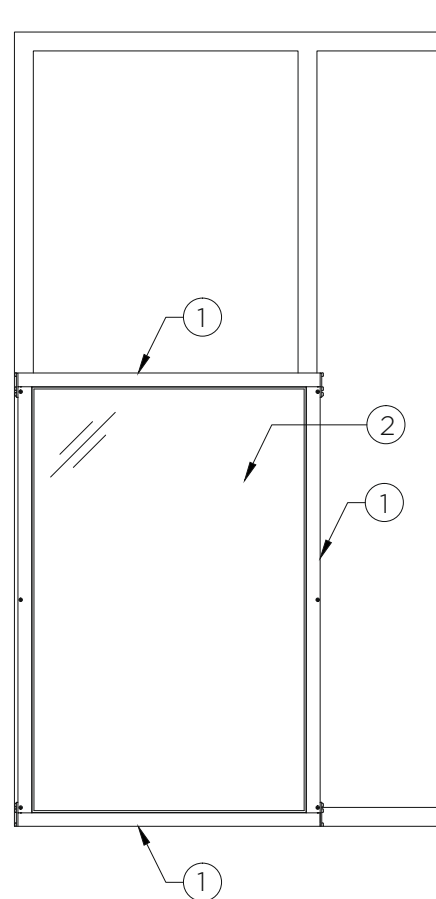
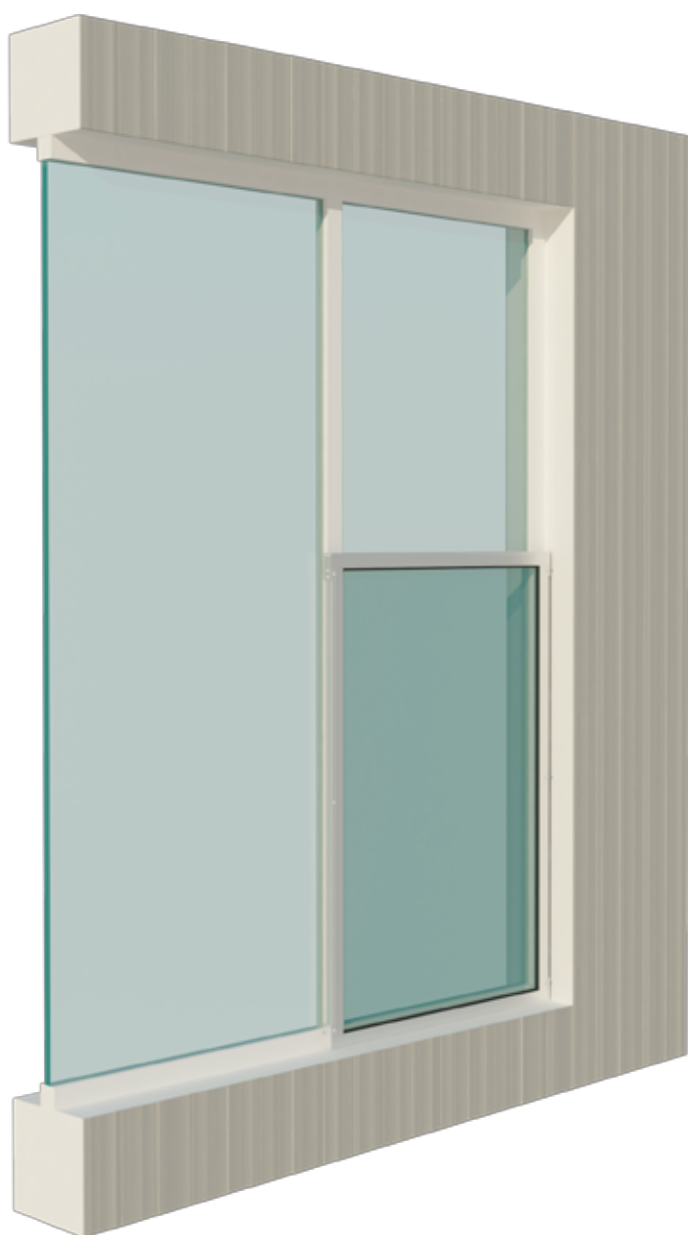
AL Surface treatment:	Powder coated
Colour chart:	RAL
Filling tone:	RB10, dark gray, gray, flax seed oil
Design options:	S1, S2, S3, S4

Timber elements are Royal impregnated and thermally treated



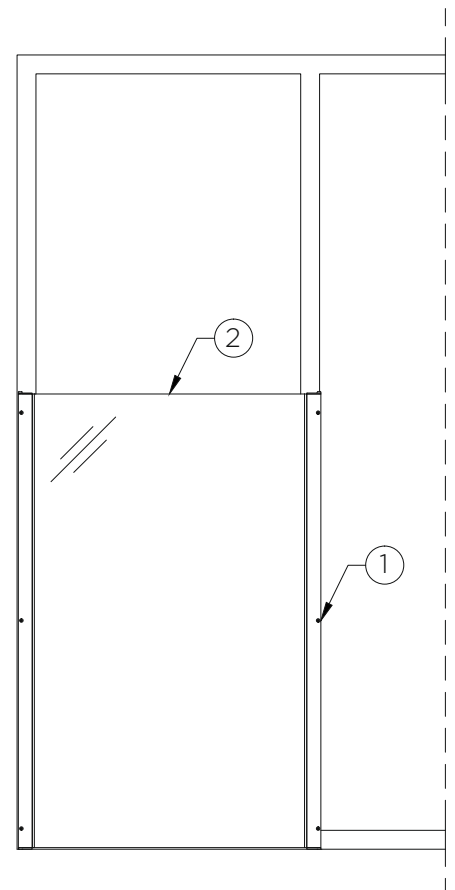
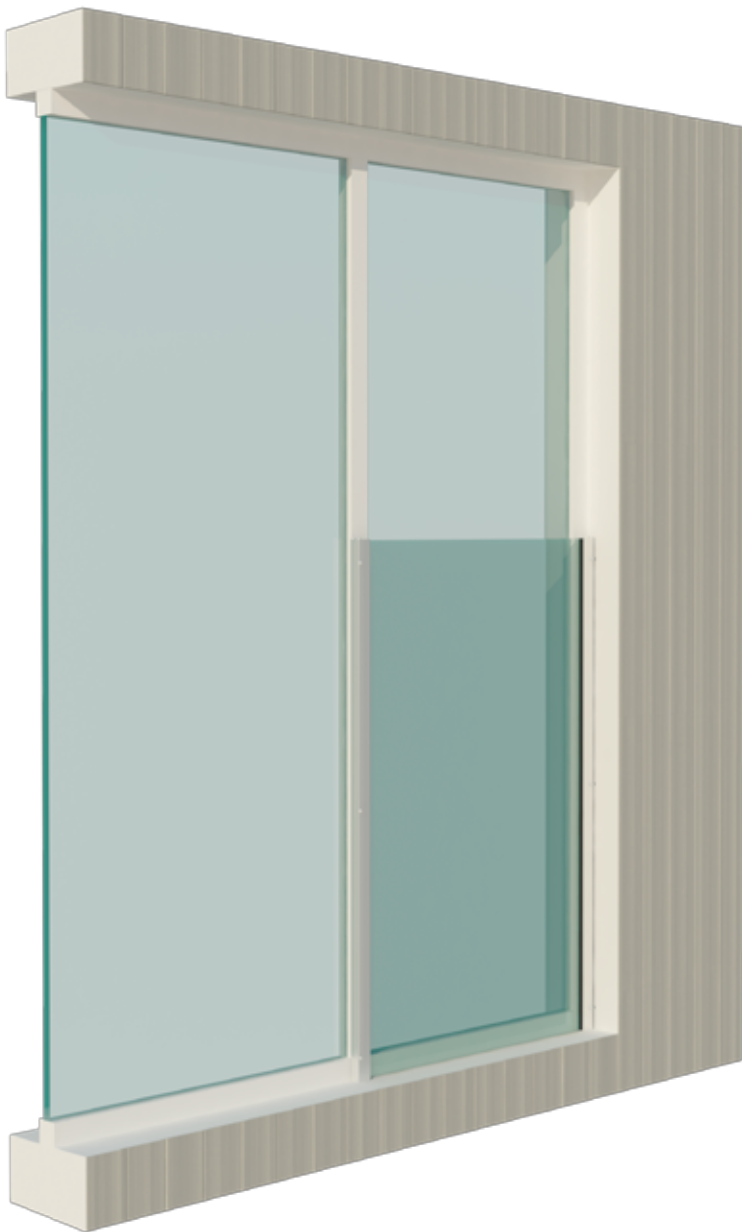
F-Line Gotland

Nr	Name	Description
1	Frame profile	AL 37x25mm
2	Glass	Laminated
Surface treatment:		Powder coated
Colour chart:		RAL
Glass options:		Clear, toned, opal



F-Line Nordkapp

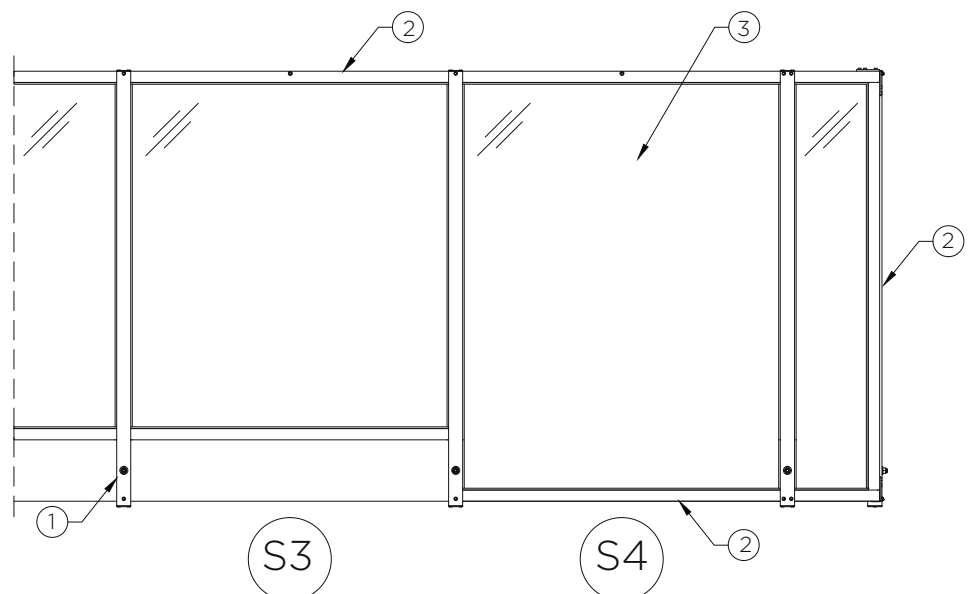
Nr	Name	Description
1	Frame profile	AL 37x25mm
2	Glass	Laminated
Surface treatment:		Powder coated
Colour chart:		RAL
Glass options:		Clear, toned, opal



G-Line Stockholm

Nr	Name	Description
1	Column	AL 46x46mm
2	Glasslath	AL 37x25mm
3	Glass	Laminated

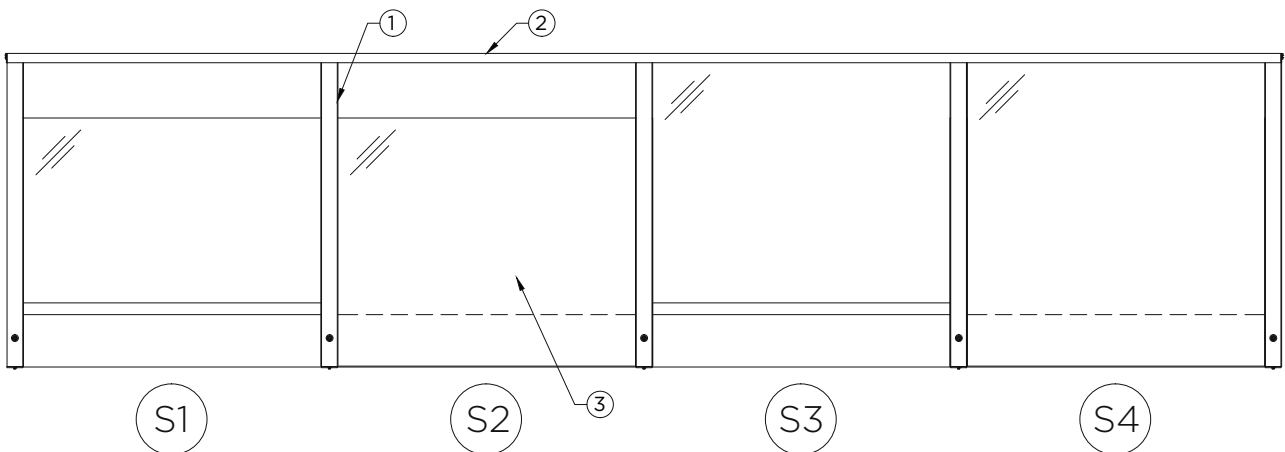
Surface treatment:	Powder coated
Colour chart:	RAL
Glass options:	Clear, toned, opal
Design options:	S3 & S4



G-Line Bergen - SIDE MOUNTED

Nr	Name	Description
1	Column	AL 45x60mm
2	Handrail	AL 82x35mm
3	Glass	Laminated

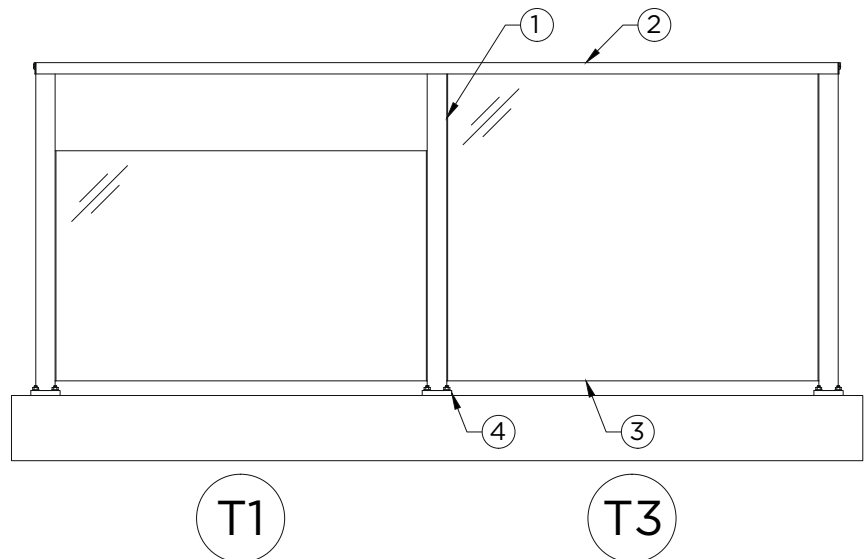
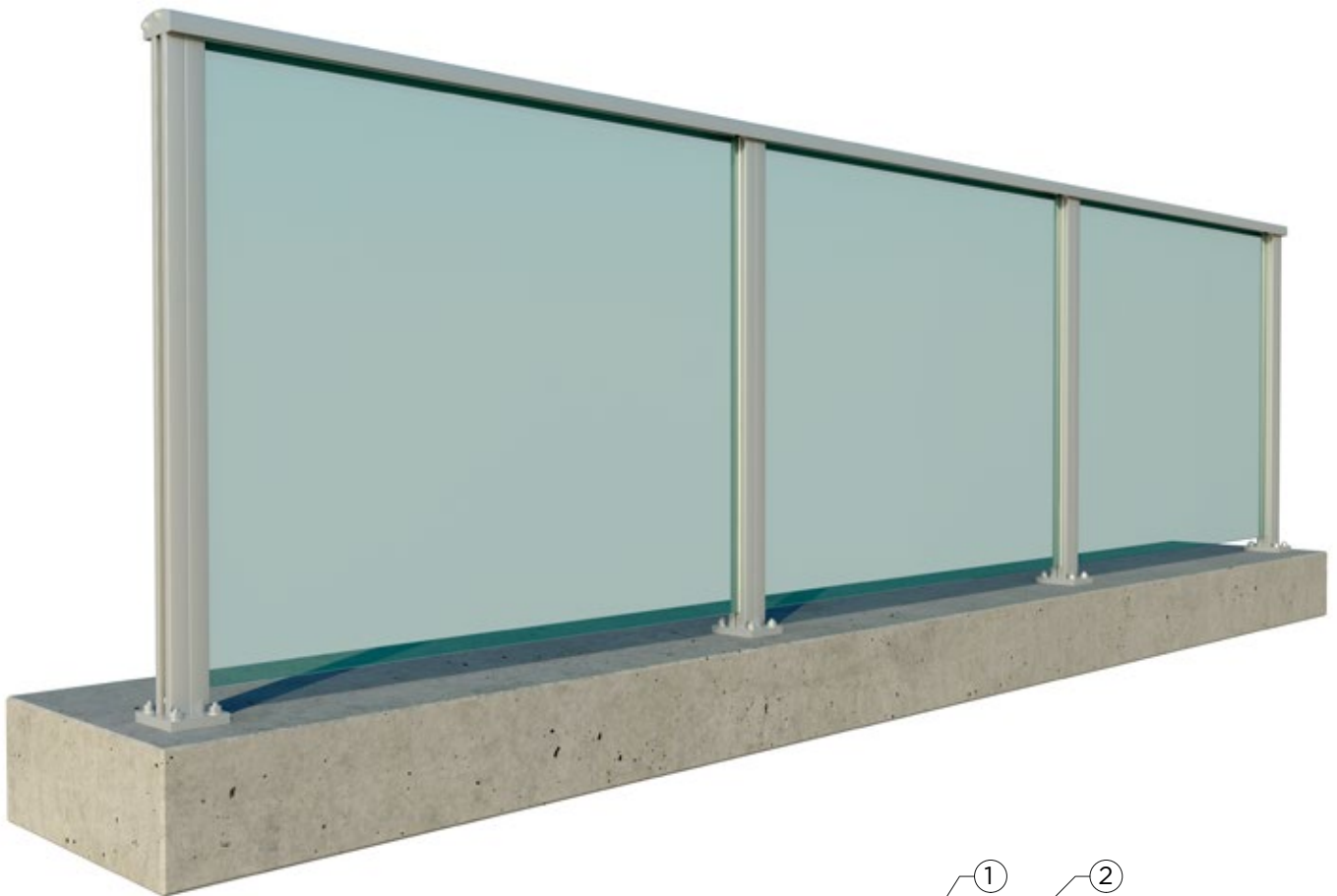
Surface treatment:	Powder coated
Colour chart:	RAL
Glass options:	Clear, toned, opal
Design options:	S1, S2, S3, S4



G-Line Bergen - TOP MOUNTED

Nr	Name	Description
1	Column	AL 45x60mm
2	Handrail	AL 82x35mm
3	Glass	Laminated
4	Baseplate	AL -90x110x10mm

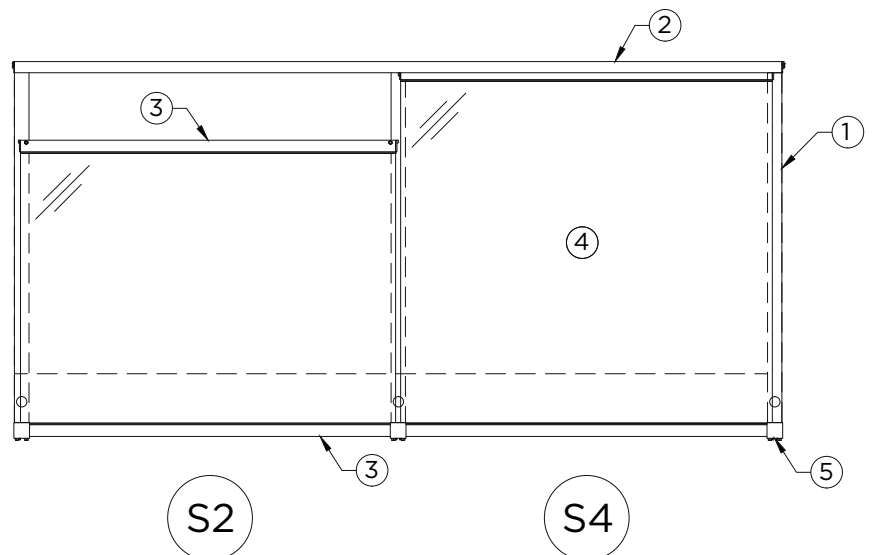
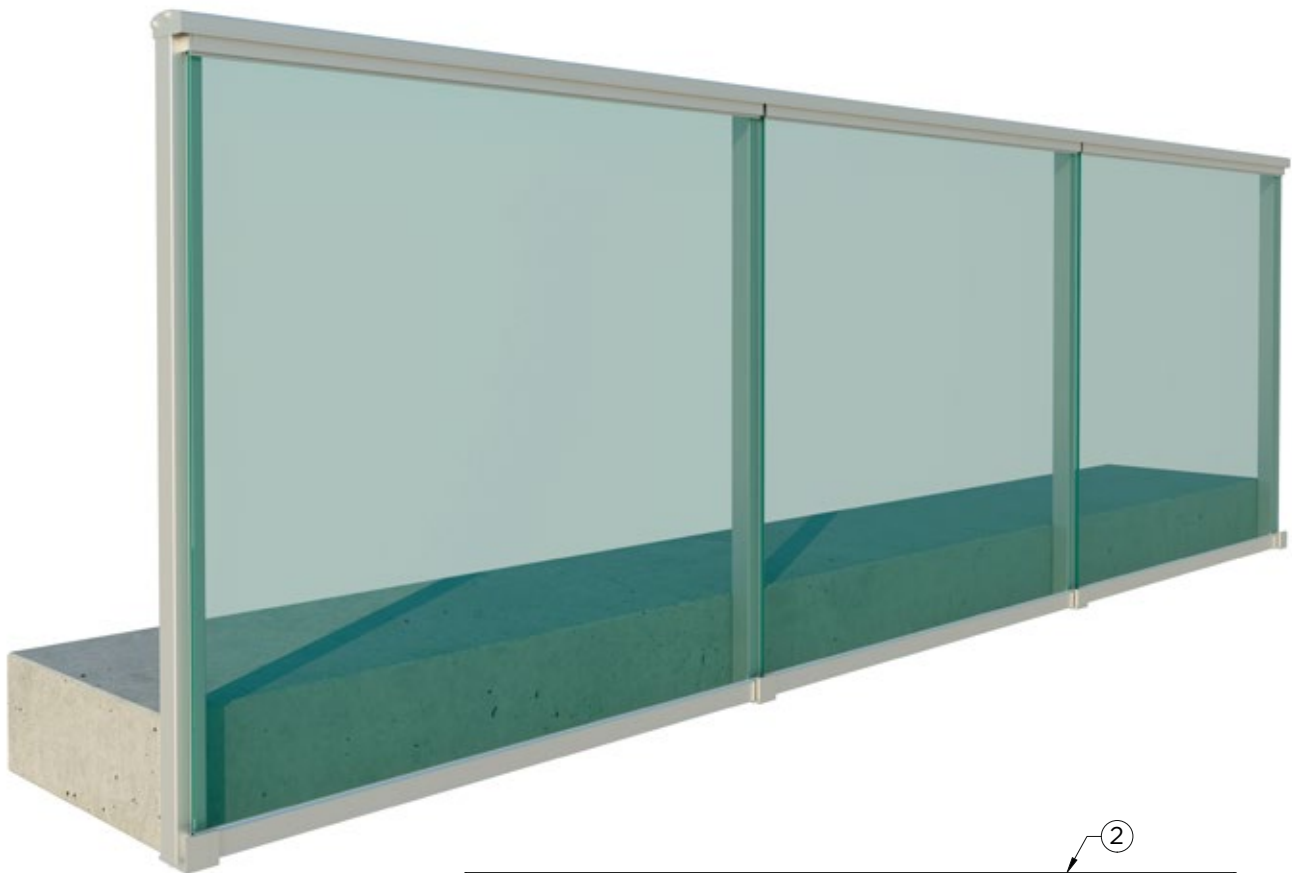
Surface treatment:	Powder coated
Colour chart:	RAL
Glass options:	Clear, toned, opal
Design options:	T1 & T3



G-Line Oslo

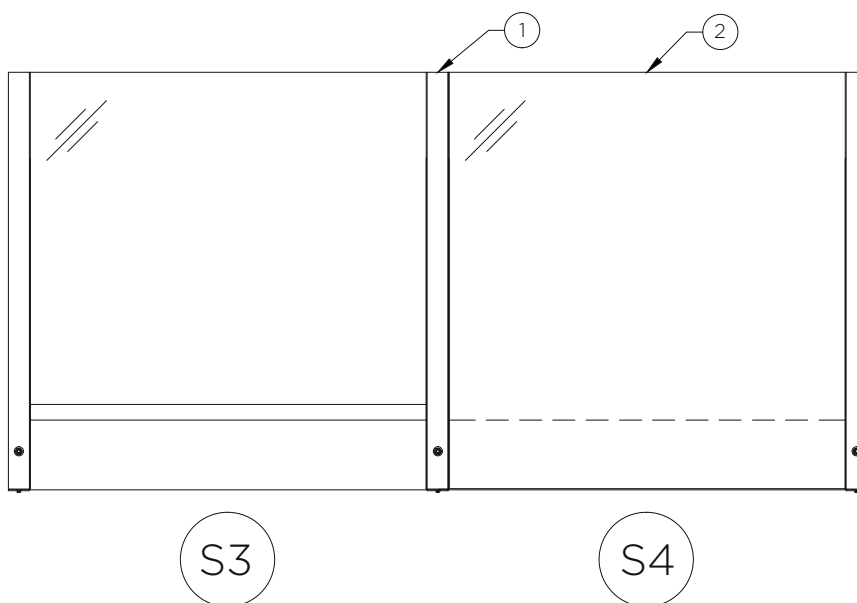
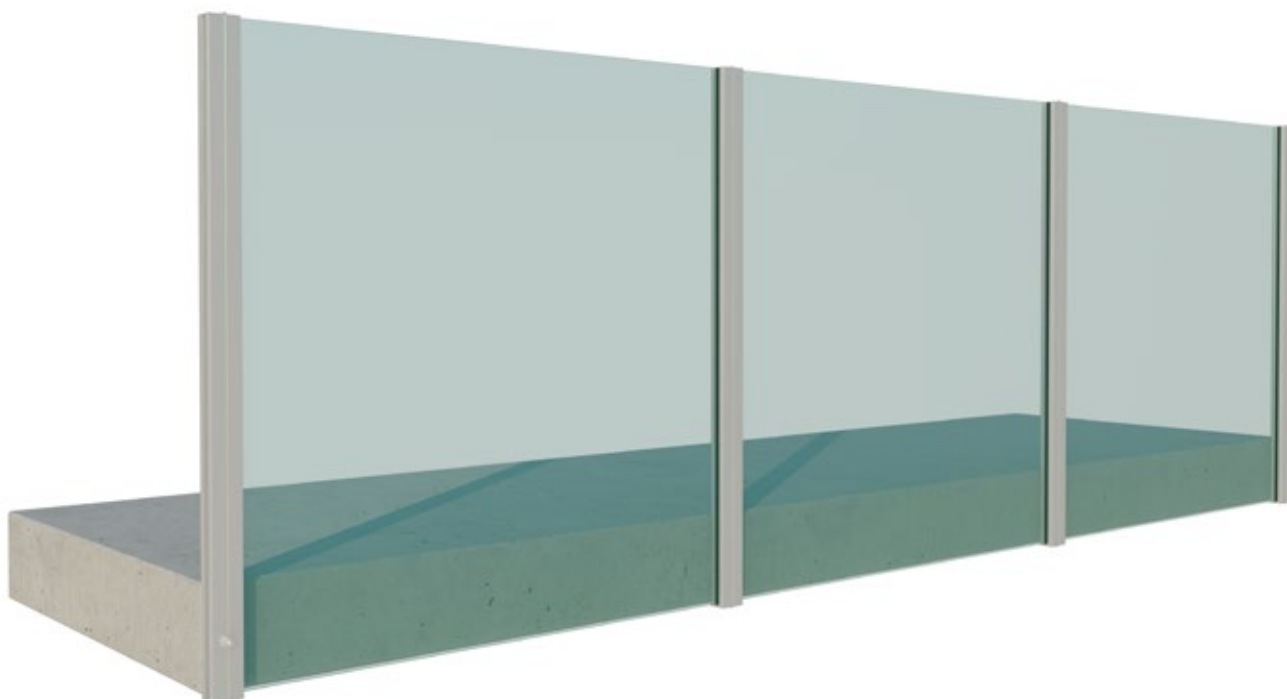
Nr	Name	Description
1	Column	AL 46x46mm
2	Handrail	AL 82x35mm
3	Glasslath	AL 37x25mm
4	Glass	Laminated
5	Fixing angle	AL L80x50x6mm

Surface treatment:	Powder coated
Colour chart:	RAL
Glass options:	Clear, toned, opal
Design options:	S2 & S4



G-Line Holmenkollen - SIDE MOUNTED

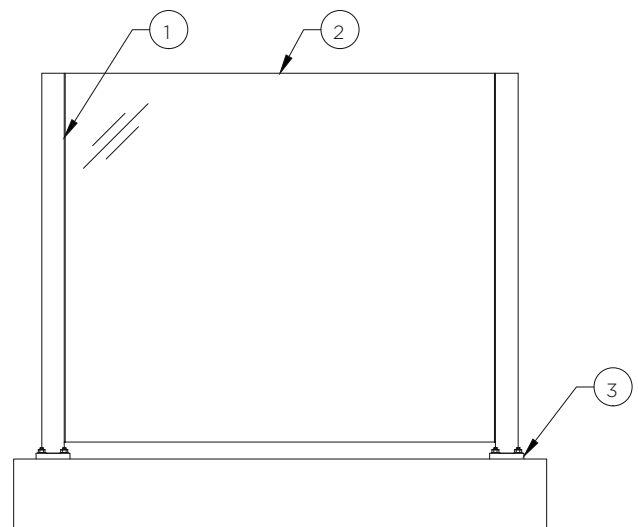
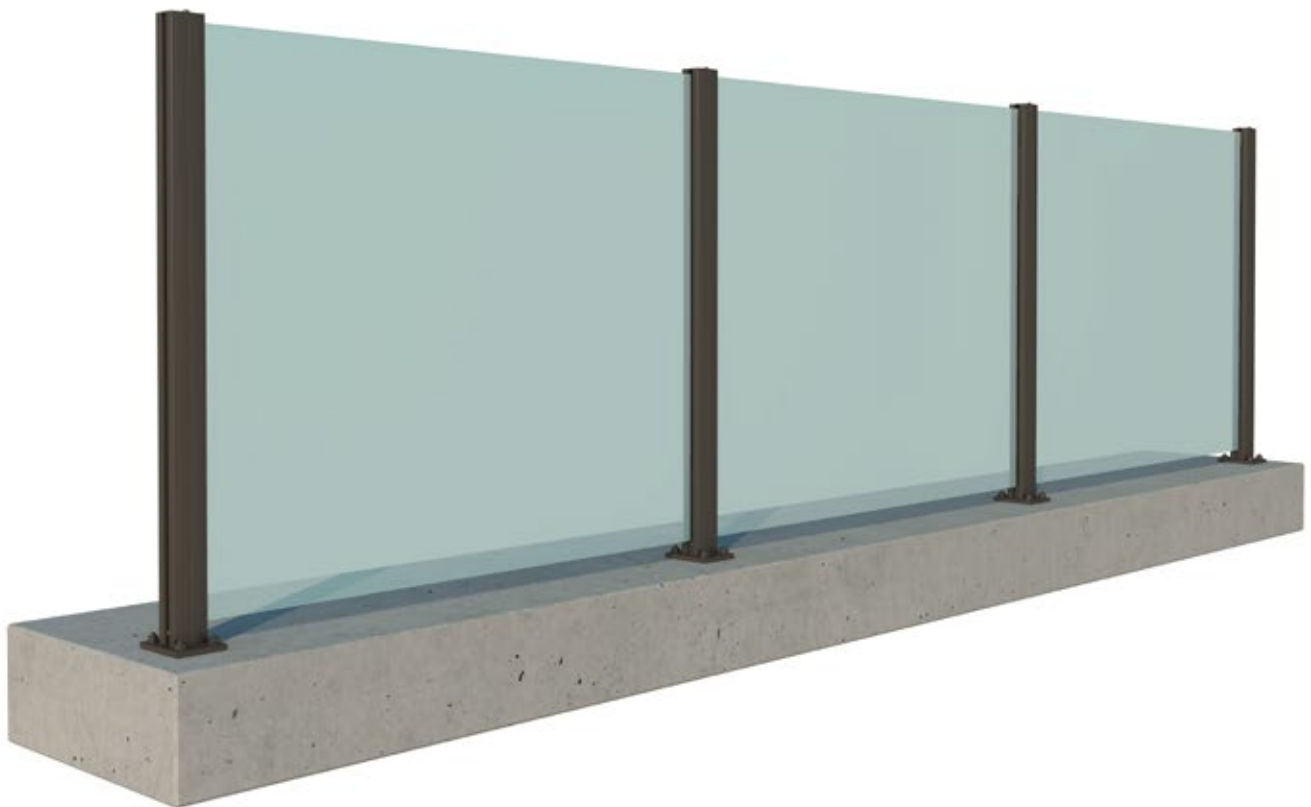
Nr	Name	Description
1	Column	AL 45x60mm
2	Glass	Laminated
Surface treatment:		Powder coated
Colour chart:		RAL
Glass options:		Clear, toned, opal
Design options:		S3 & S4



G-Line Holmenkollen - TOP MOUNTED

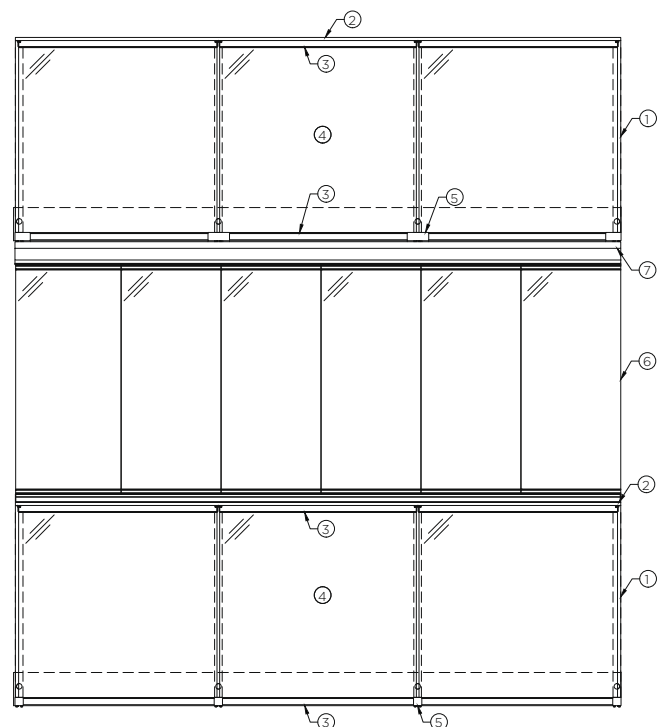
Nr	Name	Description
1	Column	AL 45x60mm
2	Glass	Laminated
3	Baseplate	AL -90x110x10mm

Surface treatment:	Powder coated
Colour chart:	RAL
Glass options:	Clear, toned, opal



Nr	Name	Description
1	Column	AL 46x46mm
2	Handrail	AL 100x19mm
3	Glasslath	AL 37x25mm
4	Glass	Laminated
5	Fixing angle	AL L80x50x6mm
6	Glazing system	AL+GLASS 44x50mm
7	Horizontal bar	AL 80x40mm

Surface treatment:	Powder coated
Colour chart:	RAL
Glass options:	Clear, toned, opal



For us it is important to offer professional, personal and quality service.
We can find the solution even to the most complicated situations.

Contact us:

Tõnis Kaukvere

Sales Manager

mobile: +372 555 78 293

e-mail: tonis.kaukvere@innore.eu

Innore OÜ

www.innore.eu

Innore OÜ is licensed by the Register of Economic Activities:

Project design: EEP003947

Construction: EEH009478

INNOR 