

BALTECO

MODULAR FRAME

I Modul/Forma



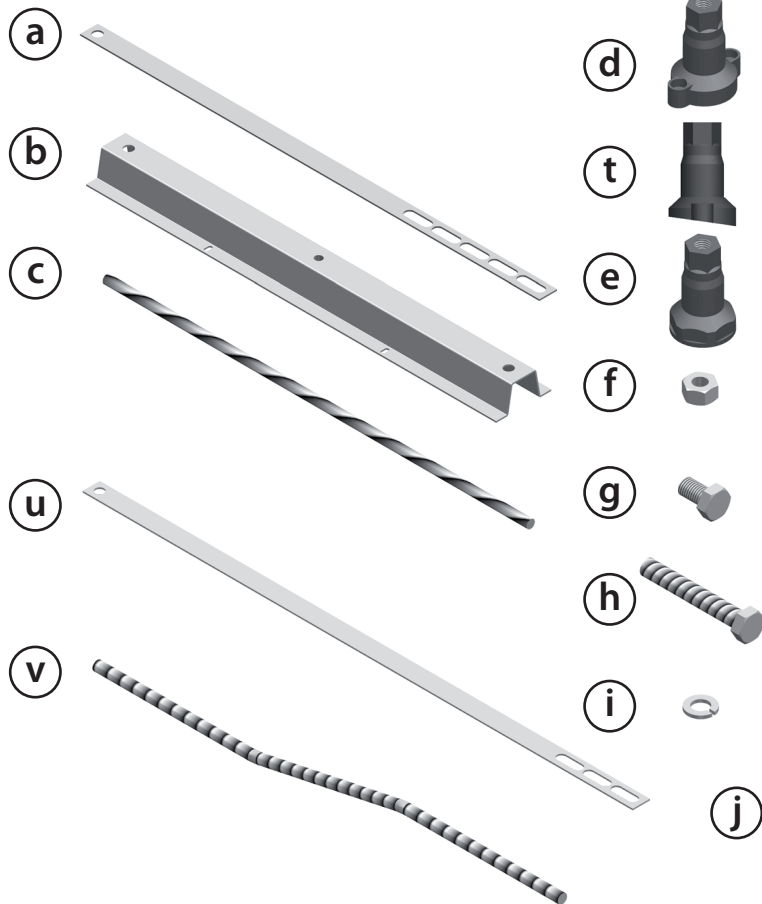
II Rhea



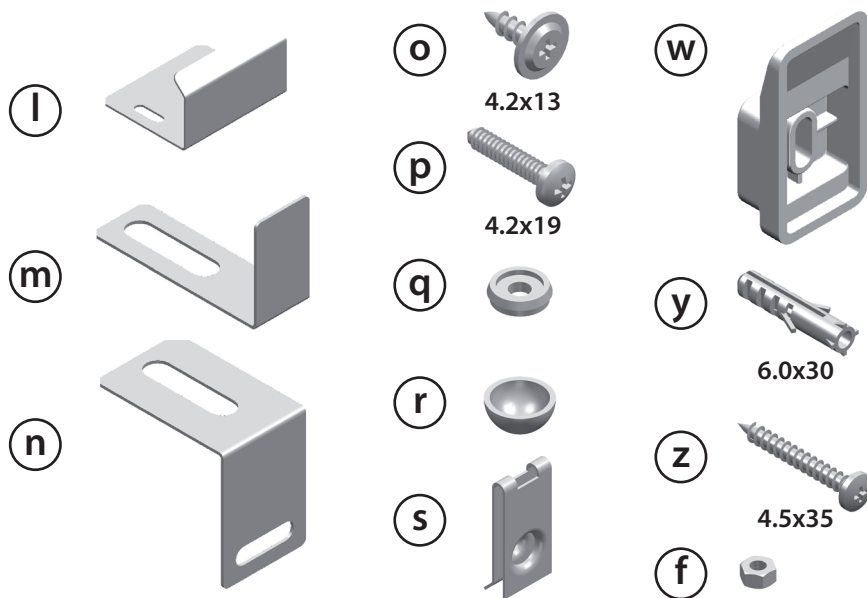
III Linea



IV Cali

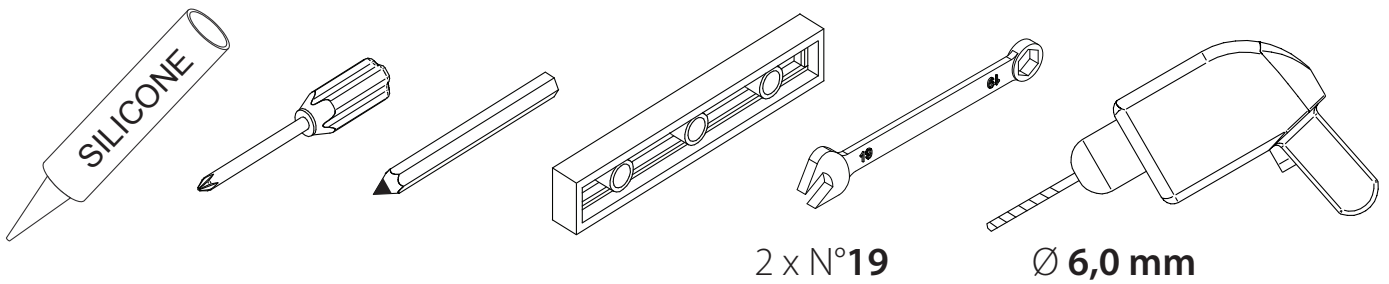


Bath	Forma 17	Modul 15,16,17,18	Rhea 15,16	Rhea 17	Linea 14	Linea 15	Cali
a	1	3	4	3	4	3	2
b	2	2	2	2	2	2	2
c	3	3	3	3	1	1	2
d	3	3	4	4	—	—	4
e	7	7	8	8	8	8	8
f	20	20	26	26	25	25	24
g	2	2	1	1	1	2	2
h	4	4	4	4	4	4	4
i	4	4	4	4	4	4	4
j	2	2	1	1	1	2	2
k	6	6	8	8	8	8	8
t	—	—	—	—	4	4	—
u	2	—	—	1	—	1	2
v	—	—	1	1	3	3	2
x	8	8	8	8	8	8	8

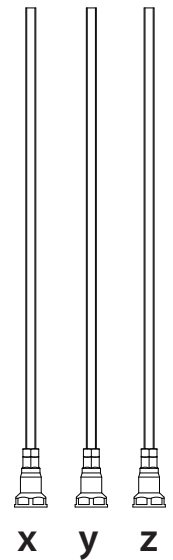
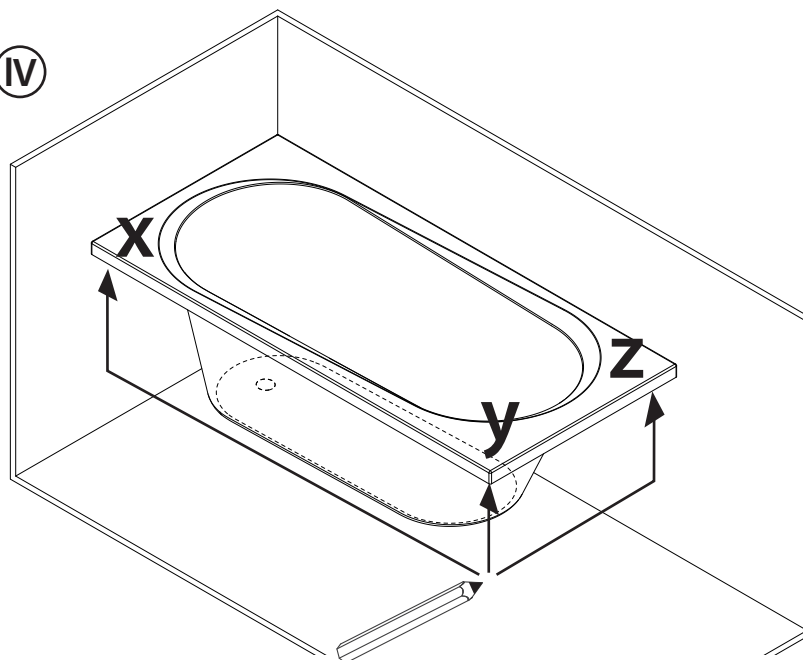


Bath	Forma 17	Modul 15,16,17,18	Rhea 15,16,17	Linea 14,15	Cali
f	3	3	3	3	3
l	1	1	3	3	2
m	3	3	2	2	2
n	3	3	3	3	3
o	2	2	4	6	4
p	3	3	3	3	3
q	3	3	3	3	3
r	3	3	3	3	3
s	3	3	3	3	3
w	2	2	2	2	2
y	2	2	2	2	2
z	2	2	2	2	2

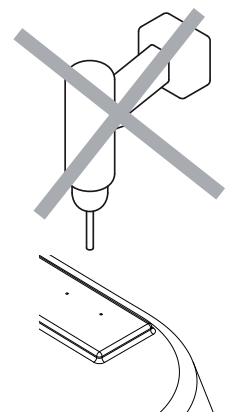
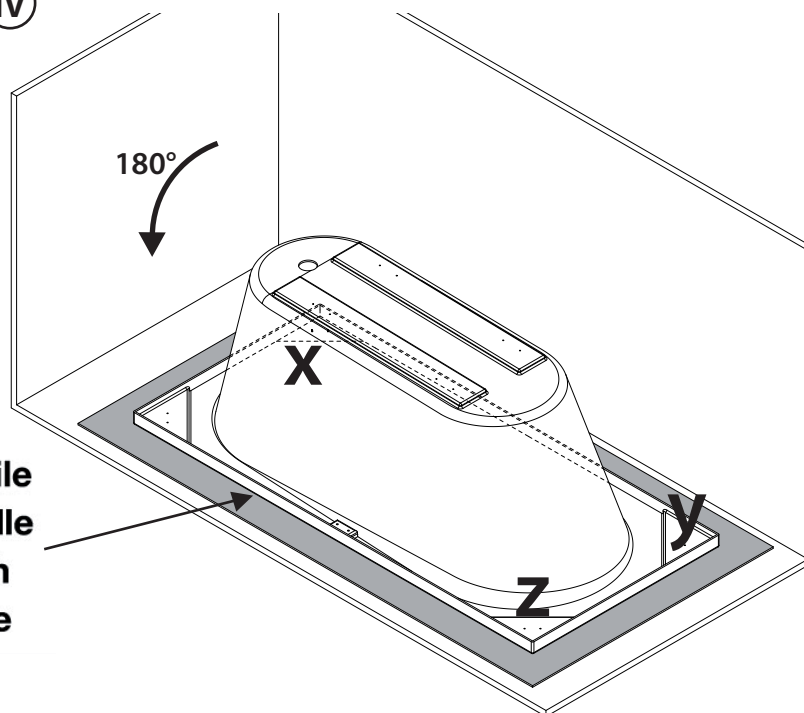
Modular Frame



1 I II III IV



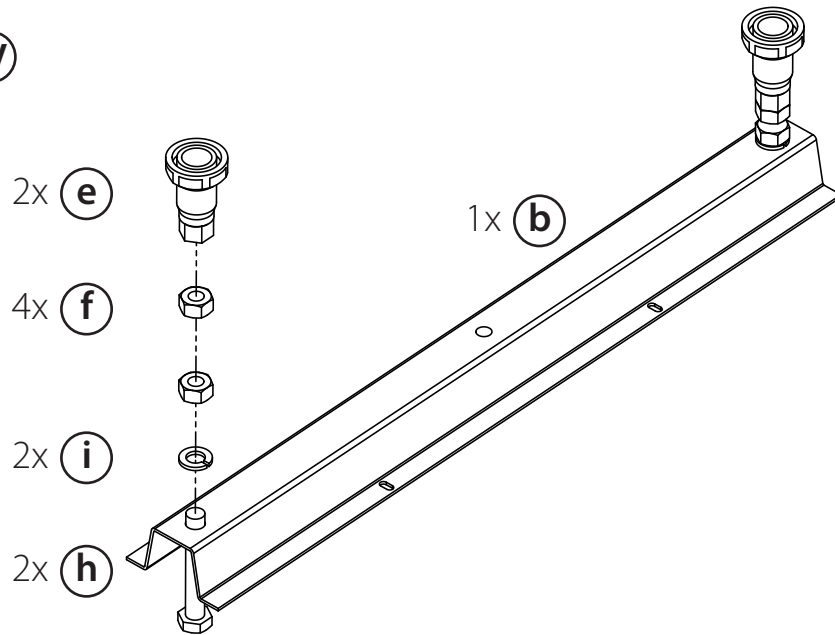
2 I II III IV



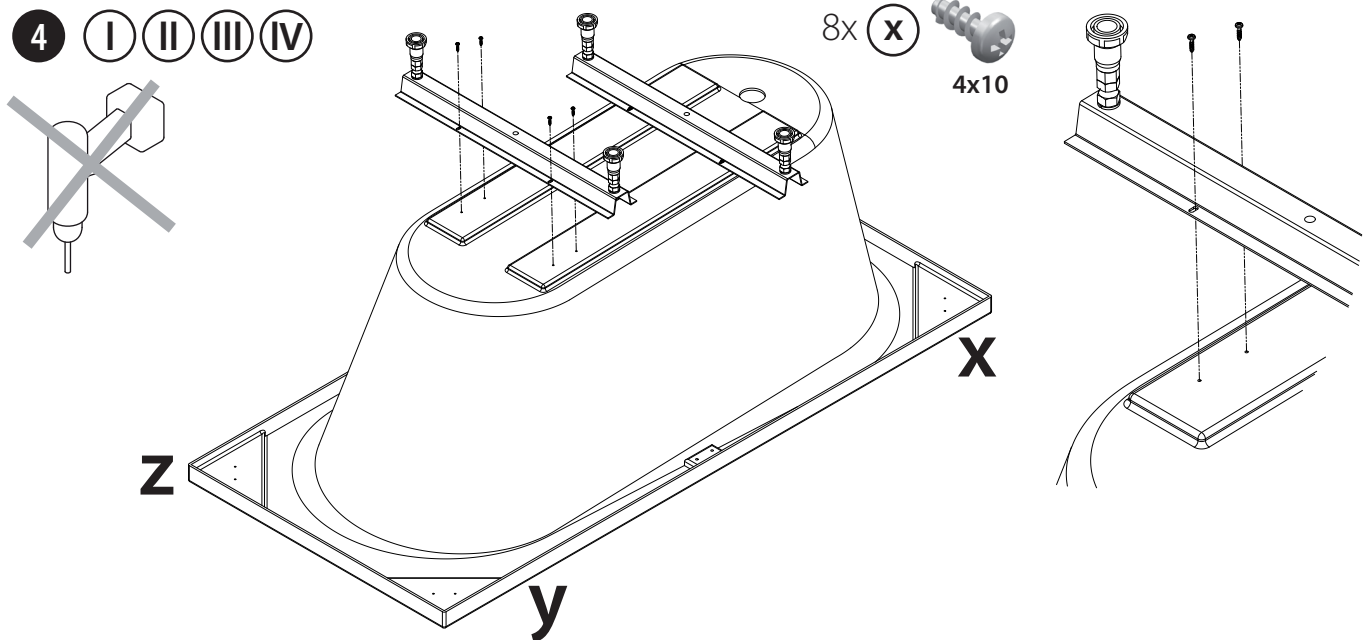
Modular Frame

20100316_modular

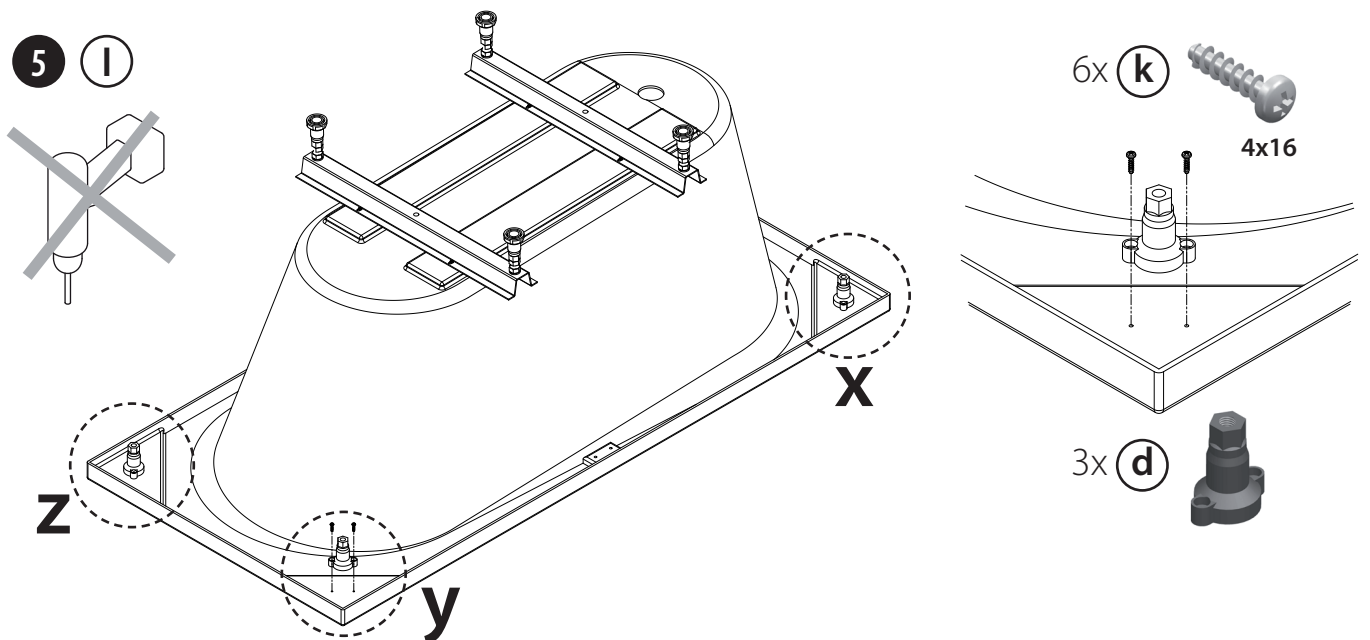
3 x2 I II III IV



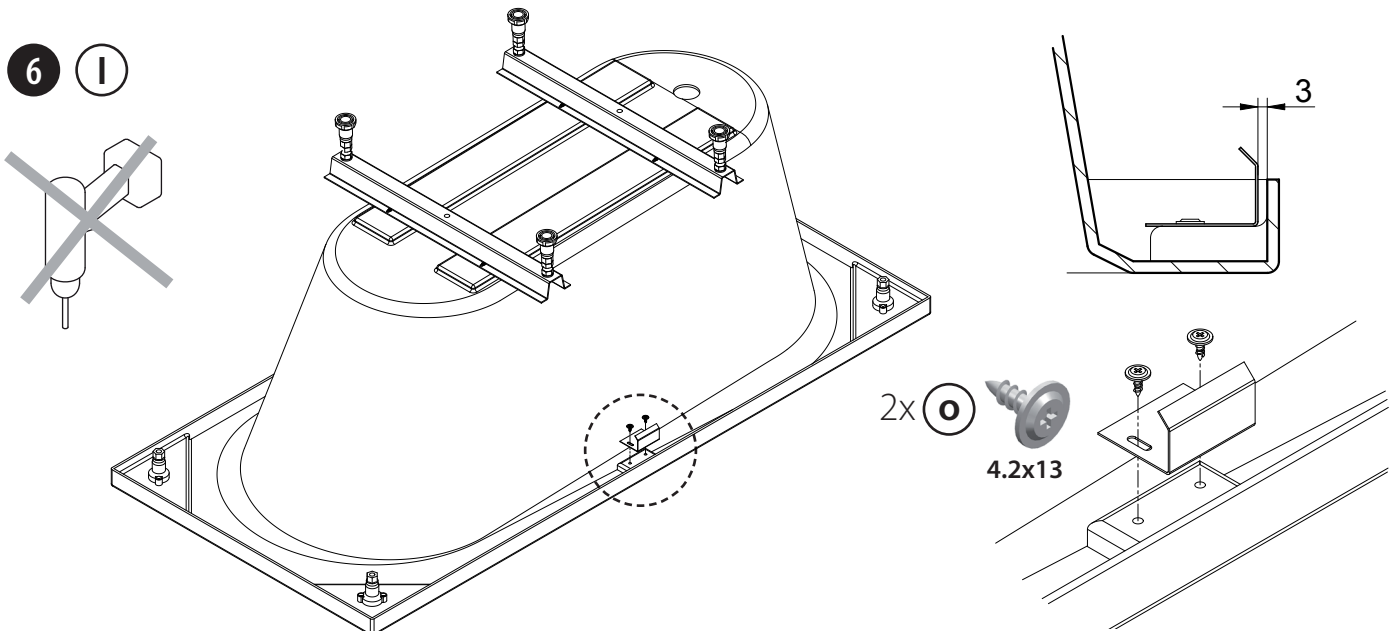
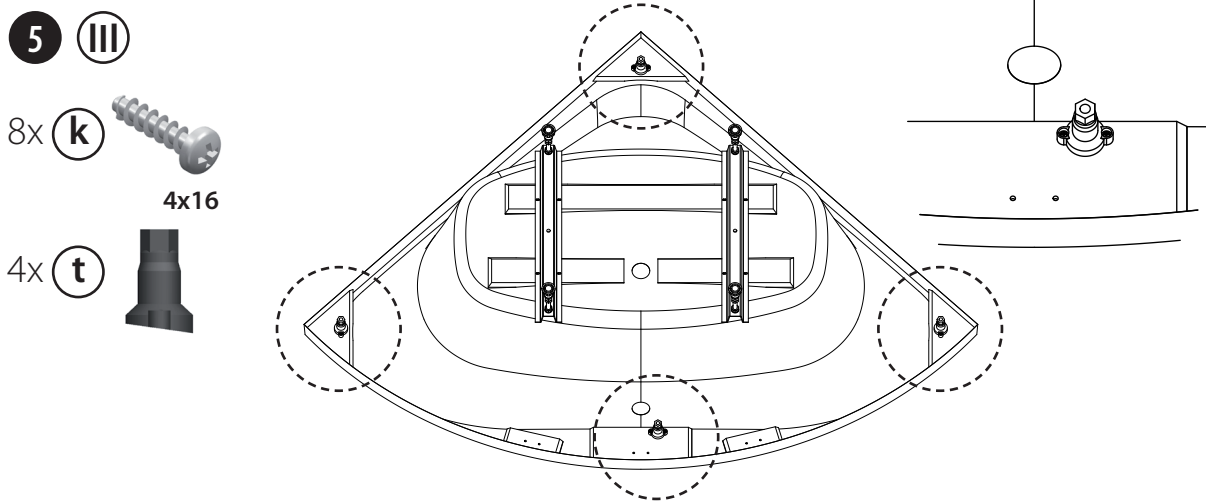
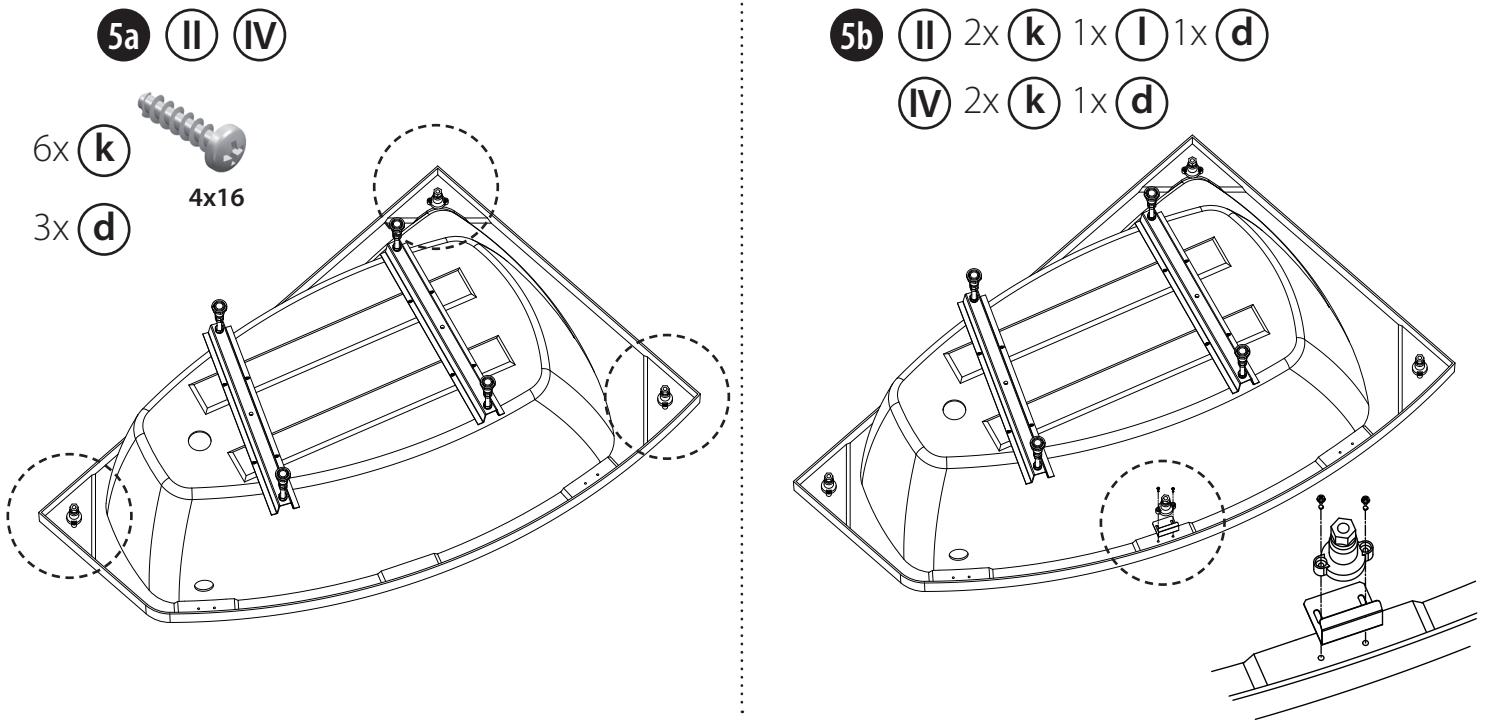
4 I II III IV



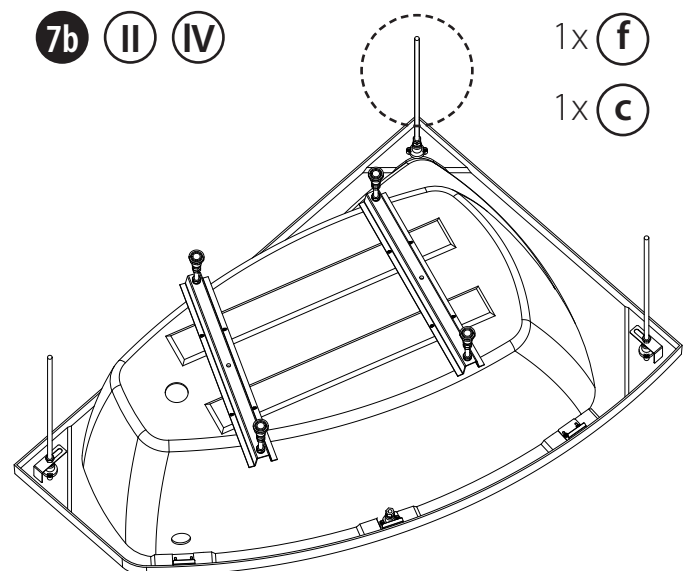
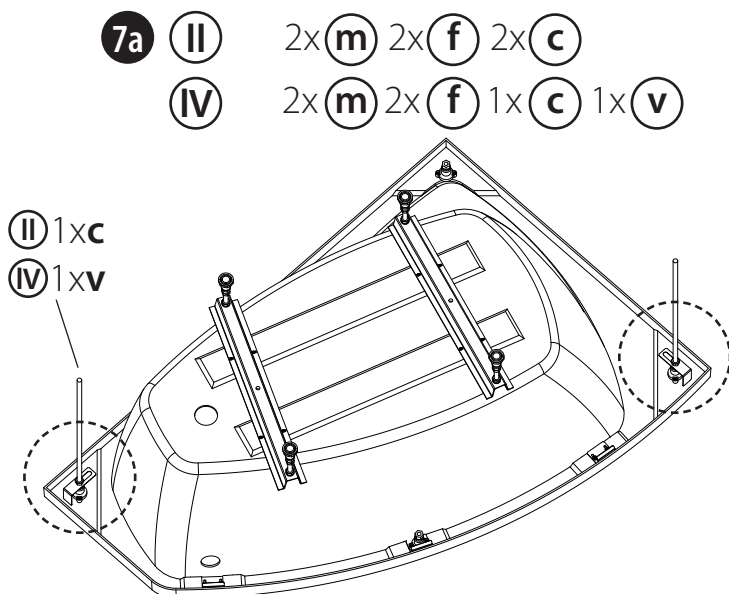
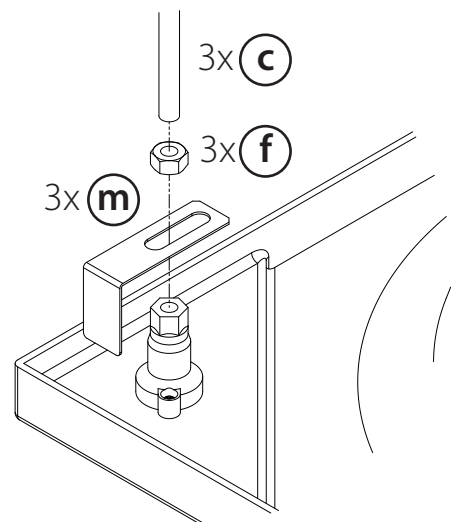
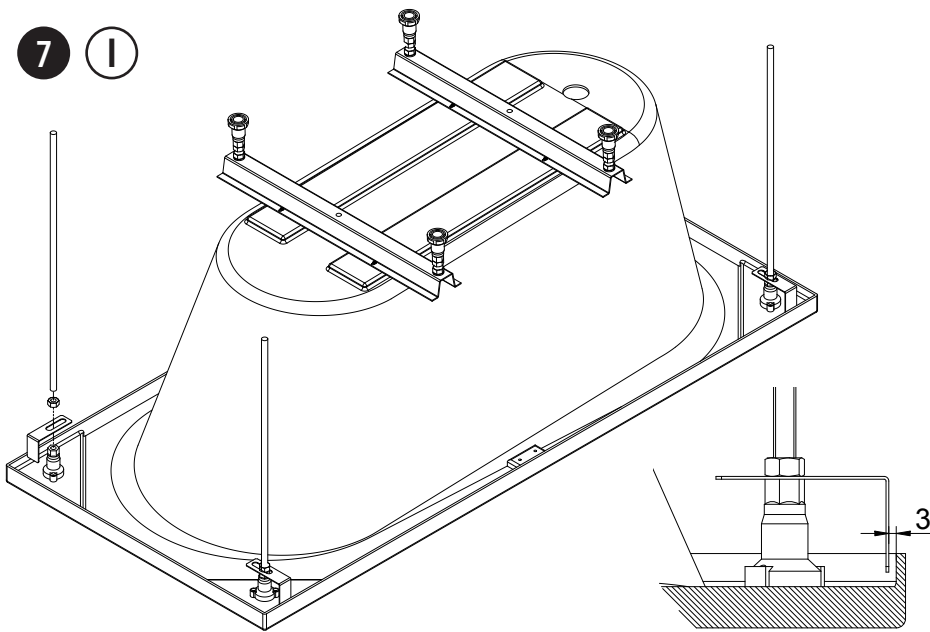
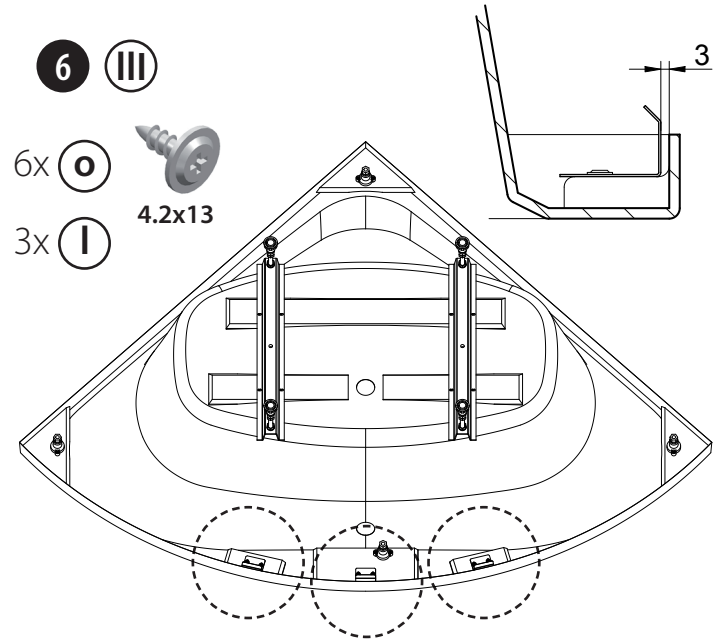
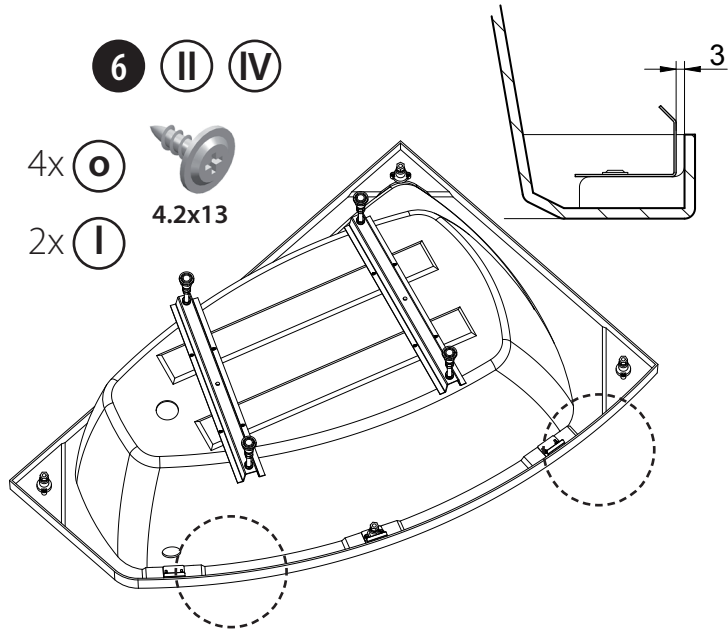
5 I



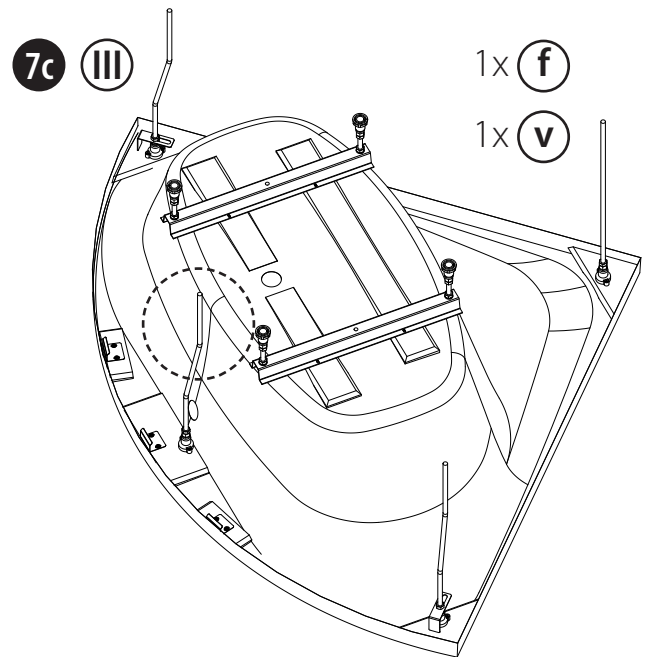
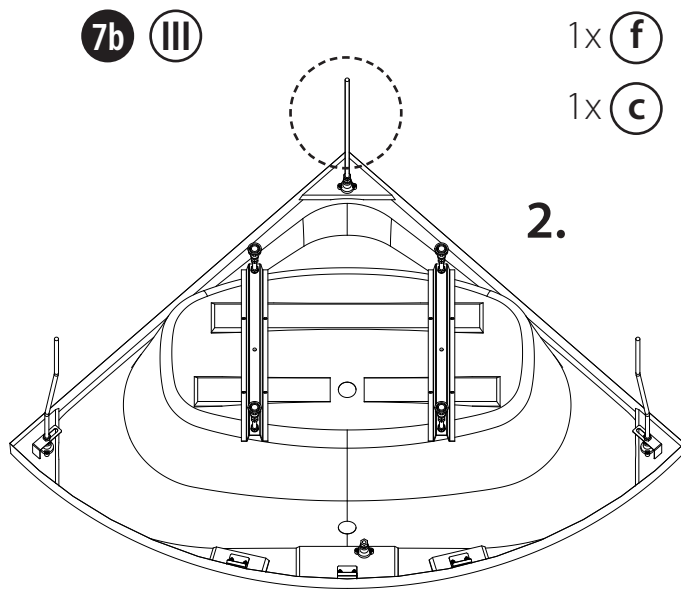
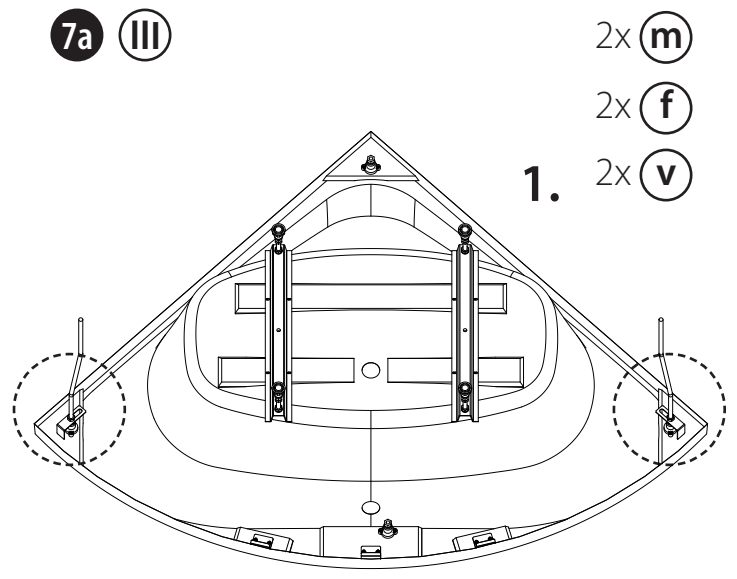
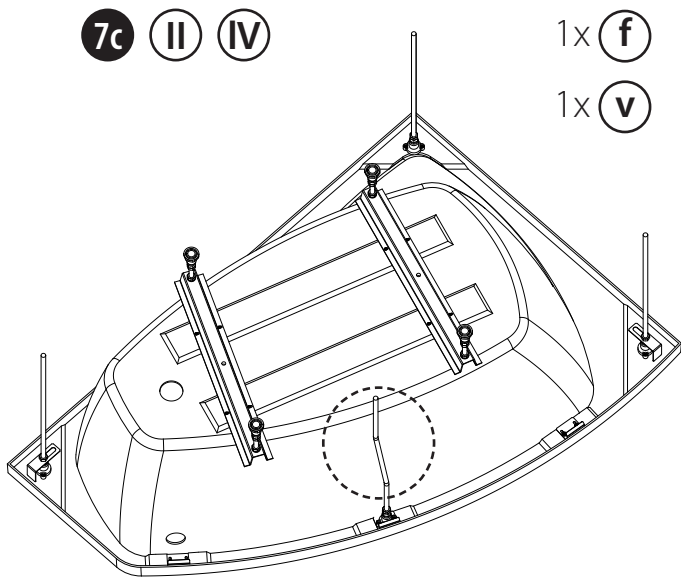
Modular Frame



Modular Frame

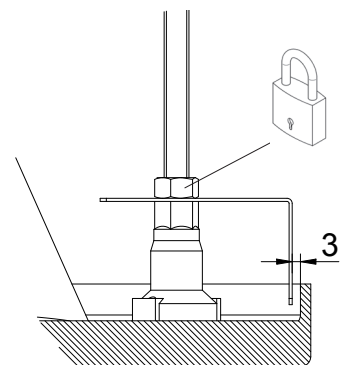
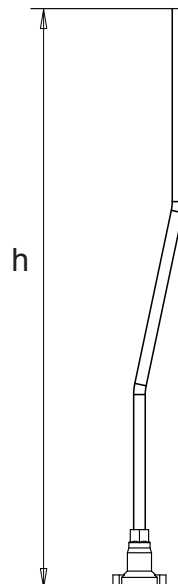
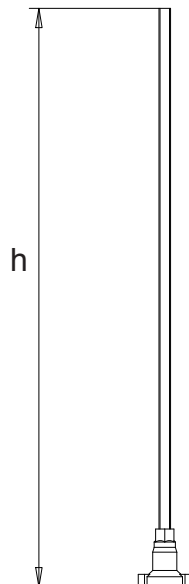


Modular Frame



8 I II III IV

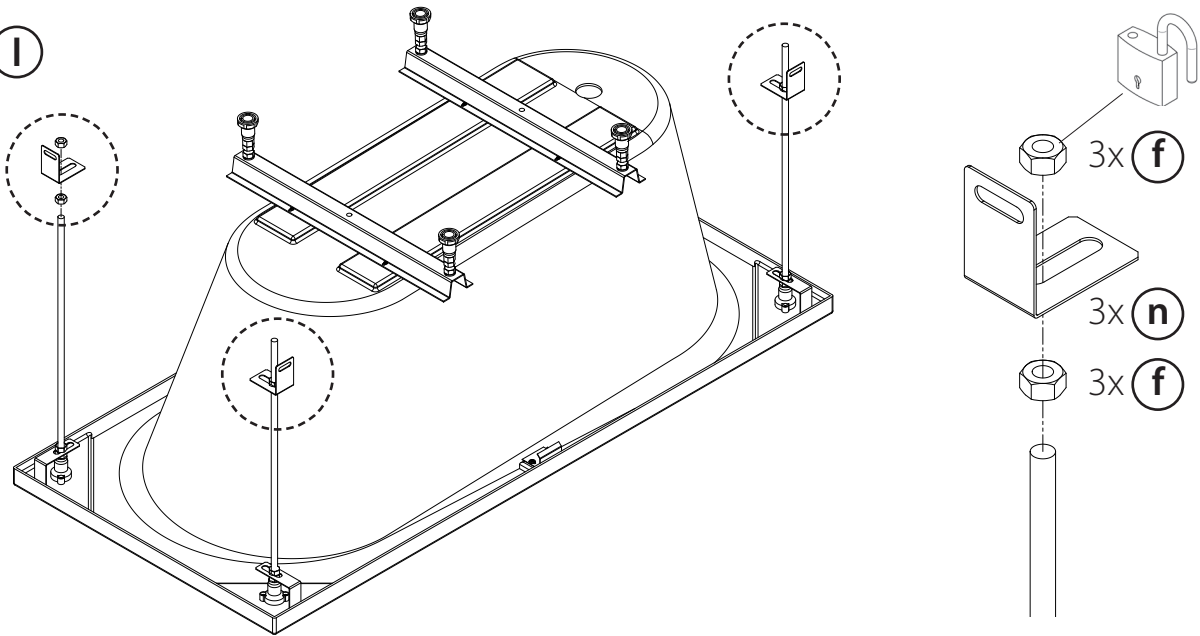
Bath	h (cm)
Forma 17	~ 63
Modul 15	~ 60
Modul 16	~ 60
Modul 17	~ 63
Modul 18	~ 62
Rhea 15	~ 60
Rhea 16	~ 60
Rhea 17	~ 63
Linea 14	~ 63
Linea 15	~ 63
Cali	~ 62



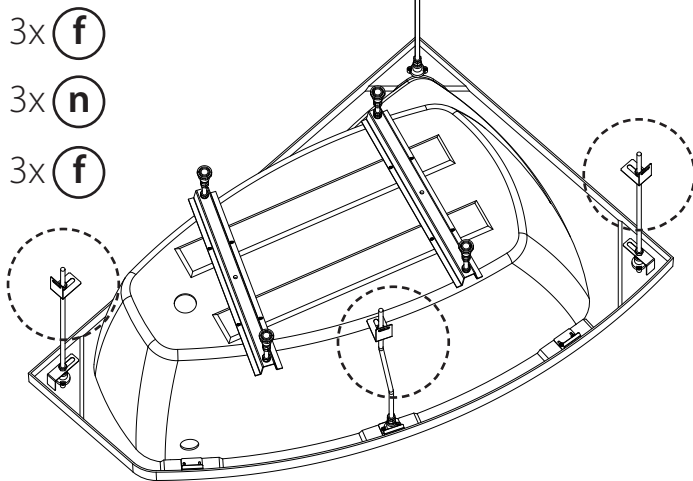
Modular Frame

20100316_modular

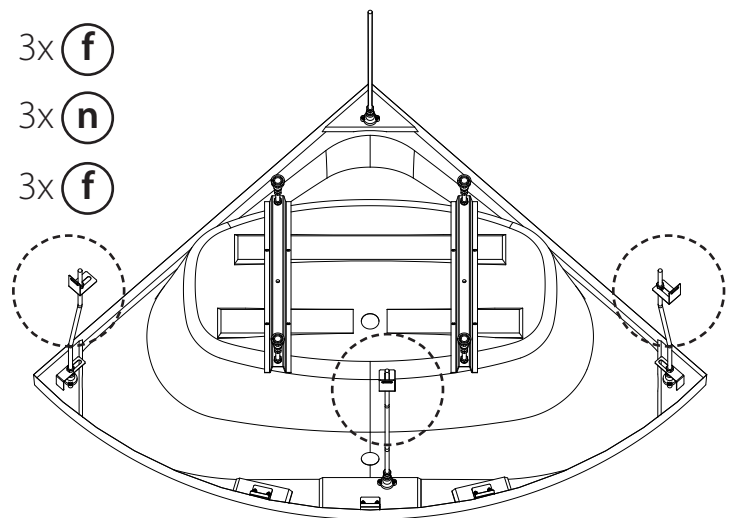
9 I



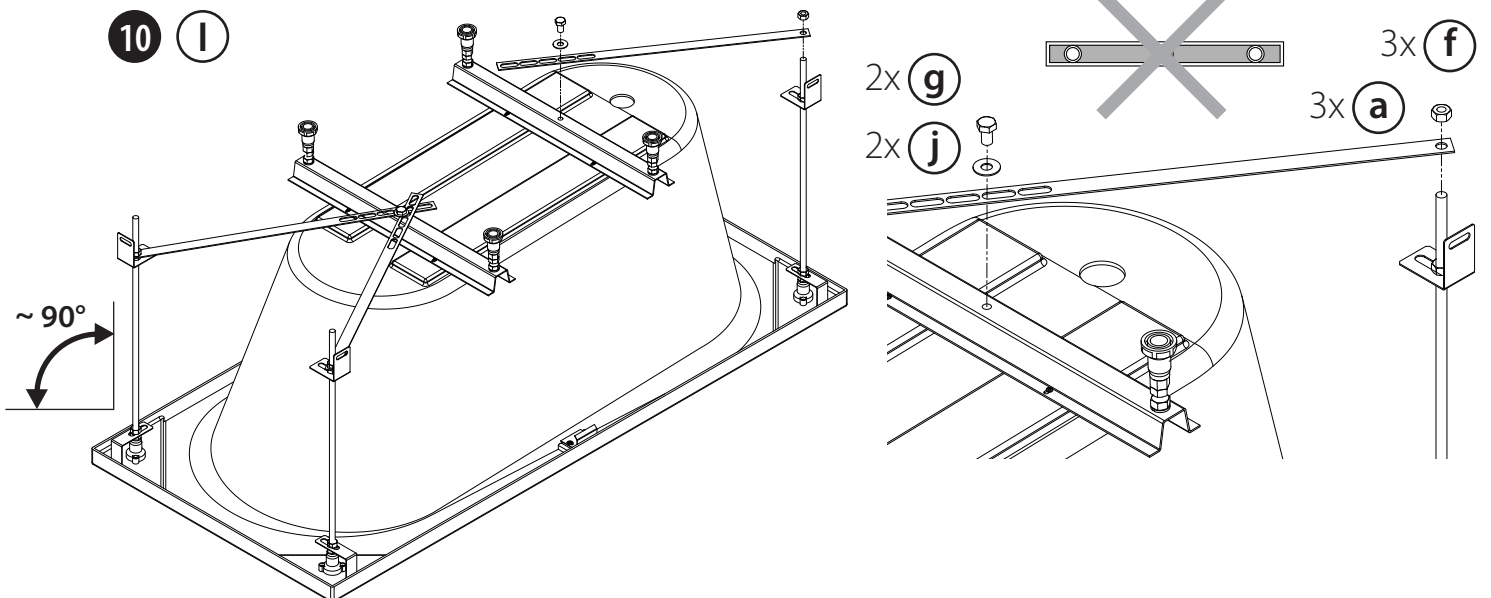
9 II IV



9 III



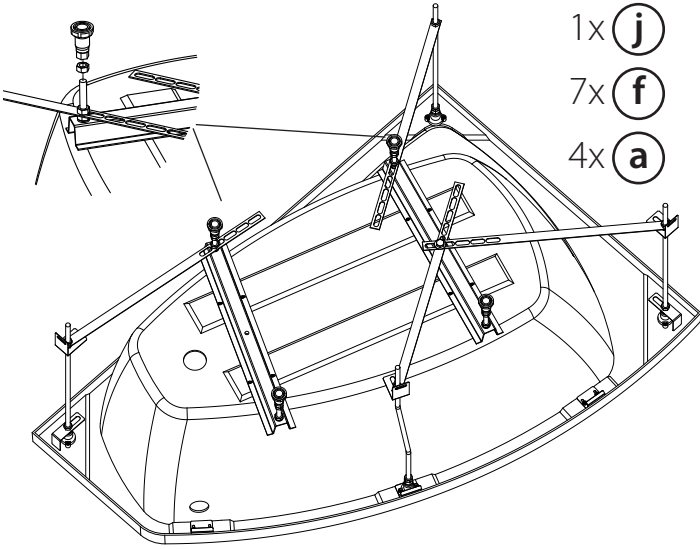
10 I



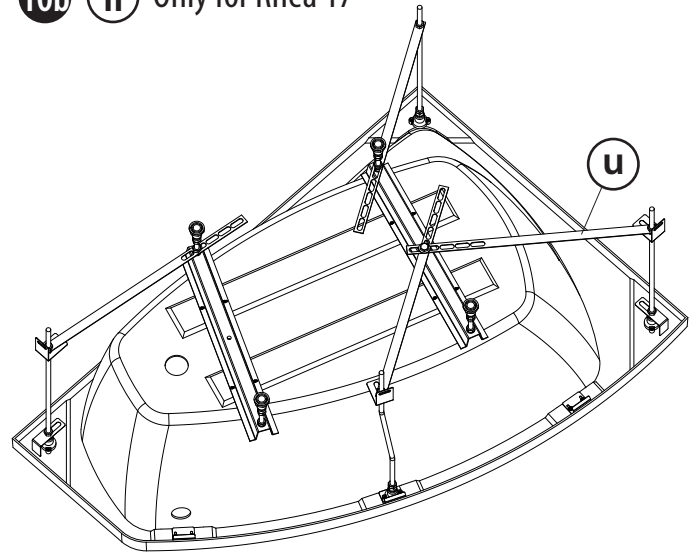
Modular Frame

10a II

- 1x **g**
- 1x **j**
- 7x **f**
- 4x **a**

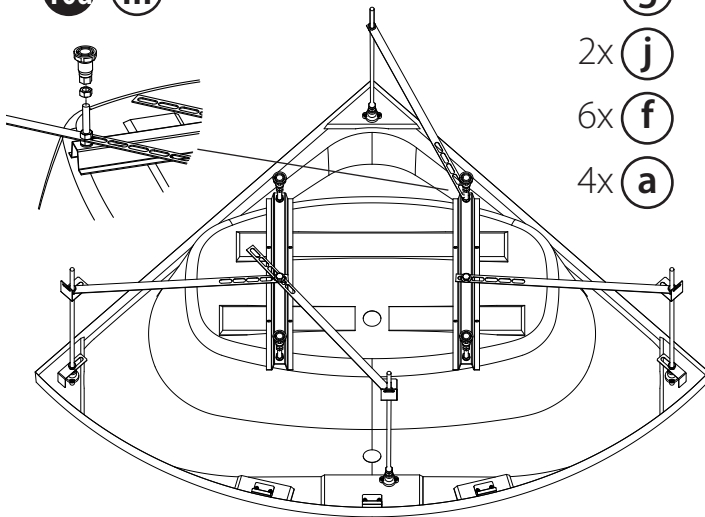


10b II Only for Rhea 17

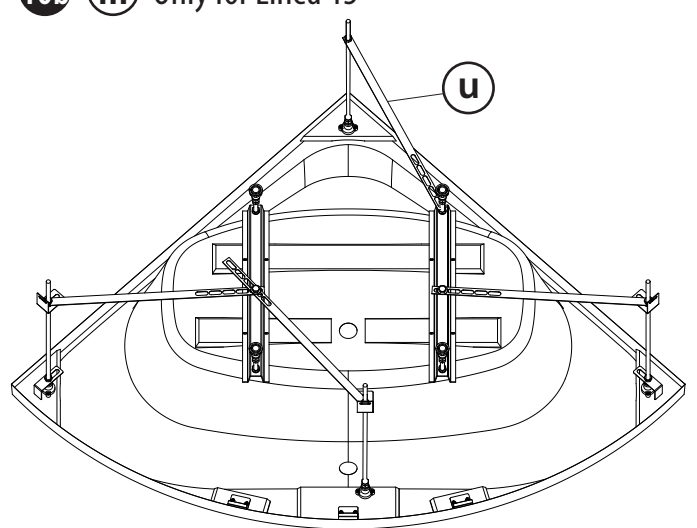


10a III

- 2x **g**
- 2x **j**
- 6x **f**
- 4x **a**

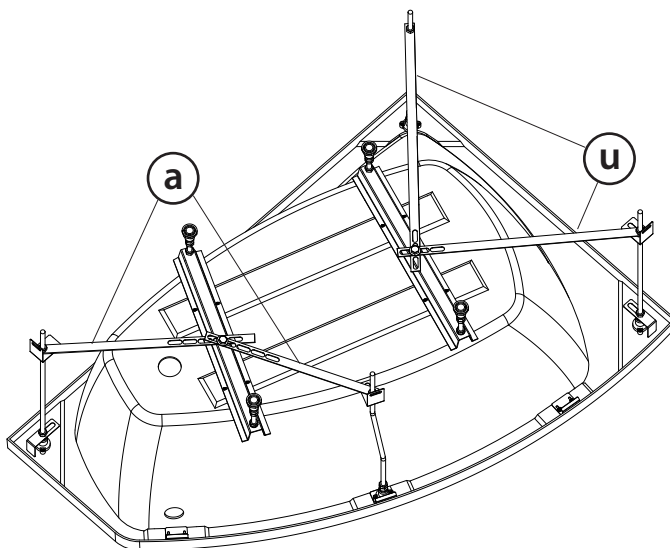


10b III Only for Linea 15



10 IV

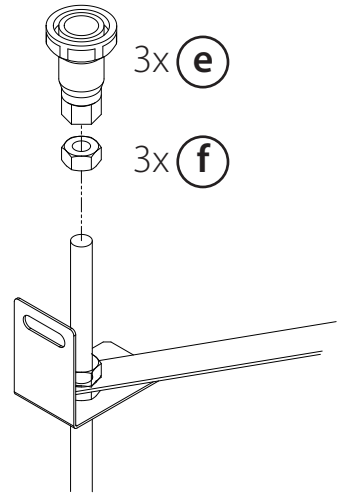
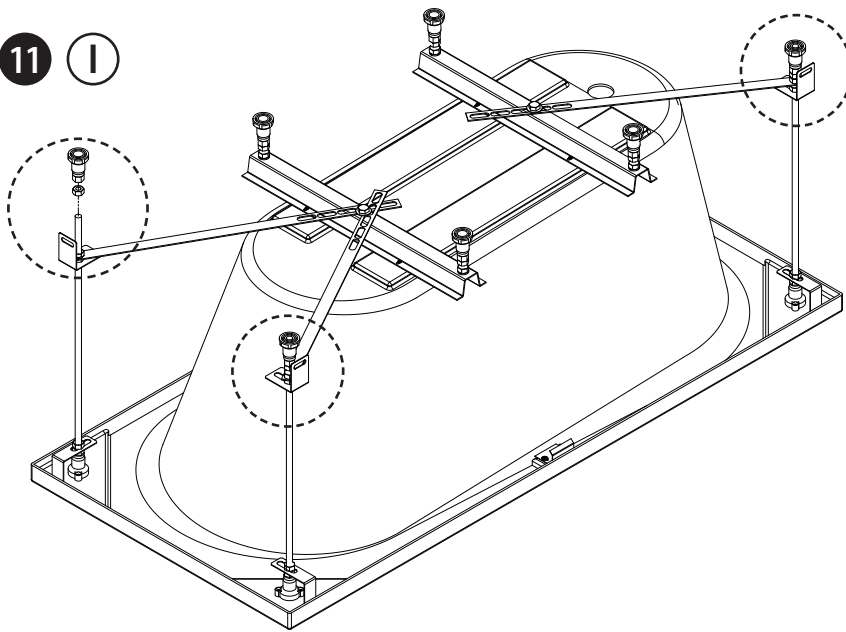
- 2x **g**
- 2x **j**
- 5x **f**
- 2x **a**
- 2x **u**



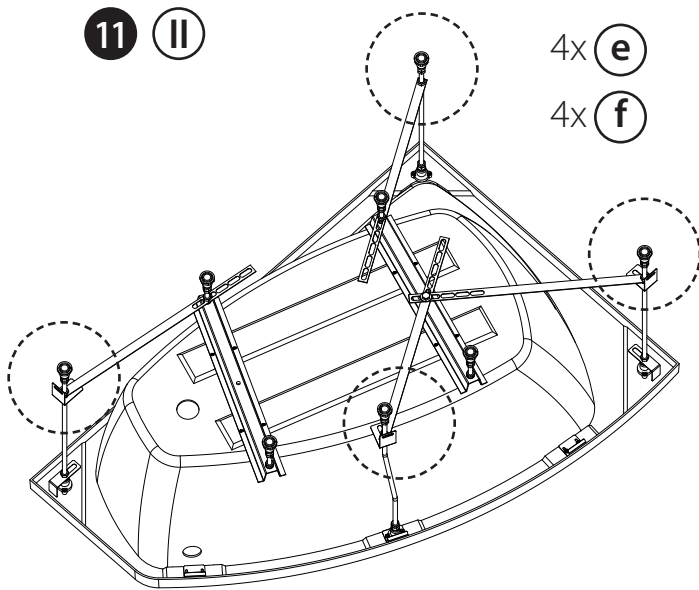
Modular Frame

20100316_modular

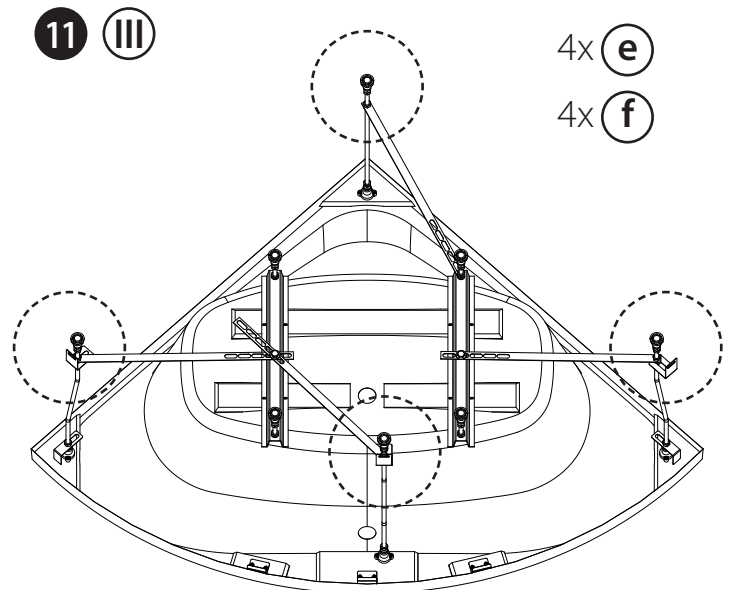
11 I



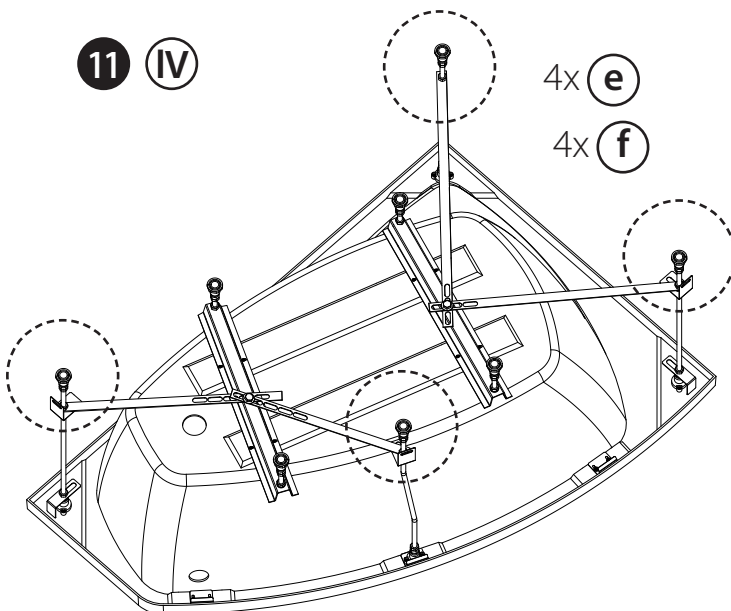
11 II



11 III



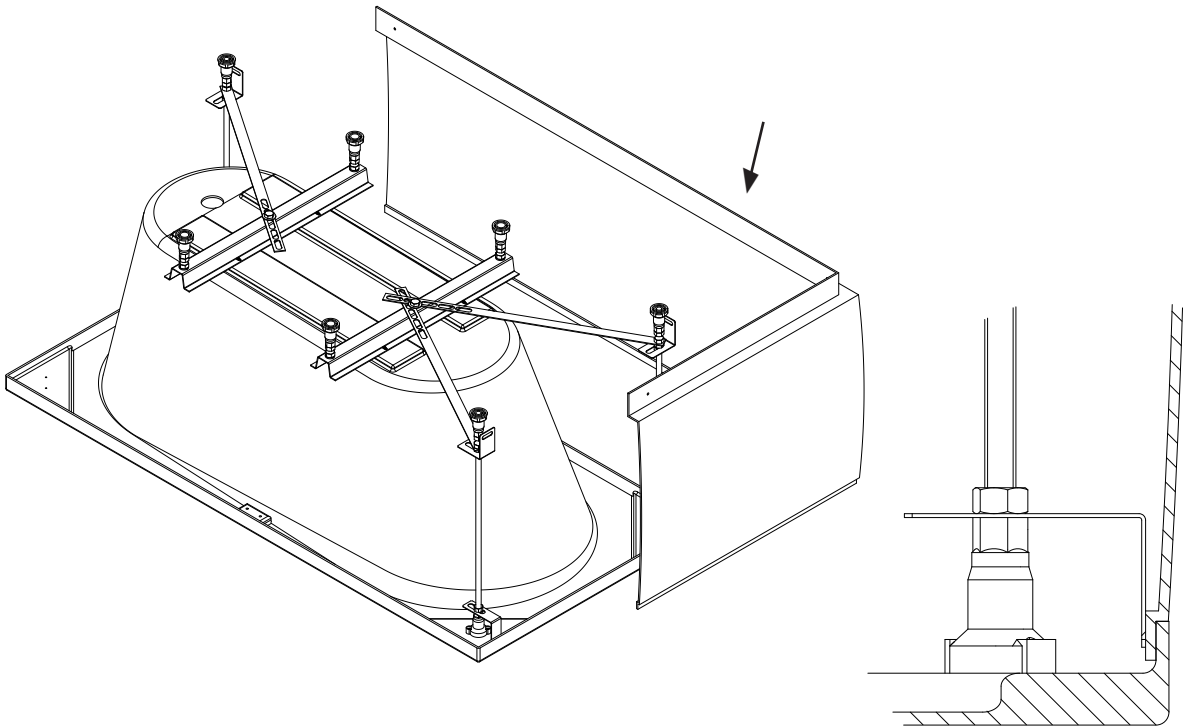
11 IV



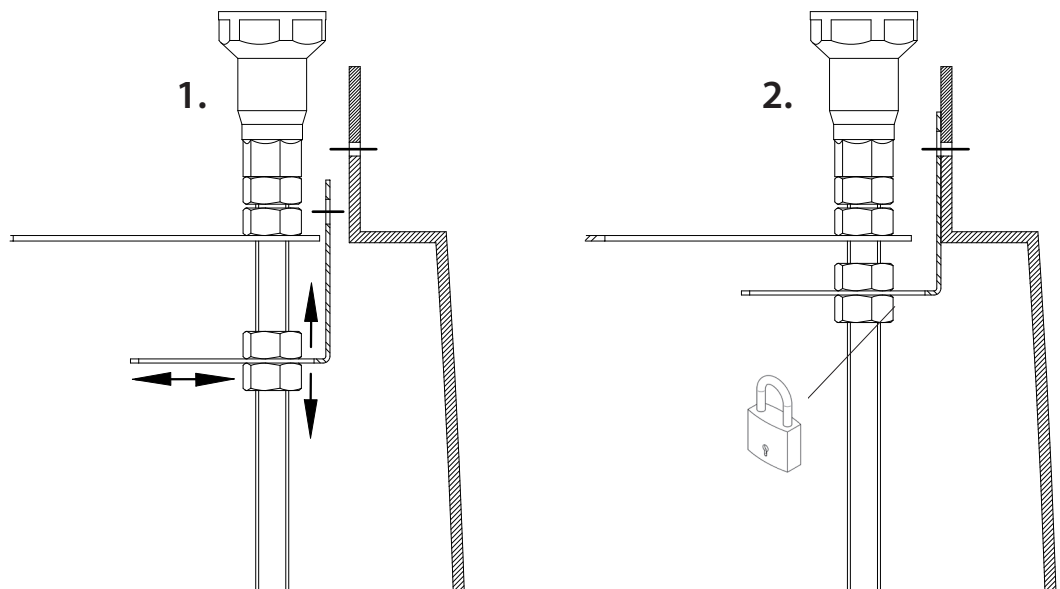
Modular Frame

20100316_modular

12 I II III IV

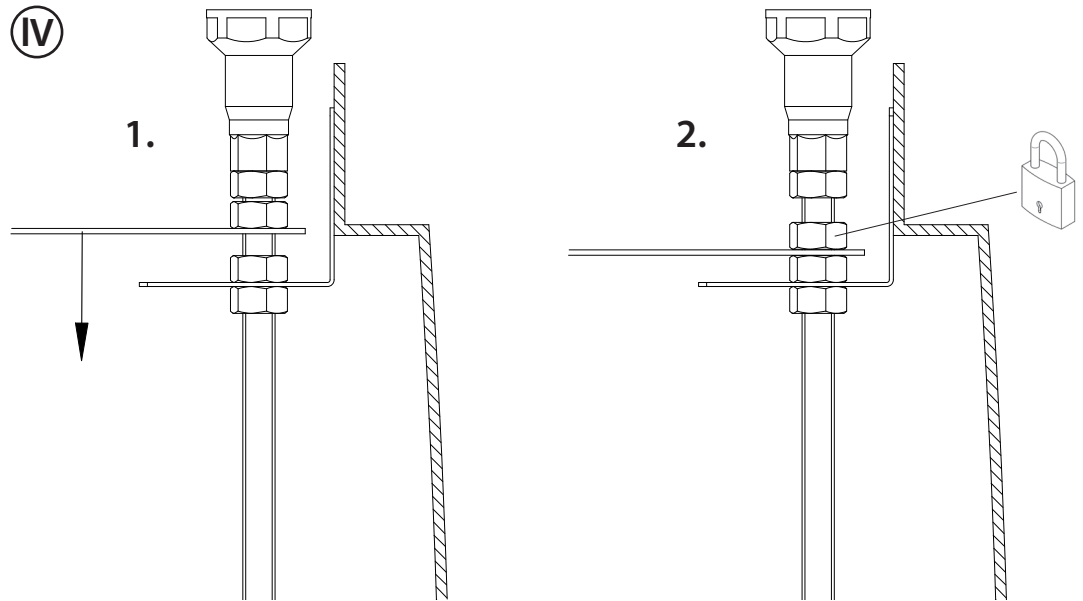


13 I II III IV

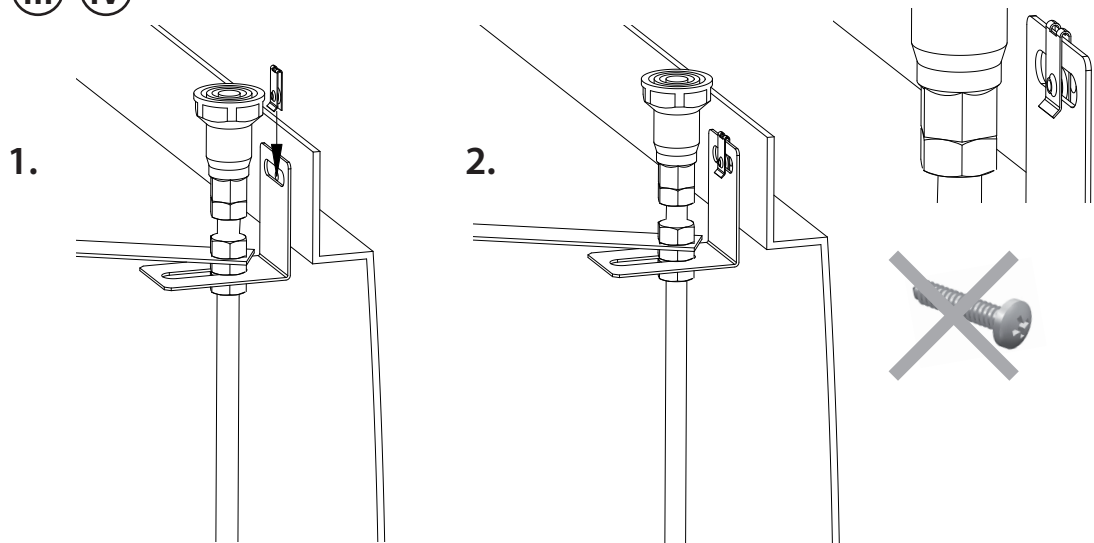


Modular Frame

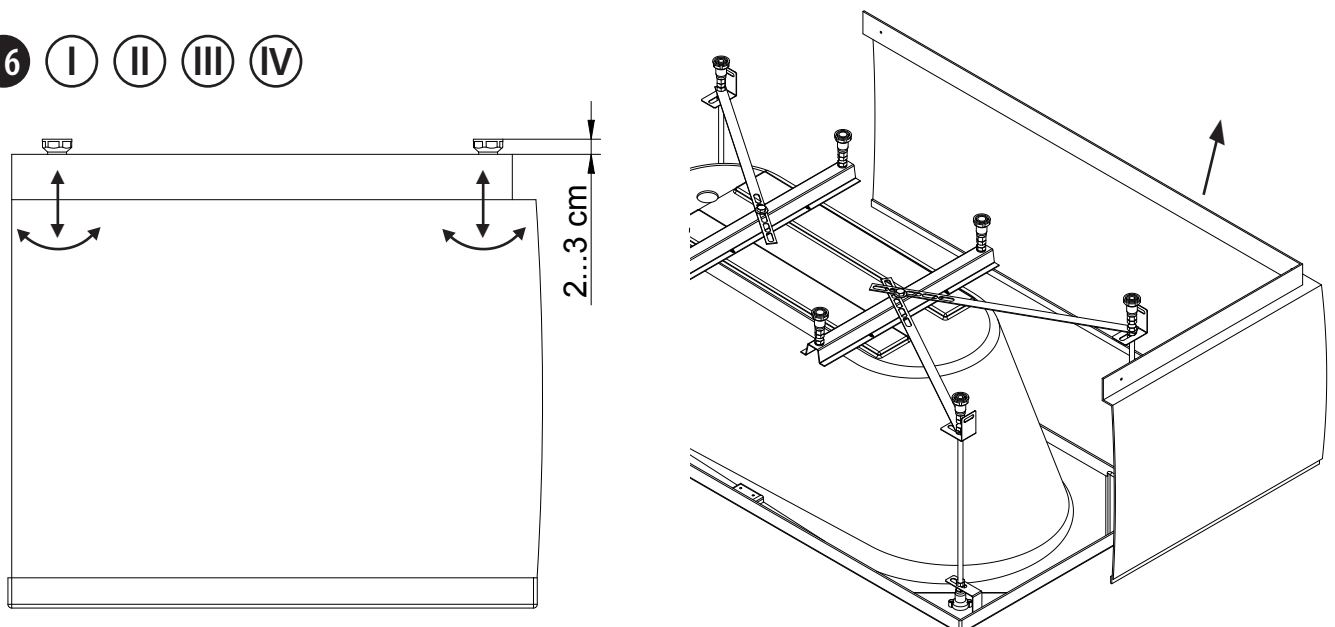
14 I II III IV



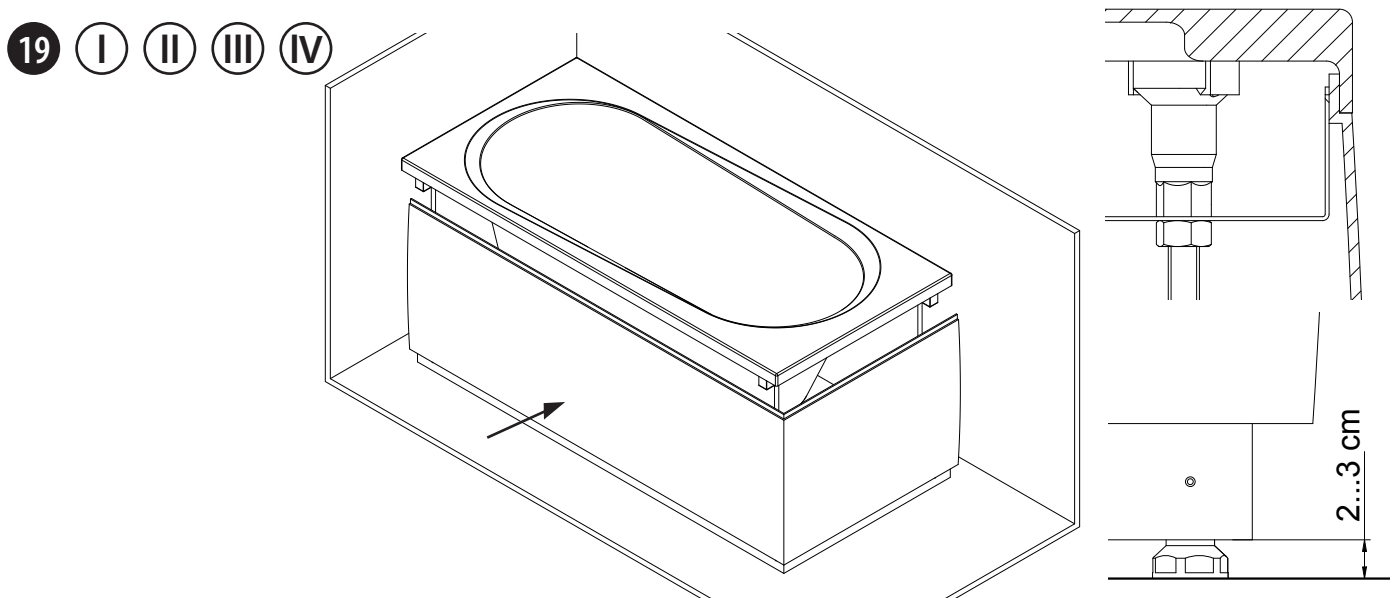
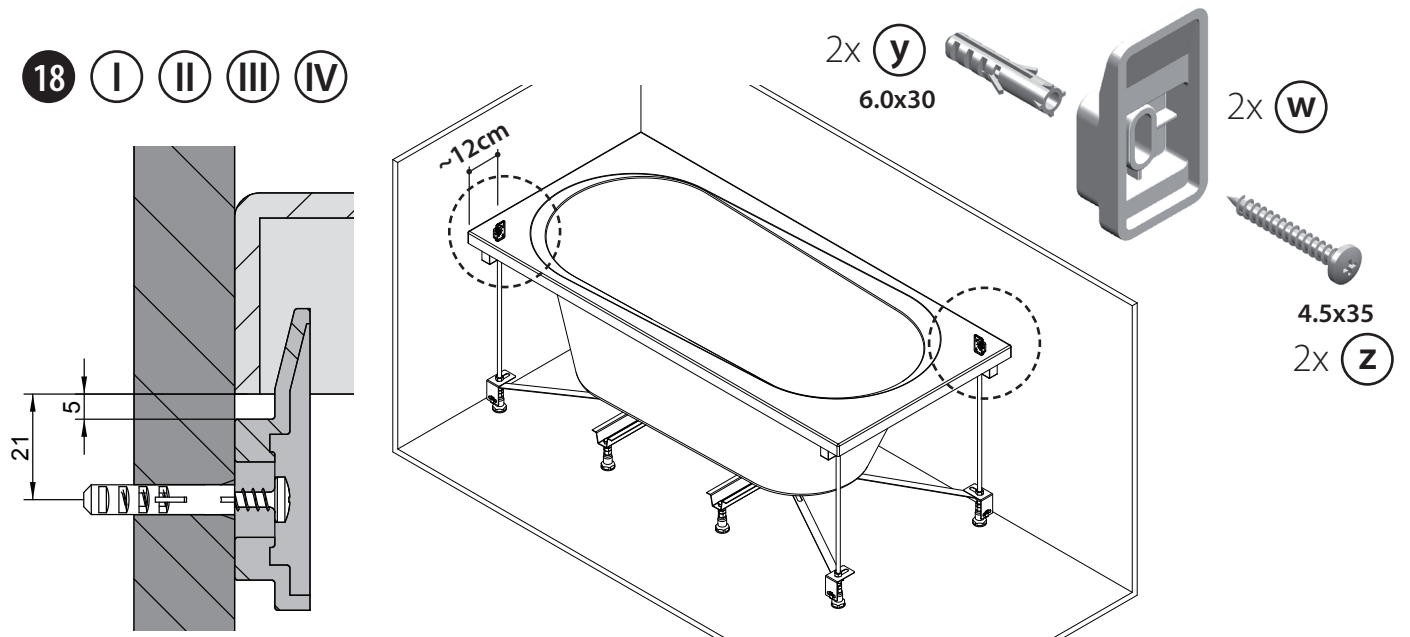
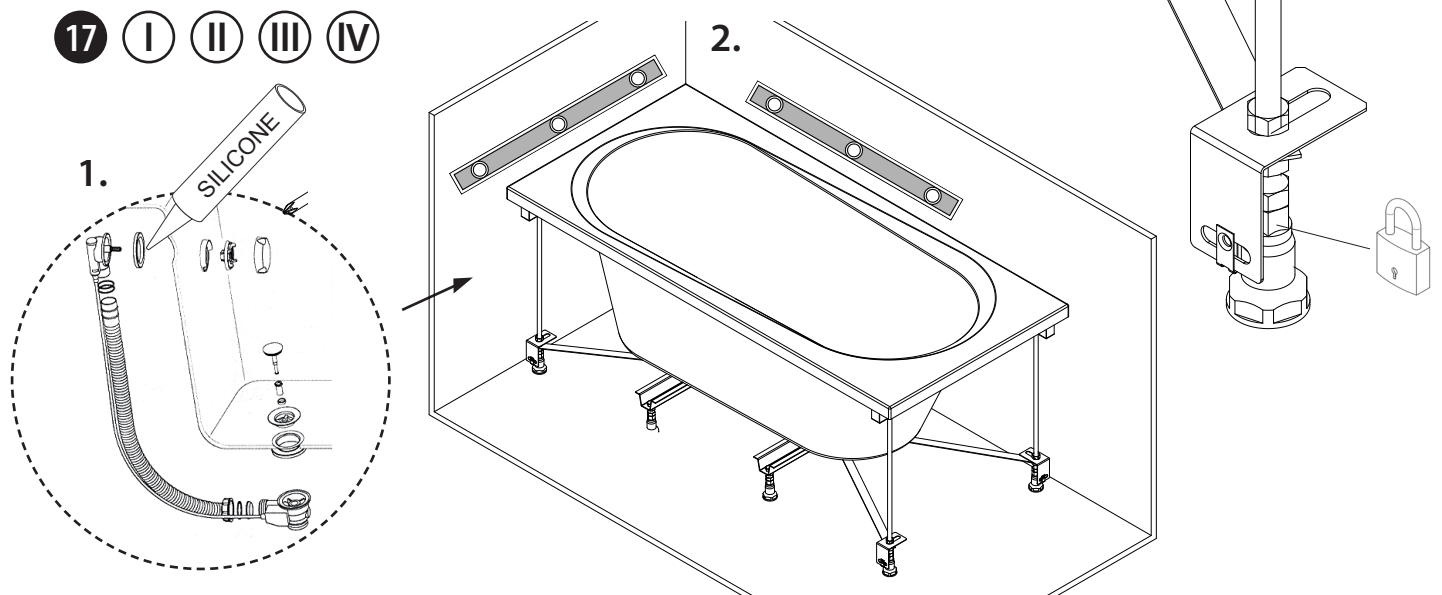
15 I II III IV



16 I II III IV

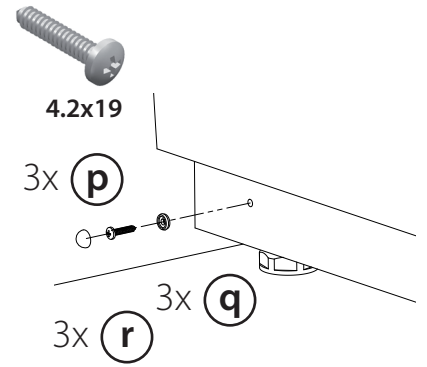
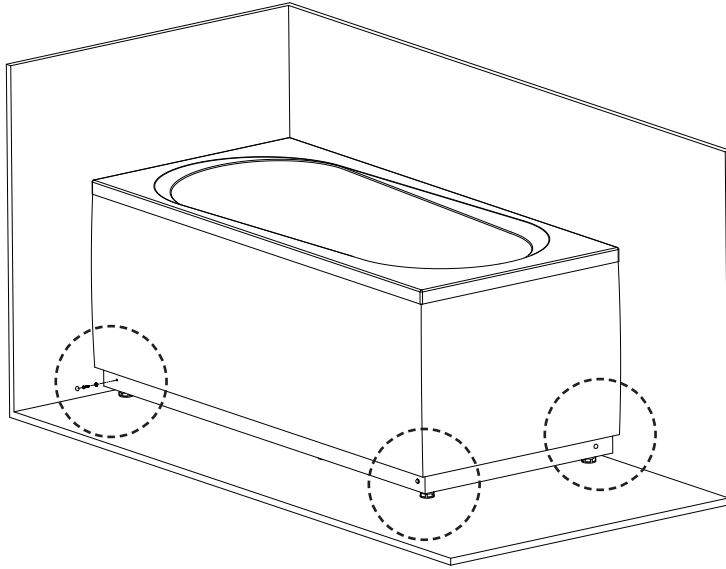


Modular Frame



Modular Frame

20 I II III IV



21 I II III IV

