

## TECHNICAL DATA E-PRO HOT UNITS

### Neutral and heated plate dispenser, PD-series



The E-Pro plate dispensers are part of range off food dispensing units. The capacity, materials and technical features of the plate dispensers are designed to meet the requirements of professional kitchens.



#### GENERAL

- Made of stainless steel
- Ø63.5mm adjustable feet, with a height adjustment range of -40/+15mm
- The stacks of plates are supported by four adjustable bars
- The two-cylinder model holds Ø200...280mm plates and the one-cylinder model Ø230...320mm plates

#### PERFORMANCE

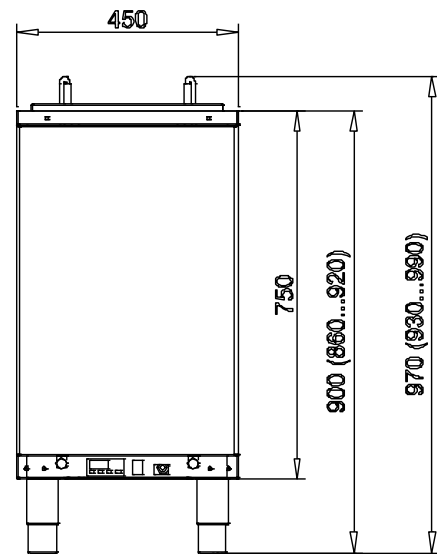
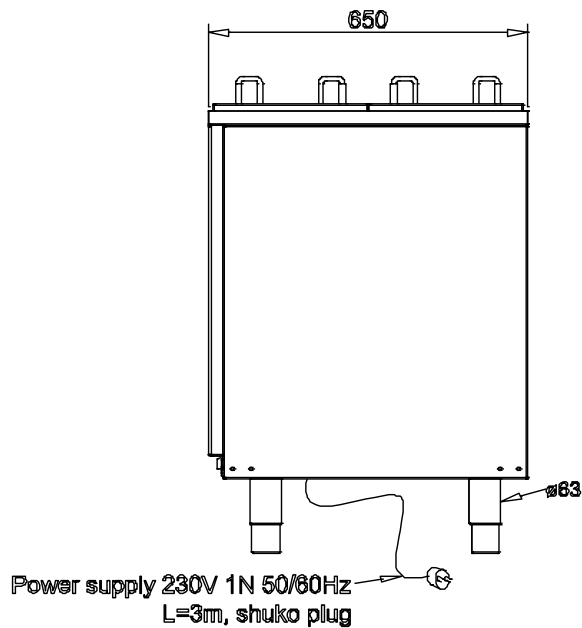
- The heated dispensers include a heating resistor, thermostat control with a digital temperature display and on/off switch
- The temperature can be adjusted between +30 and +50°C
- As an option, the plate dispenser can be equipped with a mobile package for getting plate dispenser trolley. Trolley package include a plastic bumpers on corners, lockable wheels in place of legs and a push handle

#### TECHNICAL FEATURES

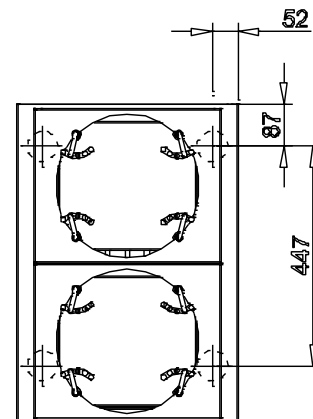
- The hot dispensers come with a 3.0m power cord
- The heating elements include an overheat safety thermostat
- All E-Pro plate dispensers are CE marked



# Heated plate dispenser



PD280H for plates  $\varnothing 200 \dots 280$ mm

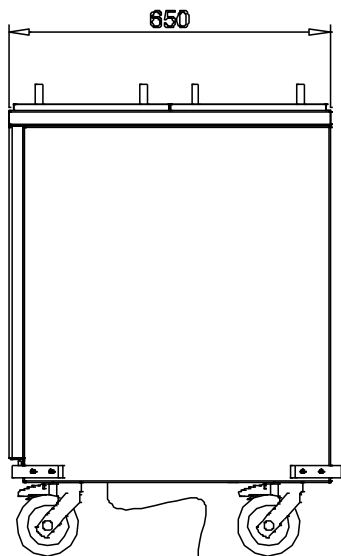


TECHNICAL DATA	
<b>Model</b>	<b>PD280H</b>
External dimensions w x d x h mm	450x650x900
Temperature range °C	+30...+50
Capacity no. of plates	50 + 50
Electrical connection V, Hz	230 1N, 50/60
Connected load W	700
Net weight kg	48
Enclosure class	IP41
Unit volume m <sup>3</sup>	0,4
Unit dimensions mm	
height	1100
width	520
depth	750

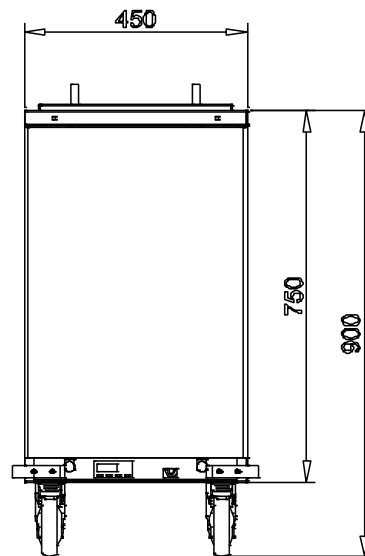
Due to continuous product development we reserve the right to technical changes without notice.



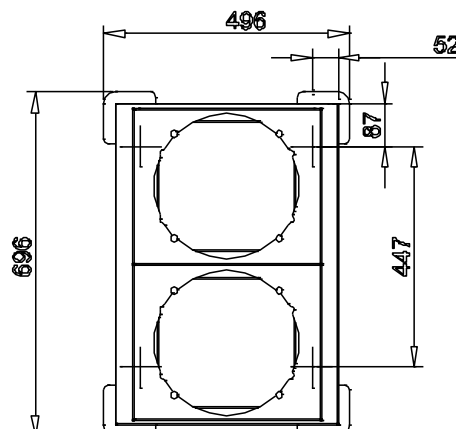
# Heated plate dispenser trolley



Power supply 230V 1N 50/60Hz  
L=3m, shuko plug



PD280H-TR for plates  $\varnothing$ 200...280mm  
PD320H-TR for plates  $\varnothing$ 230...320mm

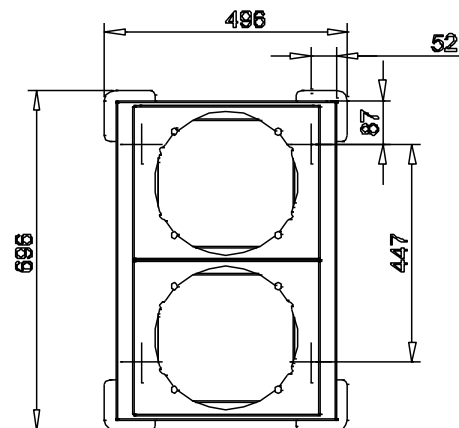
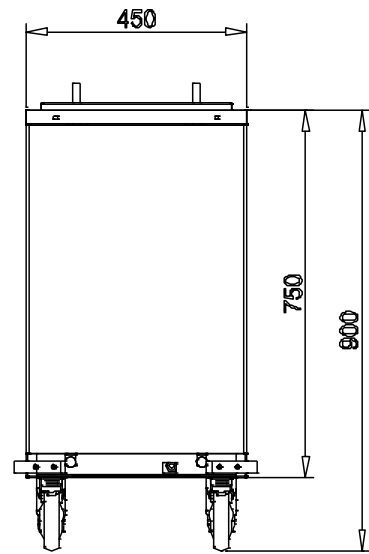
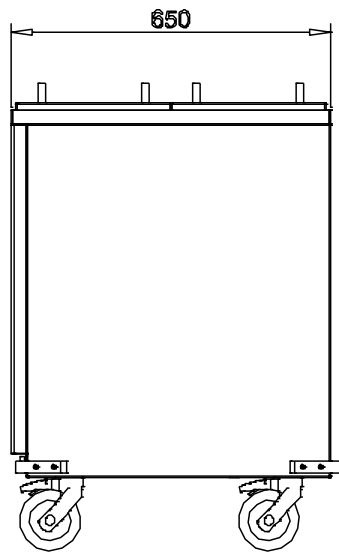


TECHNICAL DATA		
Model	PD280H-TR	PD320H-TR
External dimensions w x d x h mm	450x650x900	450x650x900
Temperature range °C	+30...+50	+30...+50
Capacity no. of plates	50 + 50	50
Electrical connection V, Hz	230 1N, 50/60	230 1N, 50/60
Connected load W	700	700
Net weight kg	48	48
Enclosure class	IP41	IP41
Unit volume m <sup>3</sup>	0,4	0,4
Unit dimensions mm		
height	1100	1100
width	520	520
depth	750	750

Due to continuous product development we reserve the right to technical changes without notice.



# Neutral plate dispenser trolley



PD280N-TR for plates  $\varnothing$ 200...280mm

TECHNICAL DATA	
<b>Model</b>	PD280N-TR
External dimensions w x d x h mm	450x650x900
Capacity no. of plates	50 + 50
Net weight kg	45
Unit volume m <sup>3</sup>	0,4
Unit dimensions mm	
height	1100
width	520

Due to continuous product development we reserve the right to technical changes without notice.

