

TECHNICAL DATA E-PRO HOT UNITS

Heated cabinet, worktop, bainmarie

The E-Pro range of hot units includes bain-maries, heated tops as well as heated cupboards and drawers. The units are designed for maintaining hot food temperature during storage and serving. All units are made of stainless steel and meet the requirements of professional kitchens.



GENERAL

- Products are designed for the short-term storage and serving of hot foods
- All surfaces are made of stainless steel
- Ø63.5mm adjustable feet, with a height adjustment range of -40/+20mm
- GN-sized cupboards and drawers
- Removable slide rails and PVC plastic magnetic gaskets
- The refrigerated wells have hygienic rounded corners and GN1/1 dividers as standard option

PERFORMANCE

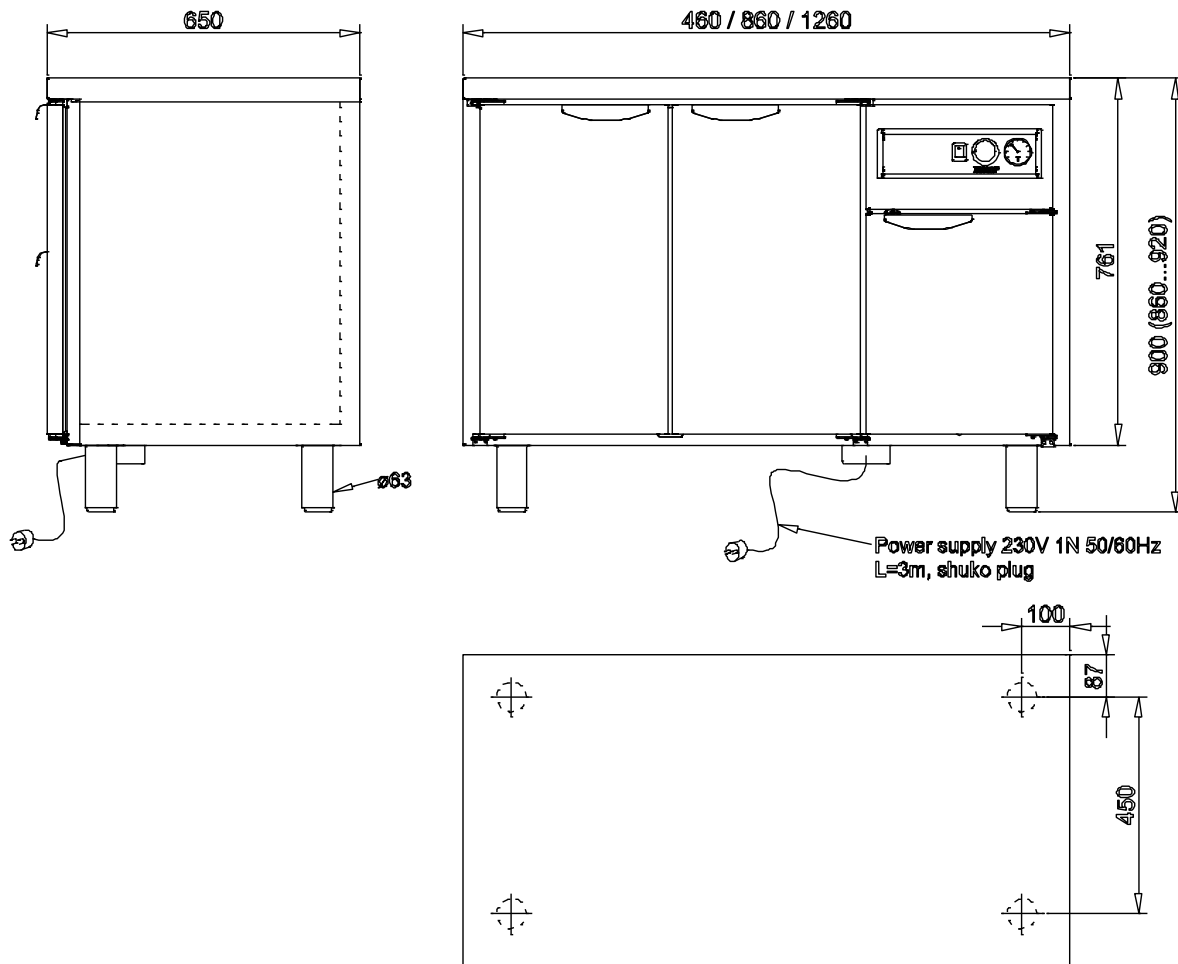
- The temperature can be adjusted between +30 and +75°C on cupboards and heated tops
- The temperature can be adjusted between +60 and +90°C on bain-maries
- The bain-maries heating elements feature powerful resistor mats
- The air circulation fan guarantees even temperature distribution within the unit

TECHNICAL FEATURES

- The units have 42mm thick walls, insulating material polyurethane
- Thermostat control with a cabinet temperature display
- The bain-maries and heated tops feature separate on/off switch
- The ventilation valve prevents condensing
- All E-Pro hot units are CE marked

Heated cabinet, HDNT serie

- Temperature range: **+30...+75°C**
- Unit modules: **1, 2, 3, 4**
- Control panel modules: **P1, P2, P3**



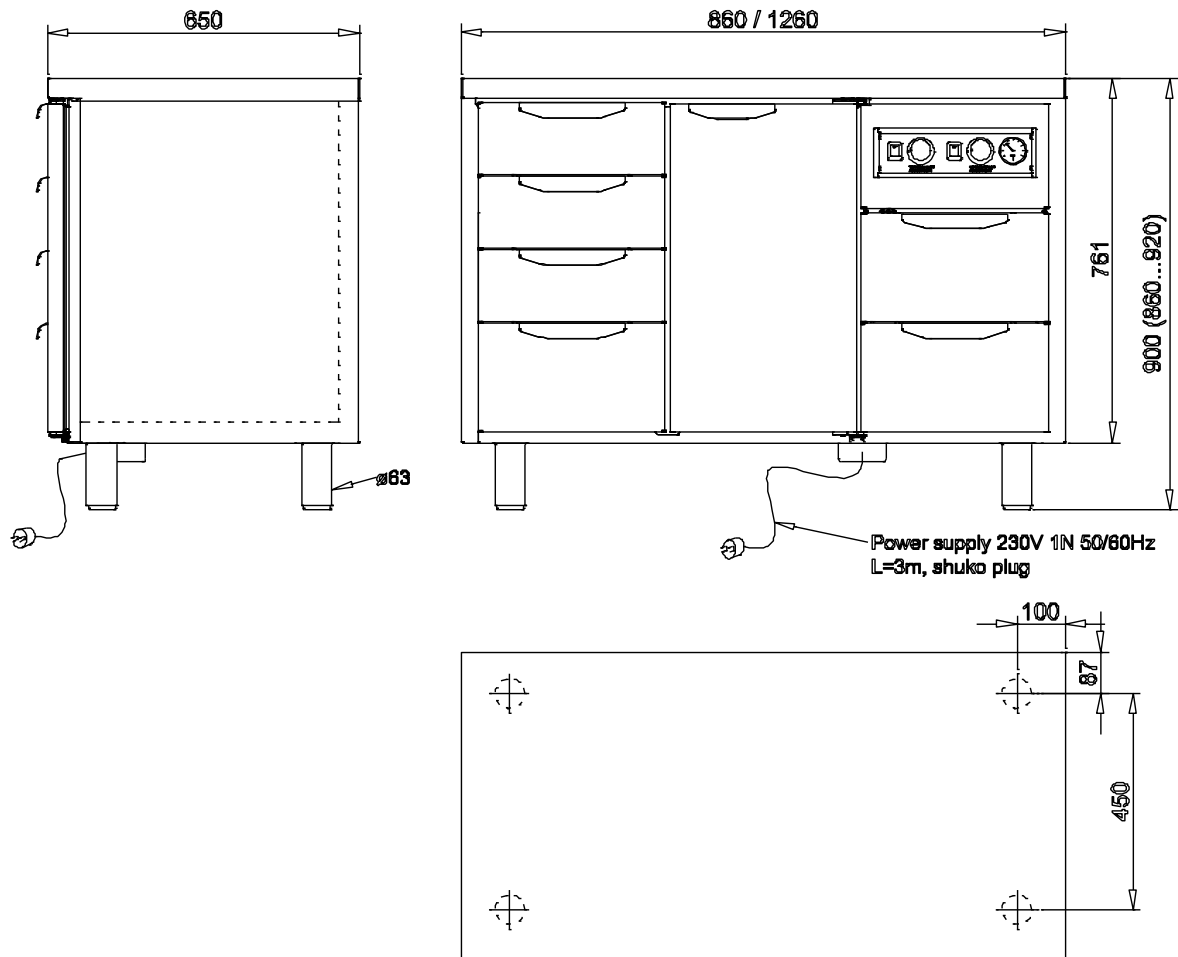
TECHNICAL DATA			
Model	HDNT-P1	HDNT-1-P1	HDNT-1-1-P1
External dimensions w x d x h mm	460x650x900	860x650x900	1260x650x900
Temperature range °C	+30...+75	+30...+75	+30...+75
Internal volume dm ³	132	282	432
Electrical connection V, Hz	230 1N, 50/60	230 1N, 50/60	230 1N, 50/60
Connected load kW	0,35	0,35	0,35
Enclosure class	IP32	IP32	IP32
Net weight kg	70	99	128
Unit volume m ³	0,4	0,7	1,0
Unit dimensions mm			
height	1050	1050	1050
depth	750	750	750
width	500	900	1300

Due to continuous product development we reserve the right to technical changes without notice.

Heated cabinet and worktop, HDHT serie



- Temperature range cupboard: **+30...+75 °C**
- Temperature range heated top: **+30...+75 °C**
- Unit modules: **1, 2, 3, 4**
- Control panel modules: **P1, P2, P3**



TECHNICAL DATA		
Model	HDHT-1-P1	HDHT-1-1-P1
External dimensions w x d x h mm	860x650x900	1260x650x900
Temperature range °C	+30...+75	+30...+75
Internal volume dm ³	282	432
Electrical connection V, Hz	230 1N, 50/60	230 1N, 50/60
Connected load kW	0,60	0,65
Enclosure class	IP32	IP32
Net weight kg	99	128
Unit volume m ³	0,7	1,0
Unit dimensions mm		
height	1050	1050
depth	750	750
width	900	1300

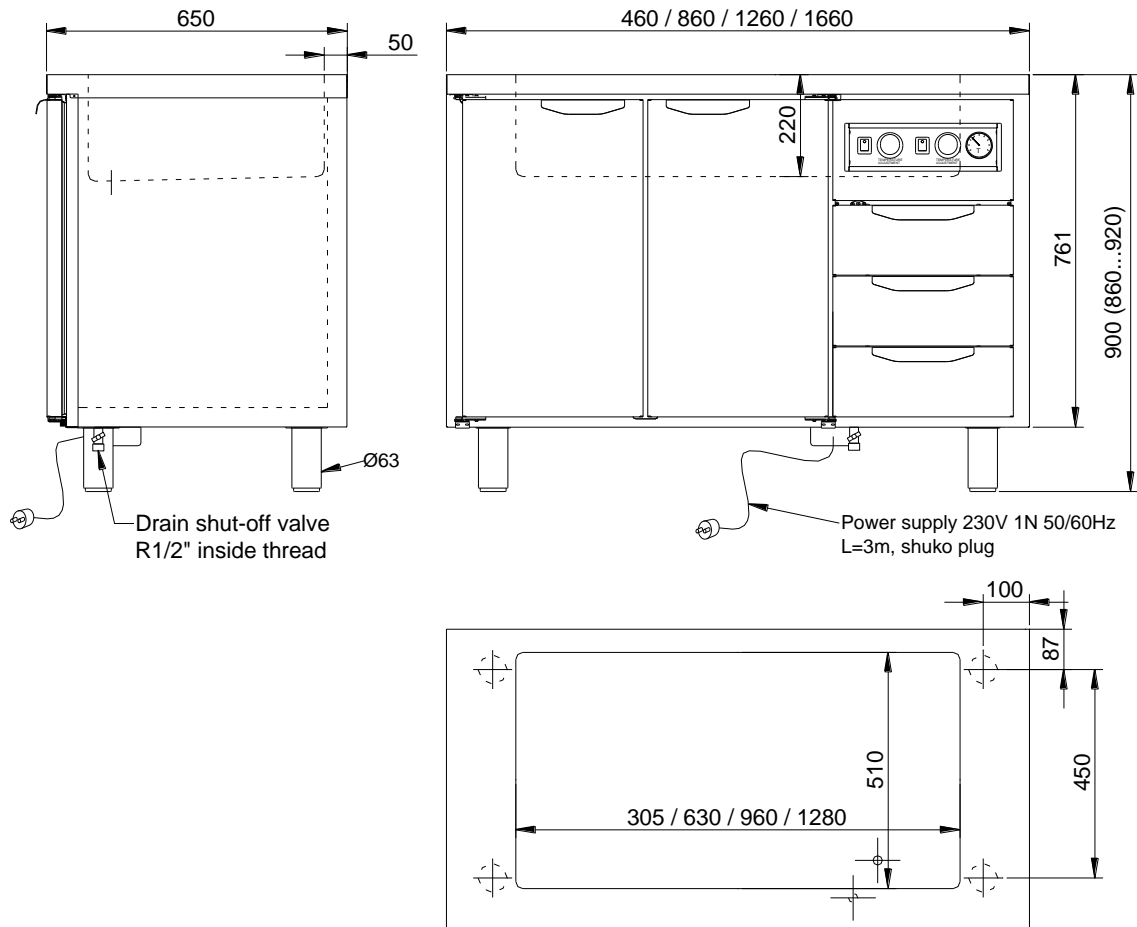
Due to continuous product development we reserve the right to technical changes without notice.



Heated cabinet and bainmarie, HDBM serie



- Temperature range cupboard: **+30...+75 °C**
- Temperature range bain-marie: **+60...+90 °C**
- Unit modules: **1**
- Control panel modules 460 wide model: **P1**
- Control panel modules 860, 1260, 1660 wide models: **P1, P2, P3**



TECHNICAL DATA				
Model	HDBM-P1	HDBM-1-P1	HDBM-1-1-P1	HDBM-1-1-1-P1
External dimensions w x d x h mm	460x650x900	860x650x900	1260x650x900	1660x650x900
Temperature range °C	+30...+90	+30...+90	+30...+90	+30...+90
Internal volume dm ³	132	282	432	582
Electrical connection V, Hz	230 1N, 50/60	230 1N, 50/60	230 1N, 50/60	230 1N, 50/60
Connected load kW	0,85	1,35	2,35	2,70
Enclosure class	IP32	IP32	IP32	IP32
Net weight kg	70	99	128	157
Unit volume m ³	0,4	0,7	1,0	1,3
Unit dimensions mm				
height	1050	1050	1050	1050
depth	750	750	750	750
width	500	900	1300	1700

Due to continuous product development we reserve the right to technical changes without notice.

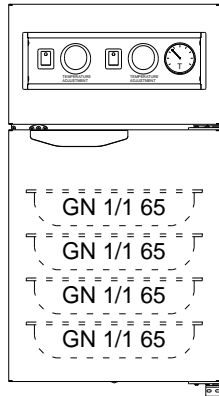




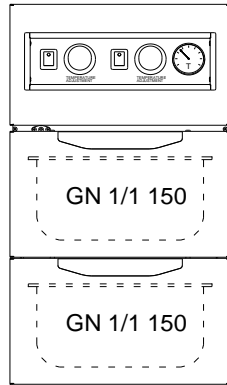
MODULES

Control panel modules

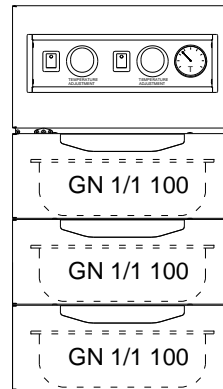
- P1** Control panel module with a closed door, two removable shelves and four pairs of removable self brackets
- P2** Control panel module with two drawers sized for GN 1/1 150mm containers
- P3** Control panel module with three drawers sized for GN 1/1 100mm containers



P1



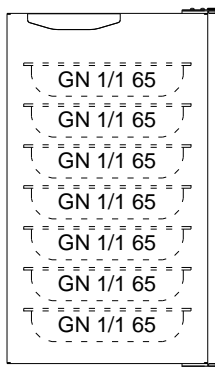
P2



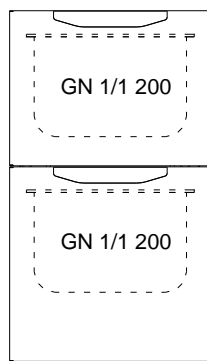
P3

Unit modules

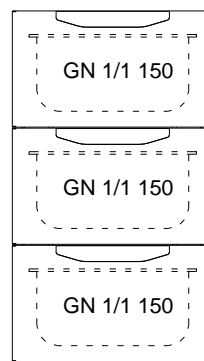
- 1** Cupboard with a closed door, two removable shelves and seven pairs of removable self brackets. (on HDBM serie four pairs of removable self brackets)
- 2** 2 drawers for GN 1/1 200mm containers
- 3** 3 drawers for GN 1/1 150mm containers
- 4** 1 drawer for a GN 1/1 150mm container and 3 drawers for GN 1/1 100mm containers



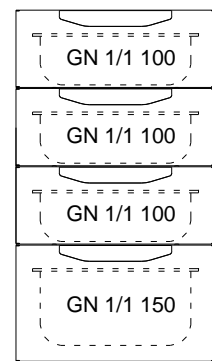
1



2



3



4

