

TECHNICAL DATA E-PRO ECONOMY COLD UNITS



Refrigerated water dispenser

The E-Pro water dispensers are part of range off food dispensing units. The capacity, materials and technical features of the water dispensers are designed to meet the requirements of professional kitchens.



GENERAL

- Made of stainless steel
- Ø63.5mm adjustable feet, with a height adjustment range of -40/+20mm
- E-Pro water dispensers are equipped with a mechanical tap
- Equipped with a water bowl and crate

PERFORMANCE

- Maximum cooled water yield 45 litres, and continuous 9 litres per hour
- Cooled water temperature between +3 and +10°C
- Ice bank ensures the availability of cooled drinking water in continuous use

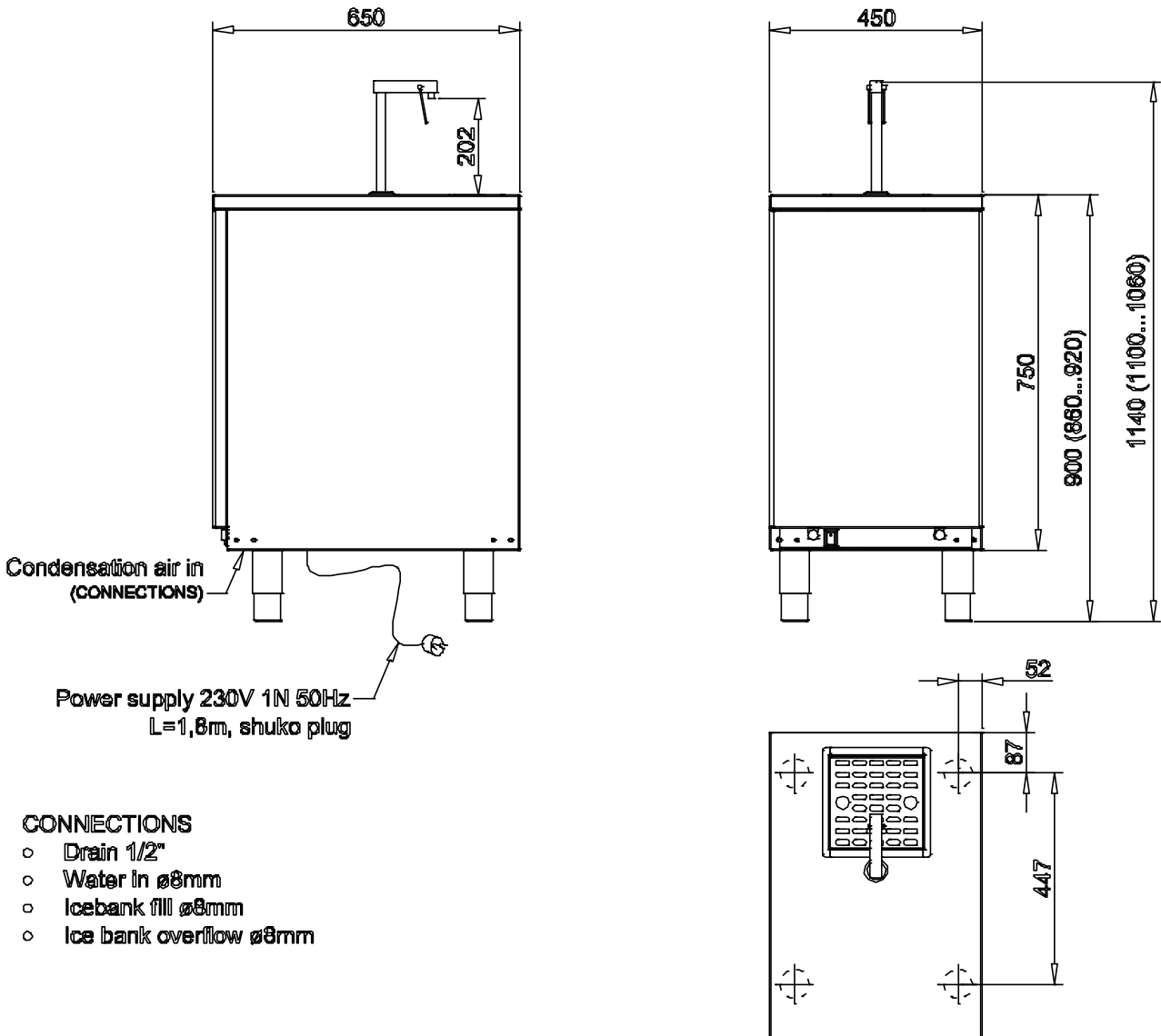
TECHNICAL FEATURES

- CFC and HCFC free
- Refrigerant R134
- All E-Pro drop-in units are CE marked





Refrigerated water dispenser



CONNECTIONS

- Drain 1/2"
- Water in ø8mm
- Icebank fill ø8mm
- Ice bank overflow ø8mm

TECHNICAL DATA	
Model	ECWDM
External dimensions w x d x h	450x650x1140
Water yield l/h	45
Water yield in continuous use l/h	9
Ice bank 4.5kg	included
Temperature range °C	+3...+10
Type refrigerant, g	R134, n/a
Electrical connection V, Hz	230 1N, 50
Connected load W	180
Enclosure class	IP32
Net weight kg	55
Unit volume m ³	0,5
Unit dimensions mm	
height	1300
width	500
depth	700

Due to continuous product development we reserve the right to technical changes without notice.

