

TECHNICAL DATA E-PRO ECONOMY DROP-IN UNITS



Drop-in refrigerated well, cold plate

The E-Pro drop-in unit range offers all the equipment needed for a complete and effective self-service line. The top quality units, sized to take GN containers, are compact in size and come equipped with a separate digital control panel.



GENERAL

- E-Pro's drop-in refrigerated wells are designed for food service use and maintaining cold food temperature
- The exposed surfaces have a seamless finish
- The separate control panel has a connector and is easy to install
- There are plenty of accessories available, such as different types of over shelves

PERFORMANCE

- The digital control panel features an on/off switch and a temperature display
- The temperature can be adjusted between +2 and +15°C
- As a standard feature, the package contains divider bars for GN 1/1 containers

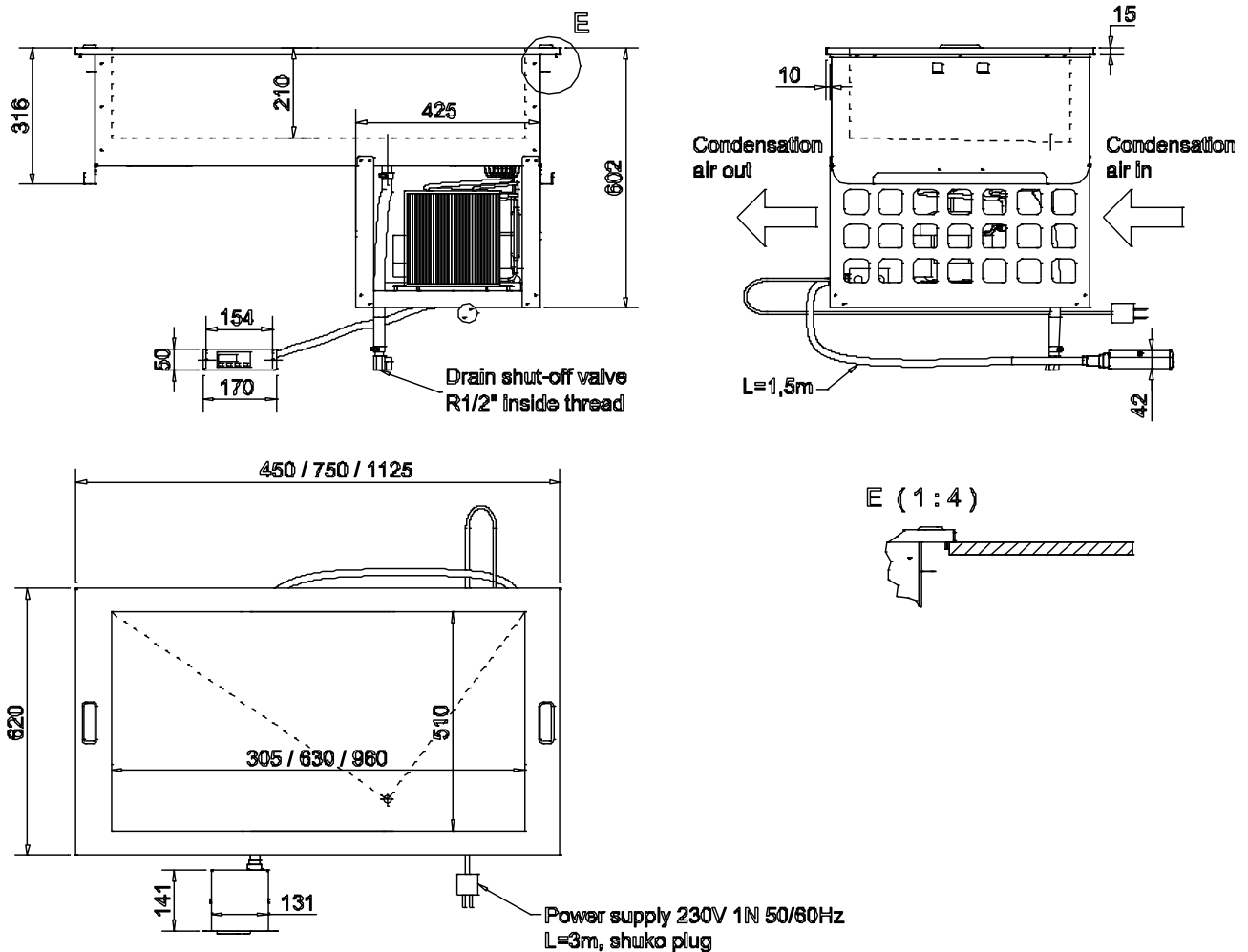
TECHNICAL FEATURES

- The wells are lined with 30mm polyurethane insulation
- The units are fitted with a 3m and the control panel with a 1.5m power cord
- CFC and HCFC free
- Refrigerant R404a
- HACCP connection is optionally available
- All E-Pro drop-in units are CE marked





Drop-in refrigerated well



MODEL	CUT-OUT mm
EC D-I 04 C	435 x 604
EC D-I 07 C	735 x 604
EC D-I 11 C	1110 x 604

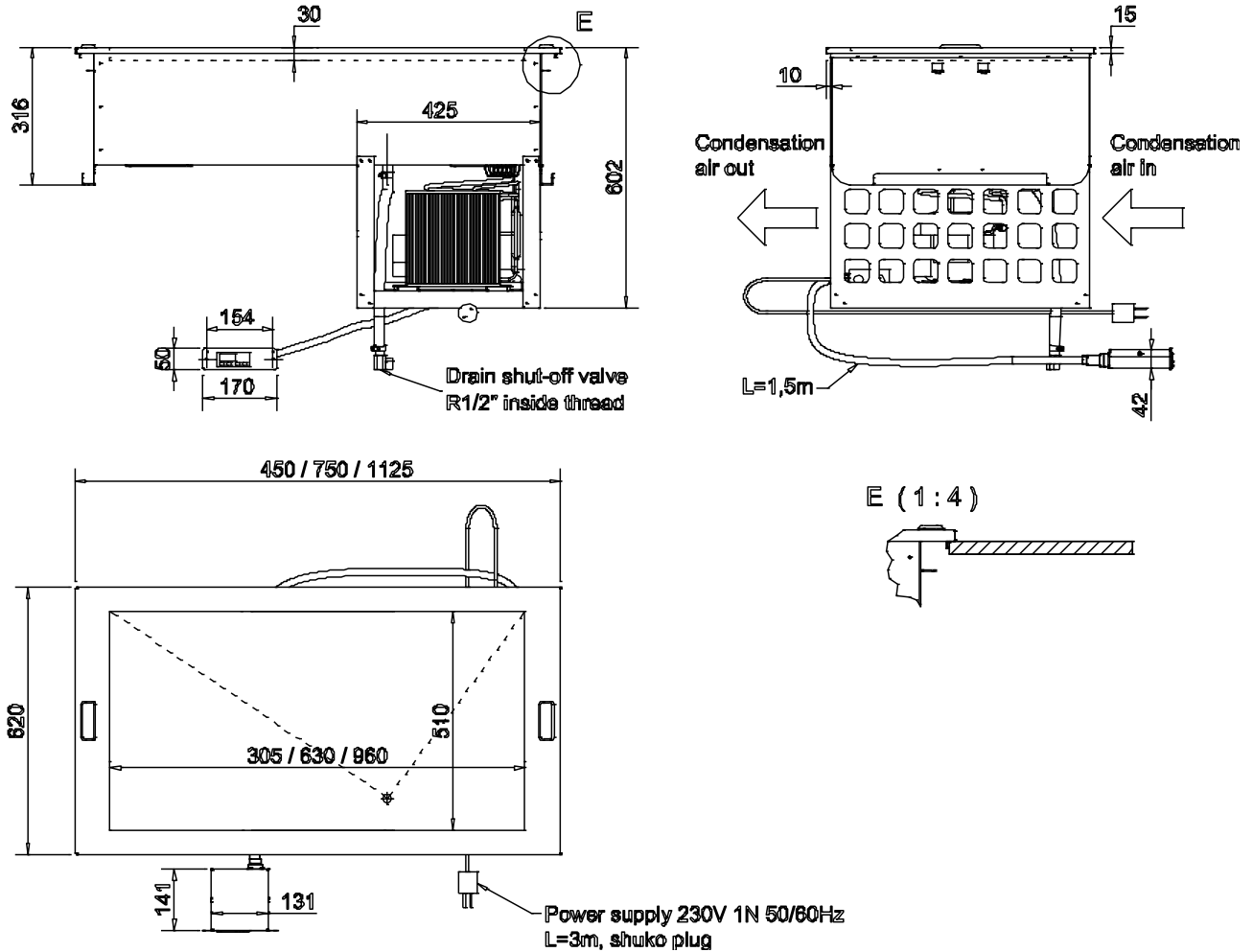
TECHNICAL DATA			
Model	EC D-I 04 C	EC D-I 07 C	EC D-I 11 C
External dimensions w x d x h mm	450x620x602	750x620x602	1125x620x602
Temperature range °C	+2...+15	+2...+15	+2...+15
Electrical connection V, Hz	230 1N, 50/60	230 1N, 50/60	230 1N, 50/60
Connected load kW	0,4	0,4	0,4
Enclosure class	IP44	IP44	IP44
Type of refrigerant, g	R404a, 200	R404a, 200	R404a, 250
HACCP option	included	included	included
Net weight kg	28	33	39
Unit volume m ³	0,3	0,5	0,7
Unit dimensions mm			
height	770	770	770
depth	800	800	800
width	480	770	1150

Due to continuous product development we reserve the right to technical changes without notice.





Drop-in refrigerated cold plate



MODEL	CUT-OUT mm
EC D-I 04 T	435 x 604
EC D-I 07 T	735 x 604
EC D-I 11 T	1110 x 604

TECHNICAL DATA			
Model	EC D-I 04 T	EC D-I 07 T	EC D-I 11 T
External dimensions w x d x h mm	450x620x602	750x620x602	1125x620x602
Temperature range °C	+2...+15	+2...+15	+2...+15
Electrical connection V, Hz	230 1N, 50/60	230 1N, 50/60	230 1N, 50/60
Connected load kW	0,4	0,4	0,4
Enclosure class	IP44	IP44	IP44
Type of refrigerant, g	R404a, 200	R404a, 200	R404a, 250
HACCP option	included	included	included
Net weight kg	28	33	39
Unit volume m ³	0,3	0,5	0,7
Unit dimensions mm			
height	770	770	770
depth	800	800	800
width	480	770	1150

Due to continuous product development we reserve the right to technical changes without notice.

