

## TECHNICAL DATA E-PRO ECONOMY DROP-IN UNITS



### Drop-in basket dispenser

The E-Pro drop-in unit range offers all the equipment needed for a complete and effective self-service line. The top quality units, sized to take GN containers, are compact in size and come equipped with a separate digital control panel.



#### GENERAL

- E-Pro's basket dispenser is designed for the display of standard-sized glassware baskets as part of a self-service line
- Material stainless steel with a seamless finish on visible surfaces
- The removable top is easy to clean

#### PERFORMANCE

- The dispenser have lifting springs that can be adjusted according to the weight of the baskets
- Hygienic thanks to the enclosed casing

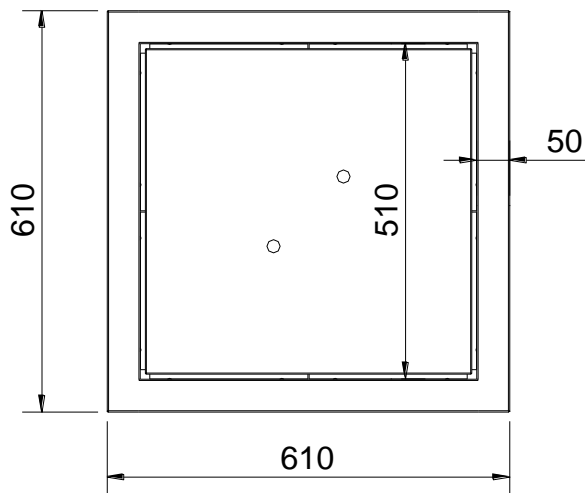
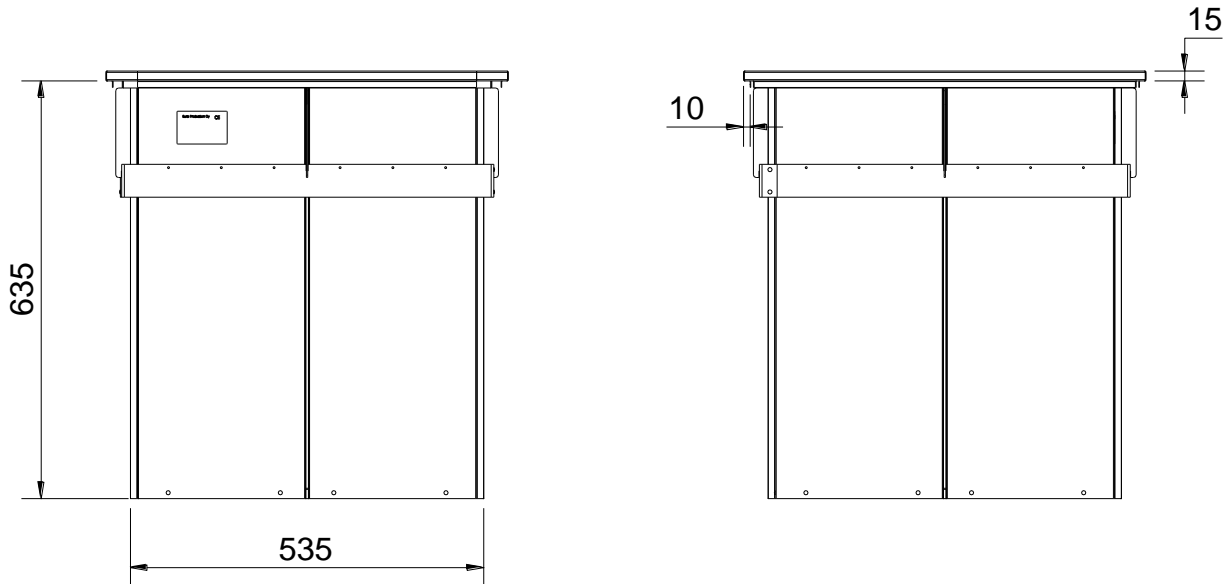
#### TECHNICAL FEATURES

- The basket dispenser is sized to hold 500 x 500mm baskets for glassware
- All E-Pro drop-in units are CE marked





# Drop-in basket dispenser



For baskets 500 x 500 mm

MODEL      CUT-OUT mm  
 EC D-I BD N    595 x 595

TECHNICAL DATA	
Model	EC D-I BD N
External dimensions w x d x h mm	610x610x650
Net weight kg	19
Unit volume m <sup>3</sup>	0,4
Unit dimensions mm	
height	800
depth	700
width	700

Due to continuous product development we reserve the right to technical changes without notice.

